

[54] SUNTANNING POOL

[76] Inventor: Mary M. O'Brien, 285 S. Pershing, Wichita, Kans. 67218

[\*\*] Term: 14 Years

[21] Appl. No.: 912,618

[22] Filed: Sep. 29, 1986

[52] U.S. Cl. .... D24/39; D24/38

[58] Field of Search ..... D23/277-282; D24/38, 39; 4/496, 513, 541, 542, 573, 575, 589, 615; 5/449; 128/366

[56] References Cited

U.S. PATENT DOCUMENTS

D. 233,262	10/1974	Tersch et al. ....	D24/38
D. 245,541	8/1977	Melchior .....	D24/38
D. 245,542	8/1977	Melchior .....	D24/38
D. 265,759	8/1982	Weber .....	D24/38
D. 266,788	11/1982	DuBois et al. ....	D24/38
D. 267,430	12/1982	Lee .....	D24/38
D. 270,760	9/1983	Wiley .....	D24/38
D. 293,376	12/1987	Blackwell .....	D24/39
1,512,068	10/1924	Thornburg .....	4/589 X
2,828,489	4/1958	Baker .....	4/589
3,170,172	2/1965	Kessman .....	5/449 X
3,688,775	9/1972	Raymann .....	128/366

3,793,653	2/1974	Brooks .....	4/513
3,835,482	9/1974	Tersch .....	4/573
3,969,776	7/1976	Gildea .....	4/575 X
4,151,618	5/1979	Carpenter .....	4/546 X
4,216,552	8/1980	Gurolnick .....	4/584 X
4,466,141	8/1984	Starkey .....	4/492 X
4,561,135	12/1985	Adriaansen .....	4/572
4,648,143	3/1987	Breaux et al. ....	4/615 X
4,674,370	2/1978	Harmong, III .....	4/545

Primary Examiner—James R. Largen  
Attorney, Agent, or Firm—John Wade Carpenter

[57] CLAIM

The ornamental design for a suntanning pool, as shown and described.

DESCRIPTION

FIG. 1 is a perspective view of a suntanning pool showing my new design;  
FIG. 2 is a top plan view thereof;  
FIG. 3 is a bottom plan view thereof;  
FIG. 4 is a side elevational view thereof;  
FIG. 5 is an elevational view thereof taken from the side opposite that shown in FIG. 4;  
FIG. 6 is an end elevational view thereof; and,  
FIG. 7 is an elevational view thereof, taken from the end opposite that shown in FIG. 6.

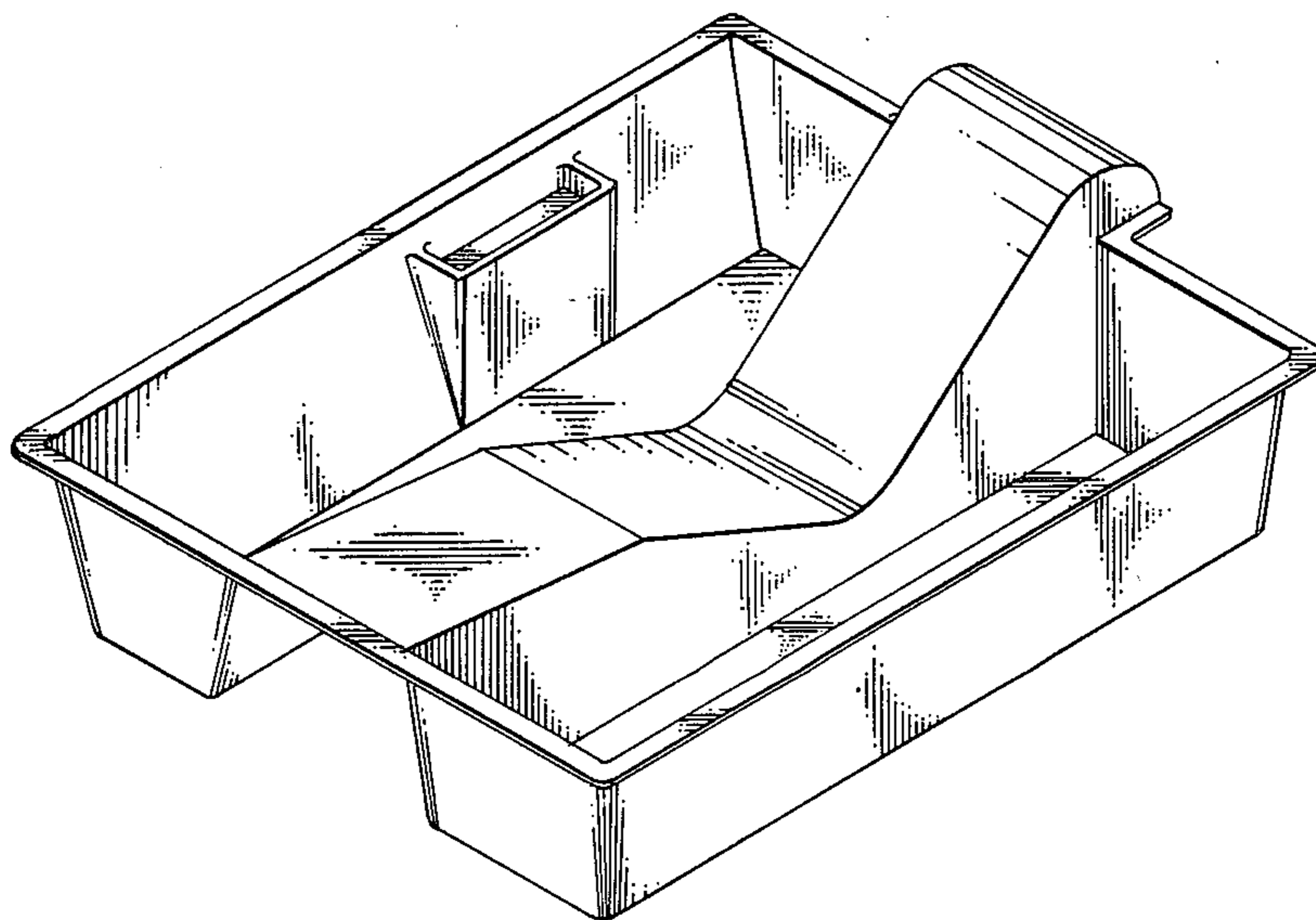


FIG. 1

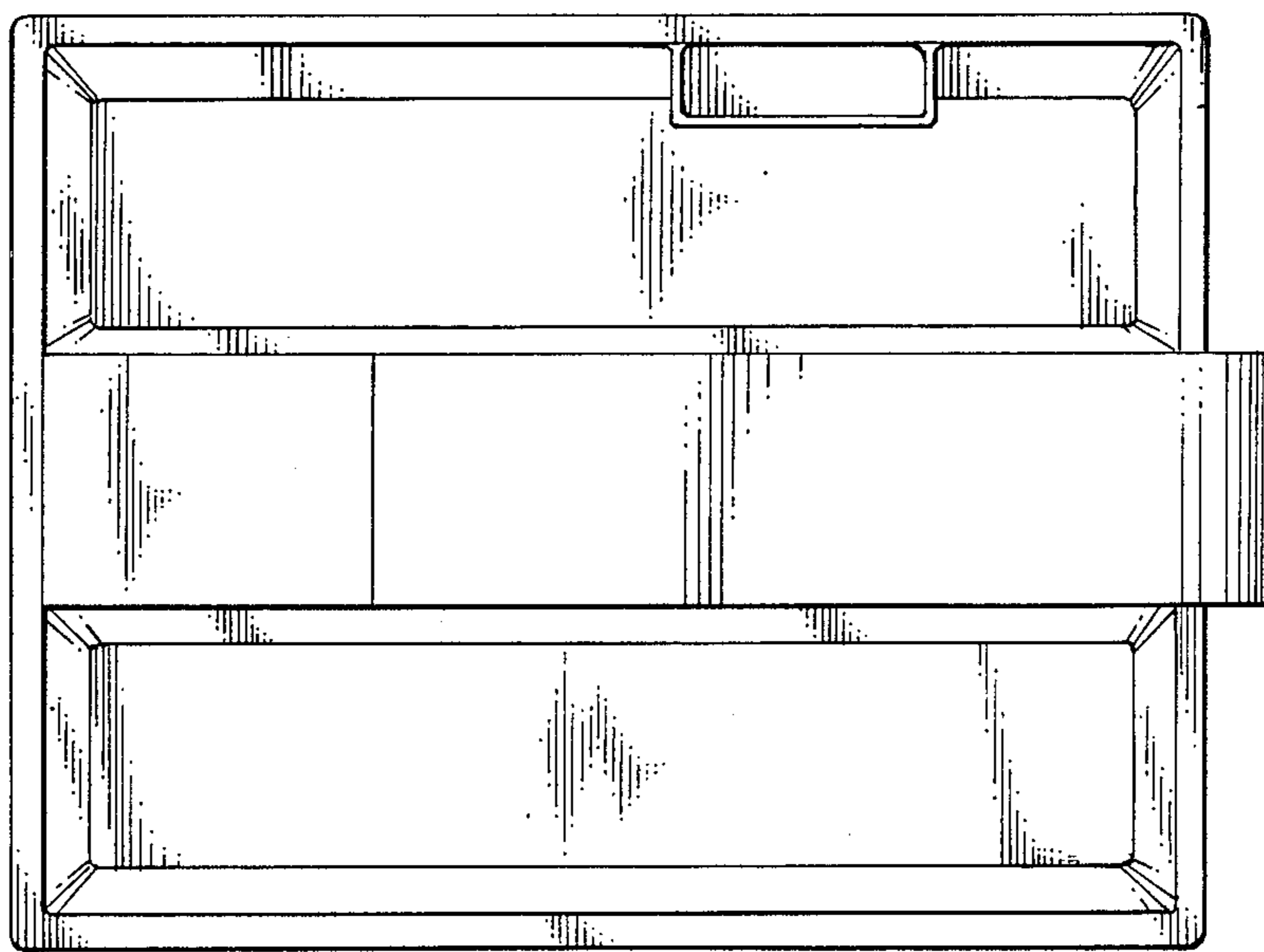
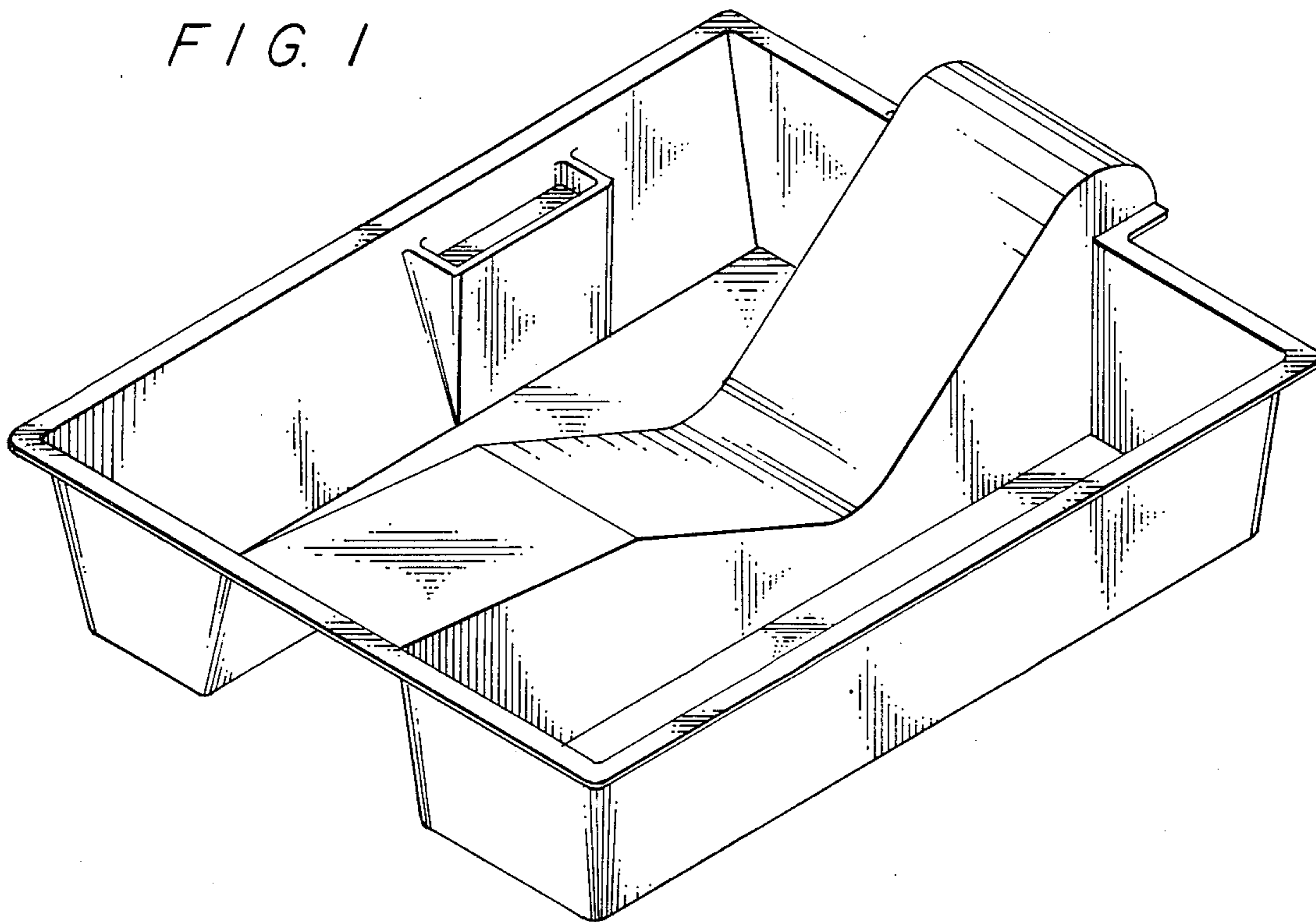


FIG. 2

FIG. 3

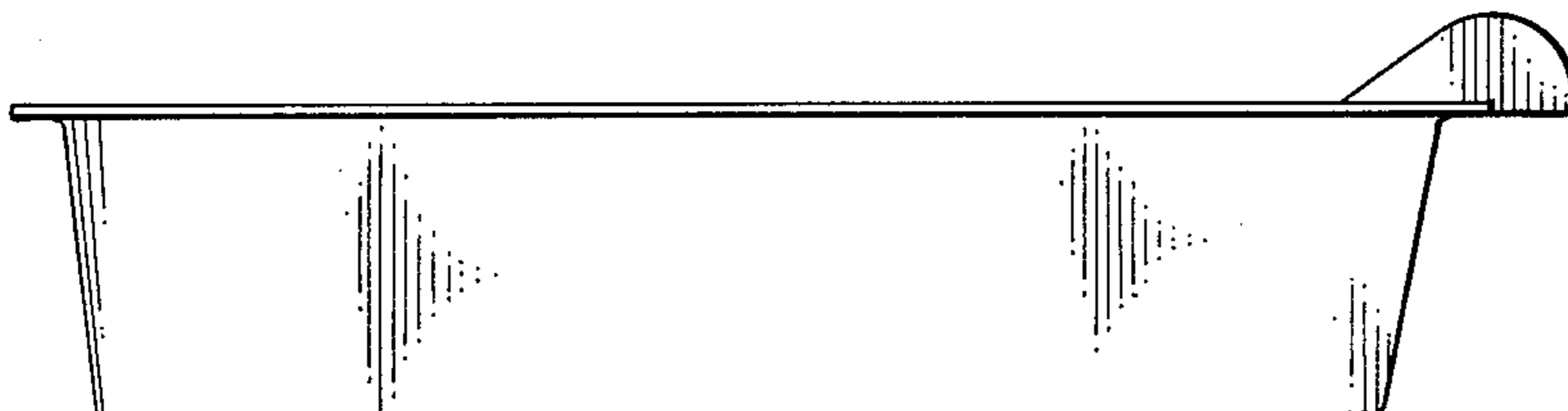
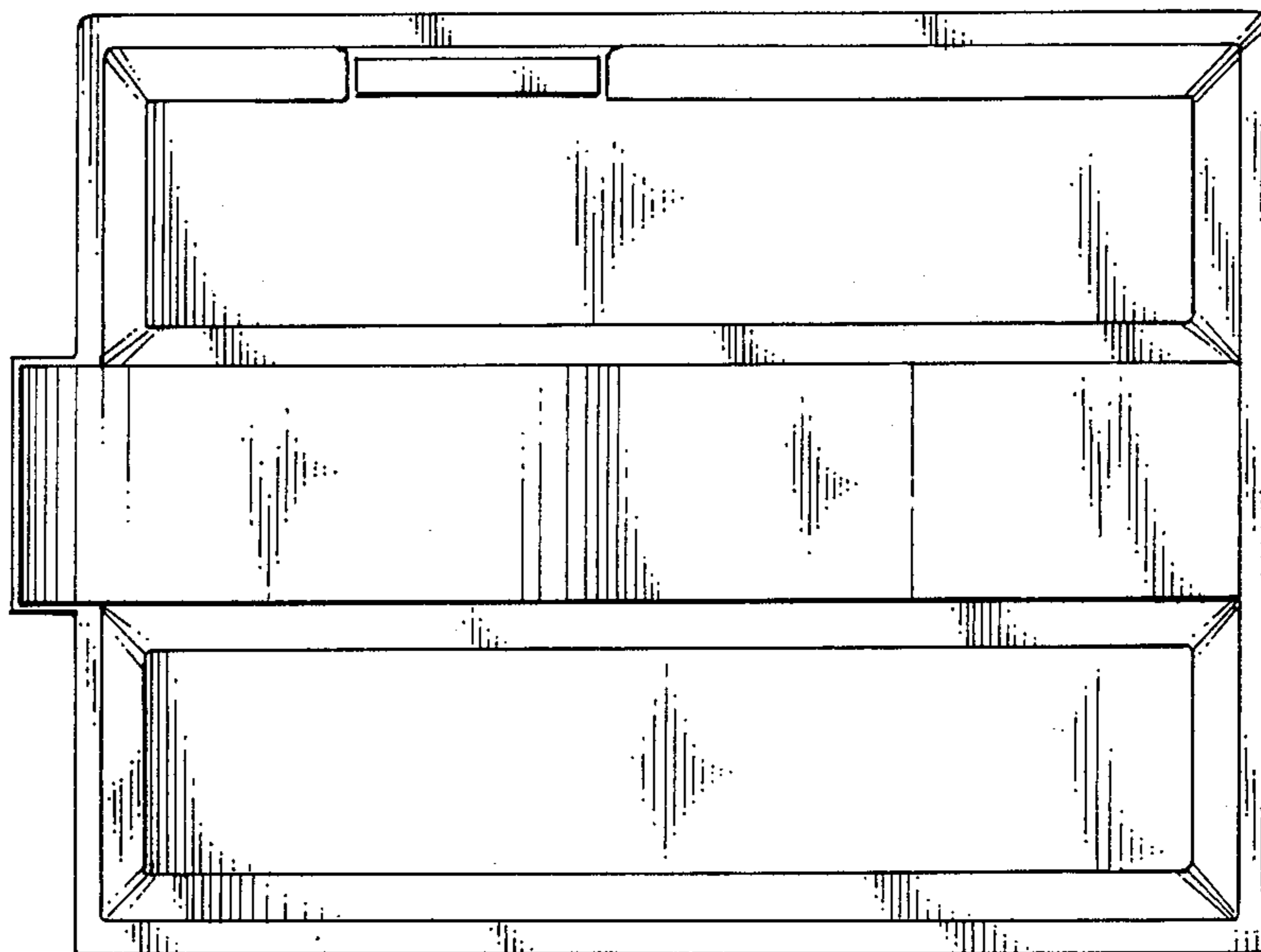


FIG. 4

FIG. 5

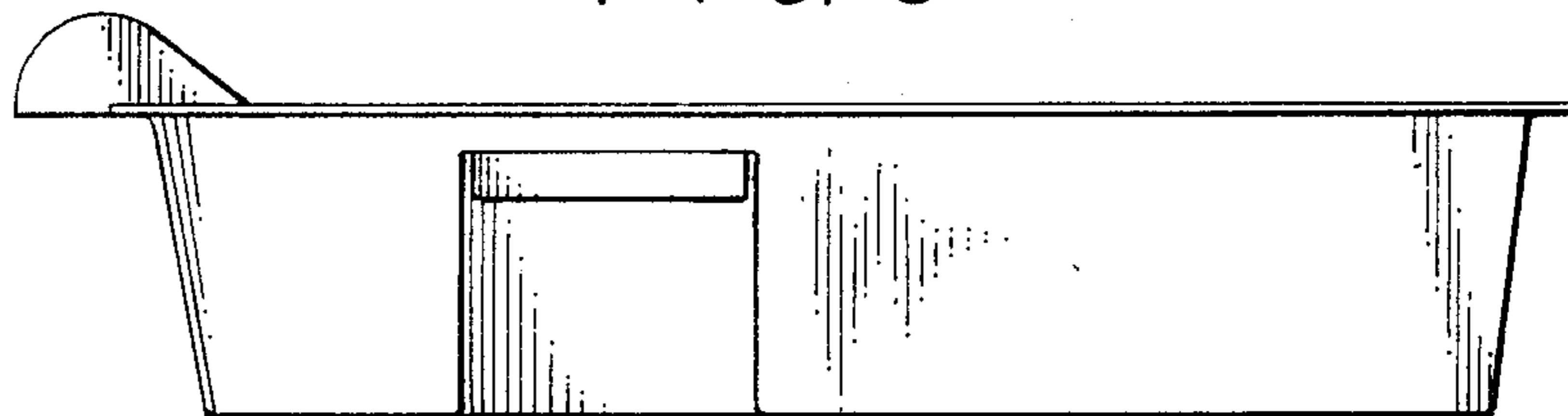


FIG. 6

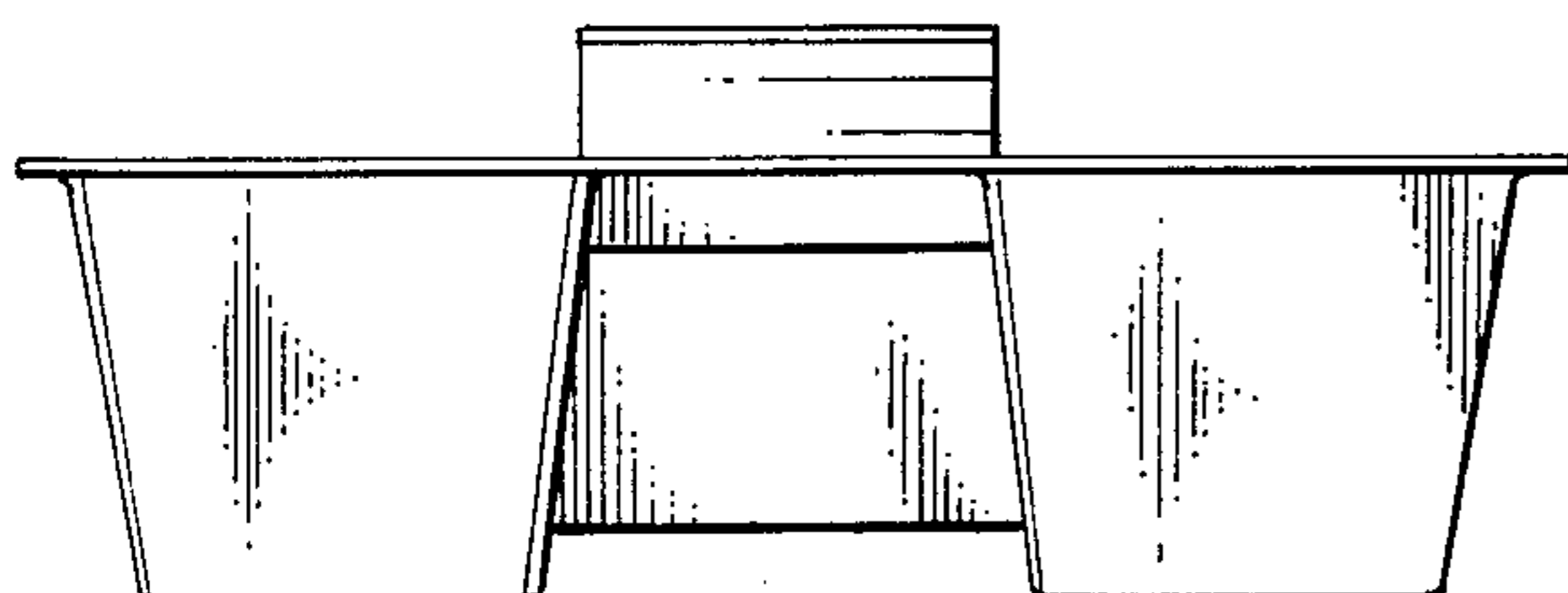


FIG. 7

