

[54] **TRAUMA CASSETTE HOLDER FOR PORTABLE LATERAL X-RAYS**  
[76] Inventor: **Jerome Moore**, 3535 Washington Blvd., Cleveland Hts., Ohio 44118  
[\*\*] Term: **14 Years**  
[21] Appl. No.: **680,304**  
[22] Filed: **Dec. 11, 1984**  
[52] U.S. Cl. .... **D24/2; D8/373**  
[58] Field of Search ..... **D24/2, 1.1; 378/172, 378/169, 177, 180, 181; D8/373**

3,688,108 8/1972 Hawkins ..... 378/181 X  
4,468,803 8/1984 Ronci ..... 378/181

*Primary Examiner*—A. Hugo Word  
*Assistant Examiner*—Stella M. Reid

[57] **CLAIM**

The ornamental design for a trauma cassette holder for portable lateral X-rays, as shown and described.

**DESCRIPTION**

FIG. 1 is a front prospective view of a trauma cassette holder for portable lateral X-rays showing my new design;

FIG. 2 is a front elevational view thereof;

FIG. 3 rear elevational view thereof;

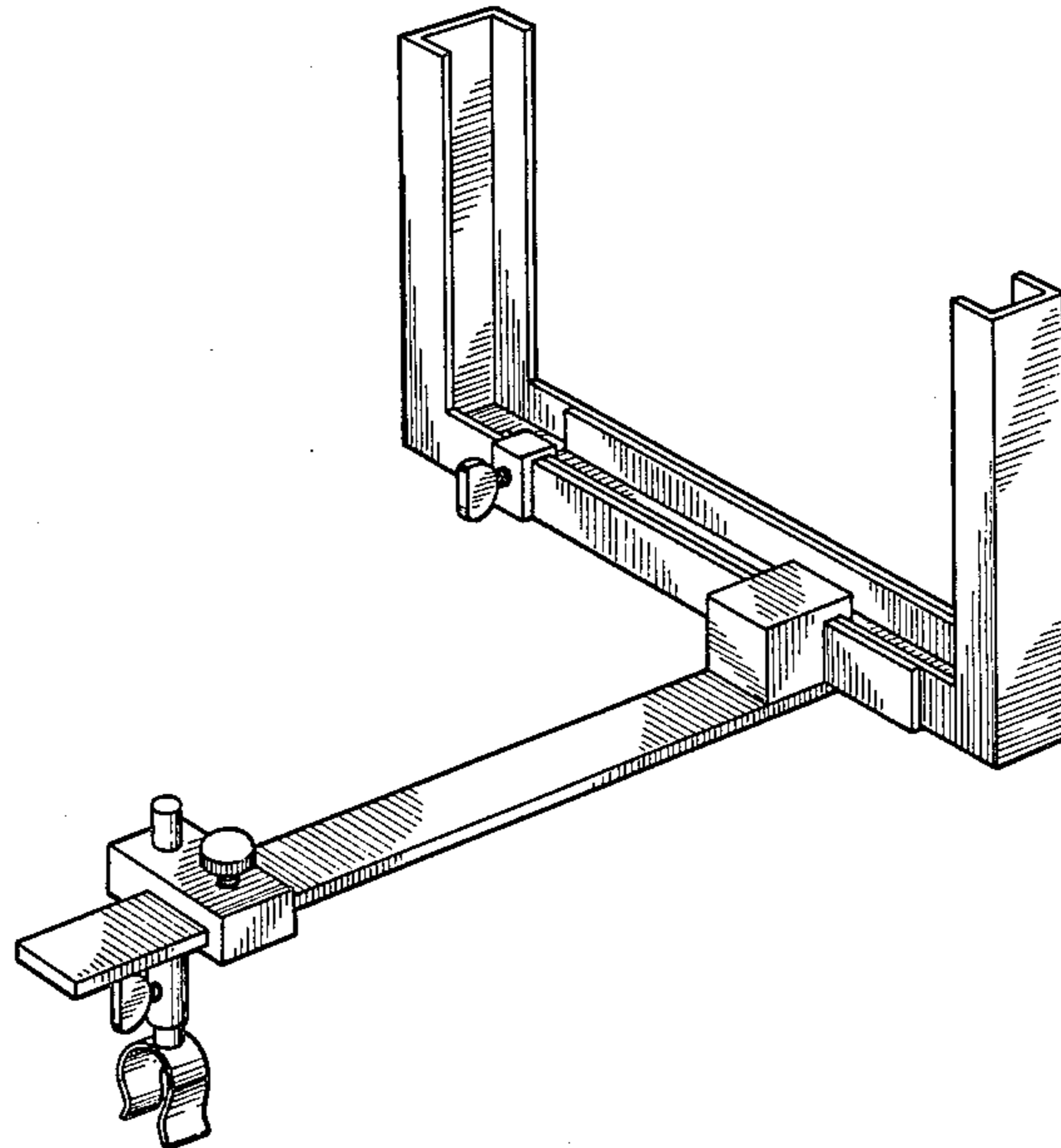
FIG. 4 is a left side elevational view thereof;

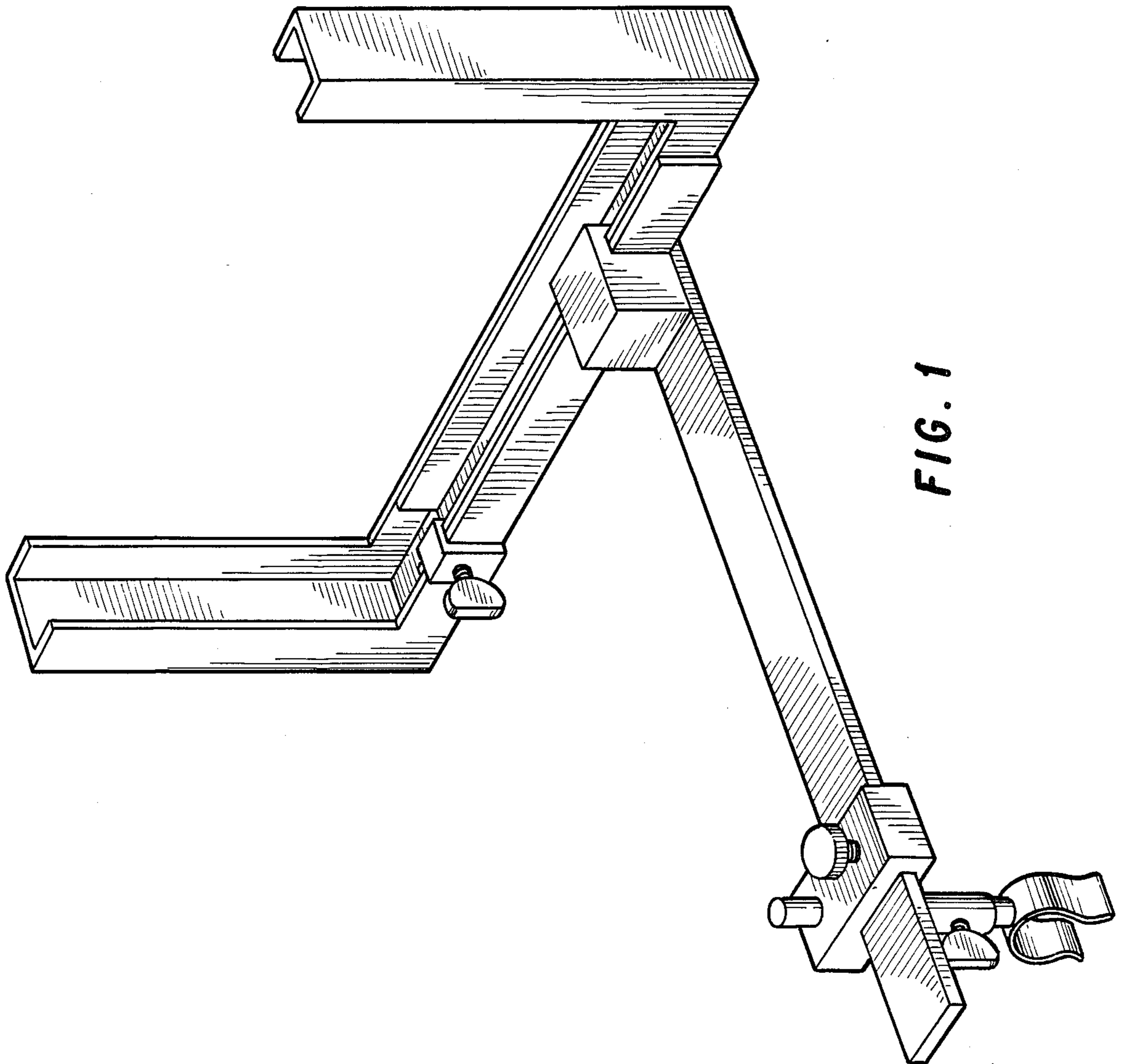
FIG. 5 is a top plan view thereof;

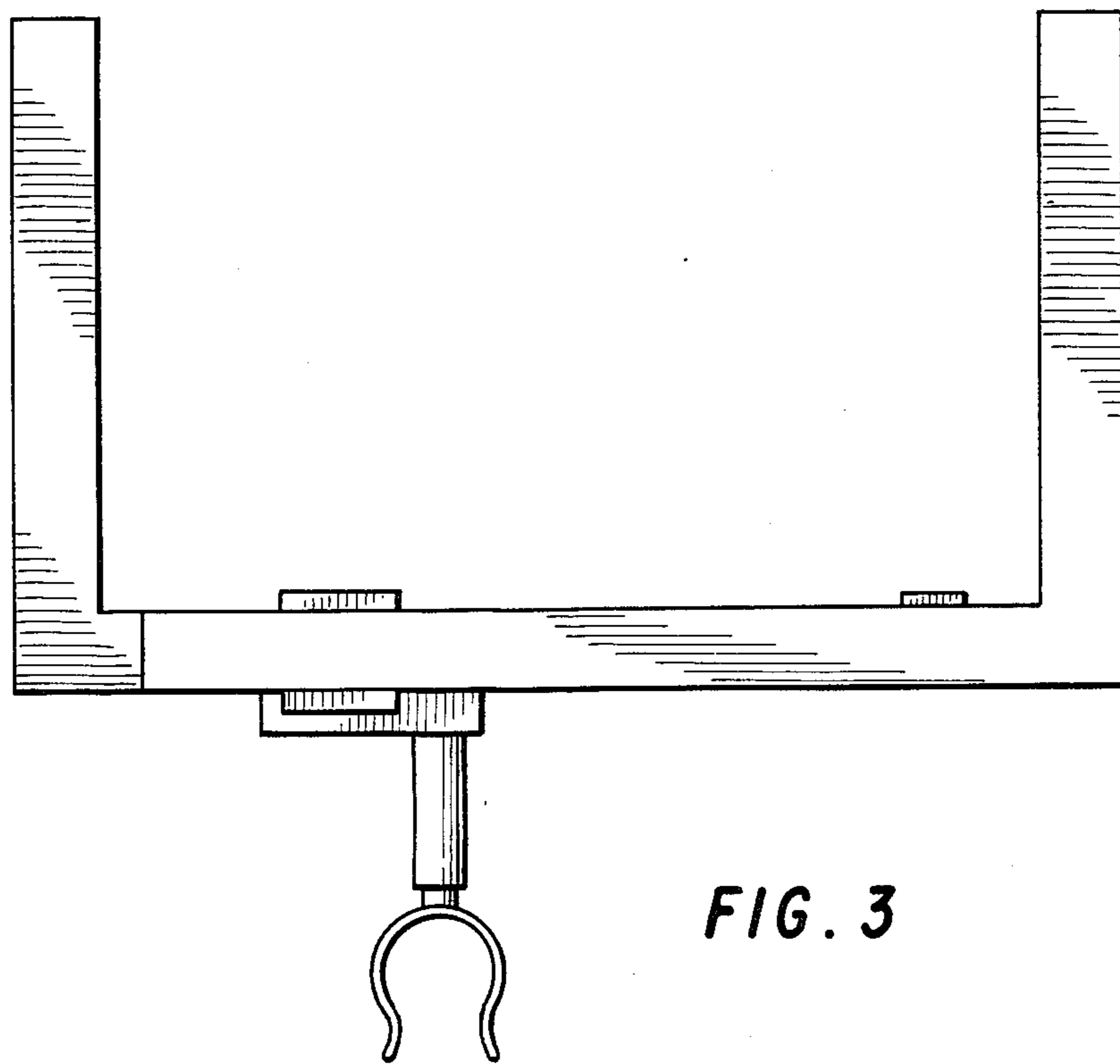
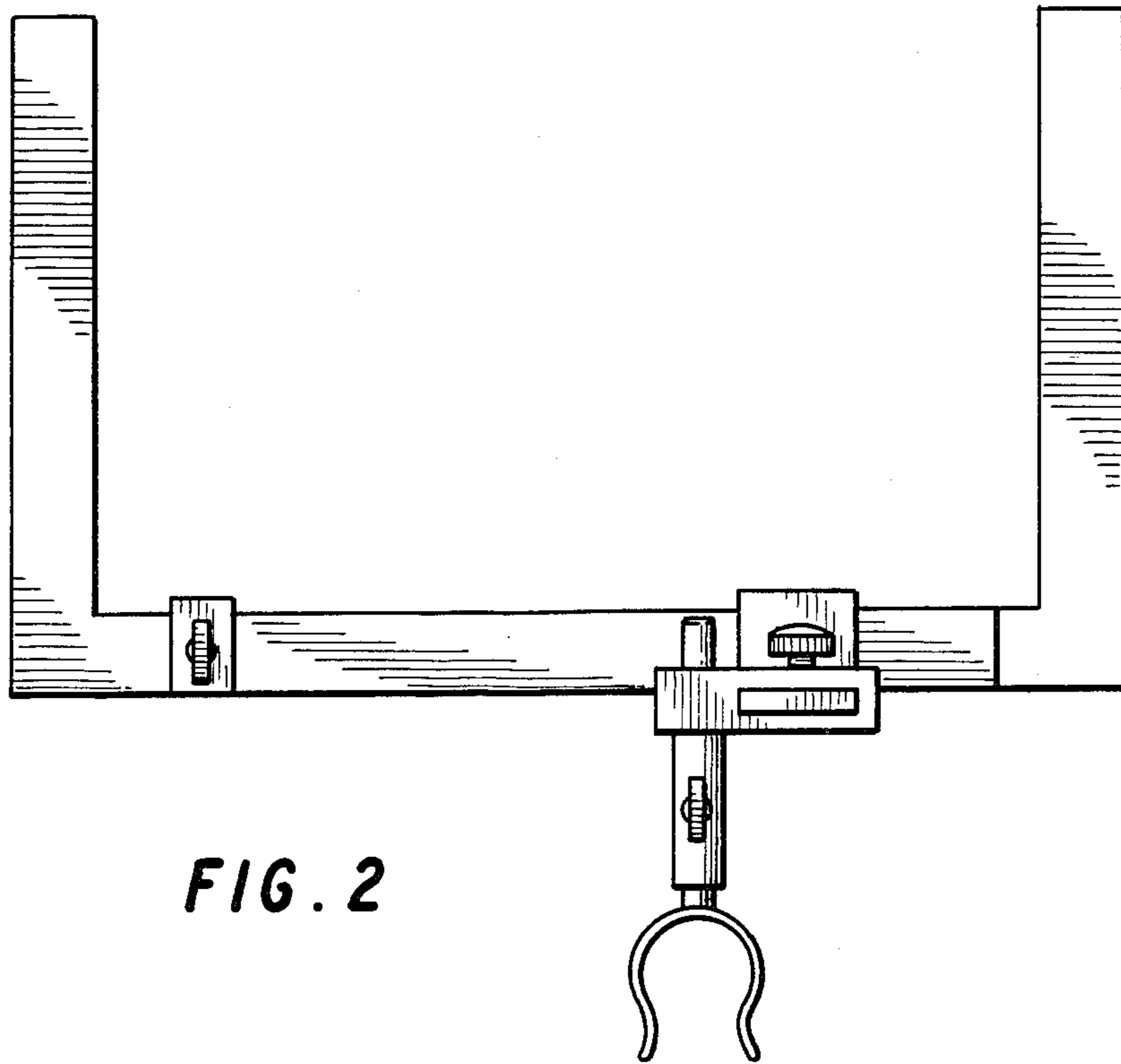
FIG. 6 is a bottom plan view thereof;

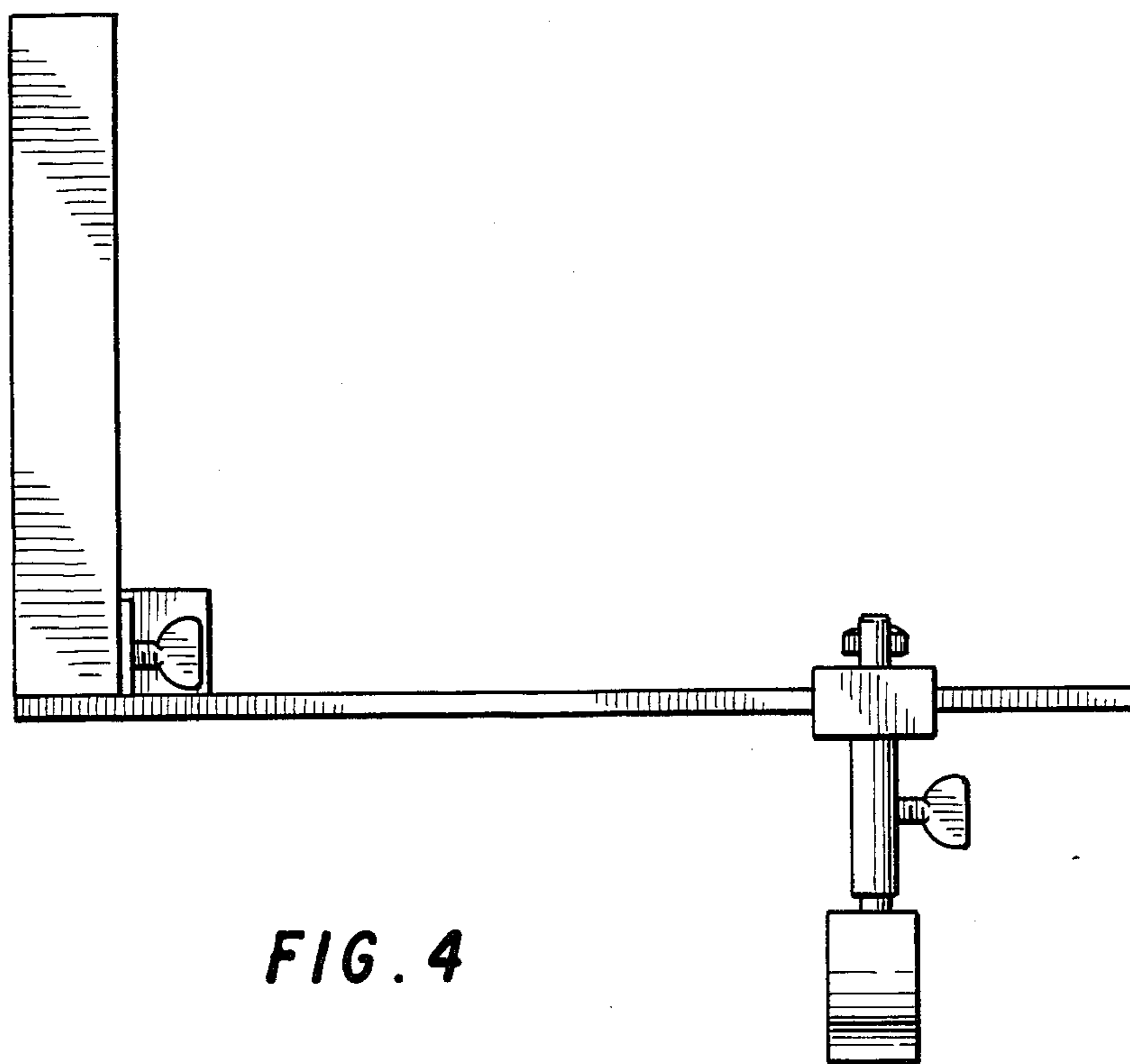
[56] **References Cited**  
**U.S. PATENT DOCUMENTS**

2,651,725 9/1953 McFarland ..... 378/177  
2,926,256 2/1960 Rankin ..... D24/2 X  
3,633,028 1/1972 Marino ..... 378/180 X

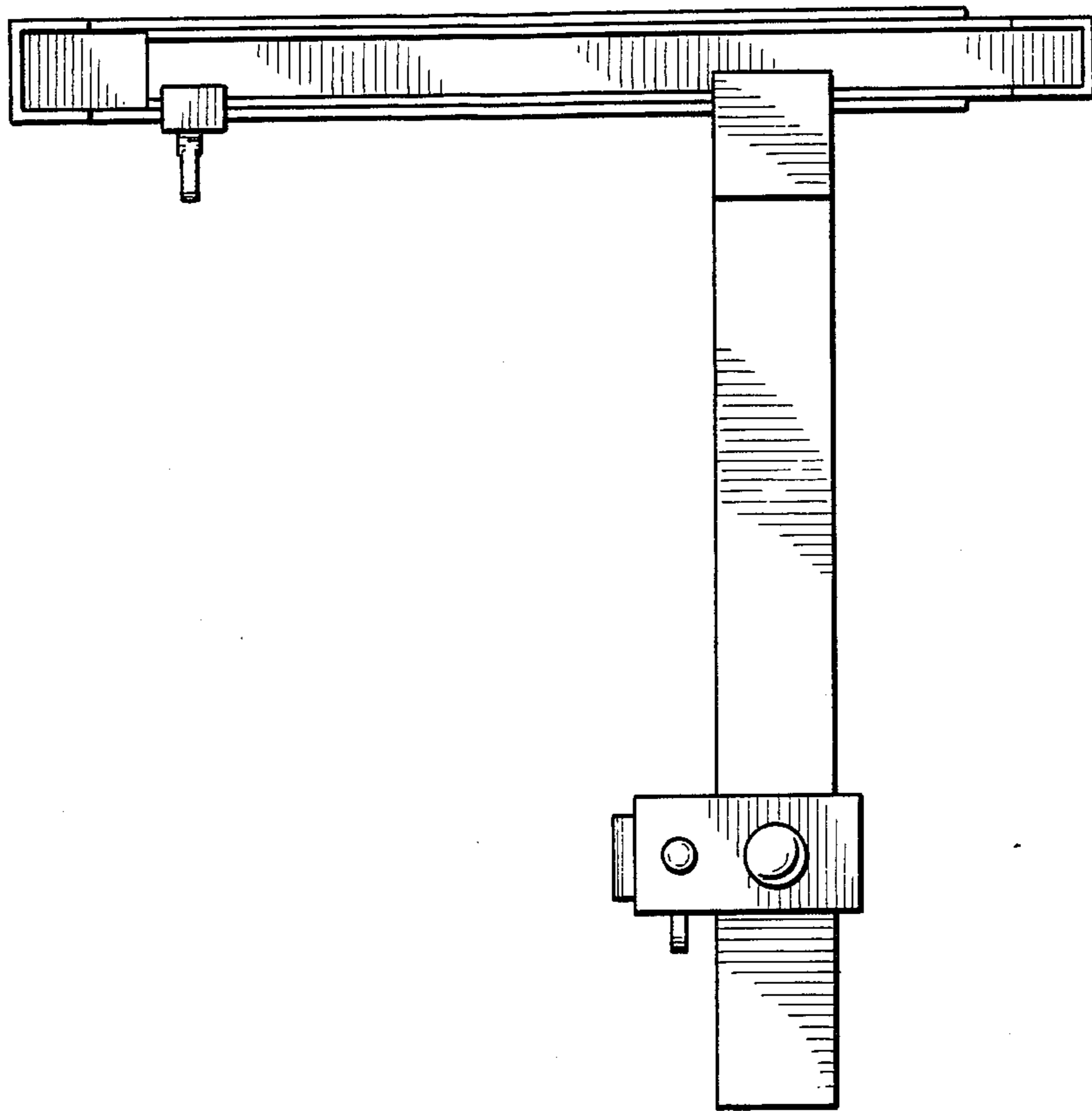








**FIG. 4**



**FIG. 5**

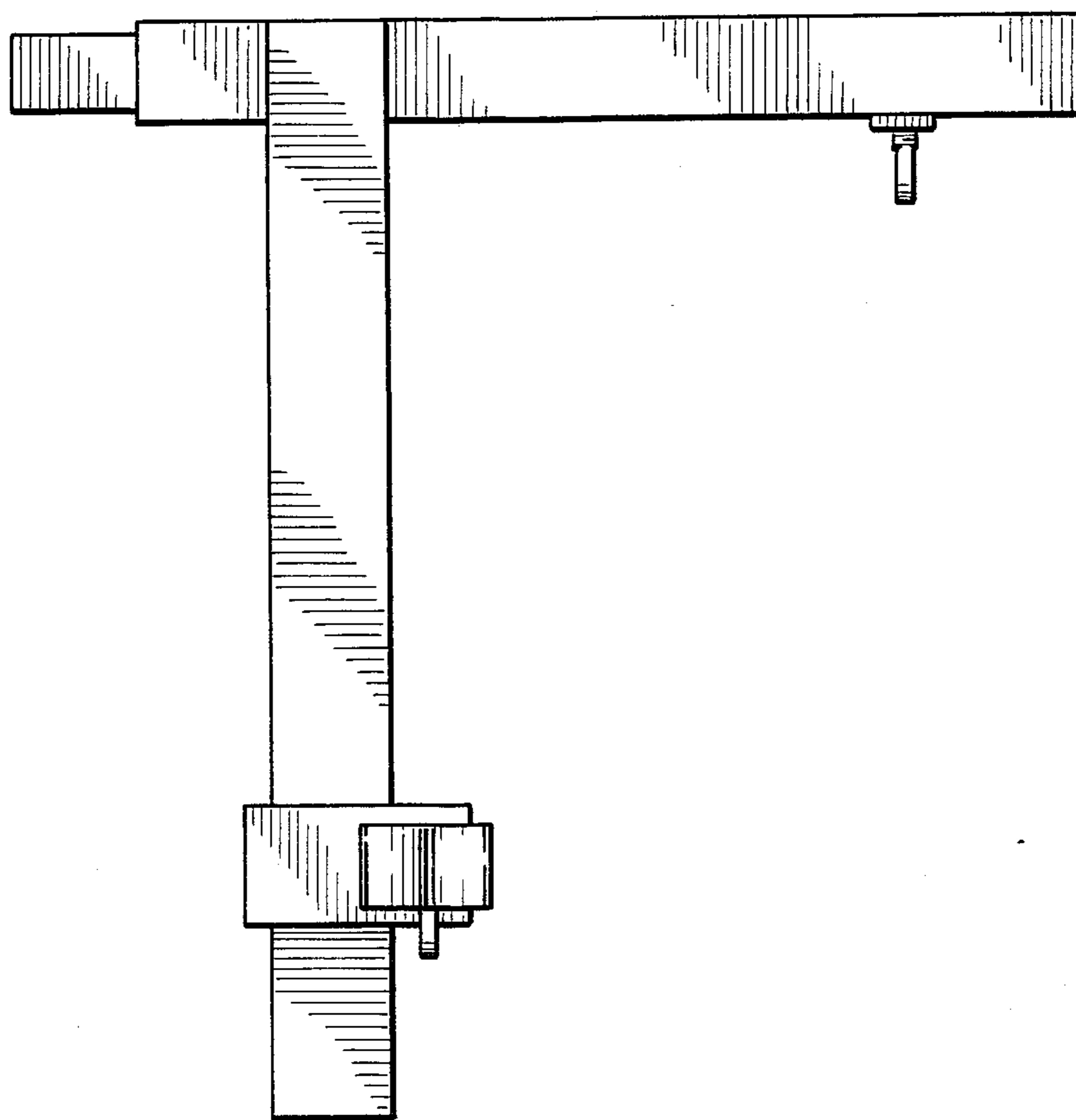


FIG. 6