

United States Patent [19]

Nelson

[11] Patent Number: **Des. 298,048**

[45] Date of Patent: **** Oct. 11, 1988**

[54] **SHOWERHEAD**

[75] Inventor: **Merritt J. Nelson, Sparta, Mich.**

[73] Assignee: **Zin-Plas Corp., Grand Rapids, Mich.**

[**] Term: **14 Years**

[21] Appl. No.: **727,280**

[22] Filed: **Apr. 25, 1985**

[52] U.S. Cl. **D23/229**

[58] Field of Search **D23/213, 214, 223, 228, D23/8, 229; 239/460, 558, 559-587**

[56] **References Cited**

U.S. PATENT DOCUMENTS

D. 95,823	6/1935	Hathaway et al.	D23/229
D. 113,042	1/1939	Landgarten	D23/229
D. 189,117	10/1960	Kohler	D23/229
D. 238,671	2/1976	Rosenberger et al.	D23/213
1,958,867	5/1934	Simmons	239/460
2,049,141	7/1936	Schneider	239/460
2,085,854	7/1937	Hathaway et al.	239/460 X
2,086,017	7/1937	Donahue	239/559

2,196,783	4/1940	Shook	239/559
2,197,667	4/1940	Shook	239/460
2,351,819	6/1944	Judell	239/460
2,529,223	11/1950	Moen	239/587 X
2,557,106	7/1951	Hughes	239/587 X
3,189,284	6/1985	Downey	239/587 X
3,273,803	9/1966	Crowley	239/460 X
3,416,734	12/1968	Nelson	239/460

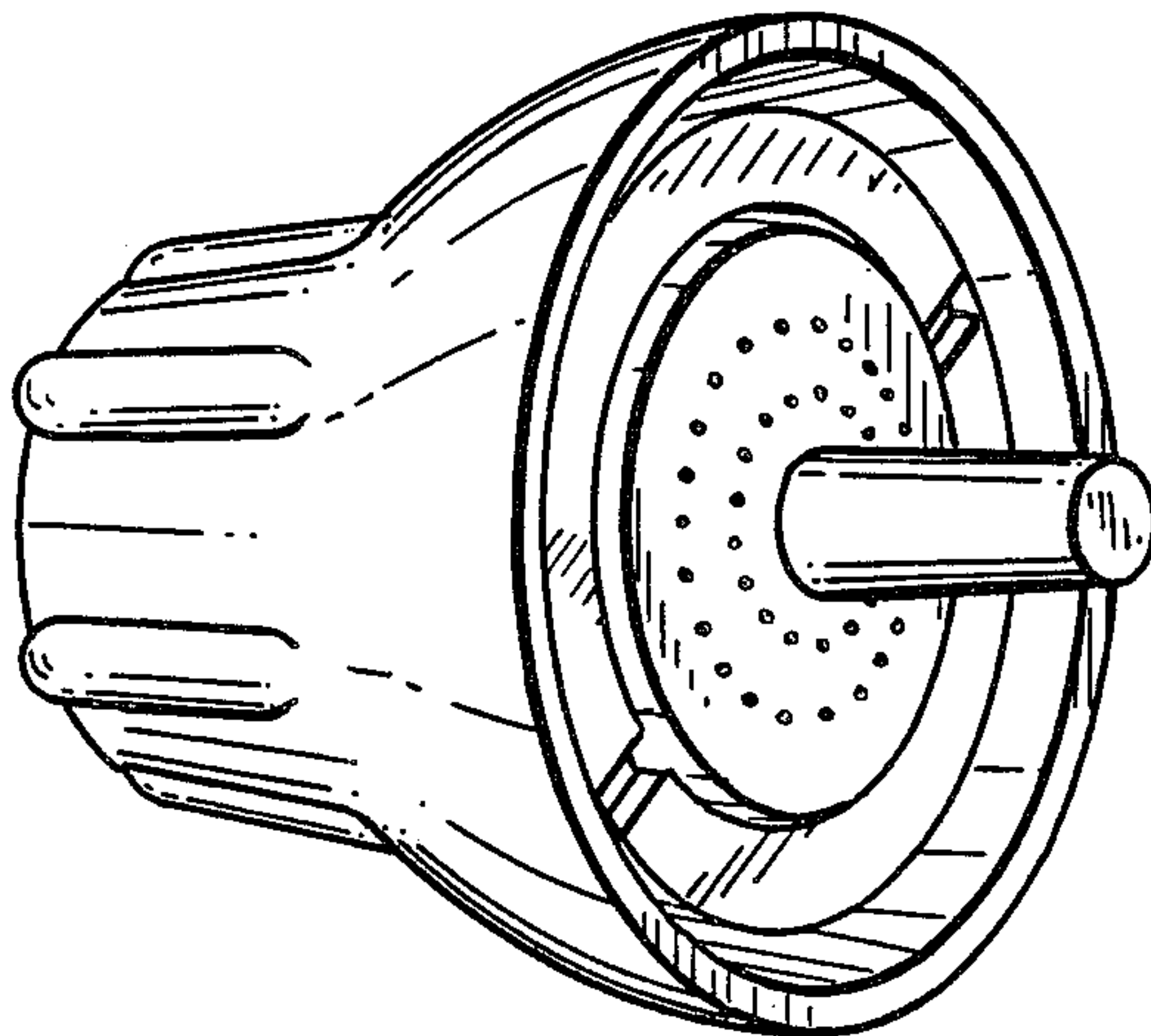
Primary Examiner—James R. Largen
Attorney, Agent, or Firm—Varnum, Riddering, Schmidt & Howlett

[57] CLAIM

The ornamental design for a showerhead, as shown and described.

DESCRIPTION

FIG. 1 is a bottom plan view of a showerhead showing my new design;
FIG. 2 is a top plan view thereof;
FIG. 3 is a side elevational view thereof, the other sides being the same as the side shown; and
FIG. 4 is a perspective view taken from the bottom and one side thereof.



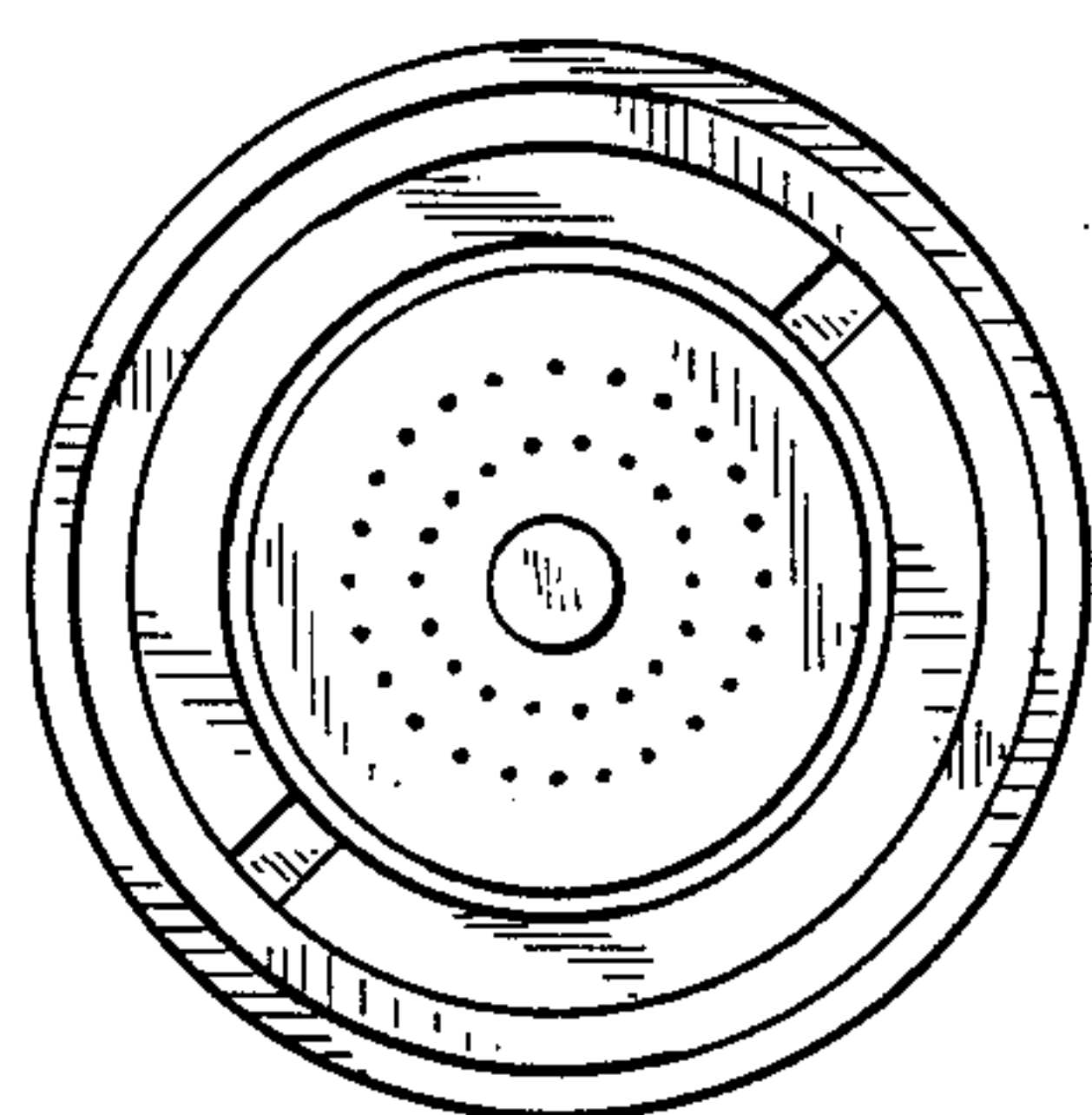


FIG. 1

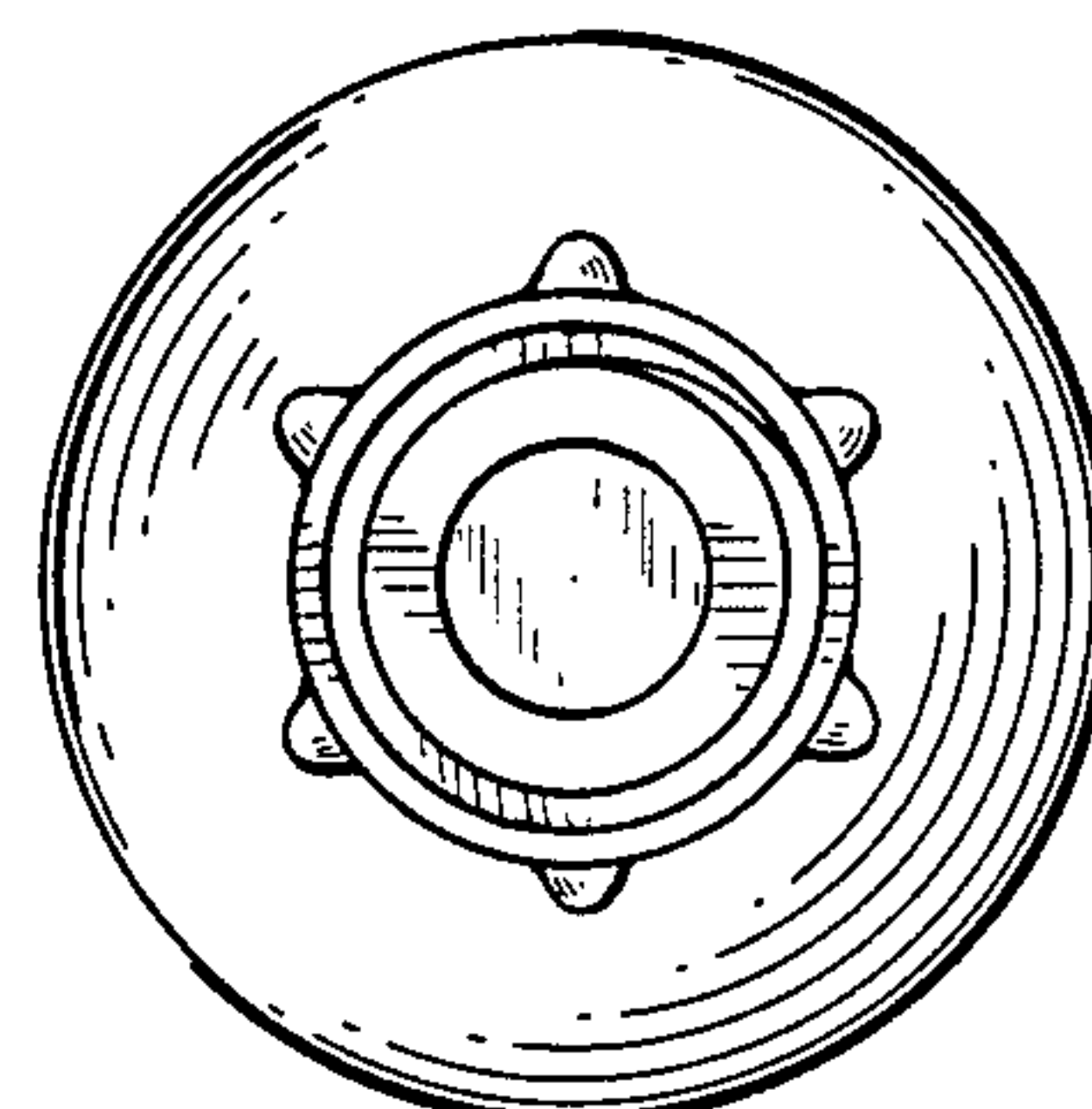


FIG. 2

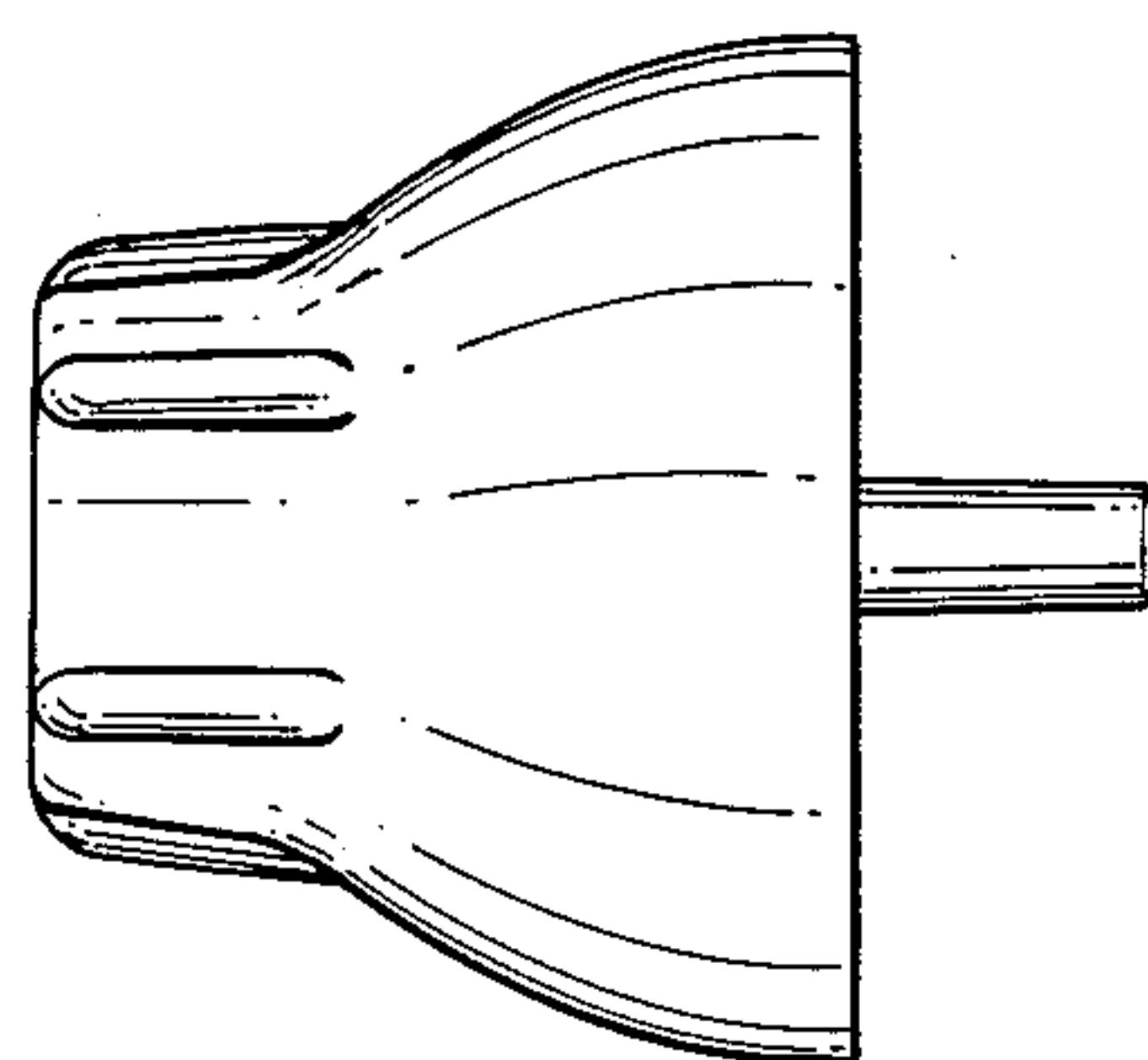


FIG. 3

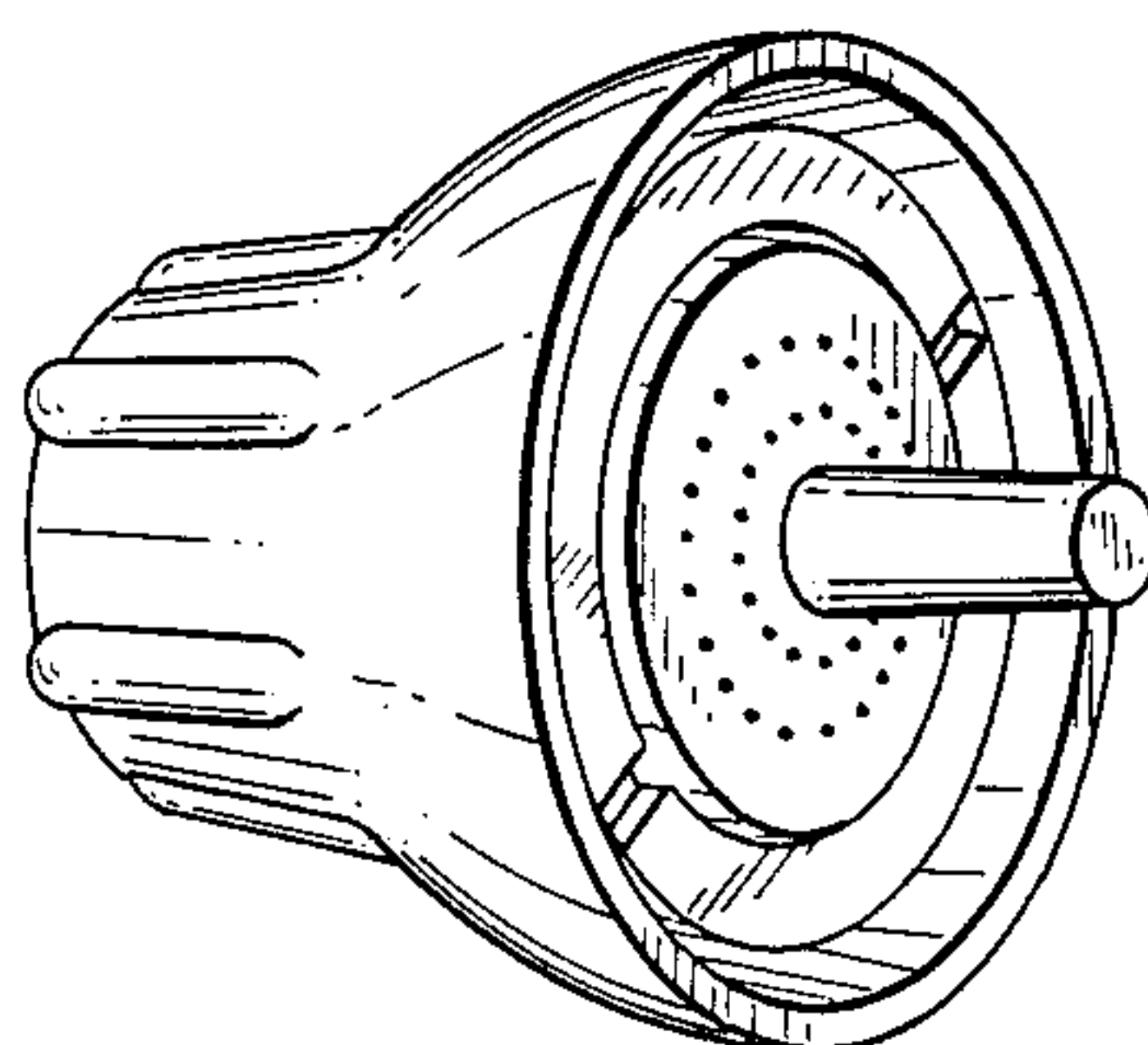


FIG. 4