

United States Patent [19]

Sekiguchi

[11] Patent Number: **Des. 298,044**

[45] Date of Patent: **** Oct. 11, 1988**

[54] SEWING MACHINE

[75] Inventor: Toshiya Sekiguchi, Chofu, Japan

[73] Assignee: Tokyo Juki Industrial Co., Ltd.,
Tokyo, Japan

[**] Term: 14 Years

[21] Appl. No.: 809,480

[22] Filed: Dec. 16, 1985

[30] Foreign Application Priority Data

Jun. 20, 1985 [JP] Japan 60-26332

[52] U.S. Cl. **D15/69**

[58] Field of Search D15/66-78;
112/258-261

[56] References Cited

U.S. PATENT DOCUMENTS

D. 267,881 2/1983 Current D15/68

D. 278,823 5/1985 Yoneda D15/69

D. 289,768 5/1987 Sakuma D15/69
2,762,324 9/1956 Hess 112/258

Primary Examiner—Melvin B. Feifer

Attorney, Agent, or Firm—Abelman Frayne Rezac &
Schwab

[57] CLAIM

The ornamental design for a sewing machine, as shown.

DESCRIPTION

FIG. 1 is a front elevation of the sewing machine showing my new design;

FIG. 2 is a rear elevation of the sewing machine;

FIG. 3 is a plan view of the sewing machine;

FIG. 4 is an underside plan view of the sewing machine;

FIG. 5 is a side elevation of the sewing machine taken from the left hand side of FIG. 1;

FIG. 6 is a side elevation of the sewing machine taken from the right hand side of FIG. 1; and,

FIG. 7 is a perspective view of the sewing machine taken from the front and left sides thereof as shown, respectively, in FIGS. 1 and 5.

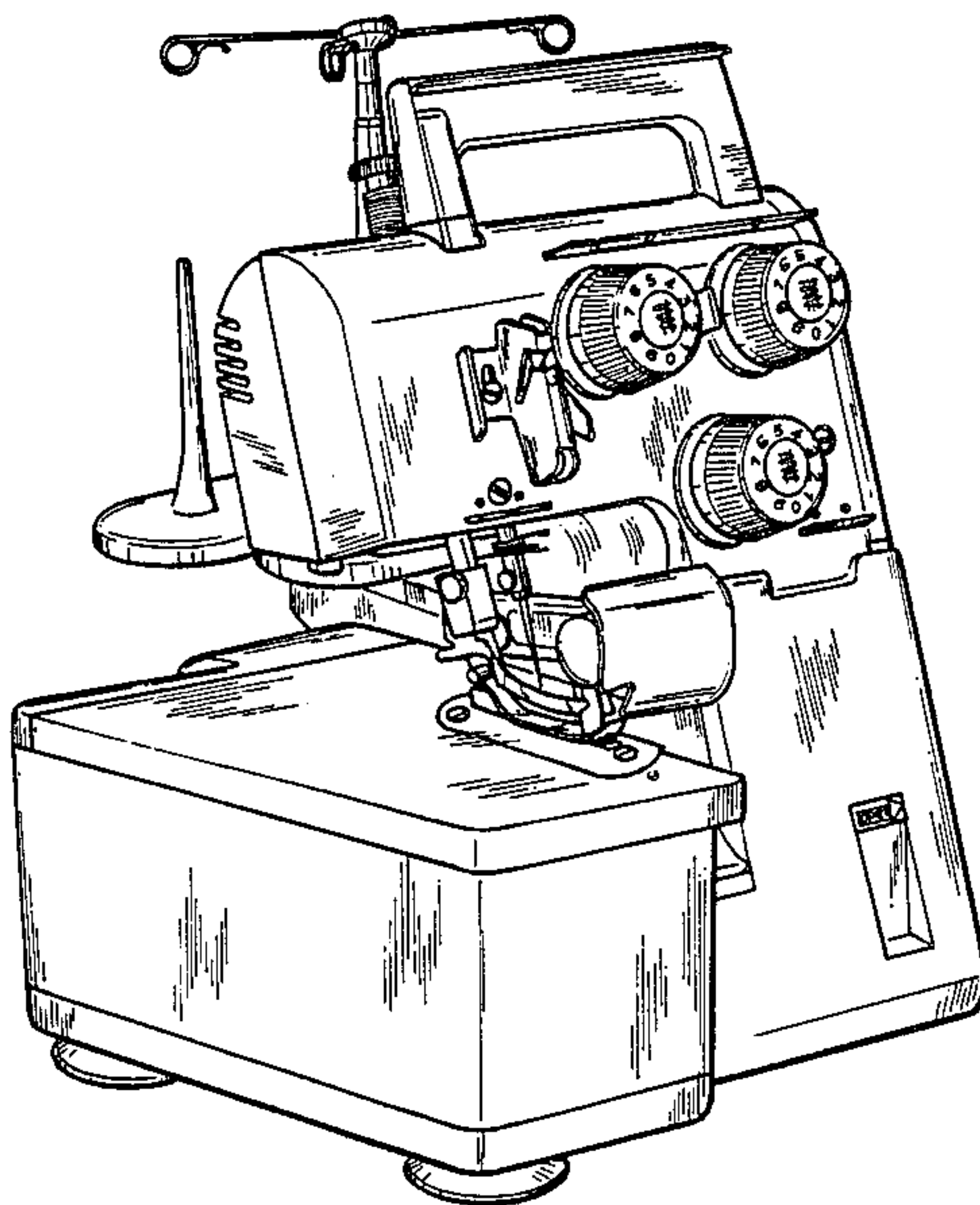


FIG. 1

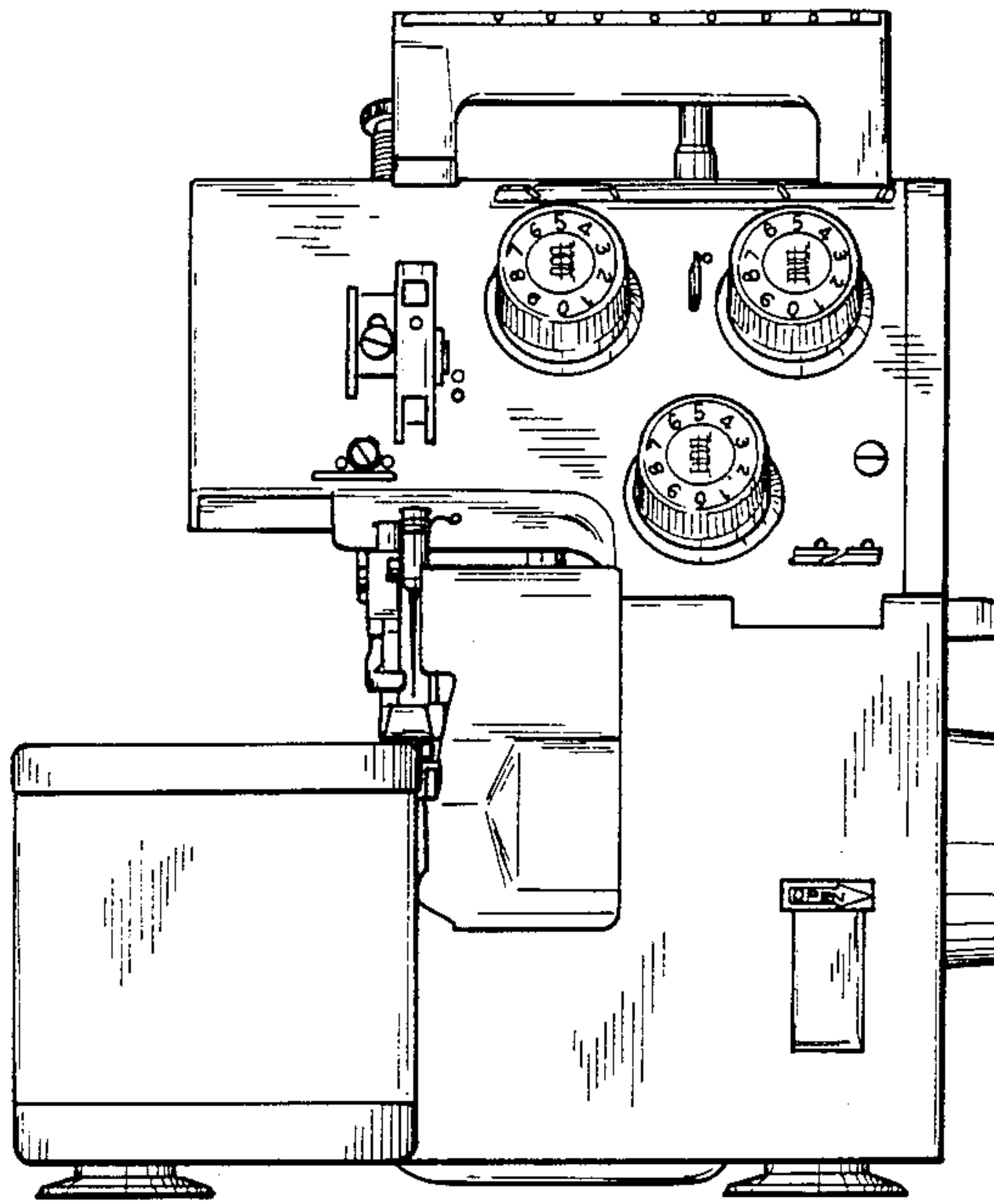


FIG. 2

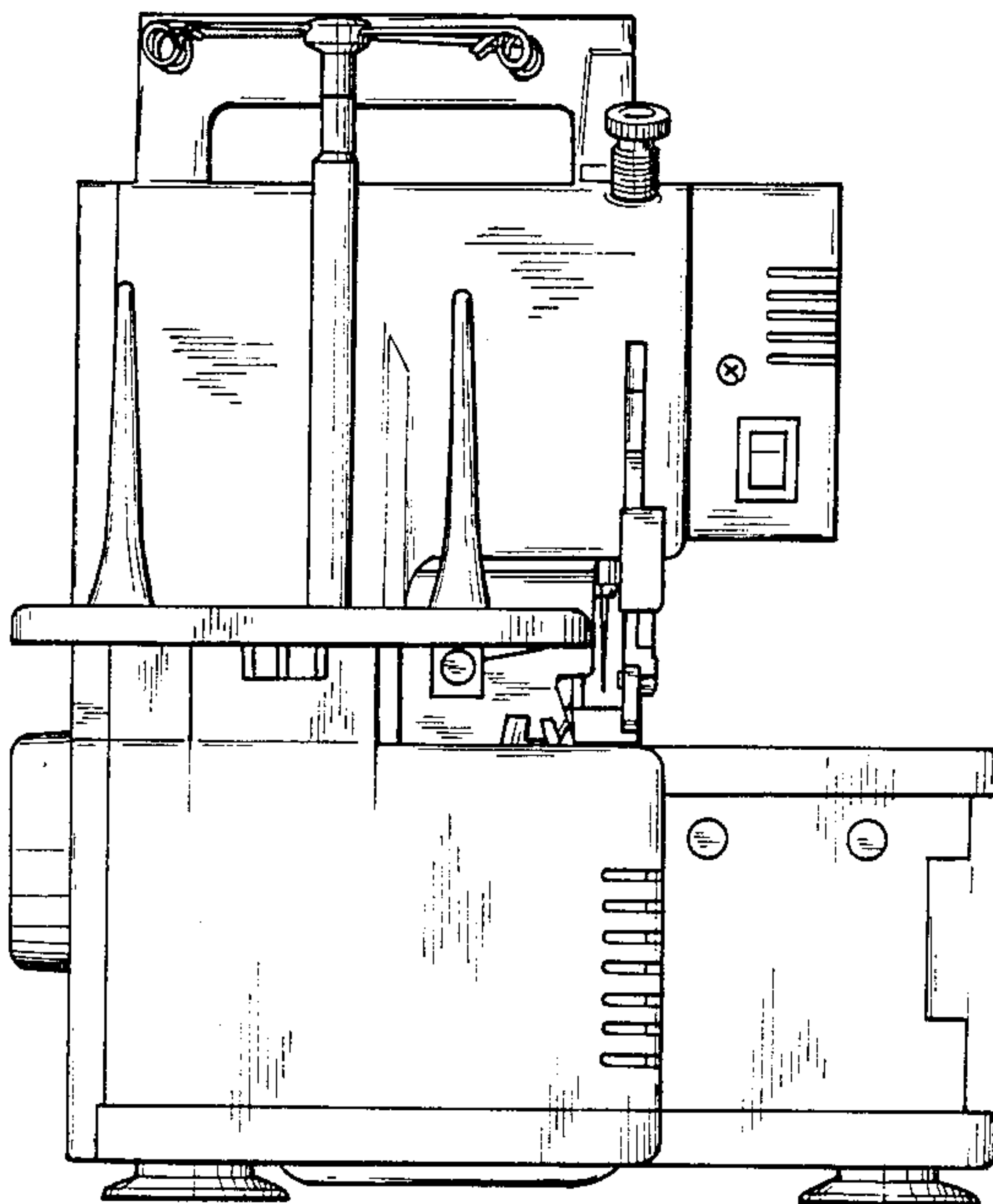


FIG. 3

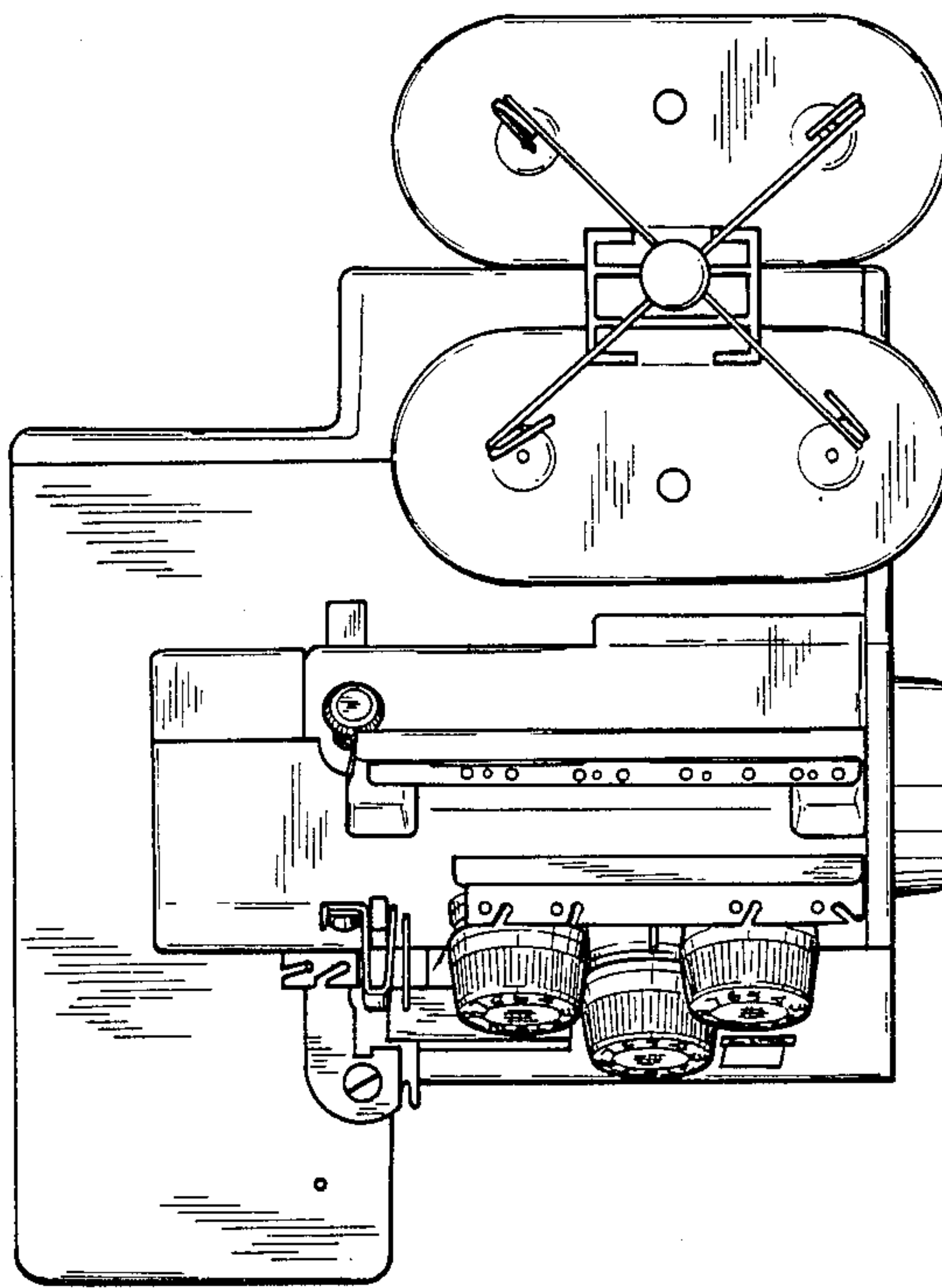


FIG. 4

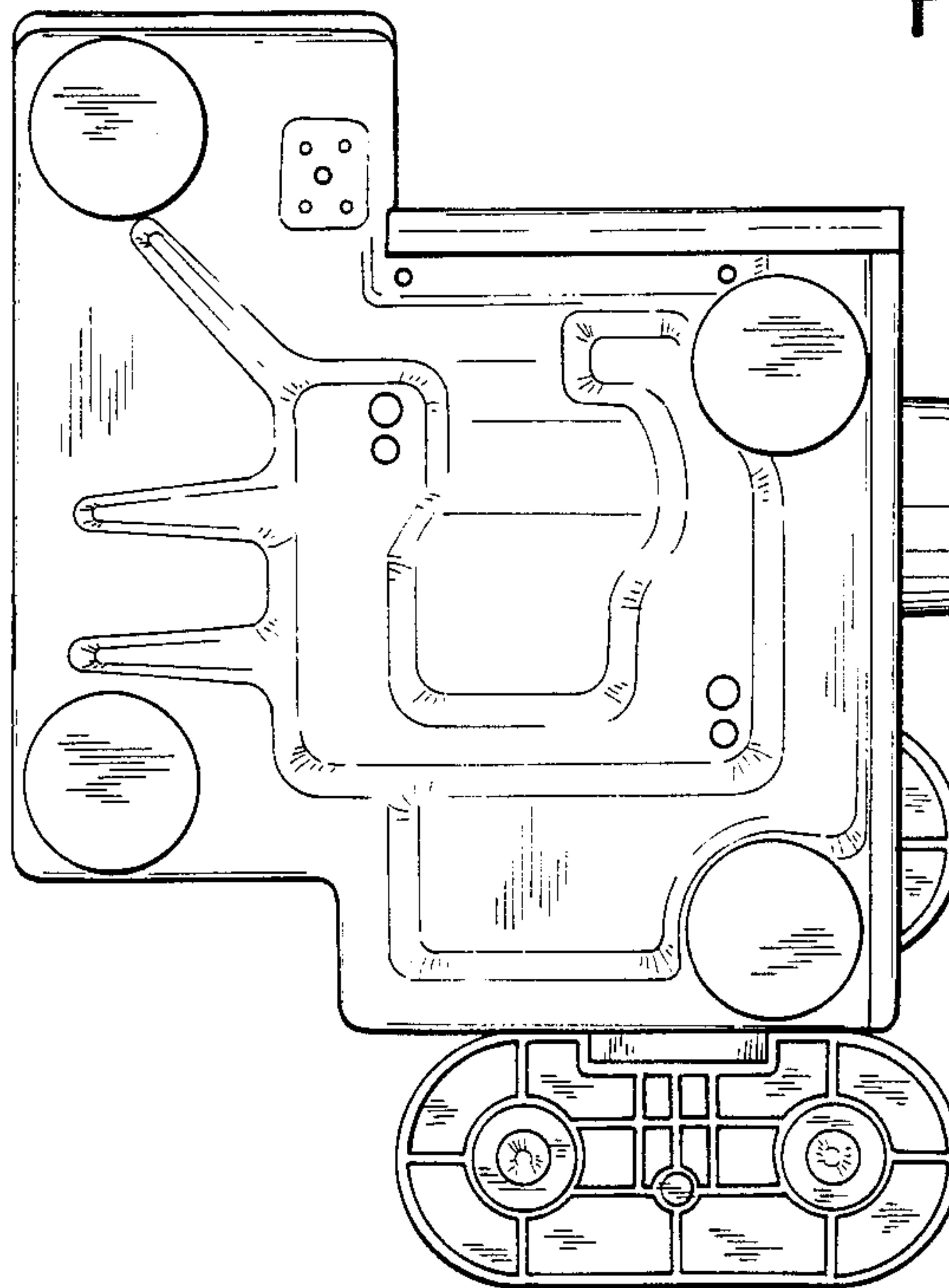


FIG. 5

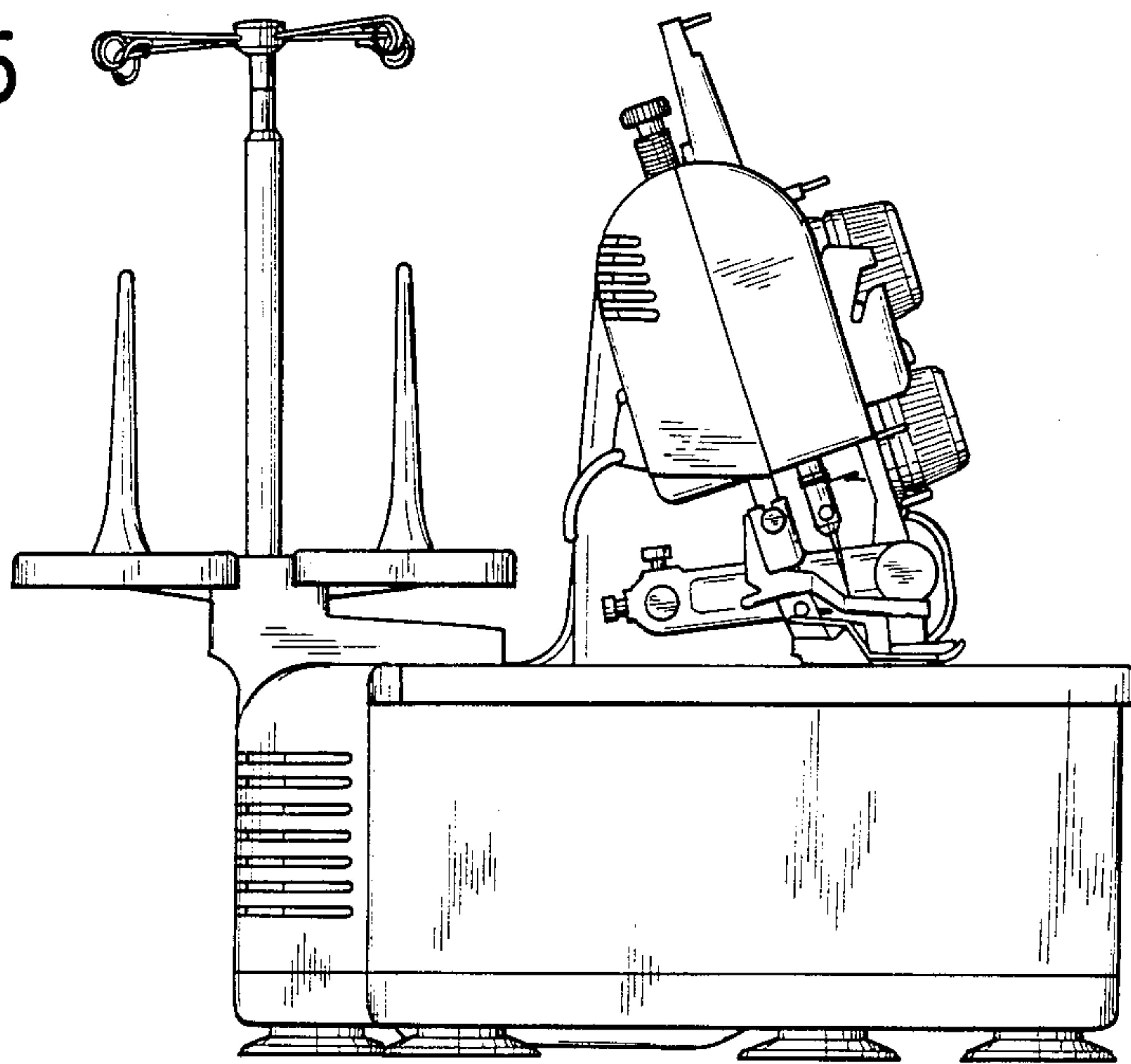


FIG. 6

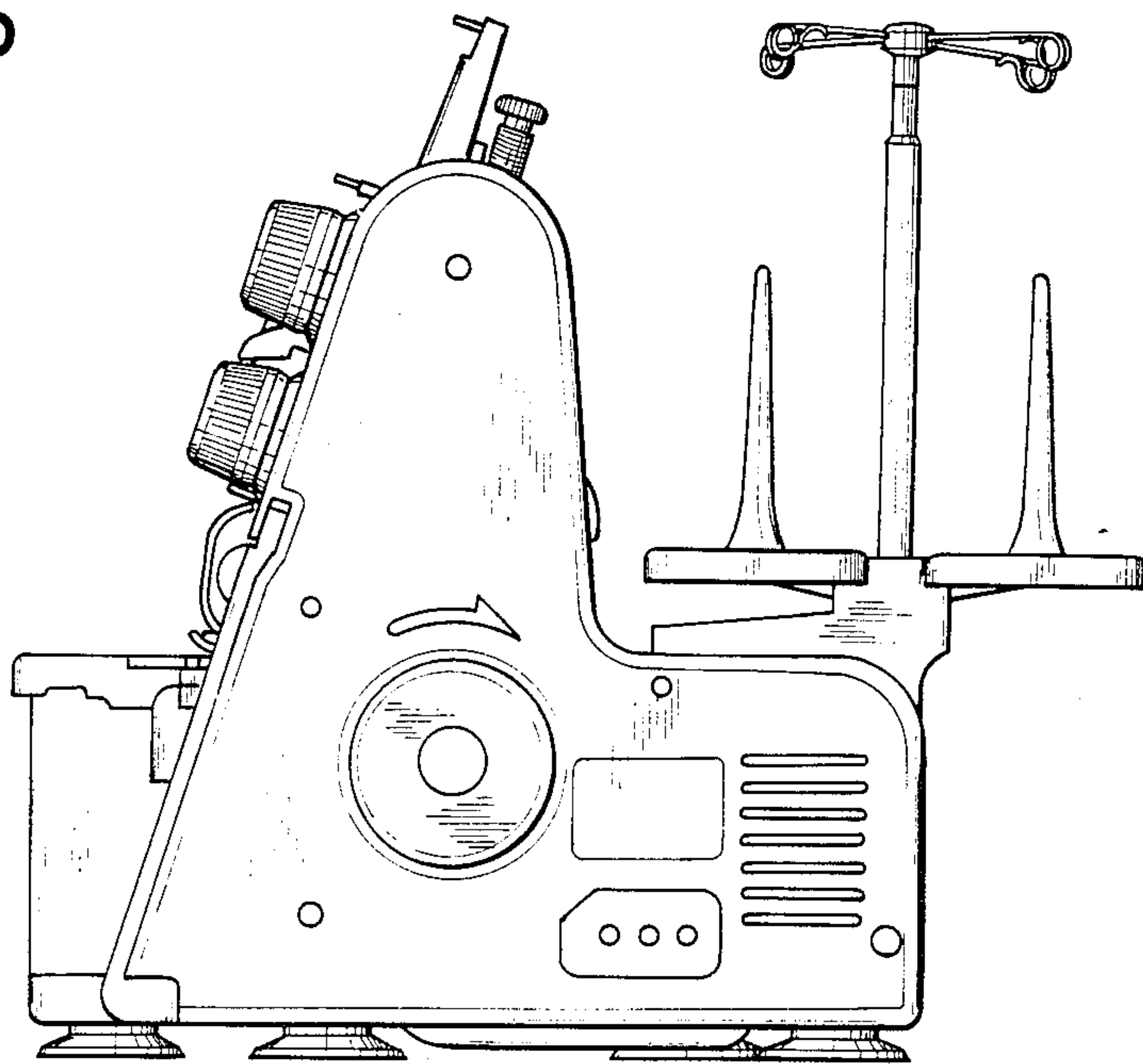


FIG. 7

