

[54] TAPE DISPENSER

[75] Inventors: Michael J. Szablak, Stephens City; Glen E. Tomblin, Winchester, both of Va.

[73] Assignee: Rubbermaid Commercial Products Inc., Winchester, Va.

[\*\*] Term: 14 Years

[21] Appl. No.: 923,716

[22] Filed: Oct. 24, 1986

[52] U.S. Cl. .... D19/67

[58] Field of Search ..... D19/67-69, D19/85, 75; 225/6, 77, 56, 45, 89; 312/39

[56] References Cited

U.S. PATENT DOCUMENTS

- D. 169,989 7/1953 Reinecke ..... D19/69
- D. 248,561 7/1978 Deering ..... D19/69
- D. 248,961 8/1978 Debrey ..... D19/69

- D. 254,556 3/1980 Johnson ..... D19/69
- D. 270,649 9/1983 Evenson ..... D19/69

OTHER PUBLICATIONS

3M catalog p. 5, 3M Commercial Office Supplies Division, St. Paul, MN 55144, Published-1986.

Primary Examiner—Charles A. Rademaker  
Attorney, Agent, or Firm—Richard B. O’Planick

[57] CLAIM

The ornamental design for a tape dispenser, as shown and described.

DESCRIPTION

FIG. 1 is a front perspective view of a tape dispenser embodying our new design.

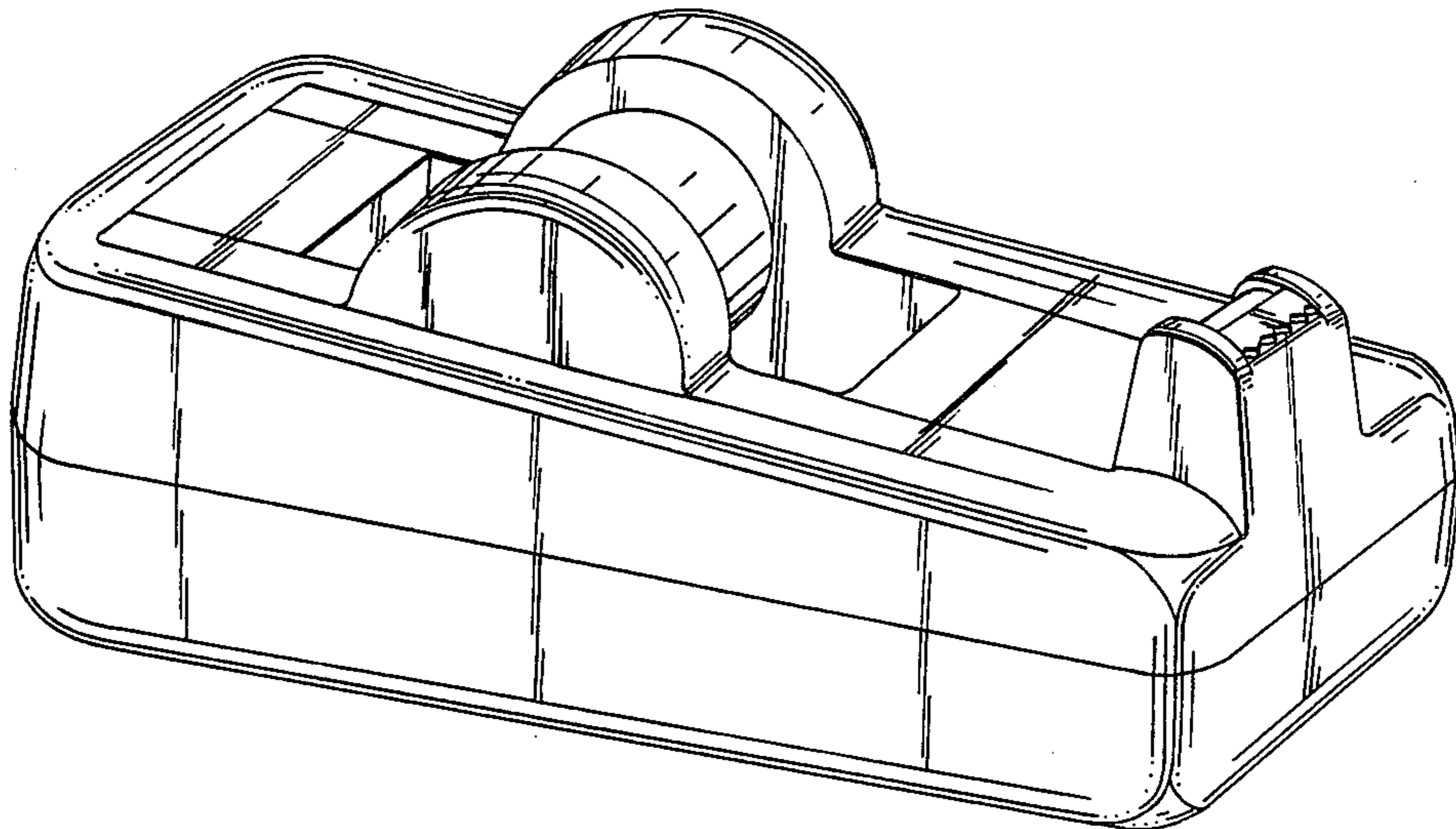
FIG. 2 is a top plan view thereof.

FIG. 3 is a left side elevational view thereof.

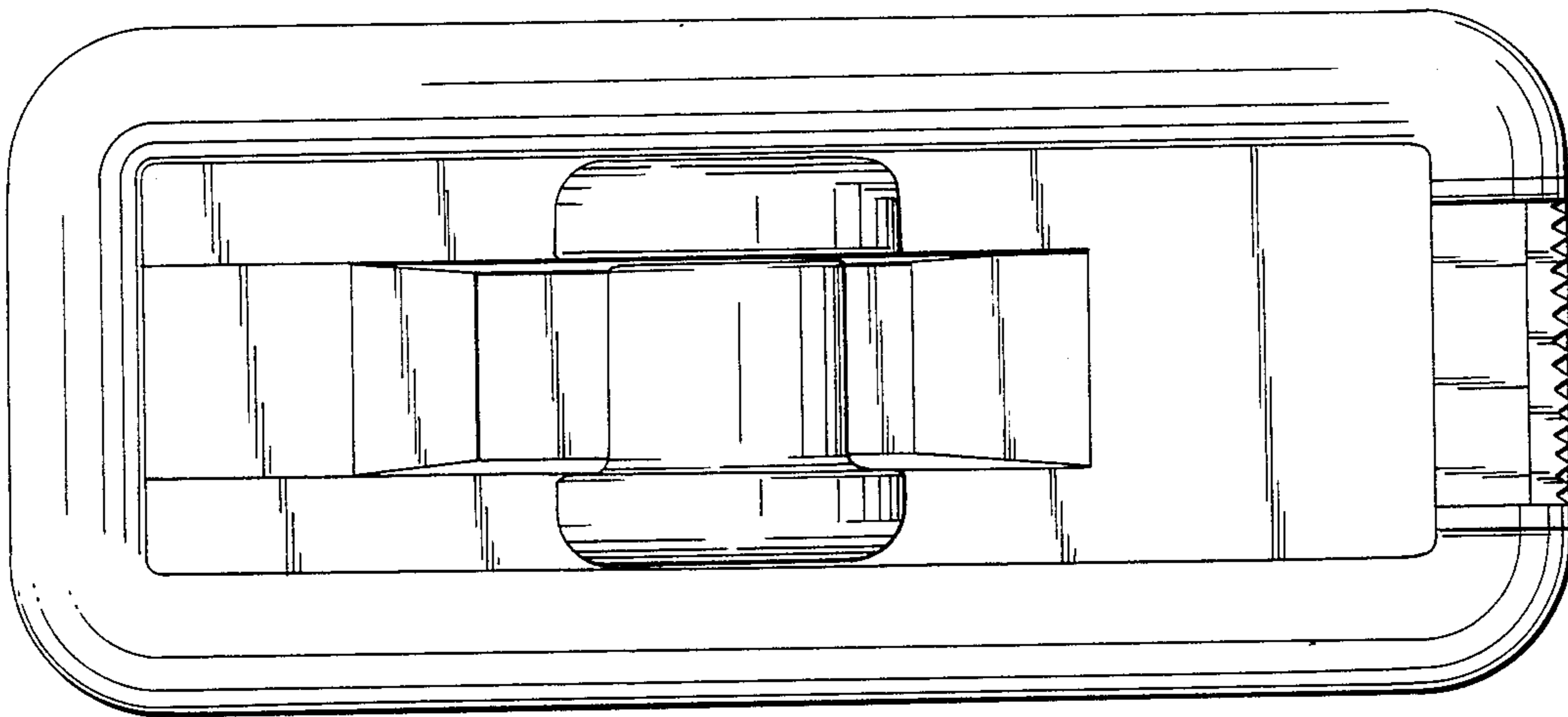
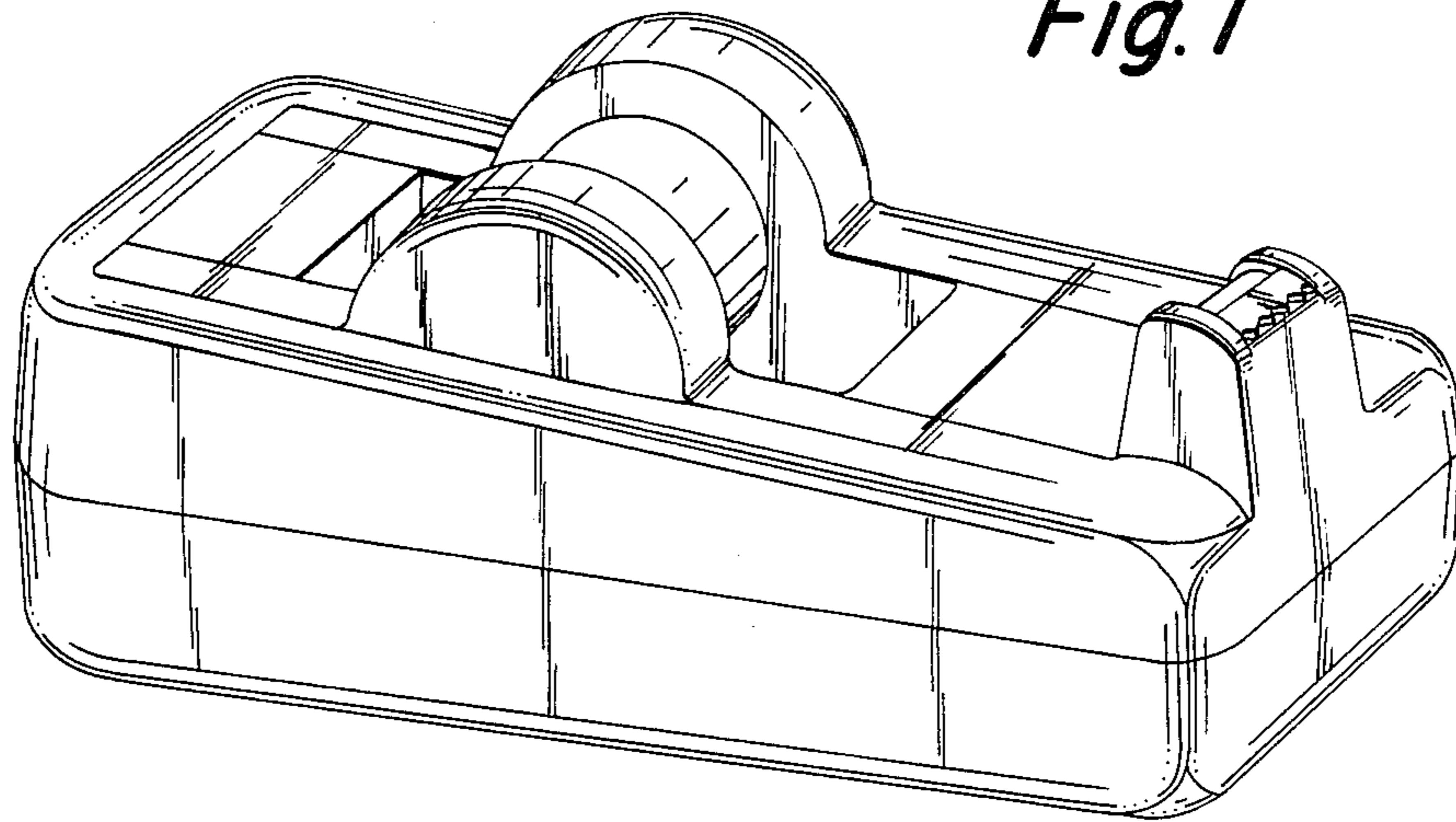
FIG. 4 is a front elevational view thereof.

FIG. 5 is a rear elevational view thereof.

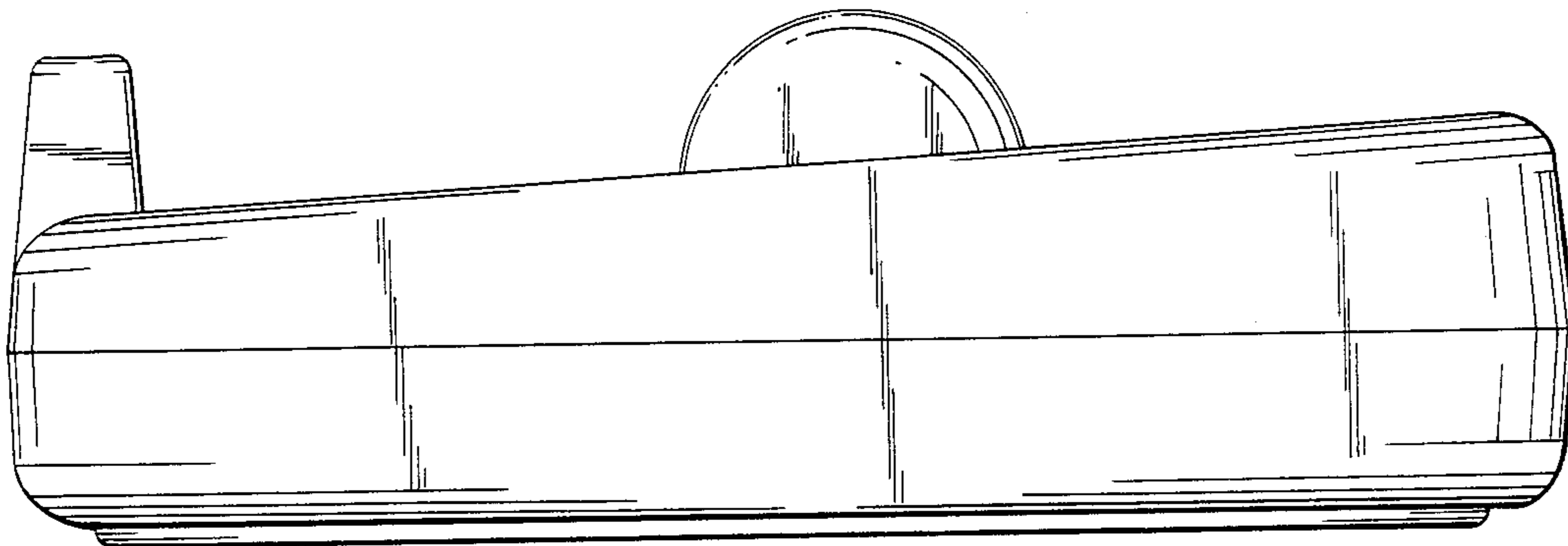
FIG. 6 is a bottom plan view thereof.



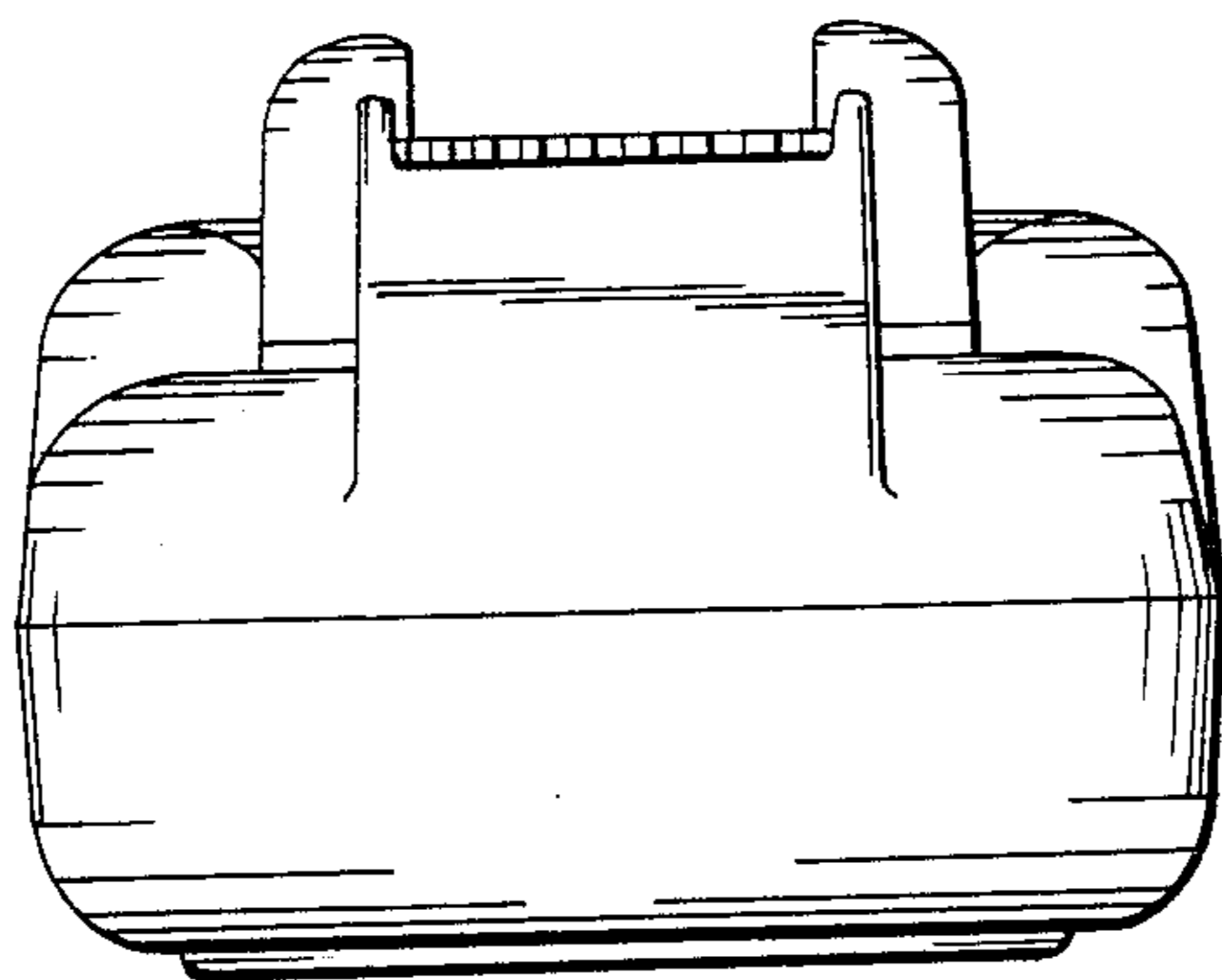
*Fig. 1*



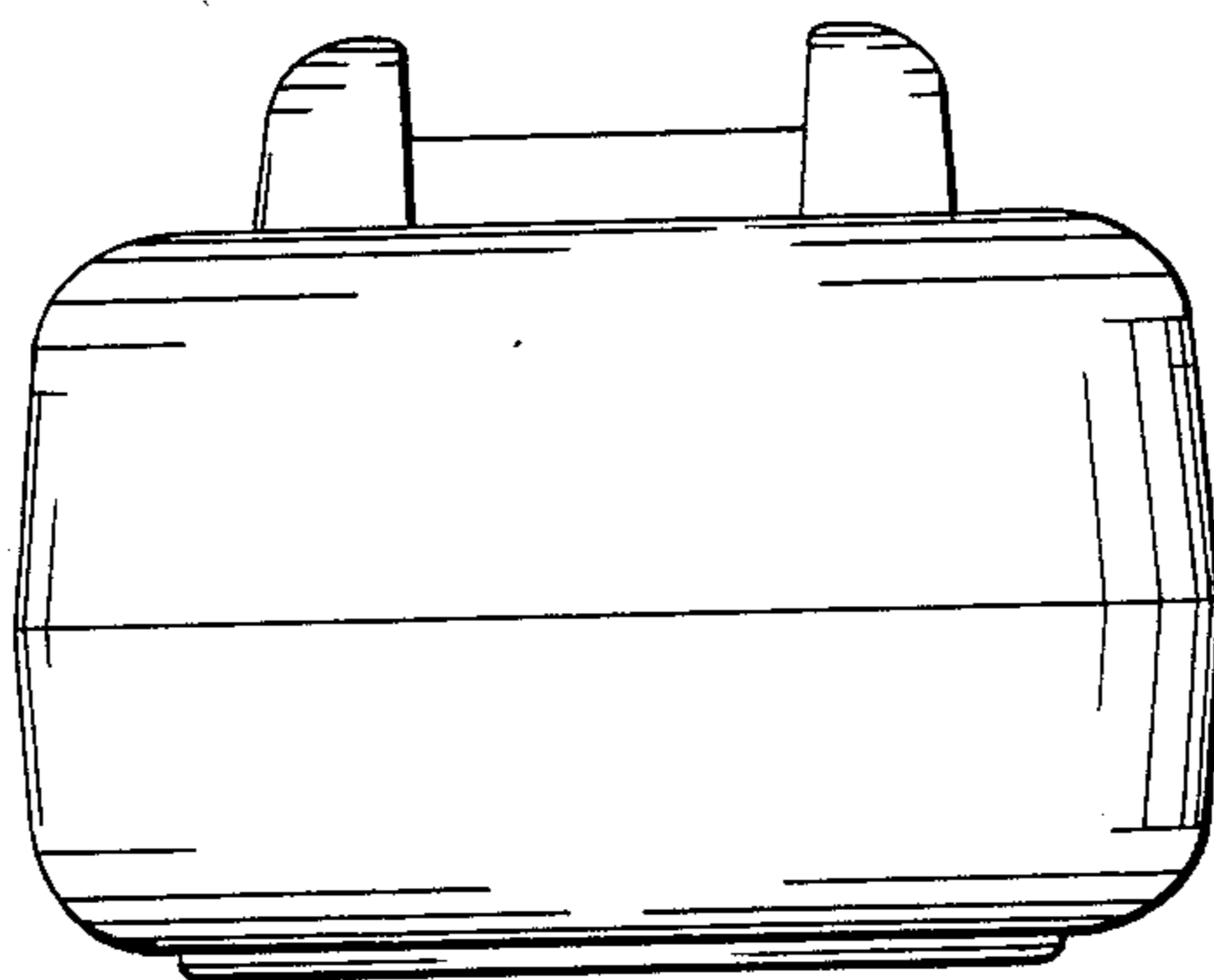
*Fig. 2*



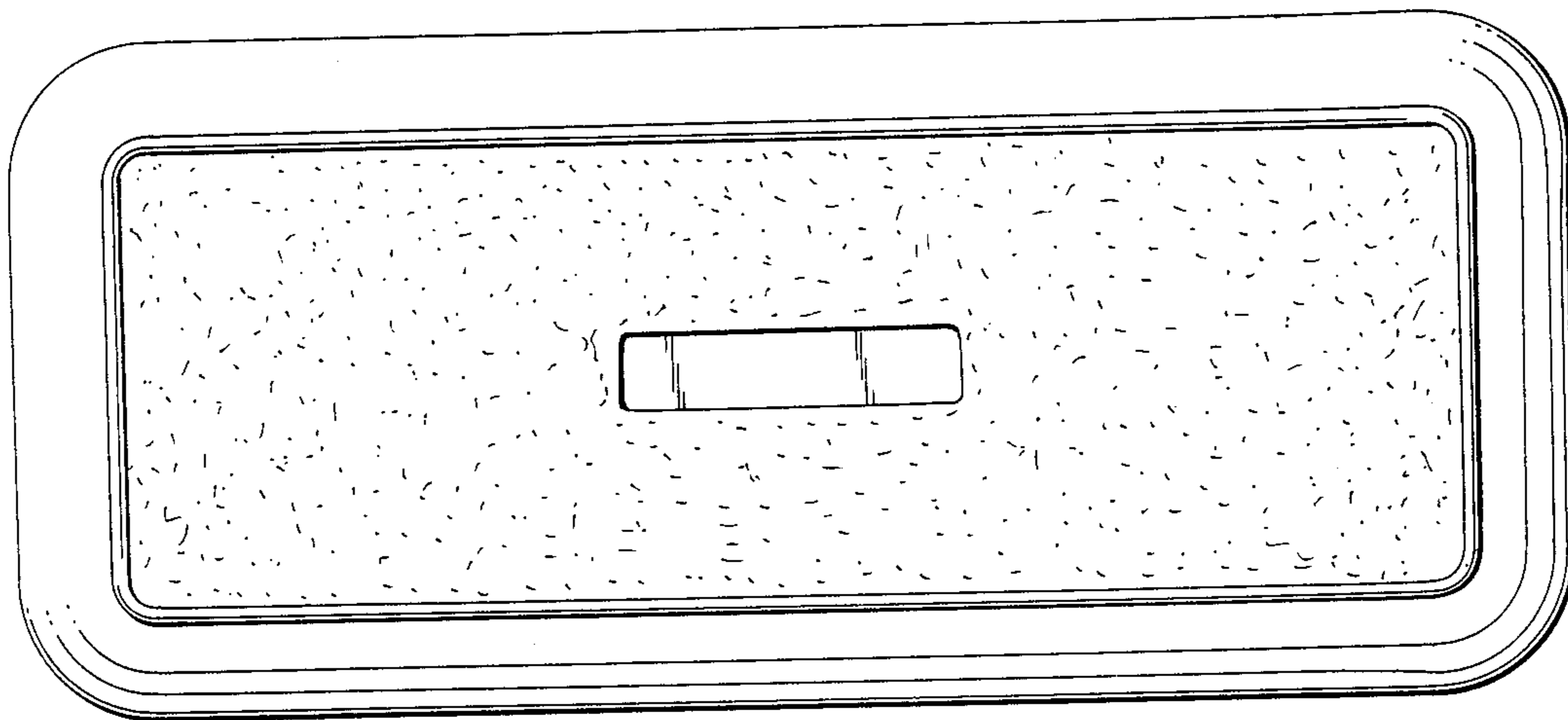
*Fig. 3*



*Fig. 4*



*Fig. 5*



*Fig. 6*