

[54] **LAWN MOWER HOUSING**

[75] Inventor: **Masato Nogawa, Kanagawa, Japan**

[73] Assignee: **Kioritz Corporation, Tokyo, Japan**

[**] Term: **14 Years**

[21] Appl. No.: **790,522**

[22] Filed: **Oct. 23, 1985**

[30] **Foreign Application Priority Data**
 May 20, 1985 [JP] Japan 60-20485

[52] U.S. Cl. **D15/17**

[58] Field of Search D15/14, 17, 33; 56/255,
 56/DIG. 20, 12.7, 12.8, 13.4, 16.7, 17.4, 17.5,
 320.1, 320.2

4,312,174 1/1982 Vanderhoef 56/320.2
 4,326,370 4/1982 Thorud 56/17.5
 4,442,659 4/1984 Enbusk 56/12.7
 4,633,658 5/1985 Nogawa 56/255
 4,633,658 1/1987 Nogawa 56/255

Primary Examiner—Wallace R. Burke
Assistant Examiner—Ruth Takemoto
Attorney, Agent, or Firm—Stevens, Davis, Miller & Mosher

[57] **CLAIM**

The ornamental design for a lawn mower housing, as shown.

DESCRIPTION

FIG. 1 is a right side elevational view of a lawn mower housing showing my new design;
 FIG. 2 is a left side elevational view thereof;
 FIG. 3 is a rear elevational view thereof;
 FIG. 4 is a front elevational view thereof;
 FIG. 5 is a top plan view thereof;
 FIG. 6 is a bottom plan view thereof;
 FIG. 7 is a top, rear and left side perspective view thereof; and
 FIG. 8 is a bottom, front and right side perspective view thereof.

[56] **References Cited**

U.S. PATENT DOCUMENTS

D. 176,120	11/1955	Heineke	D15/14
D. 207,326	4/1967	Stewart	D15/17
D. 215,013	8/1969	Holm	D15/14
D. 249,266	9/1978	Furuya	D15/14
2,648,187	8/1953	Ries	56/25.4
4,302,878	12/1981	Bonforte	30/347

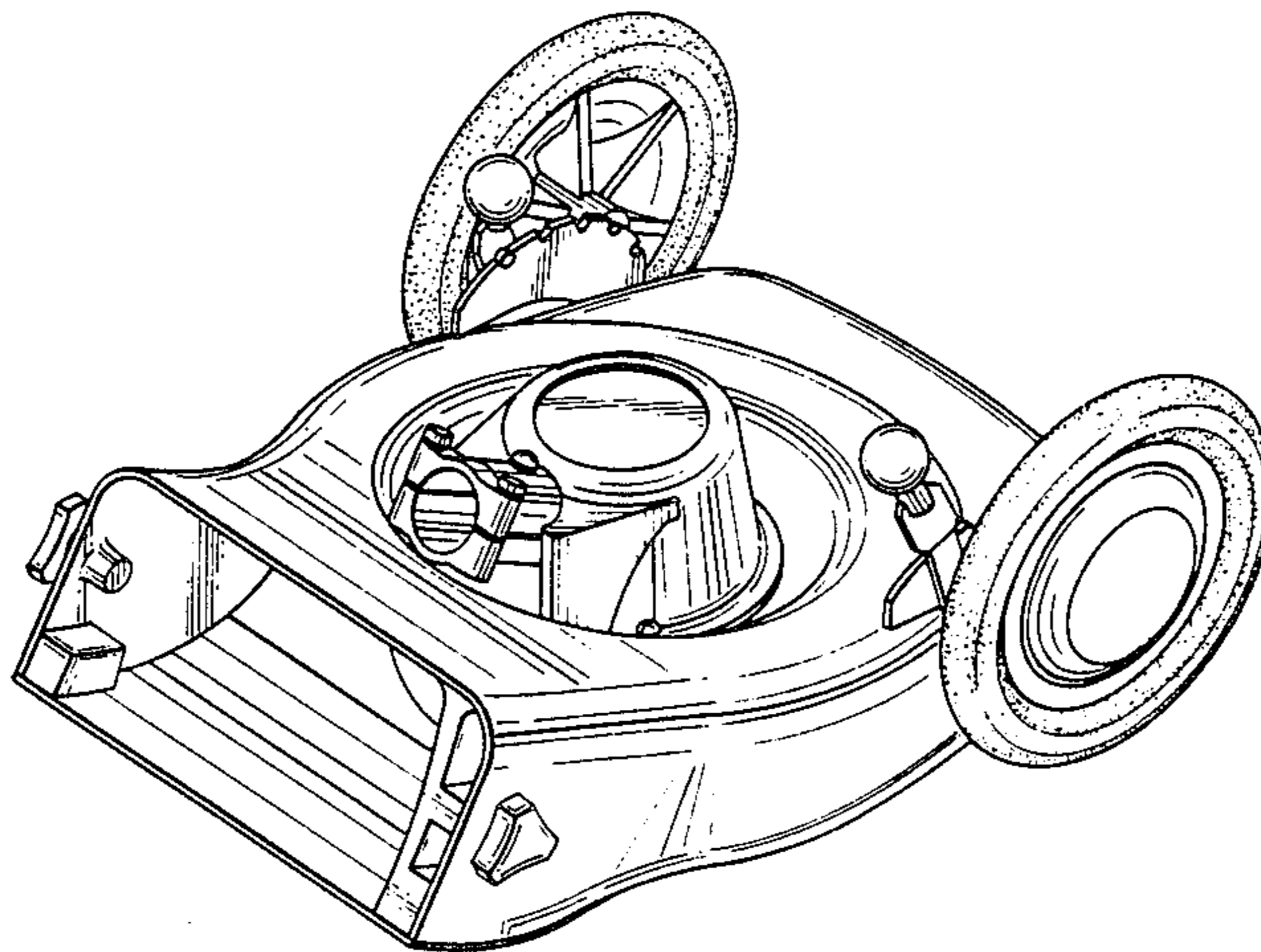


FIG. 1

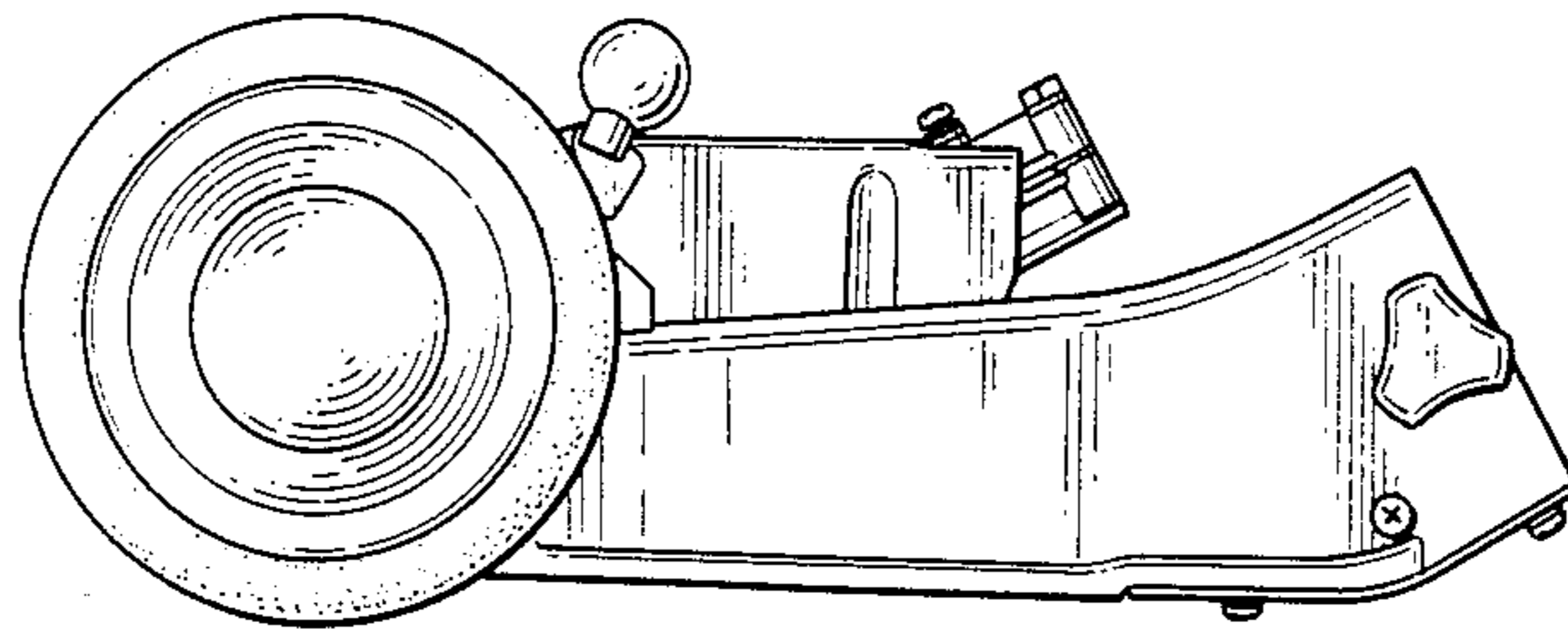


FIG. 2

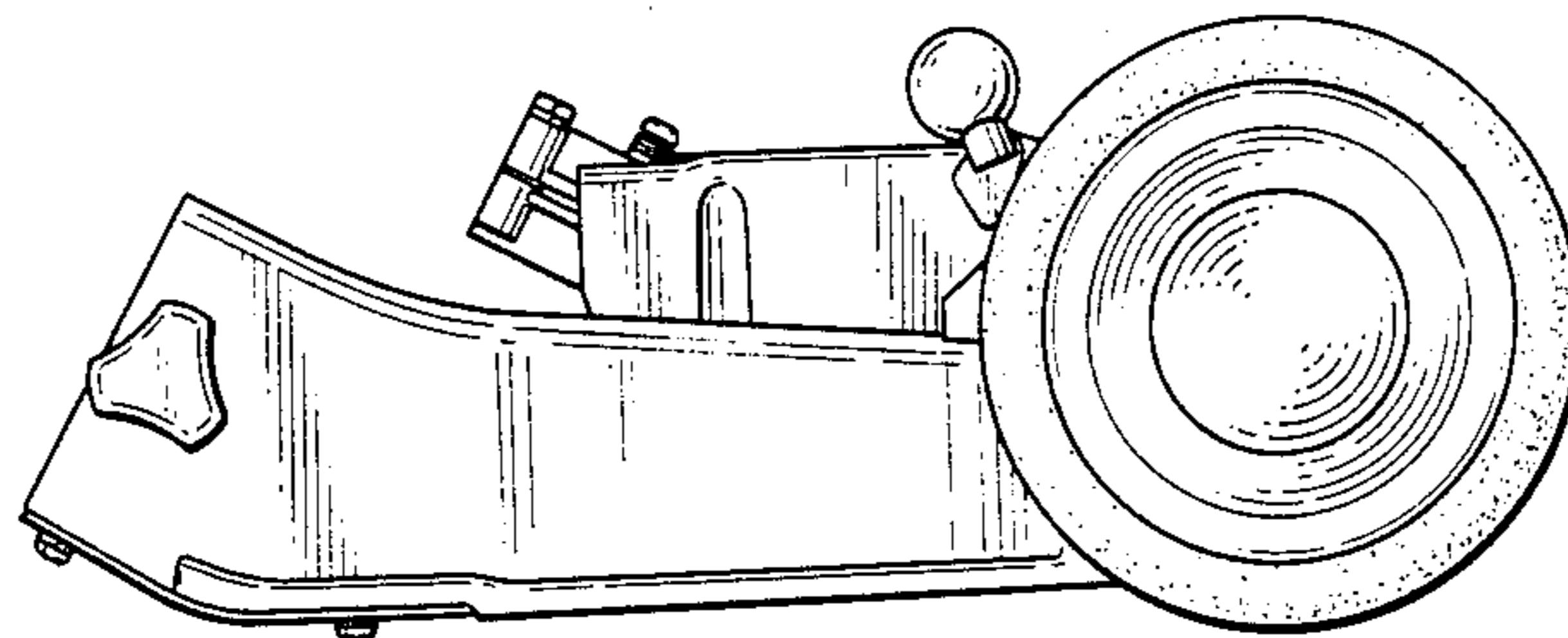


FIG. 3

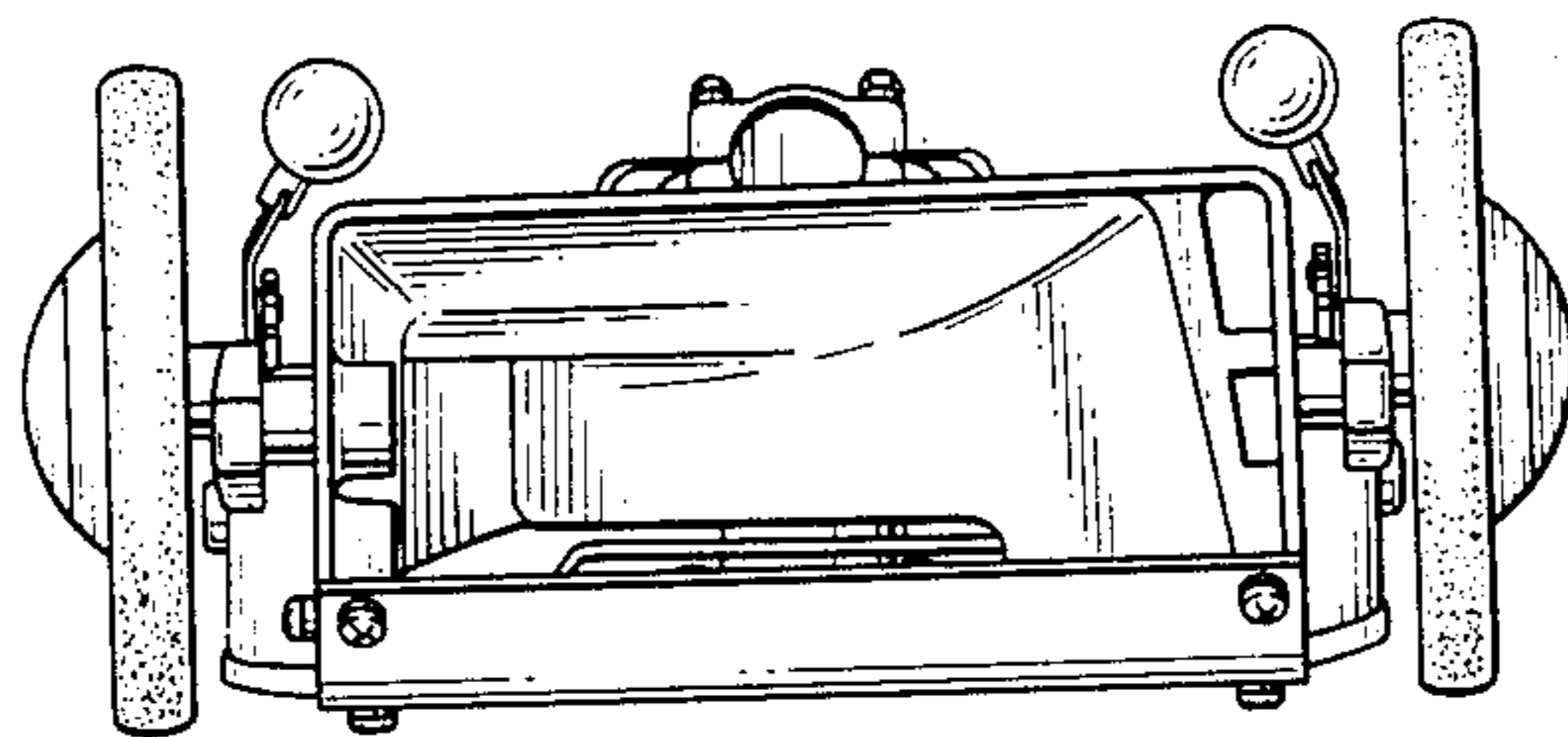


FIG. 4

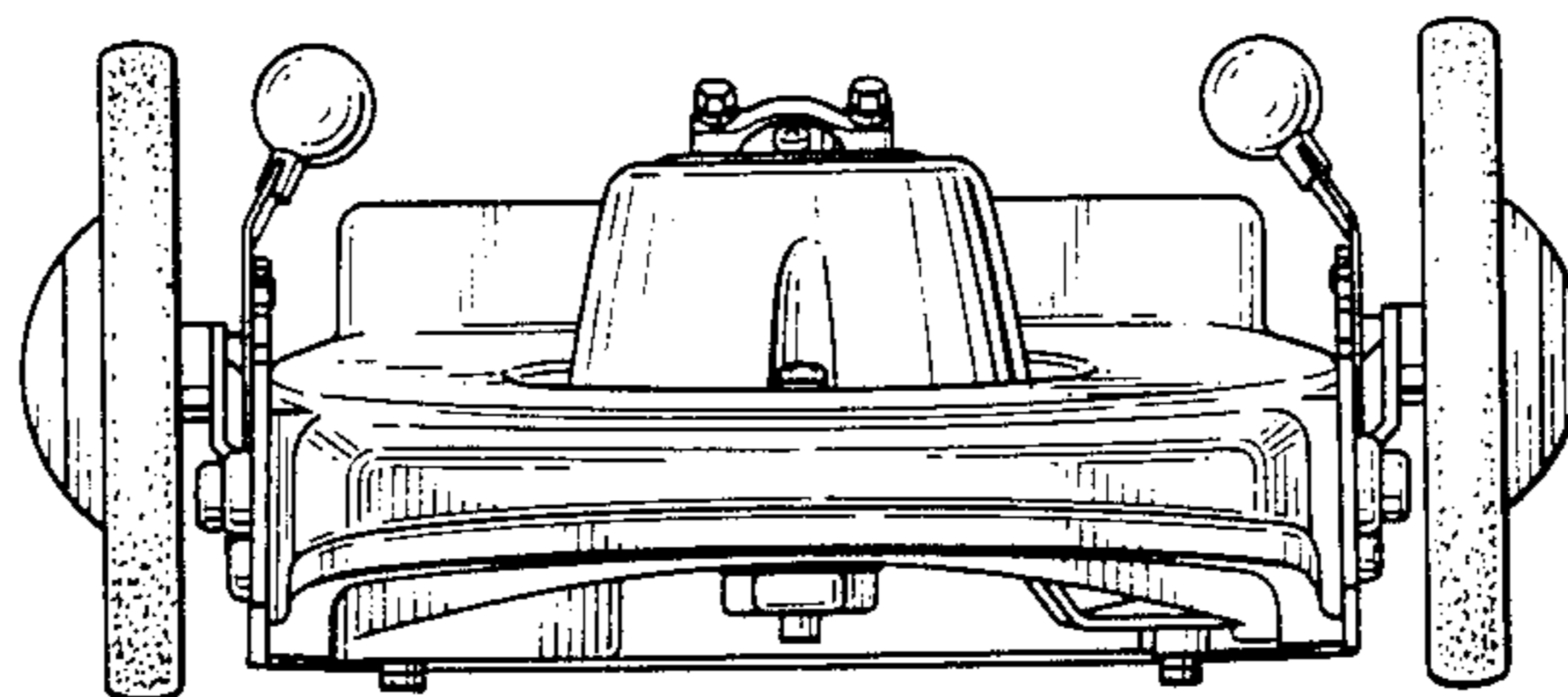


FIG. 5

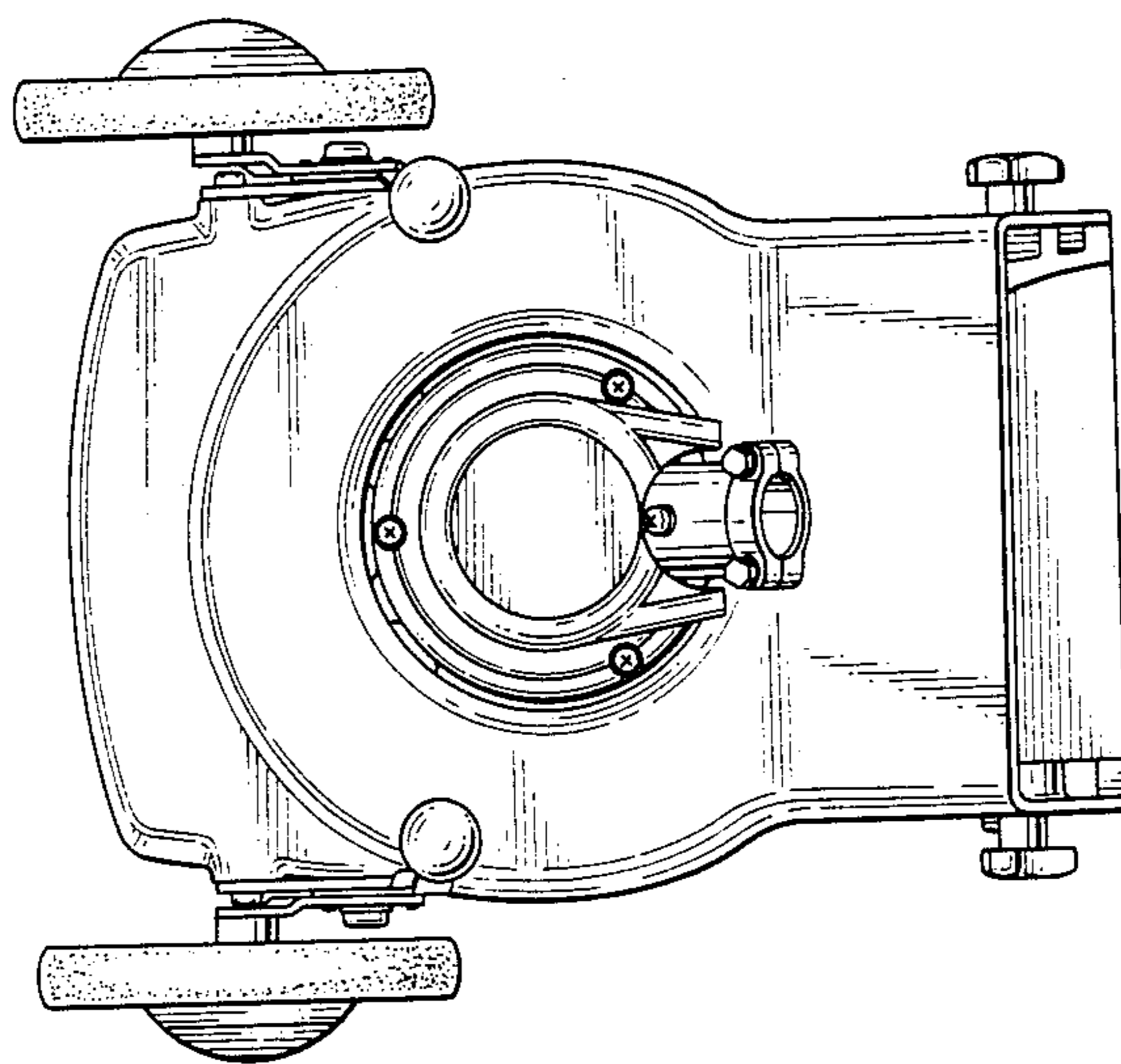


FIG. 6

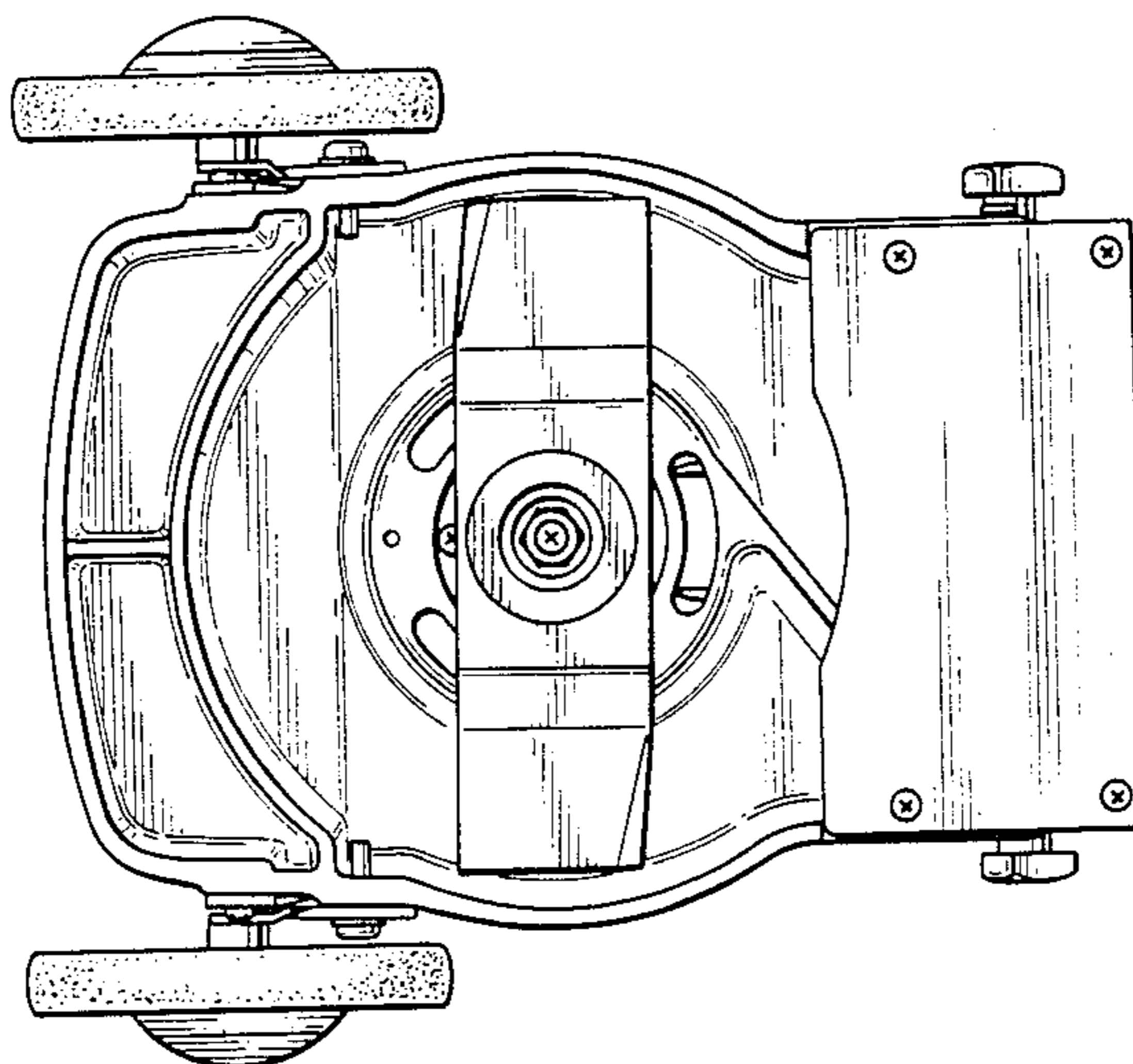


FIG. 7

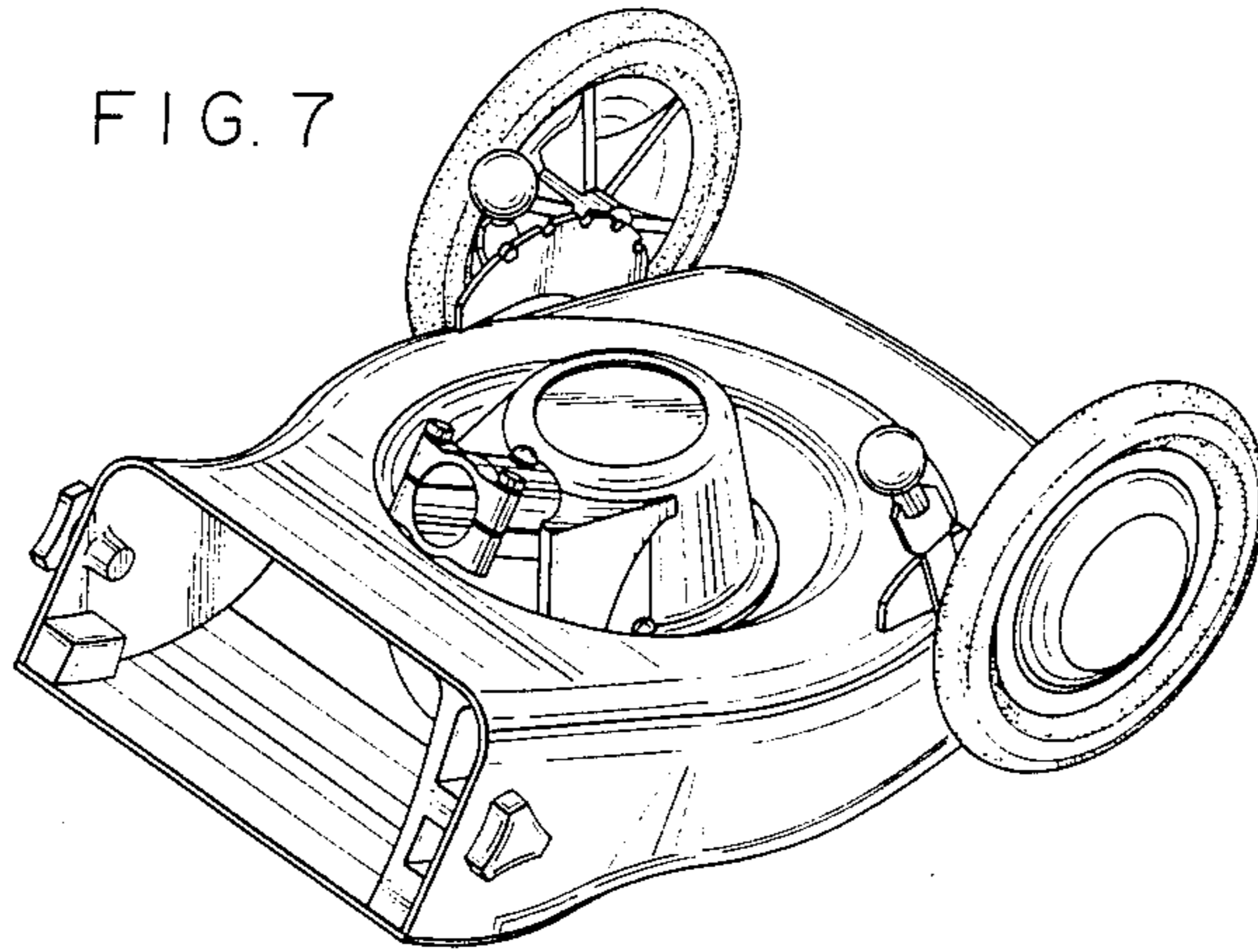


FIG. 8

