

[54] COUNTER TOP POINT OF SALE TERMINAL

[75] Inventors: Marvin K. Brown; Myron F. Davis, Jr.; Joseph F. Talerico, all of Boca Raton, Fla.

[73] Assignee: International Business Machines Corporation, Armonk, N.Y.

[\*\*] Term: 14 Years

[21] Appl. No.: 711,461

[22] Filed: Mar. 18, 1985

[52] U.S. Cl. .... D14/100

[58] Field of Search ..... D14/100, 105, 106, 107, D14/114; D18/4; 235/375, 379, 380, 381, 462; 364/405, 406, 708

[56] References Cited

U.S. PATENT DOCUMENTS

D. 229,564 12/1973 Chadima, Jr. .... D14/100

D. 237,977 12/1975 Isaacs ..... D14/100  
D. 240,654 7/1976 Dobashi et al. .... D18/4  
D. 262,794 1/1982 Dreyer et al. .... D14/106  
4,400,248 4/1984 Teraoka ..... 235/462 X

Primary Examiner—Susan J. Lucas

[57] CLAIM

The ornamental design for a counter top point of sale terminal, as shown.

DESCRIPTION

FIG. 1 is a top, front, and right side perspective view of a counter top point of sale terminal showing our new design;

FIG. 2 is a rear, left side perspective view thereof;

FIG. 3 is a front elevational view thereof;

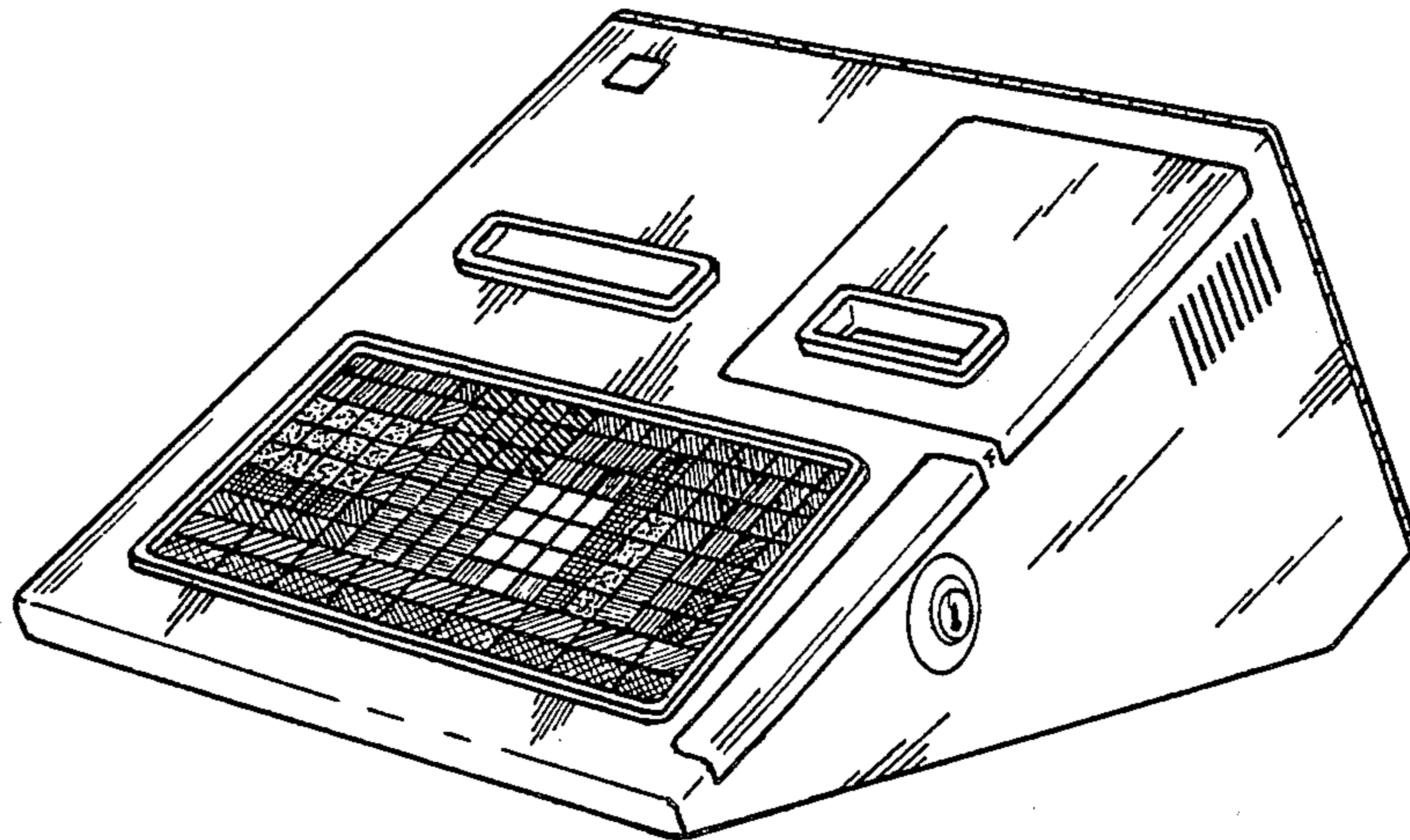
FIG. 4 is a rear elevational view thereof;

FIG. 5 is a left side elevational view thereof;

FIG. 6 is a right side elevational view thereof;

FIG. 7 is a plan view thereof;

FIG. 8 is a bottom plan view thereof.



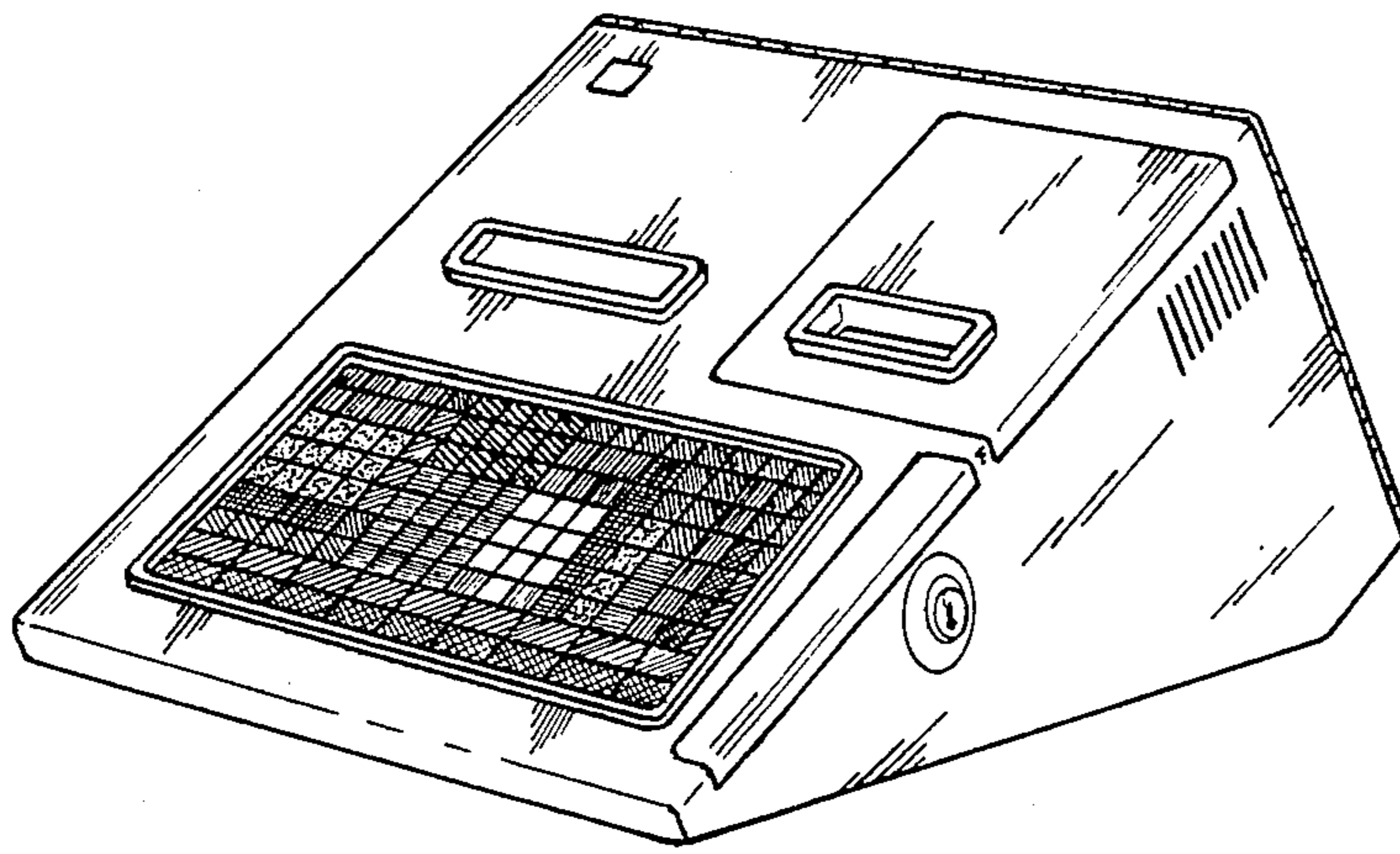


FIG. 1

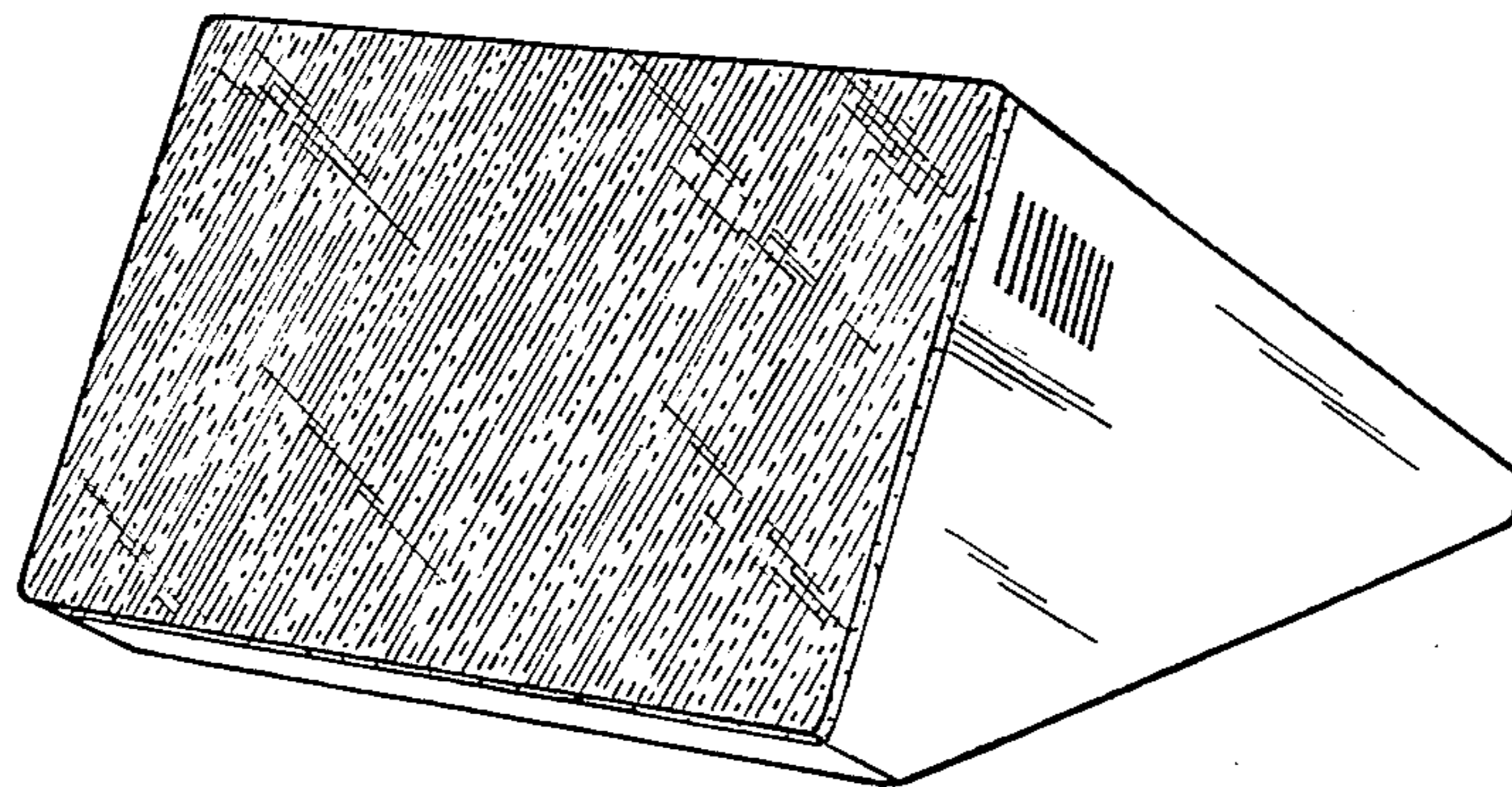


FIG. 2

FIG. 3

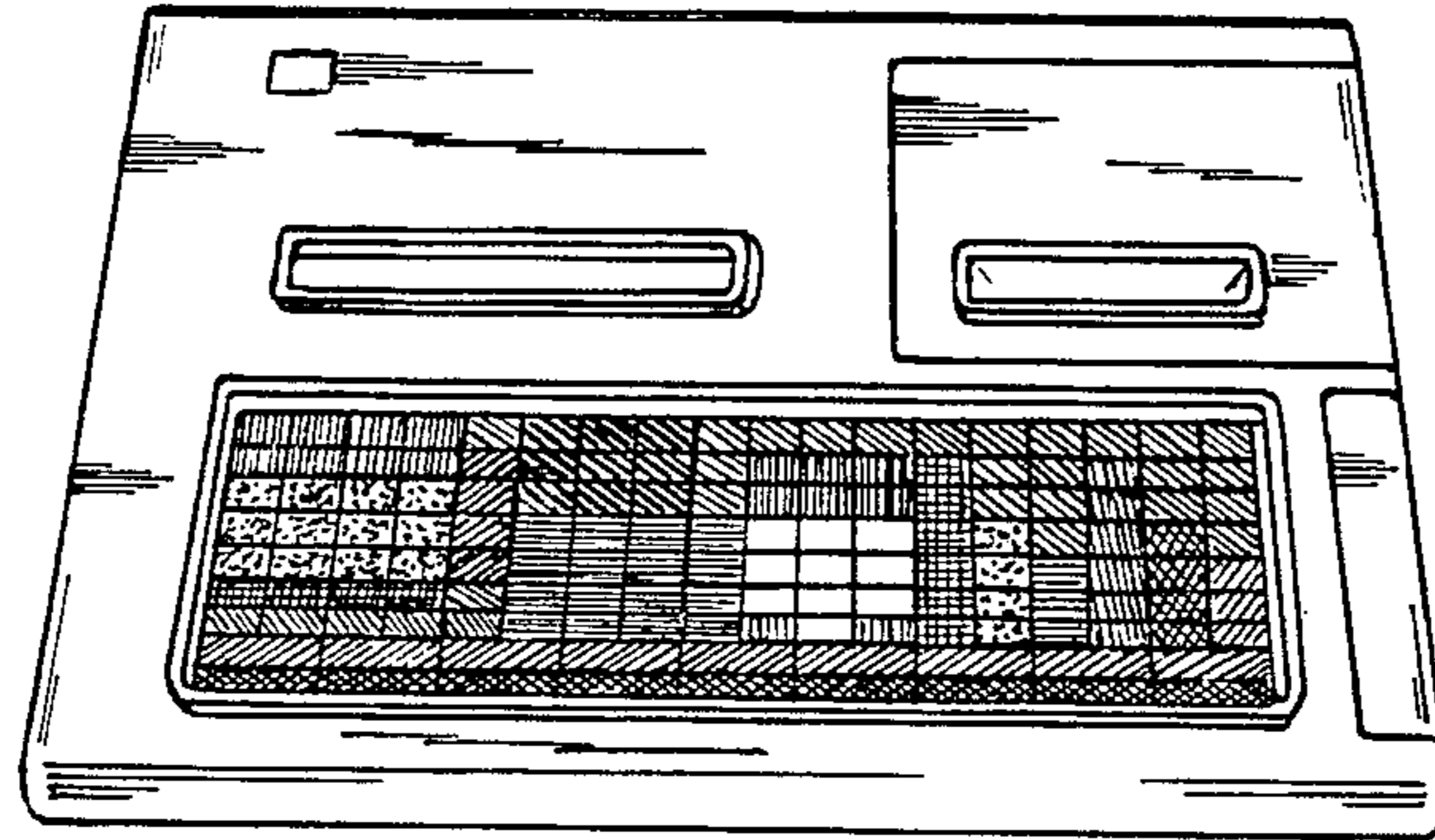


FIG. 4

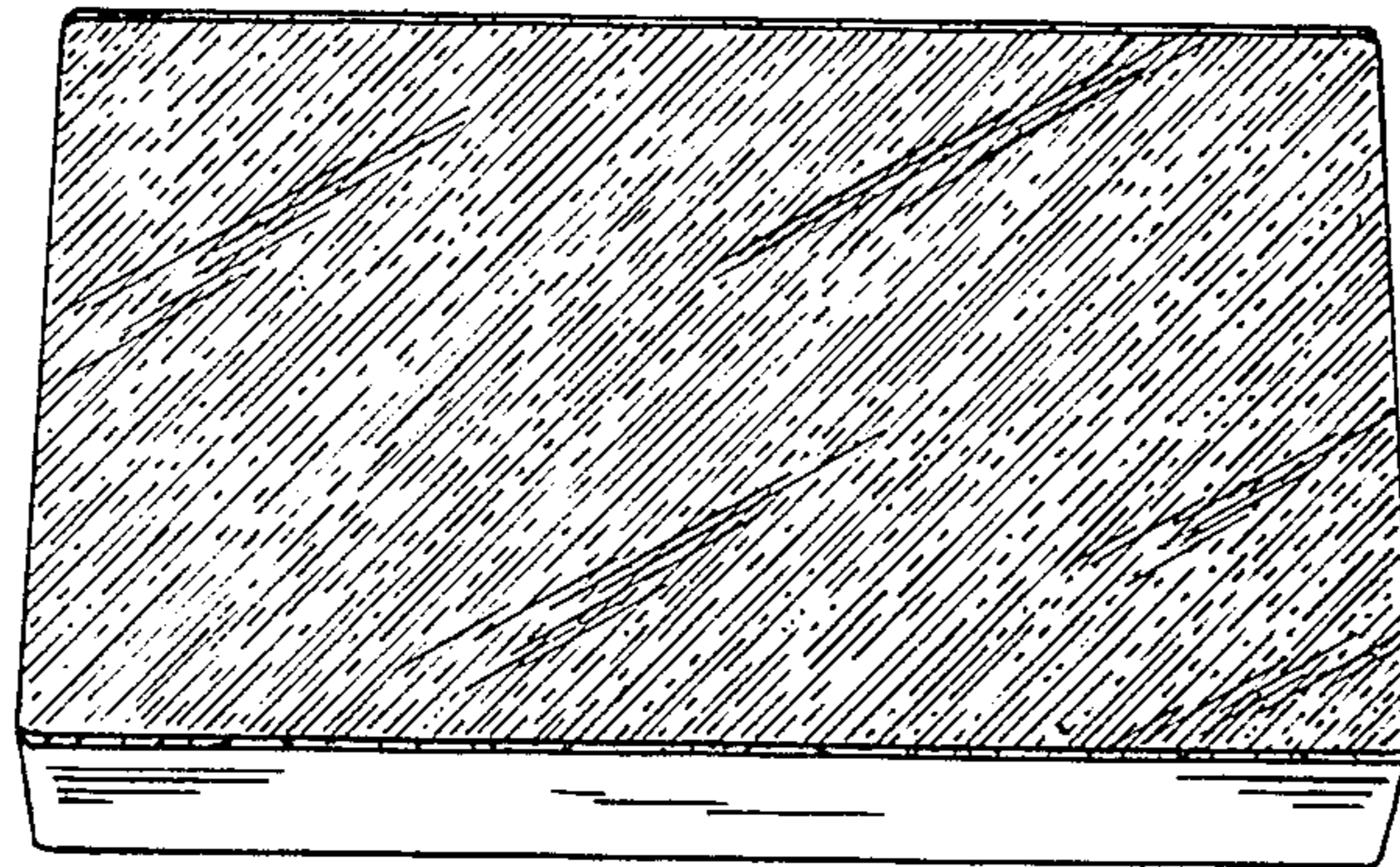


FIG. 5

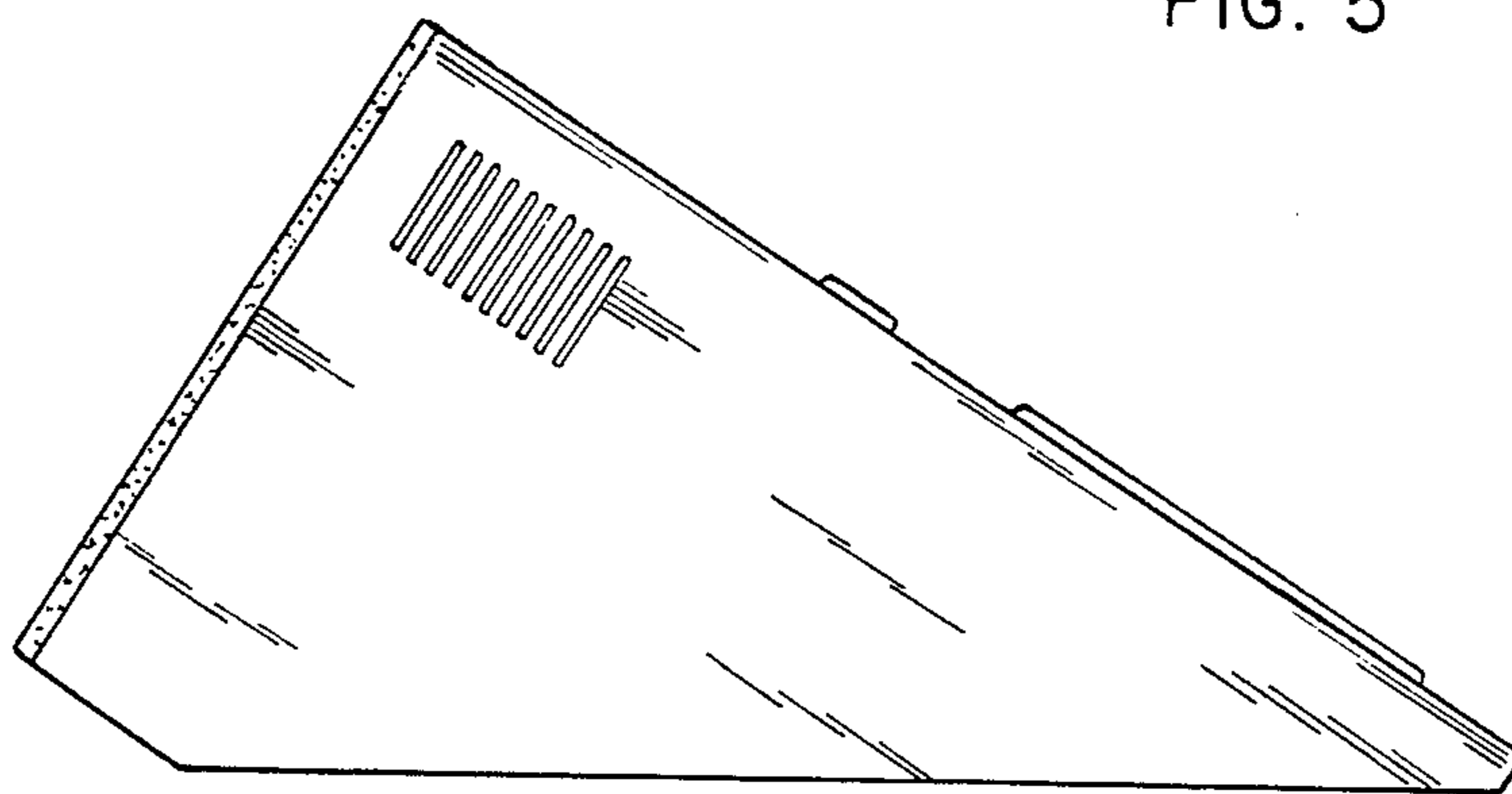
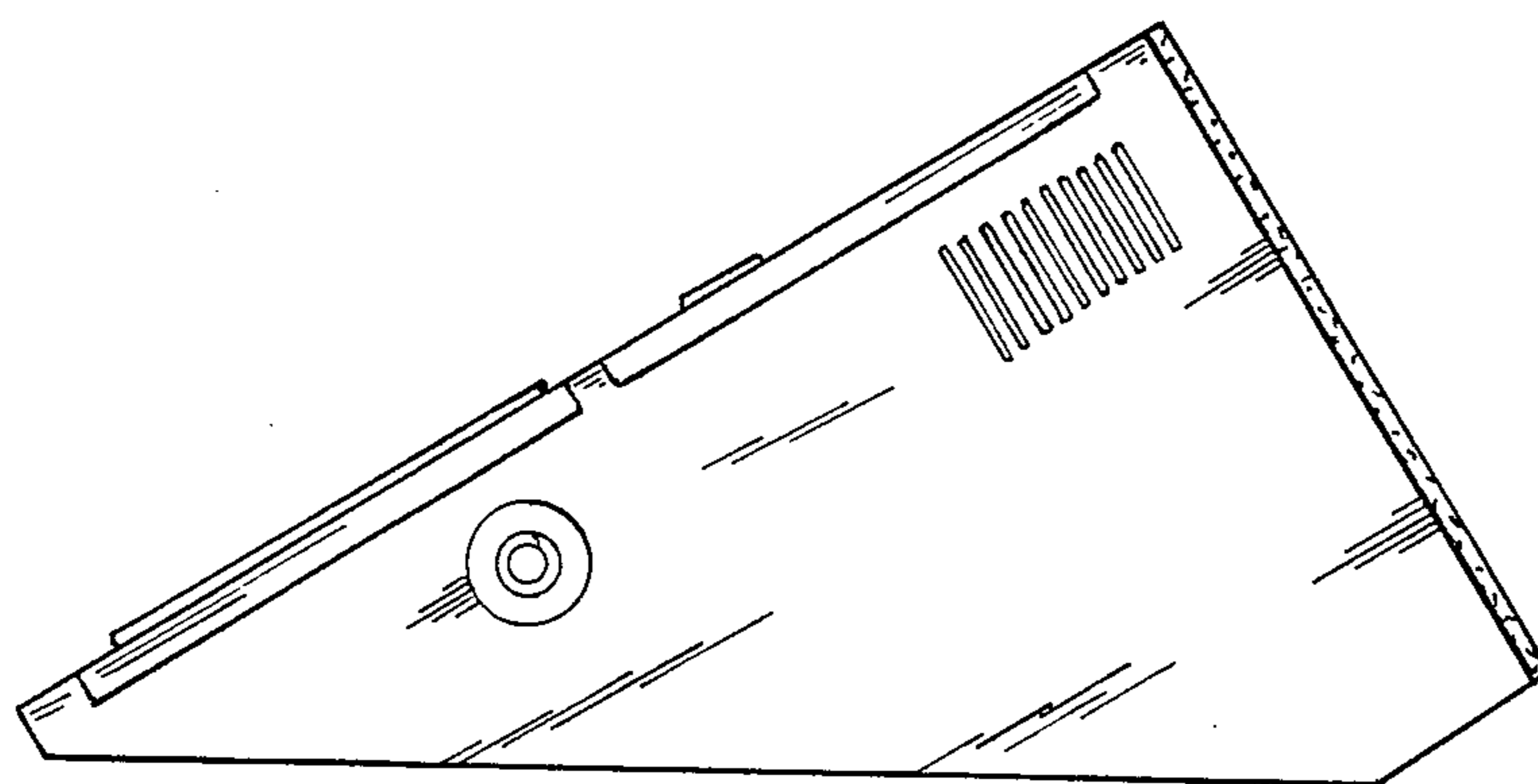


FIG. 6



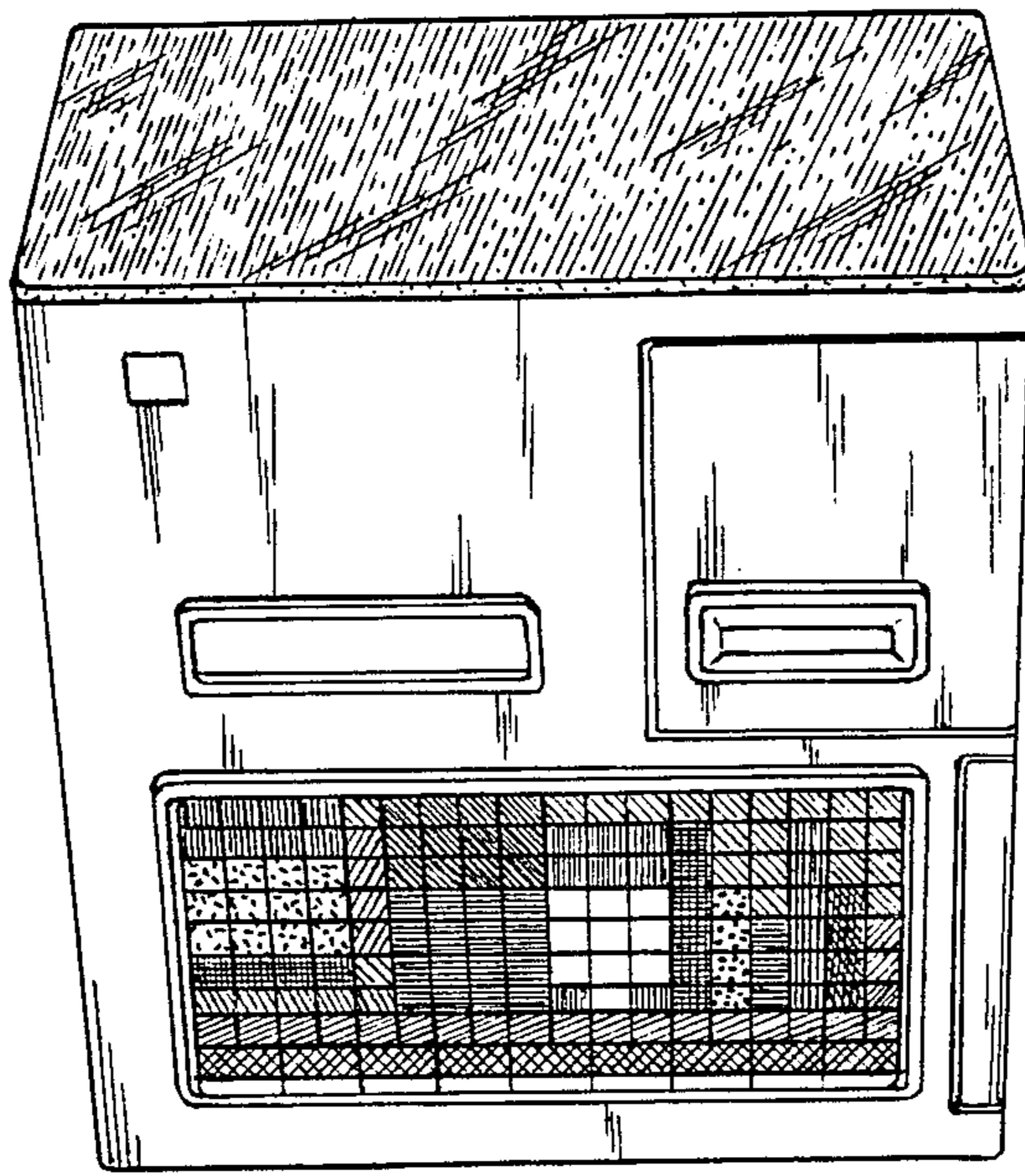


FIG. 7

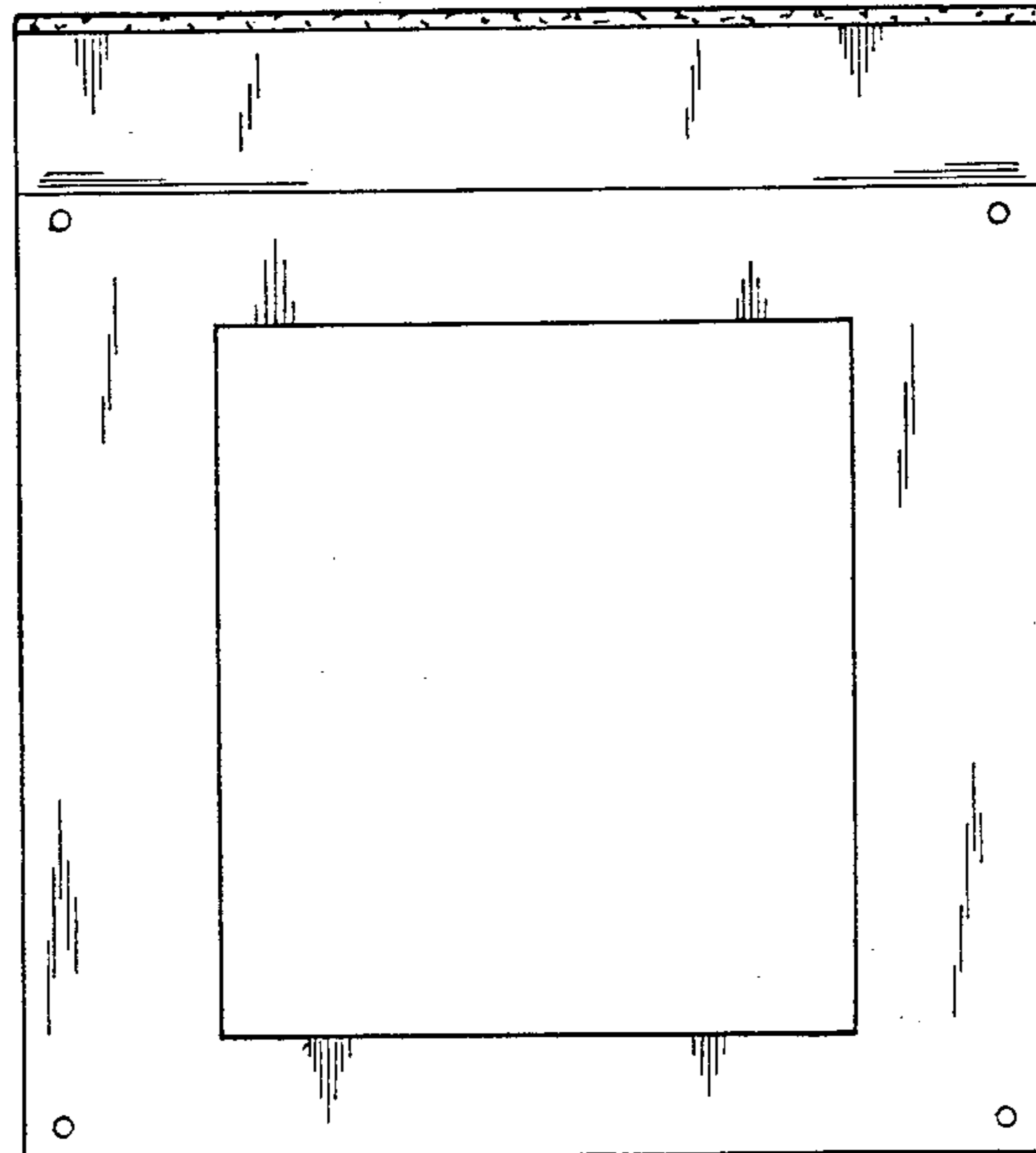


FIG. 8