

[54] HOUSING FOR ELECTRONIC EQUIPMENT FOR CABLE TELEVISION INSTALLATION

[76] Inventor: William H. Channell, 122 Oak Tree Dr., Glendora, Calif. 91740

[**] Term: 14 Years

[21] Appl. No.: 724,997

[22] Filed: Apr. 19, 1985

[52] U.S. Cl. D13/40; D14/90; D14/99

[58] Field of Search D14/77, 84, 90, 99; D6/432, 448; 174/50, 52; 361/380, 383, 390, 391; D13/12, 40-41, 99; 220/DIG. 12, DIG. 14; 330/127

[56] References Cited

U.S. PATENT DOCUMENTS

- D. 245,905 9/1977 Taylor D13/41
- 4,133,021 1/1979 King et al. 361/390
- 4,158,102 6/1979 Bright 174/52 R

FOREIGN PATENT DOCUMENTS

- 1114626 4/1956 France 181/202

OTHER PUBLICATIONS

Allied Electronics, 1964, p. 357, Instrument & Receiver Cabinets.

Primary Examiner—Wallace R. Burke

Assistant Examiner—Ruth Takemoto

Attorney, Agent, or Firm—Christie, Parker & Hale

[57] CLAIM

The ornamental design for housing for electronic equipment for cable television installation, substantially as shown and described.

DESCRIPTION

FIG. 1 is a top perspective view of a housing for electronic equipment for cable television installation showing my new design;

FIG. 2 is a side elevational view thereof;

FIG. 3 is a front elevational thereof;

FIG. 4 is a top plan view thereof; and

FIG. 5 is a rear elevational view thereof.

The base of the housing in FIGS. 1-5 is shown in broken lines for illustrative purposes only and forms no part of the claimed design.

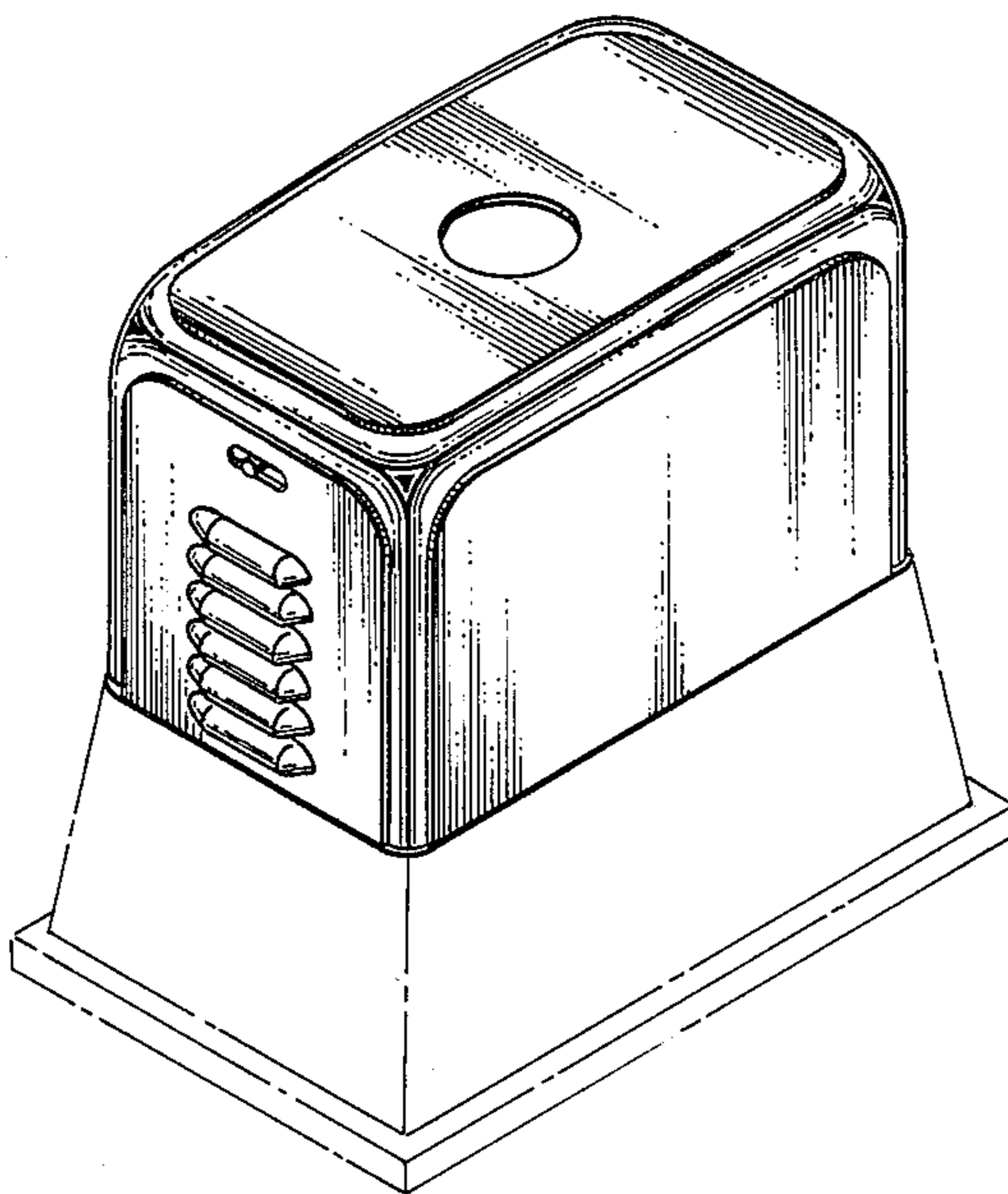


Fig. 1

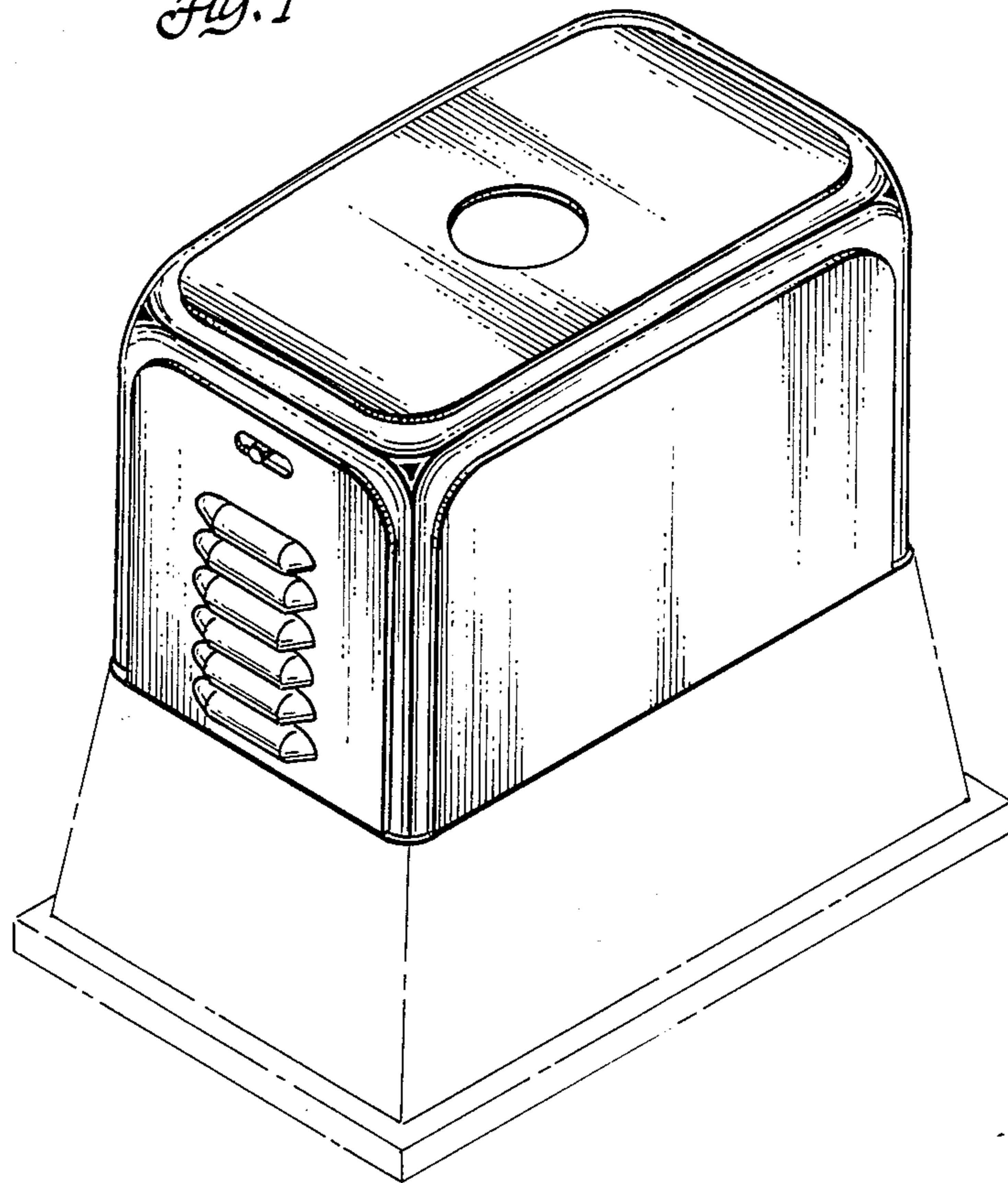


Fig. 2

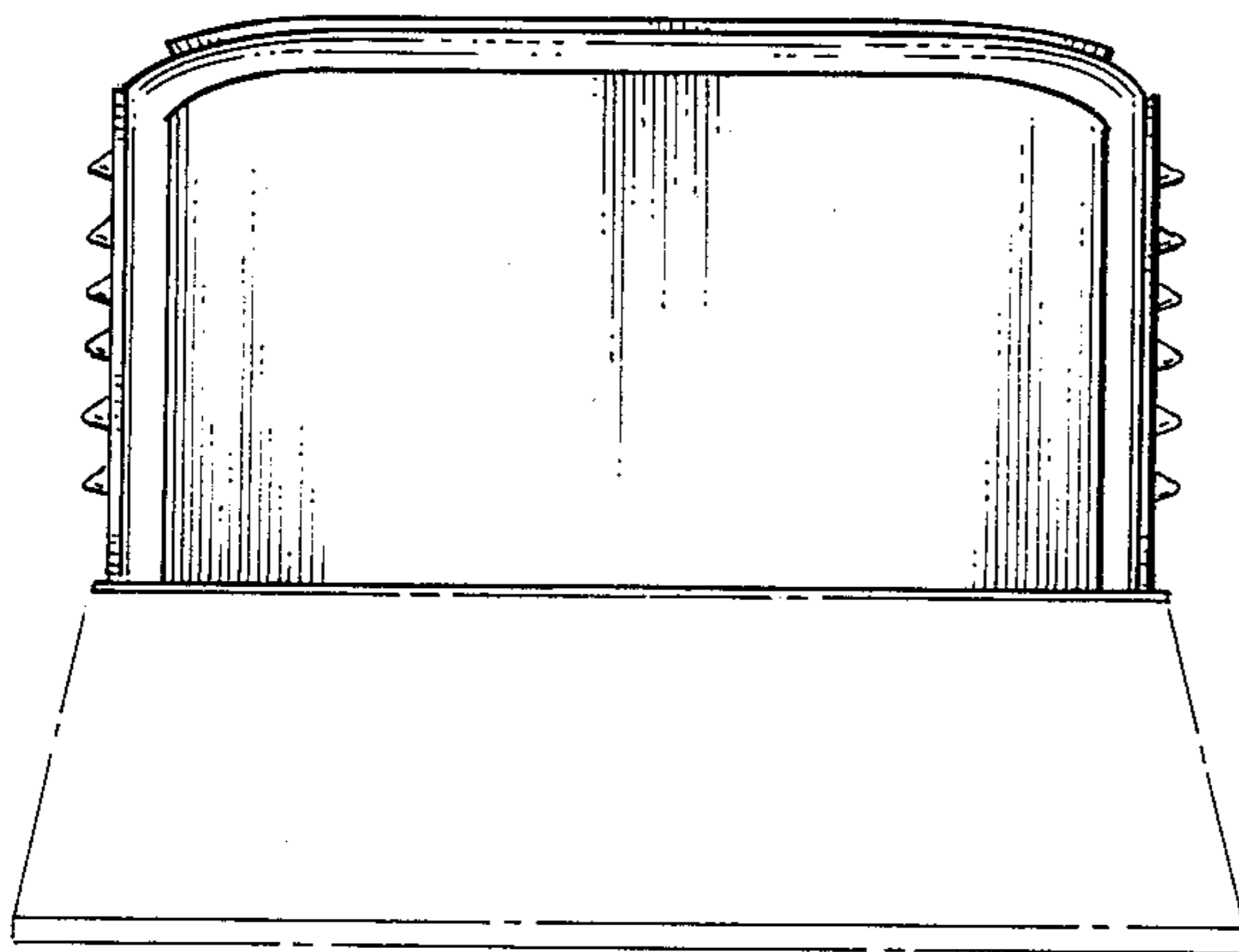


Fig. 3

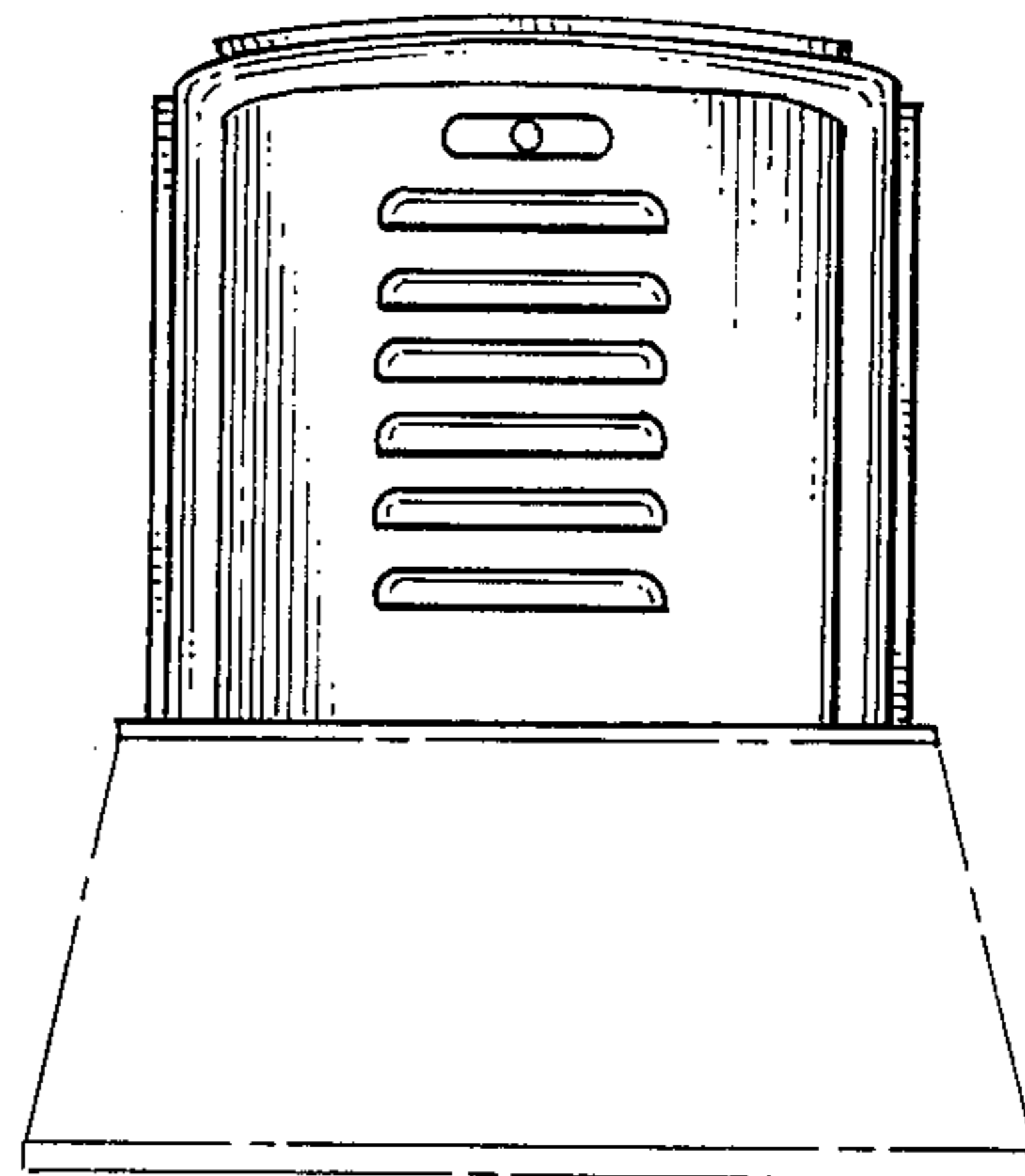


Fig. 4

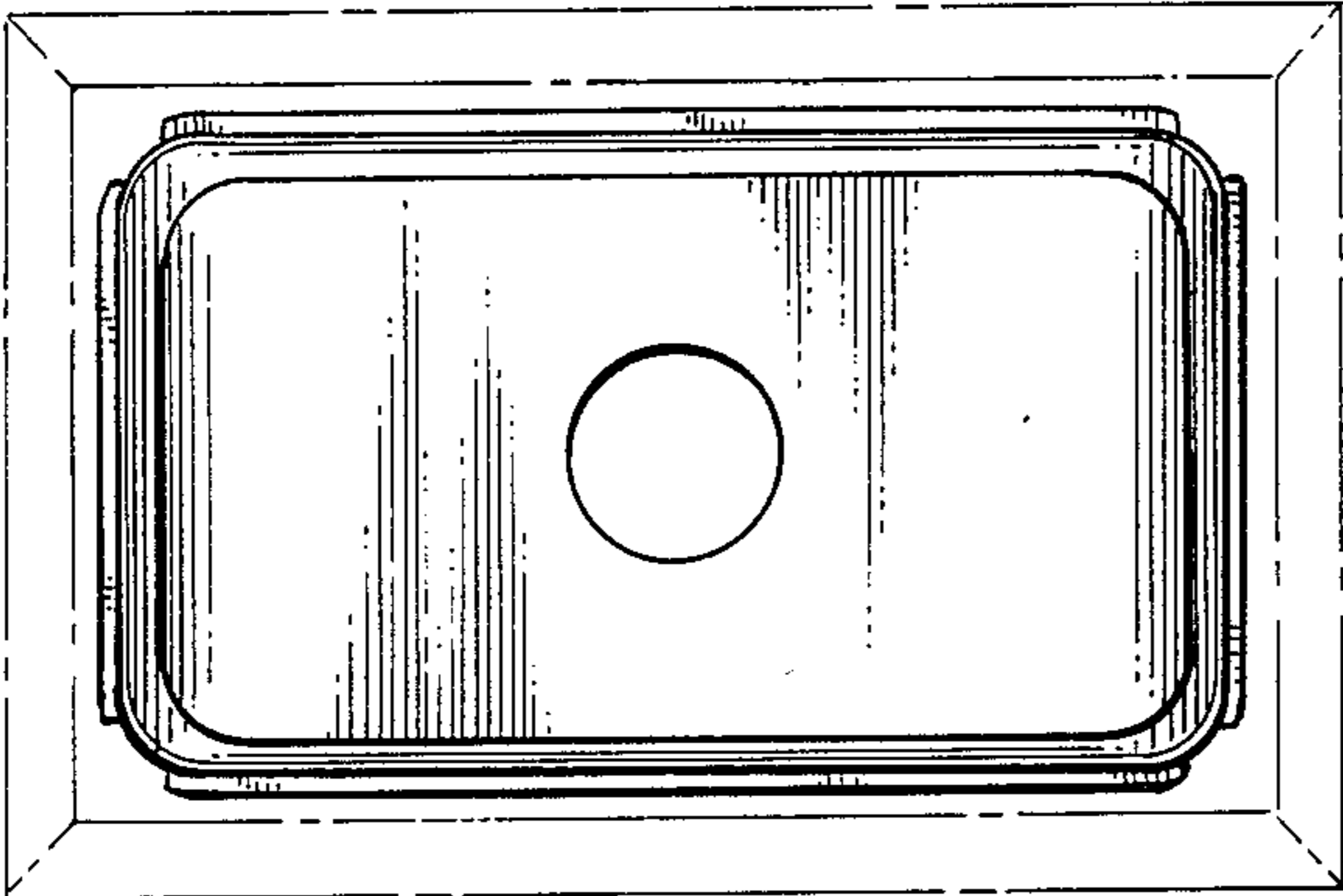


Fig. 5

