

[54] NON-PNEUMATIC WHEEL OR SIMILAR ARTICLE

[75] Inventor: Edward G. Markow, Oakdale, N.Y.

[73] Assignee: Grumman Aerospace Corporation, Bethpage, N.Y.

[**] Term: 14 Years

[21] Appl. No.: 806,635

[22] Filed: Dec. 9, 1985

[52] U.S. Cl. D12/211

[58] Field of Search D12/209, 211, 212, 135; 301/63 PW, 63 R, 64 R, 64 SD, 65; 152/5

[56] References Cited

U.S. PATENT DOCUMENTS

D. 212,533 10/1968 Barr D12/135

D. 235,432 6/1975 May et al. D12/211
2,090,254 8/1937 Eksergian 301/63 R
4,350,196 9/1982 Hampshire 301/63 PW
4,558,727 12/1985 Golata et al. 152/5

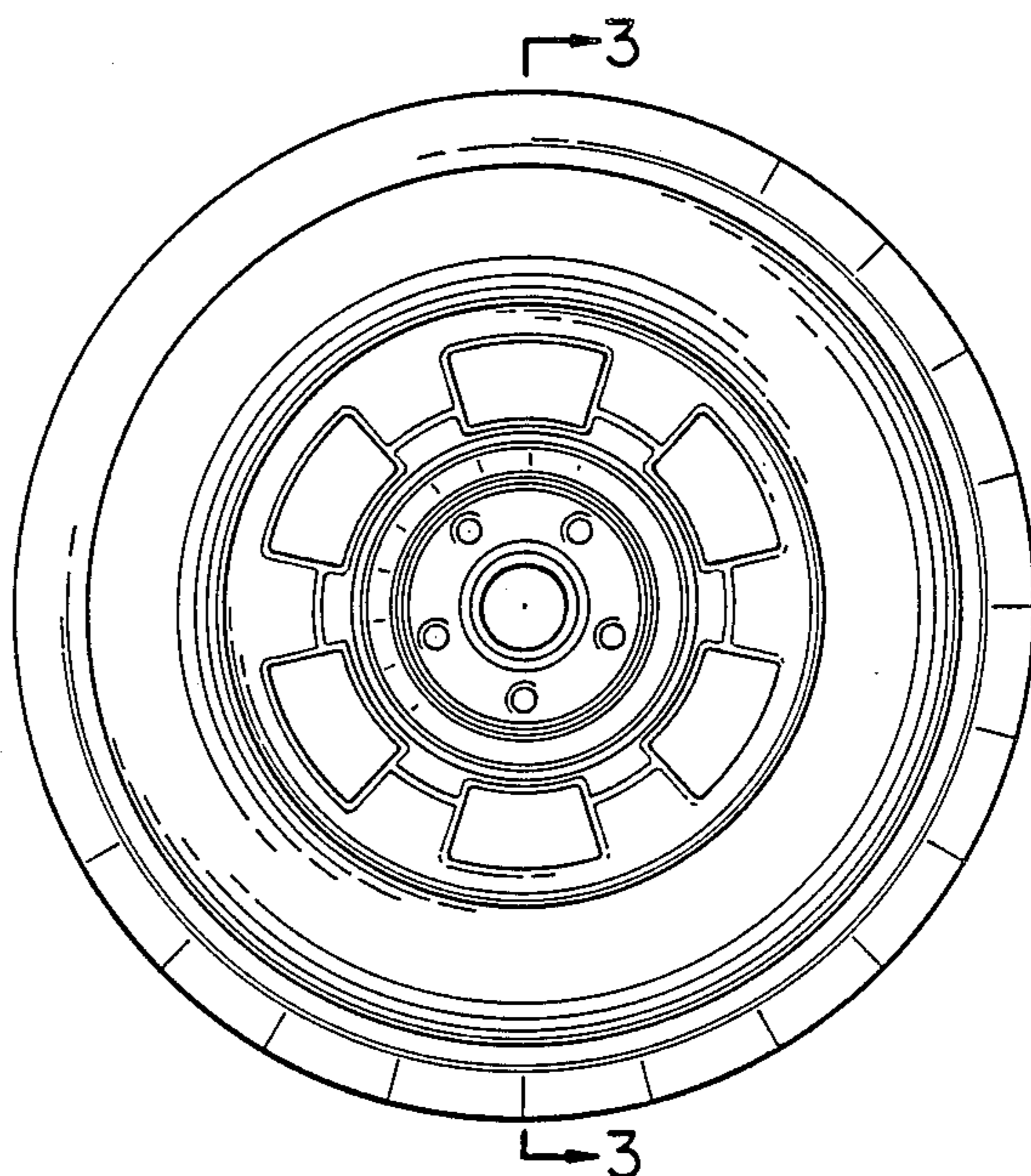
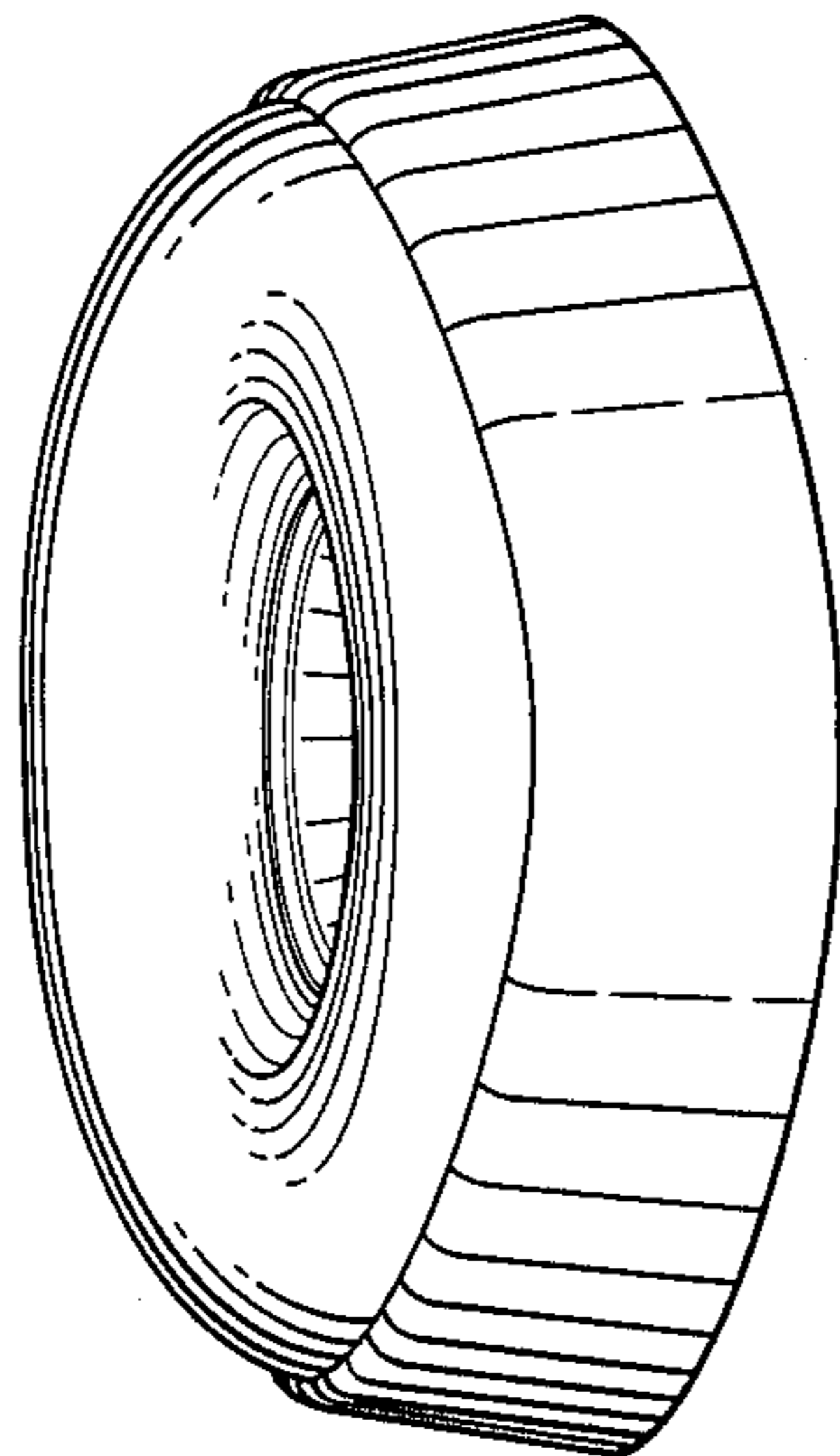
Primary Examiner—James M. Gandy
Attorney, Agent, or Firm—Richard G. Geib; Daniel Jay Tick; Bernard S. Hoffman

[57] CLAIM

The ornamental design for a non-pneumatic wheel or similar article, as shown.

DESCRIPTION

FIG. 1 is a perspective view of the non-pneumatic wheel or similar article showing my design;
FIG. 2 is a front elevation view thereof;
FIG. 3 is an enlarged cross sectional view thereof taken along line 3—3 in FIG. 2; and
FIG. 4 is a rear elevation view thereof.



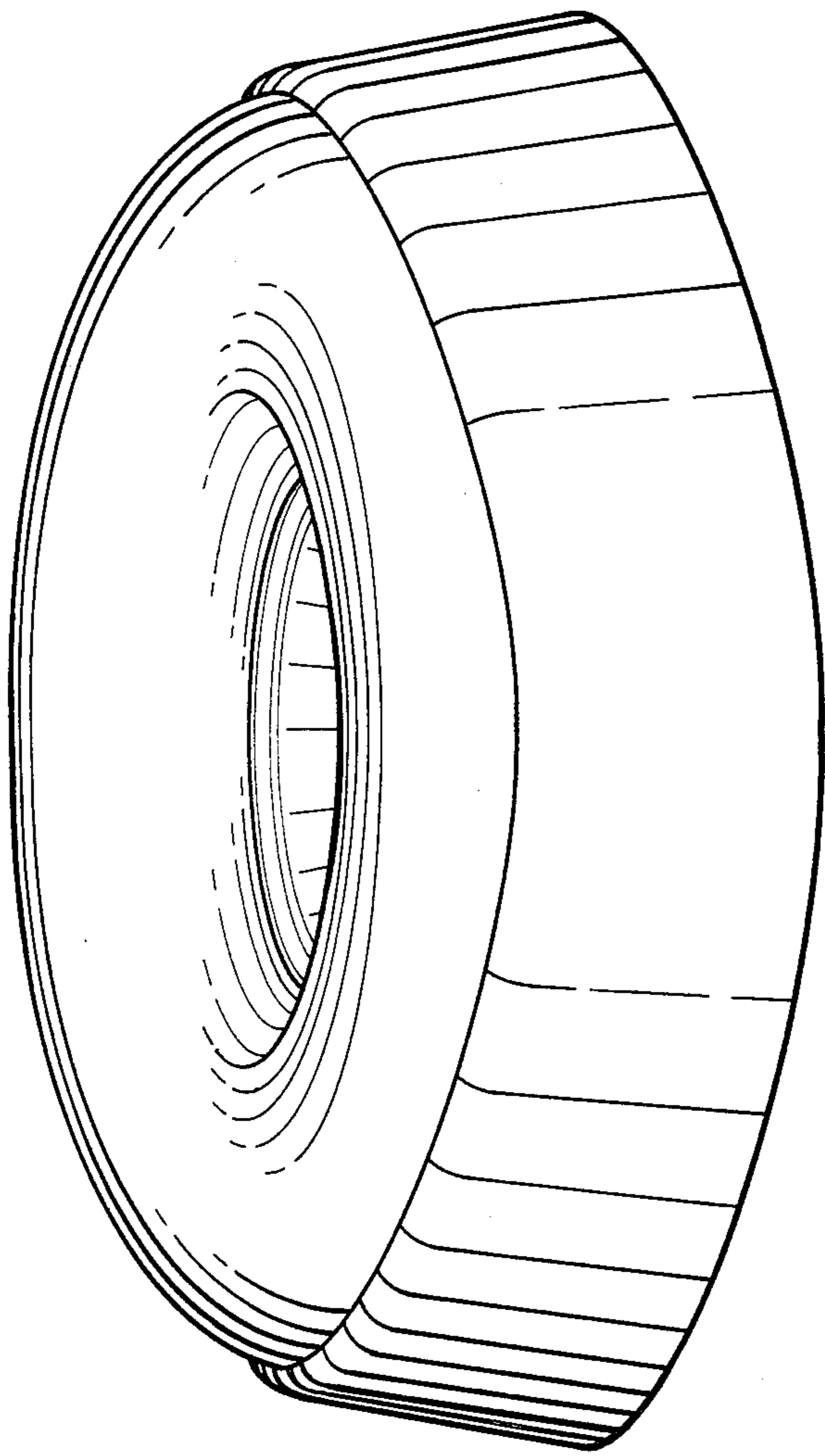


FIG. 1

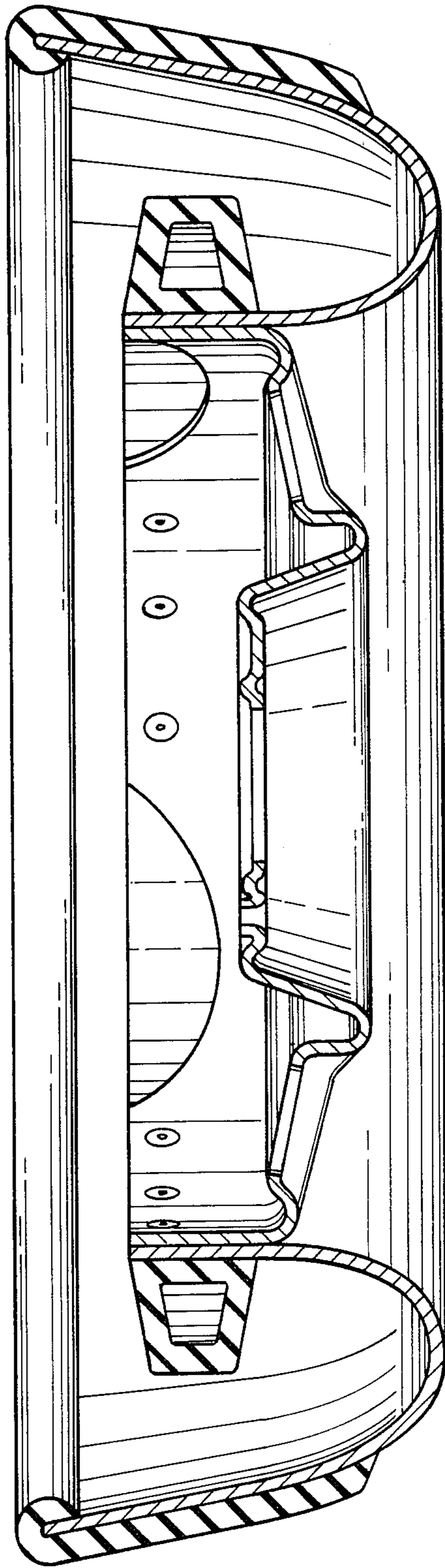


FIG. 3

