

[54] LICENSE PLATE FRAME

[76] Inventor: John L. Corey, 1700 S. Avalon Blvd., Ste. 55, Carson, Calif. 90746

[**] Term: 14 Years

[21] Appl. No.: 850,896

[22] Filed: Apr. 8, 1986

[52] U.S. Cl. D12/193

[58] Field of Search D12/193; D6/303, 300, D6/310, 311, 313; 40/200, 209, 152, 153

[56] References Cited

U.S. PATENT DOCUMENTS

373,384	11/1887	Works	40/153
700,548	5/1902	Nelson	40/153
1,194,238	8/1916	Roberts	40/153

2,590,763 3/1952 Floyd et al. 40/209

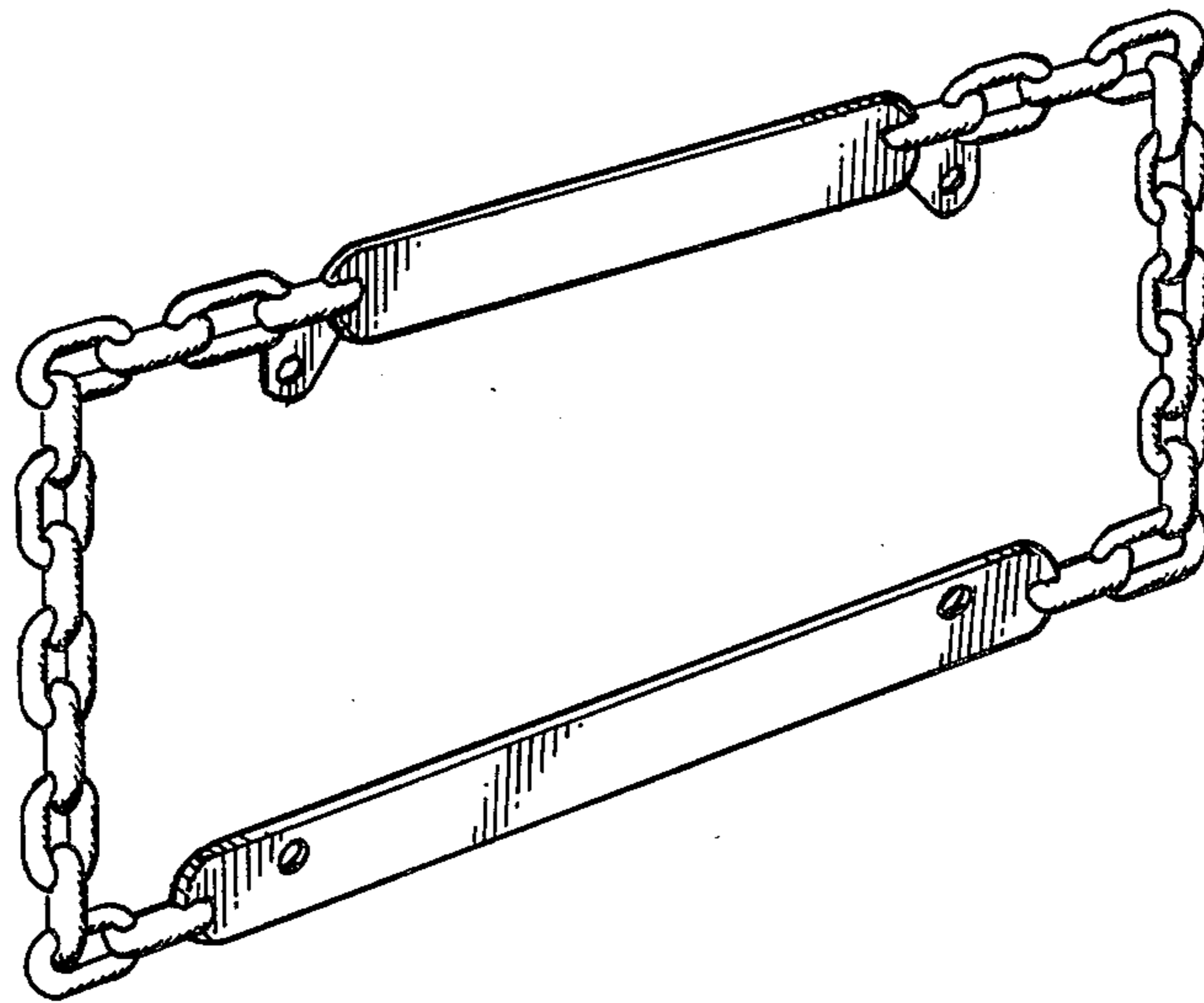
Primary Examiner—James M. Gandy
Attorney, Agent, or Firm—Charles H. Thomas

[57] CLAIM

The ornamental design for a license plate frame, as shown.

DESCRIPTION

FIG. 1 is a perspective view of a license plate frame showing my new design;
FIG. 2 is a front elevational view thereof;
FIG. 3 is a bottom plan view thereof;
FIG. 4 is a top plan view thereof;
FIG. 5 is a rear elevational view thereof;
FIG. 6 is a right side elevational view thereof; and
FIG. 7 is a left side elevational view thereof.



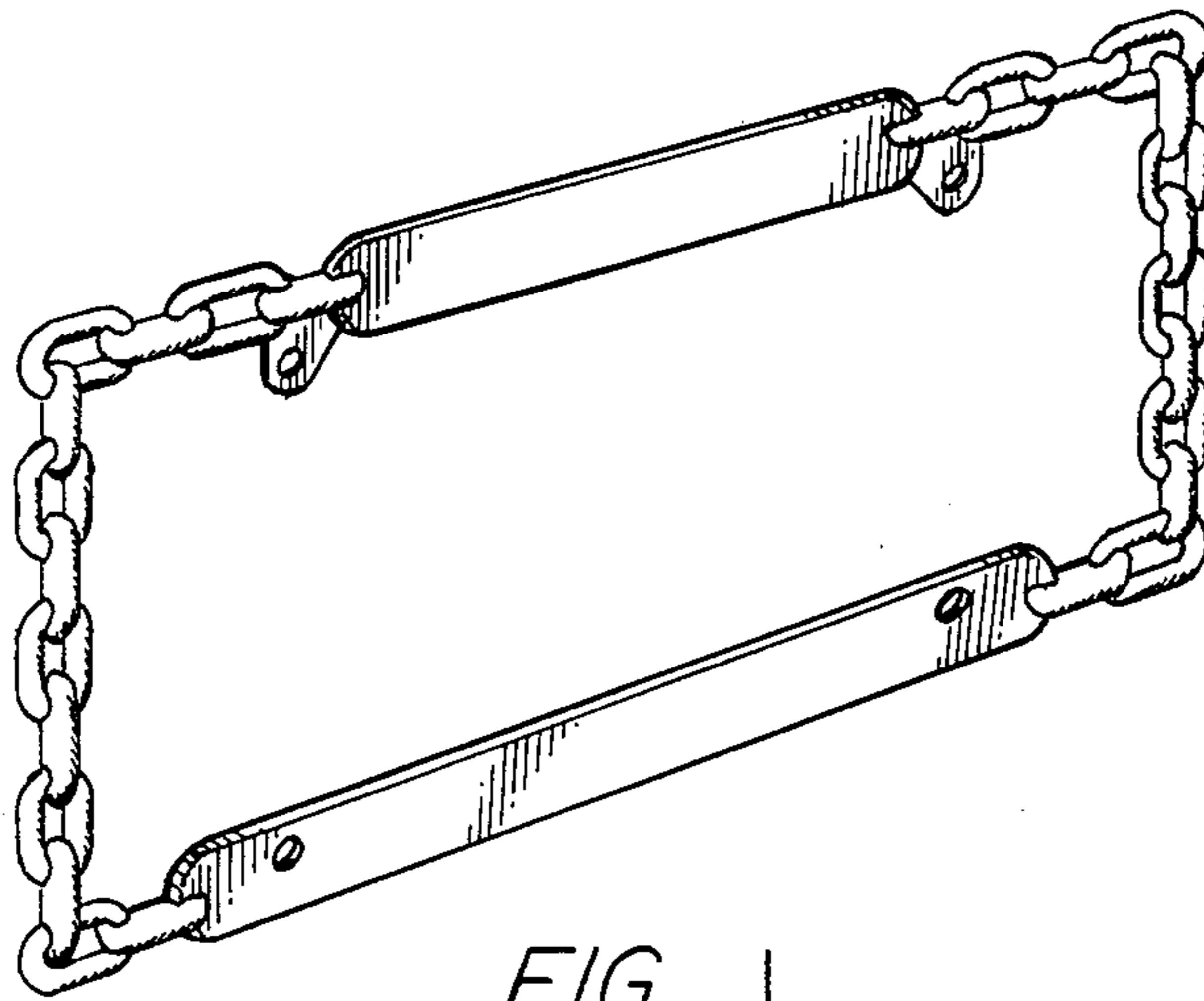


FIG. 1

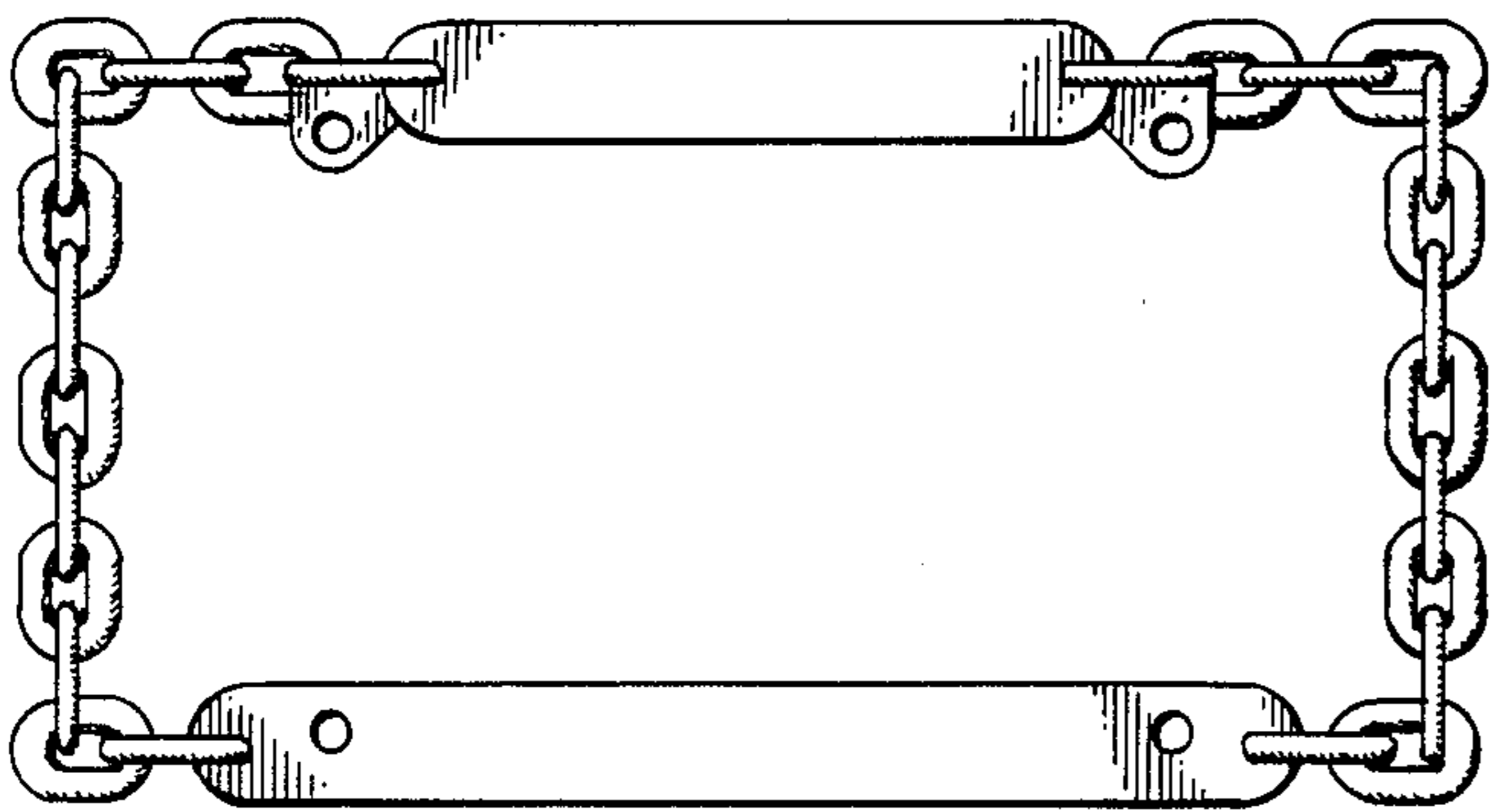


FIG. 2

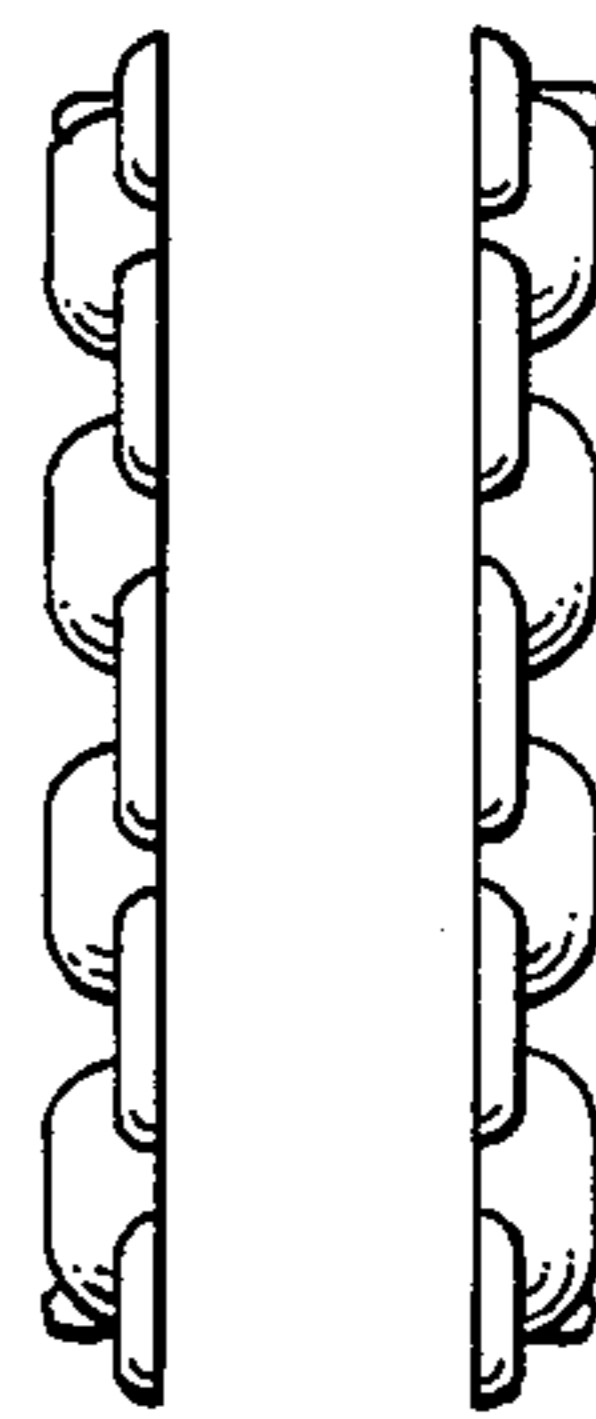


FIG. 6 FIG. 7



FIG. 3

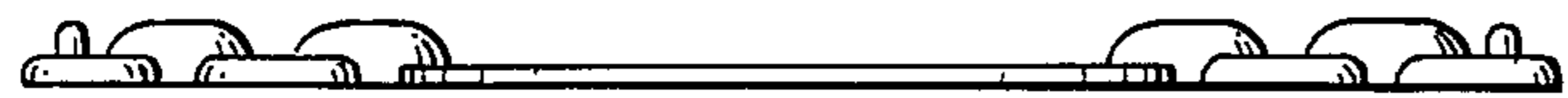


FIG. 4

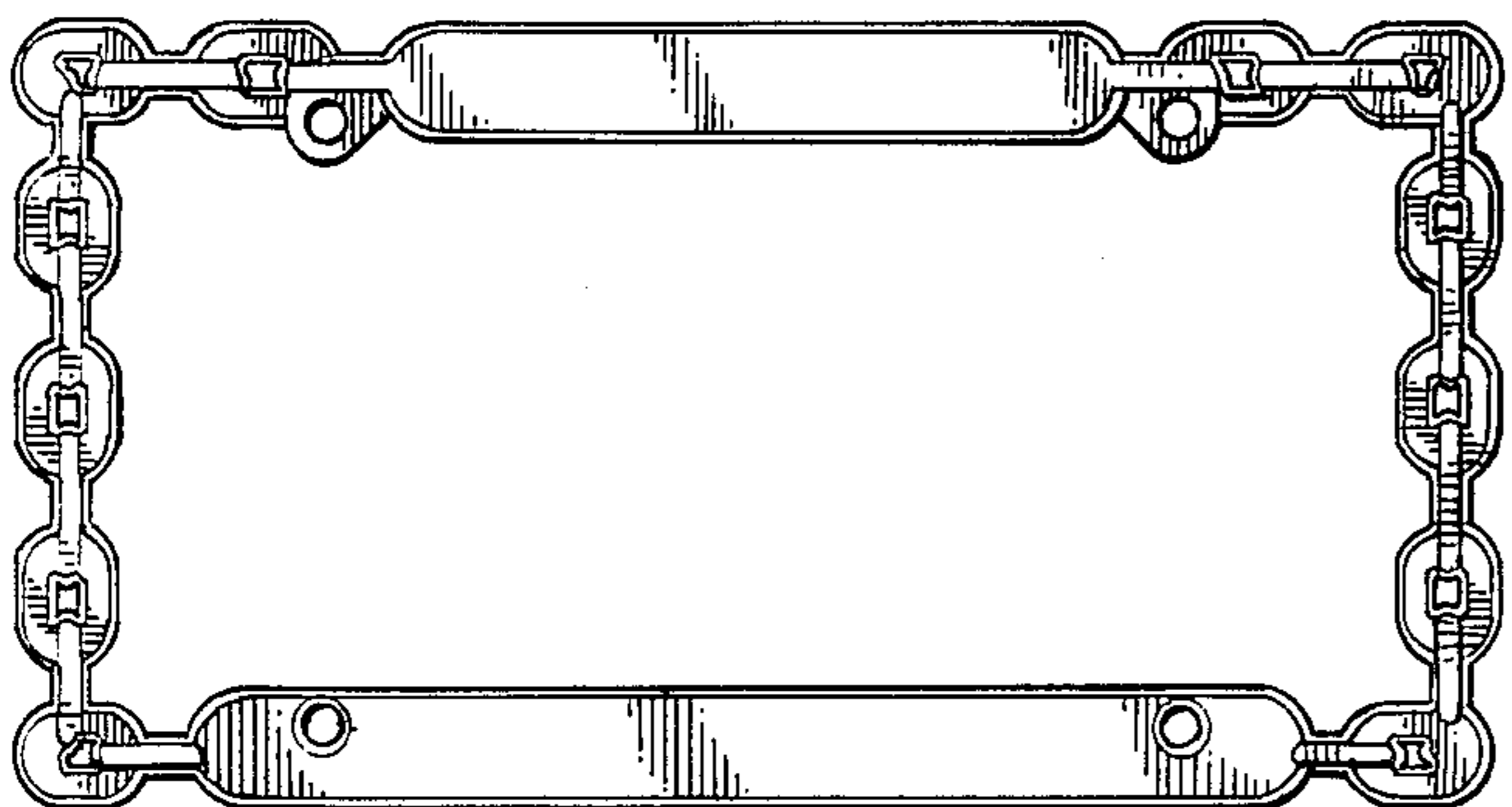


FIG. 5