

[54] **CRAWLER-TRACK ATTACHMENT FOR AN ALL-TERRAIN VEHICLE**

[75] **Inventor:** Richard D. Cartwright, Washington County, Oreg.

[73] **Assignee:** Tracker Industries, Inc., Beaverton, Oreg.

[**] **Term:** 14 Years

[21] **Appl. No.:** 734,956

[22] **Filed:** May 16, 1985

[52] **U.S. Cl.** D12/3; D15/28; D12/1

[58] **Field of Search** D12/1, 3, 154; D15/28, D15/24; 305/39, 54; 180/9.1; 280/28.5

[56] **References Cited**

U.S. PATENT DOCUMENTS

D. 186,214	9/1959	Francis	D15/28
D. 236,703	9/1975	Baker	D12/1
2,859,068	11/1958	Larsson	D12/3
3,450,445	6/1969	Jehn	305/39
4,618,015	10/1986	Yochum	180/9.21
4,635,740	1/1987	Krueger et al.	180/9.21

OTHER PUBLICATIONS

Construction Methods & Equipment, Jun. 1958, p. 79, "TC-12".

Thiokol Chemical Corp., brochure, Model 1201, Snow Spryte.

Thiokol Chemical Corp., brochure, "Juggernaut".

Primary Examiner—Wallace R. Burke

Assistant Examiner—Kay H. Chin

Attorney, Agent, or Firm—Jack E. Day

[57] **CLAIM**

The ornamental design for a crawler-track attachment for an all-terrain vehicle, as shown and described.

DESCRIPTION

FIG. 1 is a rear, top perspective view of a crawler-track attachment for an all-terrain vehicle, showing my new design;

FIG. 2 is a right side elevational view thereof;

FIG. 3 is a left side elevational view thereof;

FIG. 4 is a rear elevational view thereof;

FIG. 5 is a top plan view thereof;

FIG. 6 is a front elevational view thereof; and

FIG. 7 is a bottom plan view thereof.

The broken lines shown in FIGS. 1, 2, 3, 5, and 7 of the drawing are for illustrative purposes only and form no part of the claimed design.

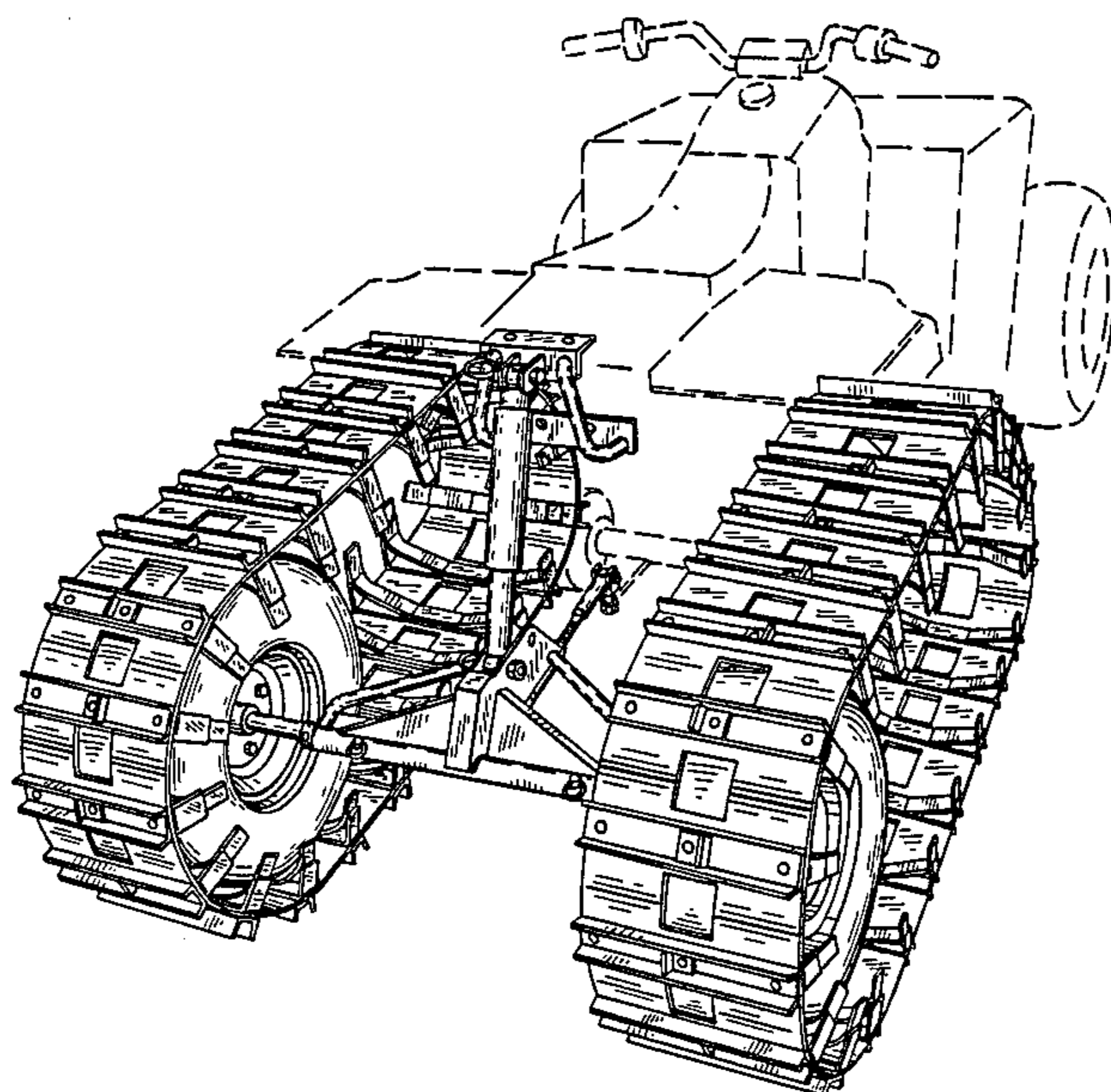


FIG. 1

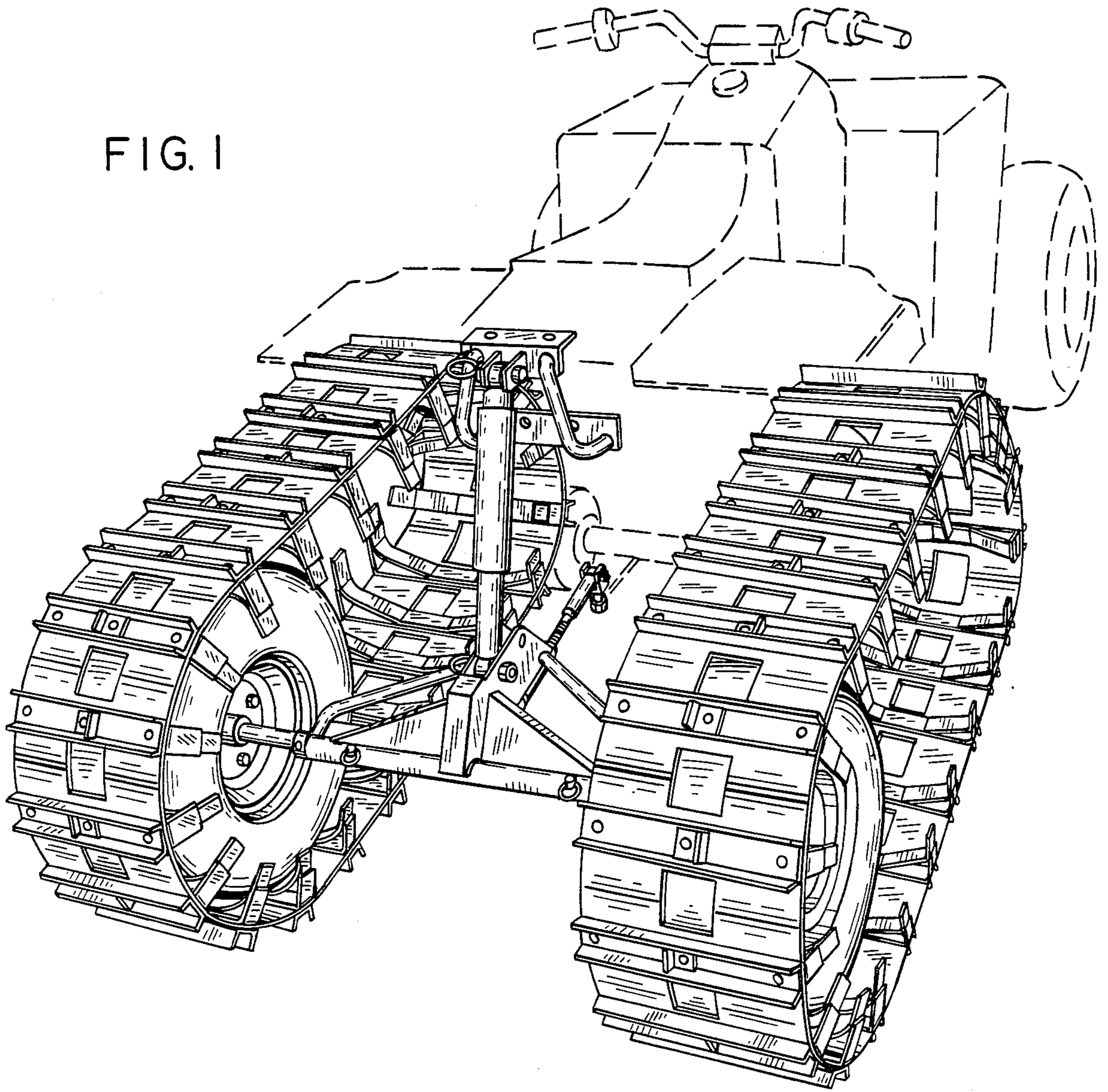


FIG. 2

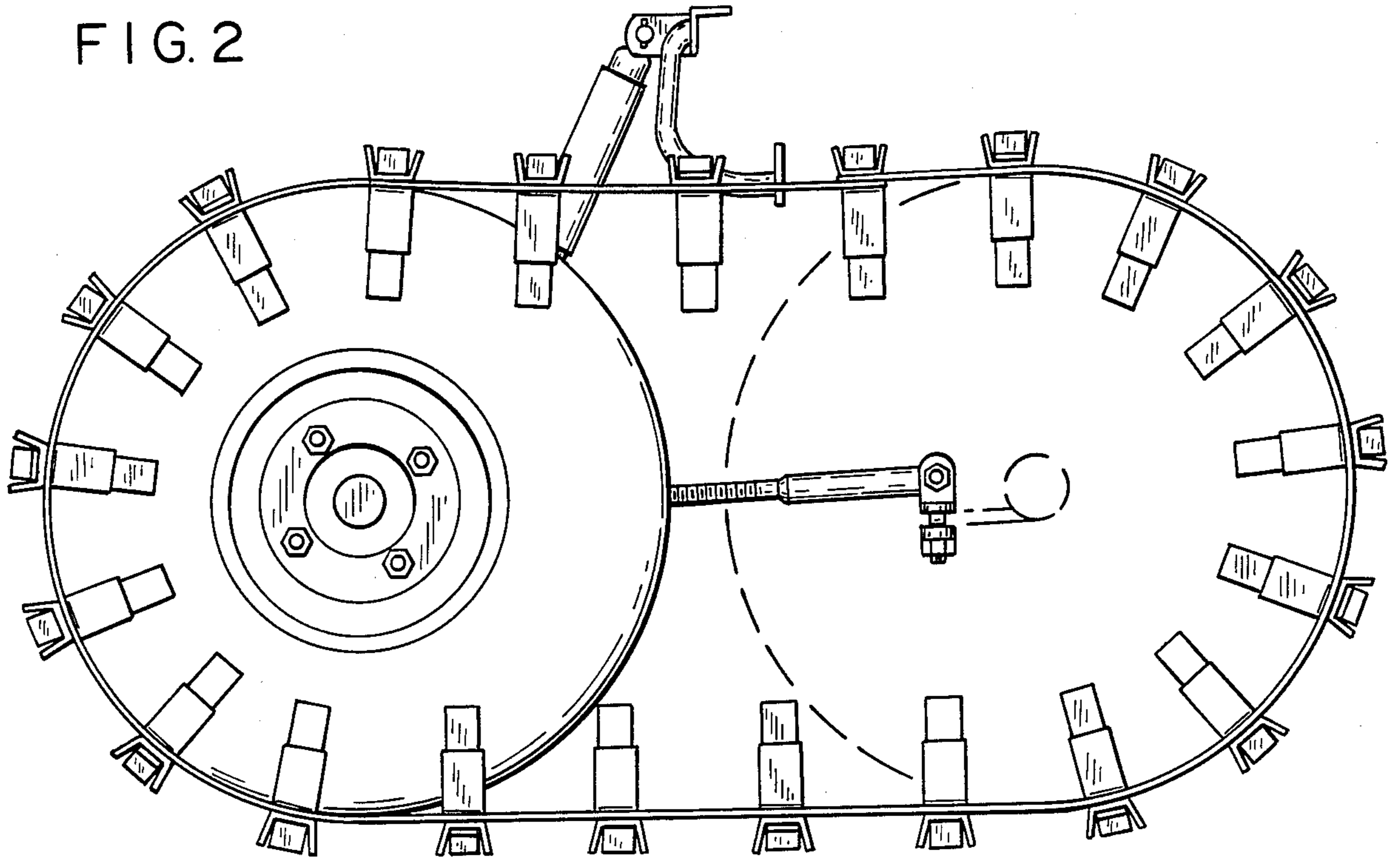


FIG. 3

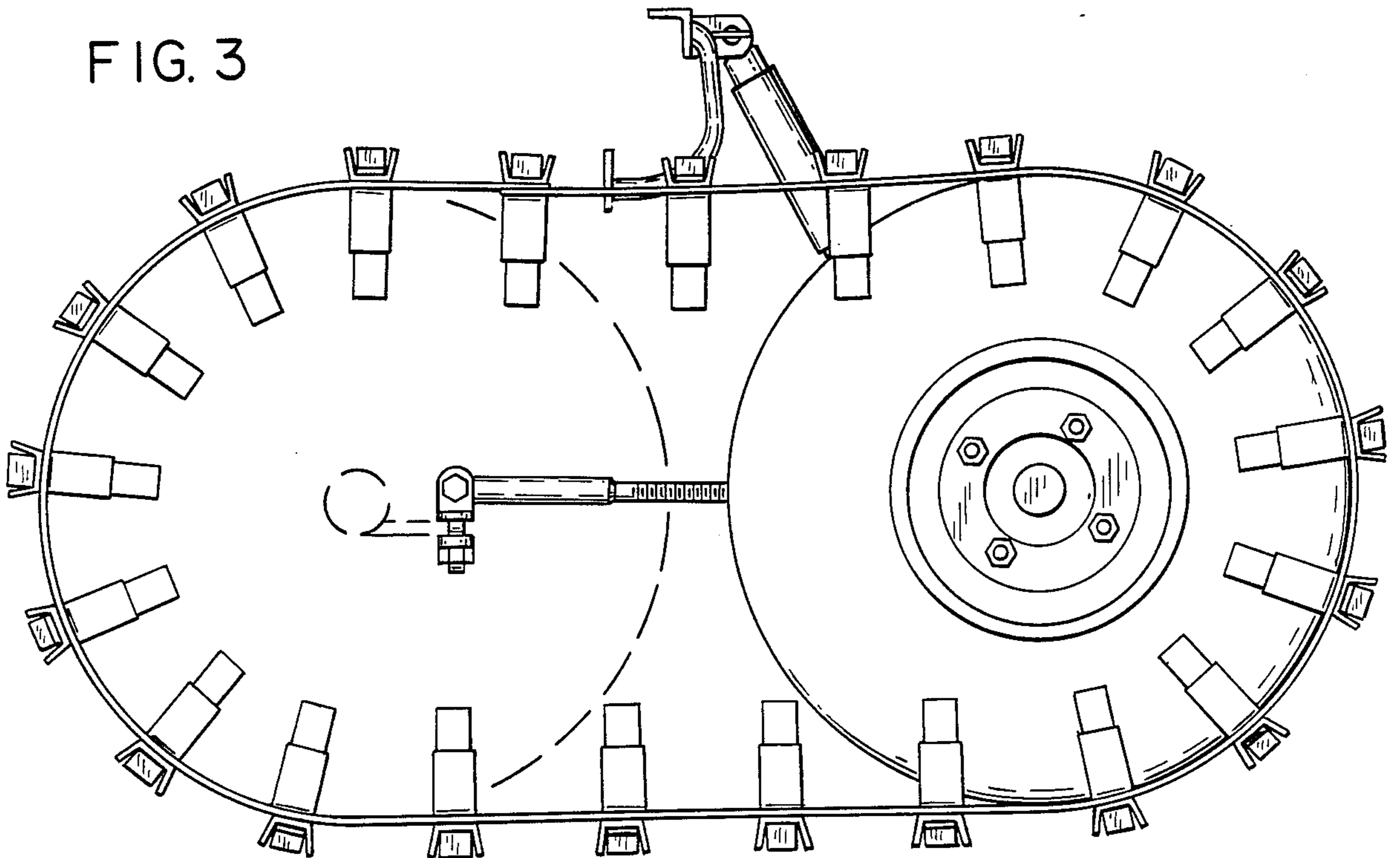


FIG. 4

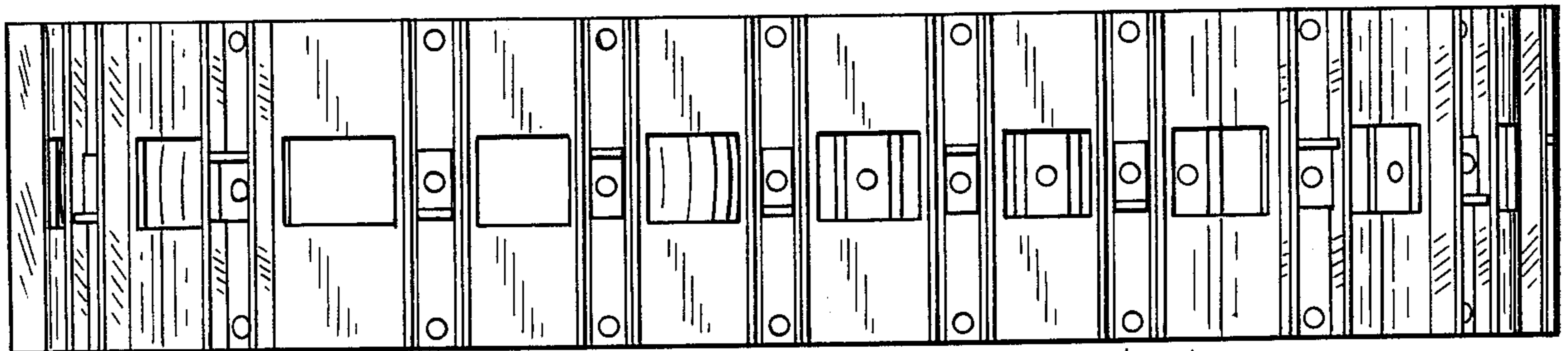
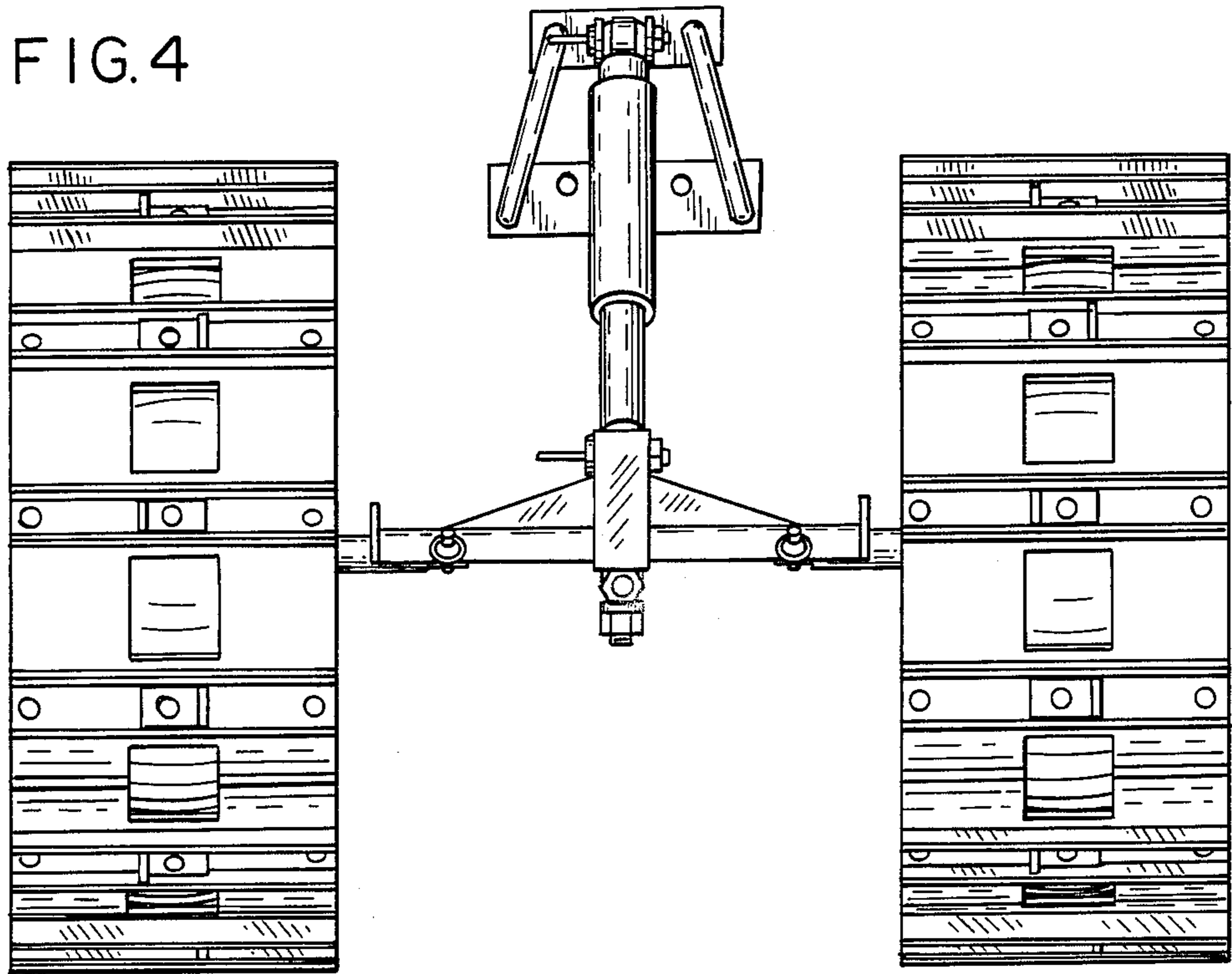


FIG. 5

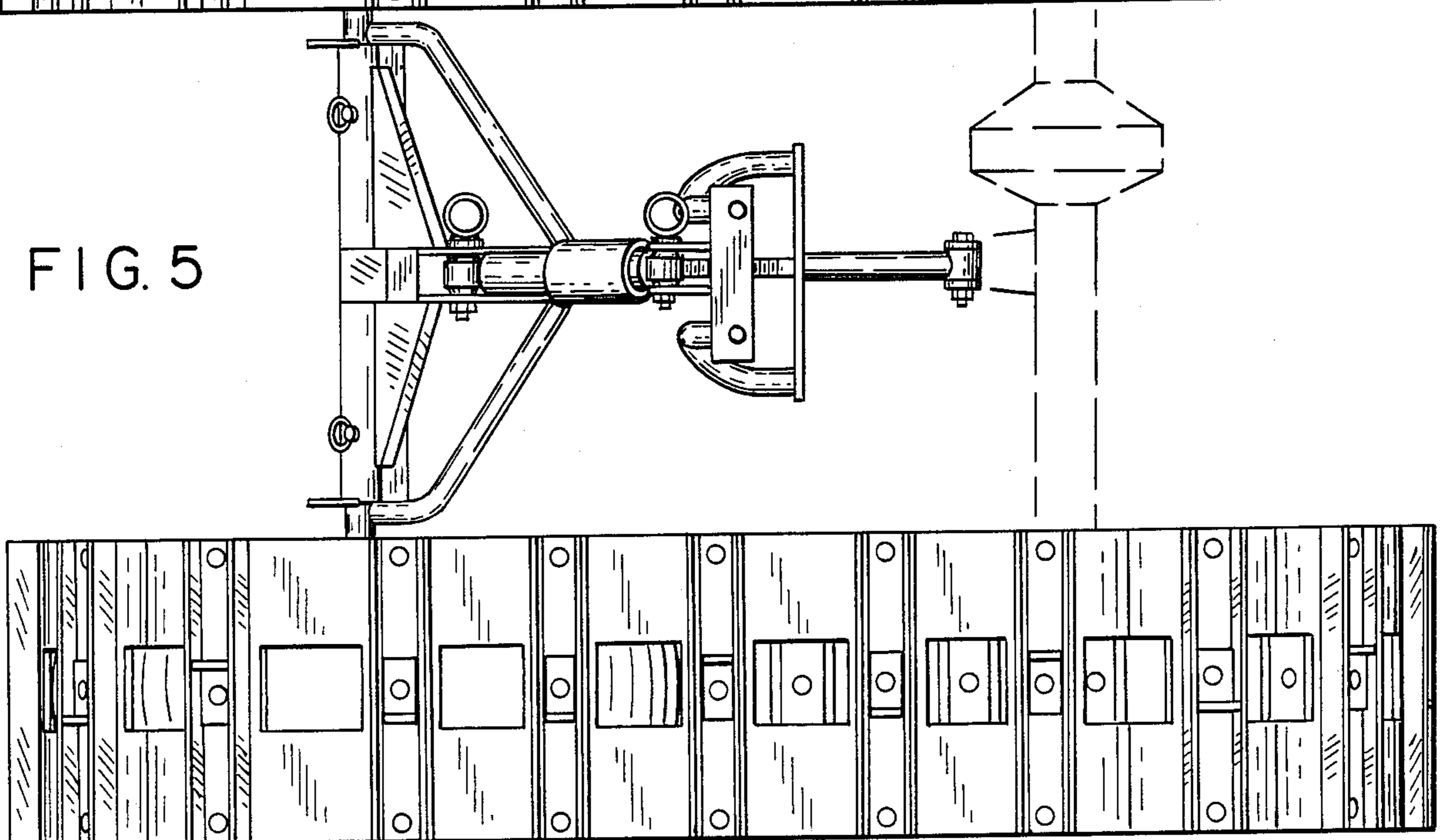


FIG. 6

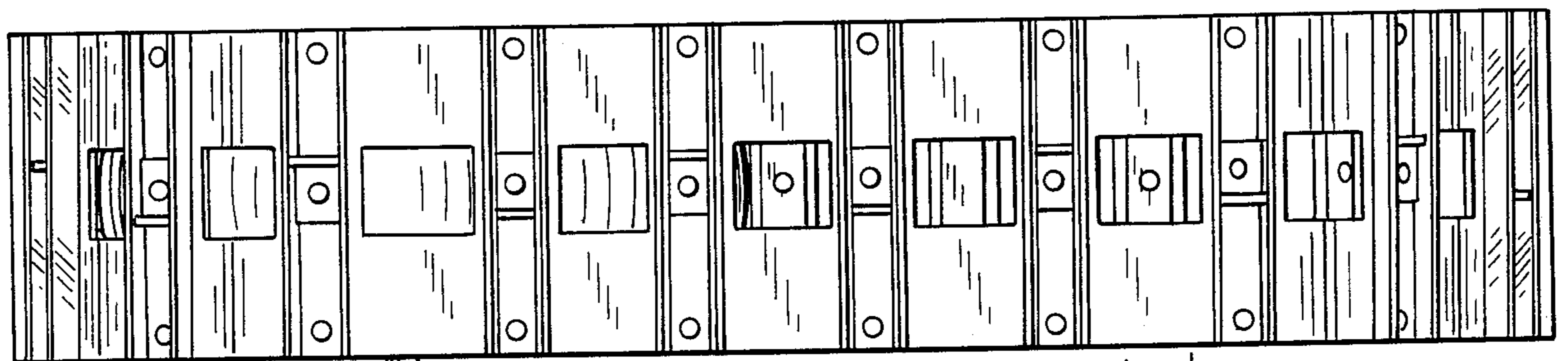
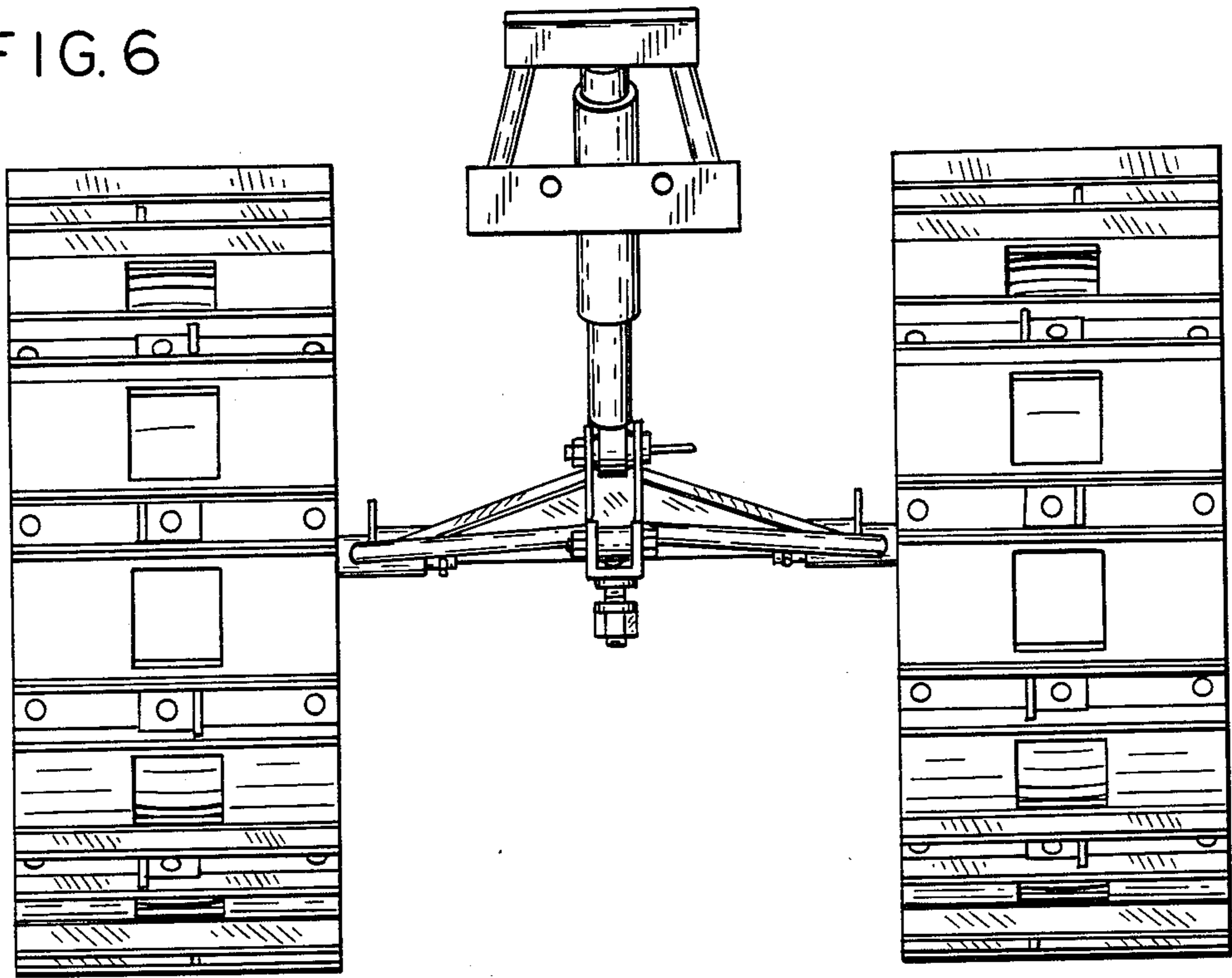


FIG. 7

