

[54] RECLOSEABLE FLEXIBLE POURING SPOUT FOR A CONTAINER

[75] Inventors: Gary E. Gendron, Boiceville; Frederick J. Pritchitt, Saugerties, both of N.Y.

[73] Assignee: Marpac Industries, Inc., Waldwick, N.J.

[\*\*] Term: 14 Years

[21] Appl. No.: 782,287

[22] Filed: Sep. 30, 1985

[52] U.S. Cl. .... D9/447

[58] Field of Search ..... D9/373, 434, 435, 447, D9/449, 374; 215/228; 222/527, 528, 529, 531, 533, 566, 567, 568, 570, 569

[56] References Cited

U.S. PATENT DOCUMENTS

|            |         |                   |           |
|------------|---------|-------------------|-----------|
| D. 209,871 | 1/1968  | Grebow .....      | D9/447    |
| D. 278,981 | 5/1985  | Biermann .....    | D9/447    |
| D. 286,380 | 10/1986 | Karman .....      | D9/447    |
| D. 289,976 | 5/1987  | Humpries .....    | D9/374    |
| 4,066,191  | 1/1978  | Coleman .....     | 222/569   |
| 4,351,454  | 9/1982  | Maynard, Jr. .... | 222/529 X |
| 4,426,027  | 1/1984  | Maynard, Jr. .... | 222/529   |
| 4,428,498  | 1/1984  | Obey .....        | 222/527 X |
| 4,492,324  | 1/1985  | Weber .....       | 222/529   |

4,572,386 2/1986 Marcus ..... 215/228

Primary Examiner—Robert C. Spangler  
Attorney, Agent, or Firm—W. Patrick Quast

[57] CLAIM

The ornamental design for a recloseable flexible pouring spout for a container, as shown and described.

DESCRIPTION

FIG. 1 is an exploded perspective view of a recloseable flexible pouring spout for a container showing our new design;

FIG. 2 is an exploded perspective view from the cap end;

FIG. 3 is an elevational view with the cap in place;

FIG. 4 is a view looking from the left of FIG. 3;

FIG. 5 is a view looking from the right of FIG. 3;

FIG. 6 is an elevational view in an alternate position;

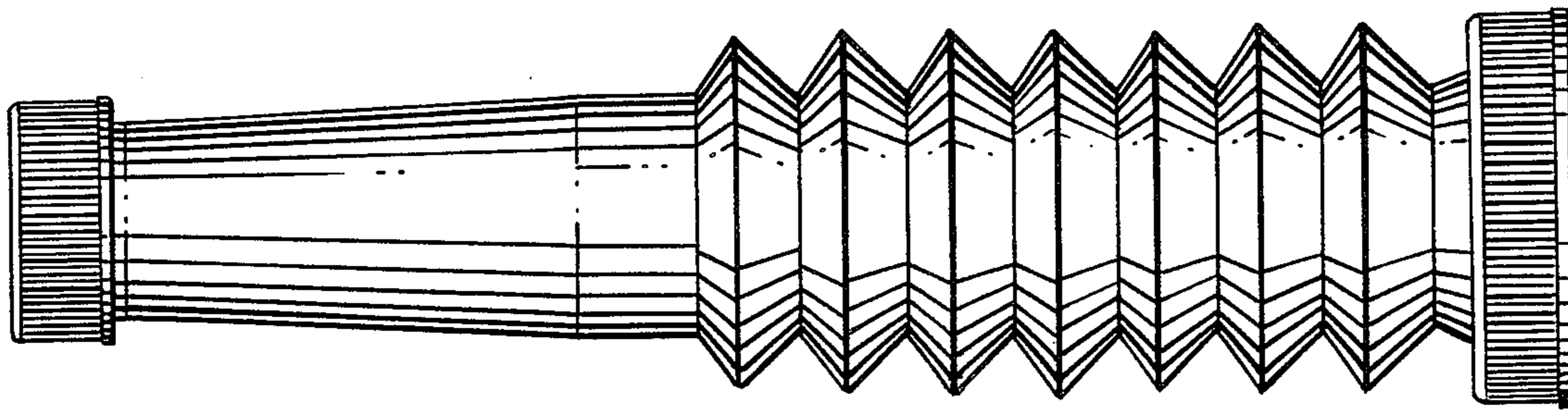
FIG. 7 is a fragmentary sectional view of the right end of FIG. 3;

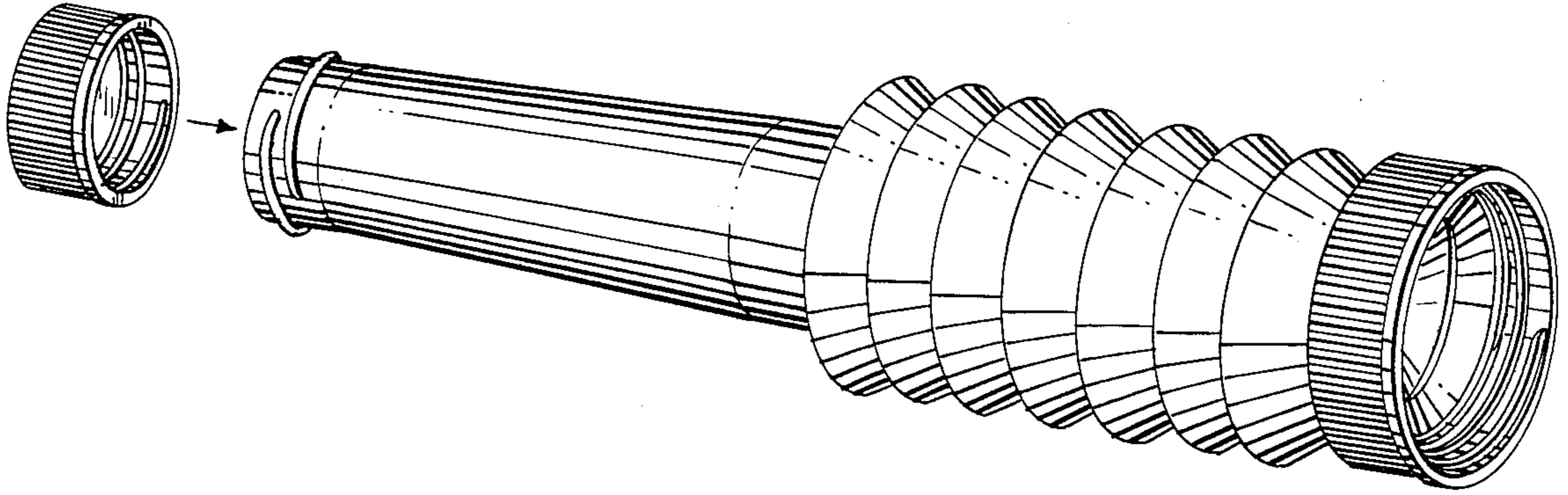
FIG. 8 is a fragmentary exploded view of our new design the remaining portions of the pouring spout being the same in appearance as the first embodiment;

FIG. 9 is a fragmentary exploded view taken from the side opposite that seen in FIG. 8;

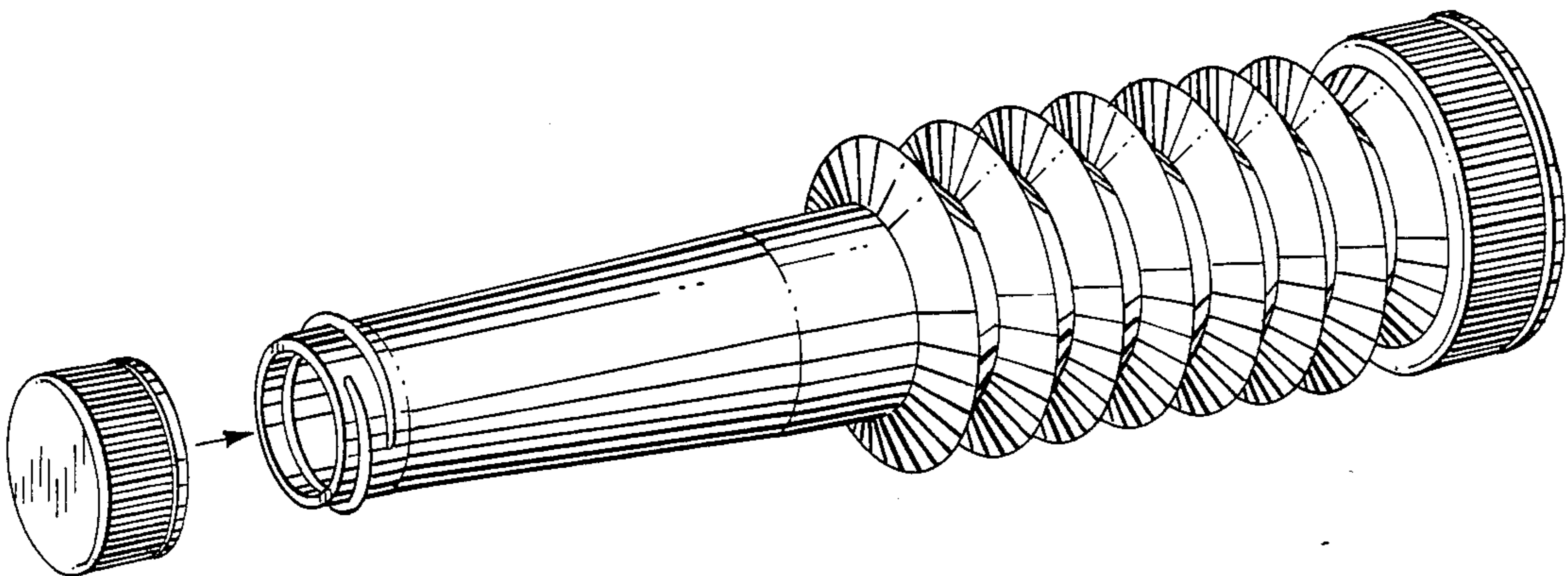
FIG. 10 is a view similar to FIG. 8 but showing another modified form of our new design; and

FIG. 11 is a view showing the side opposite that seen in FIG. 10.

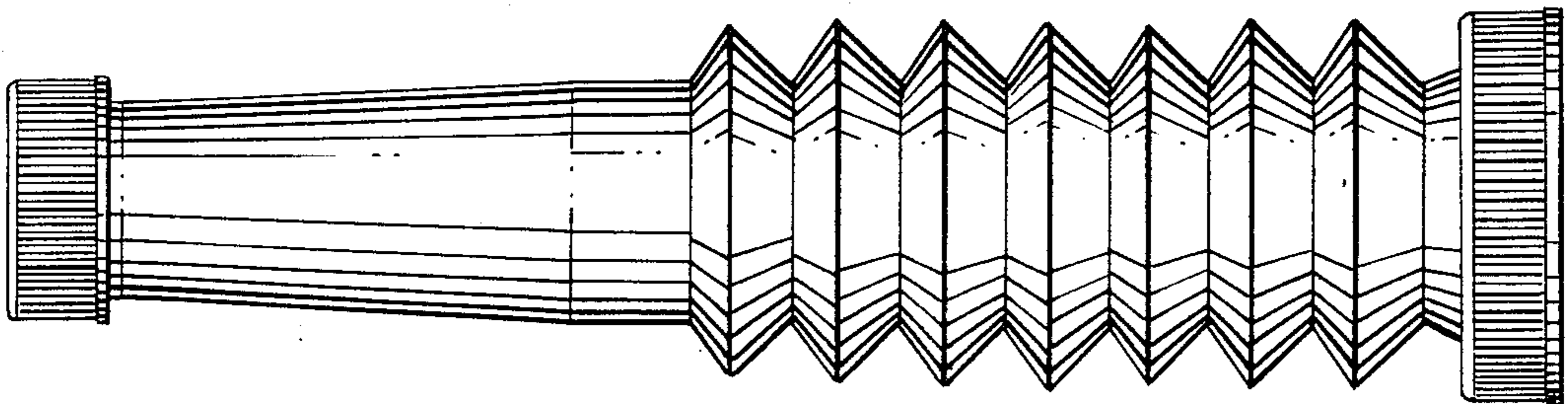




*FIG. 1*



*FIG. 2*



*FIG. 3*



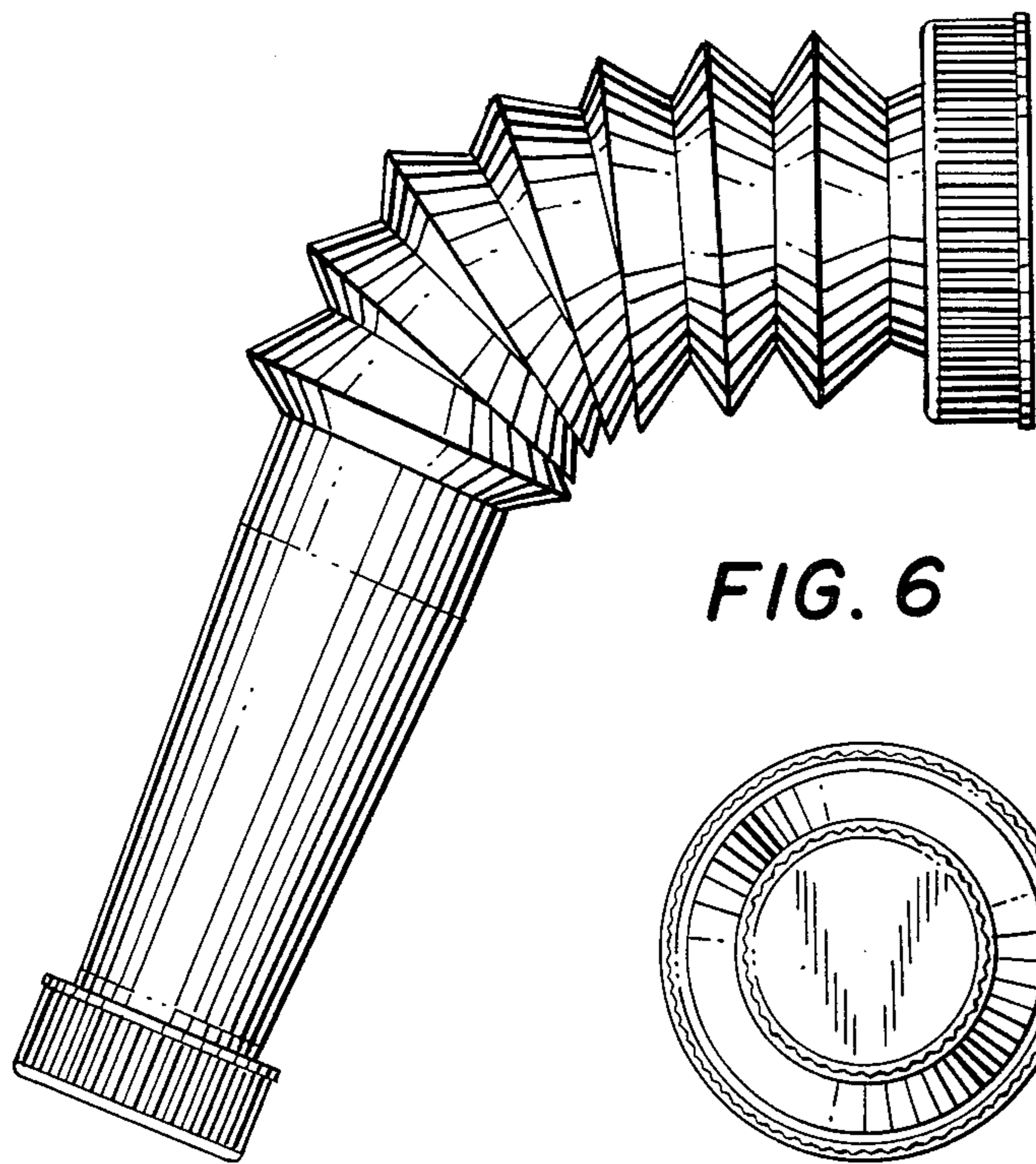


FIG. 6

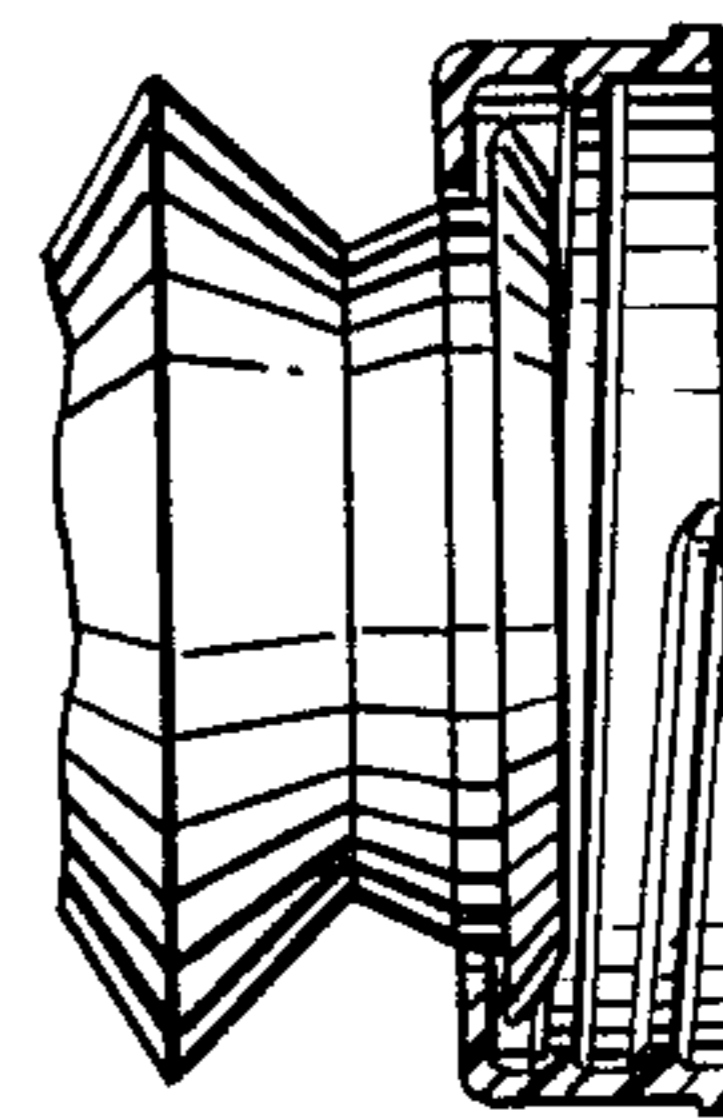


FIG. 7

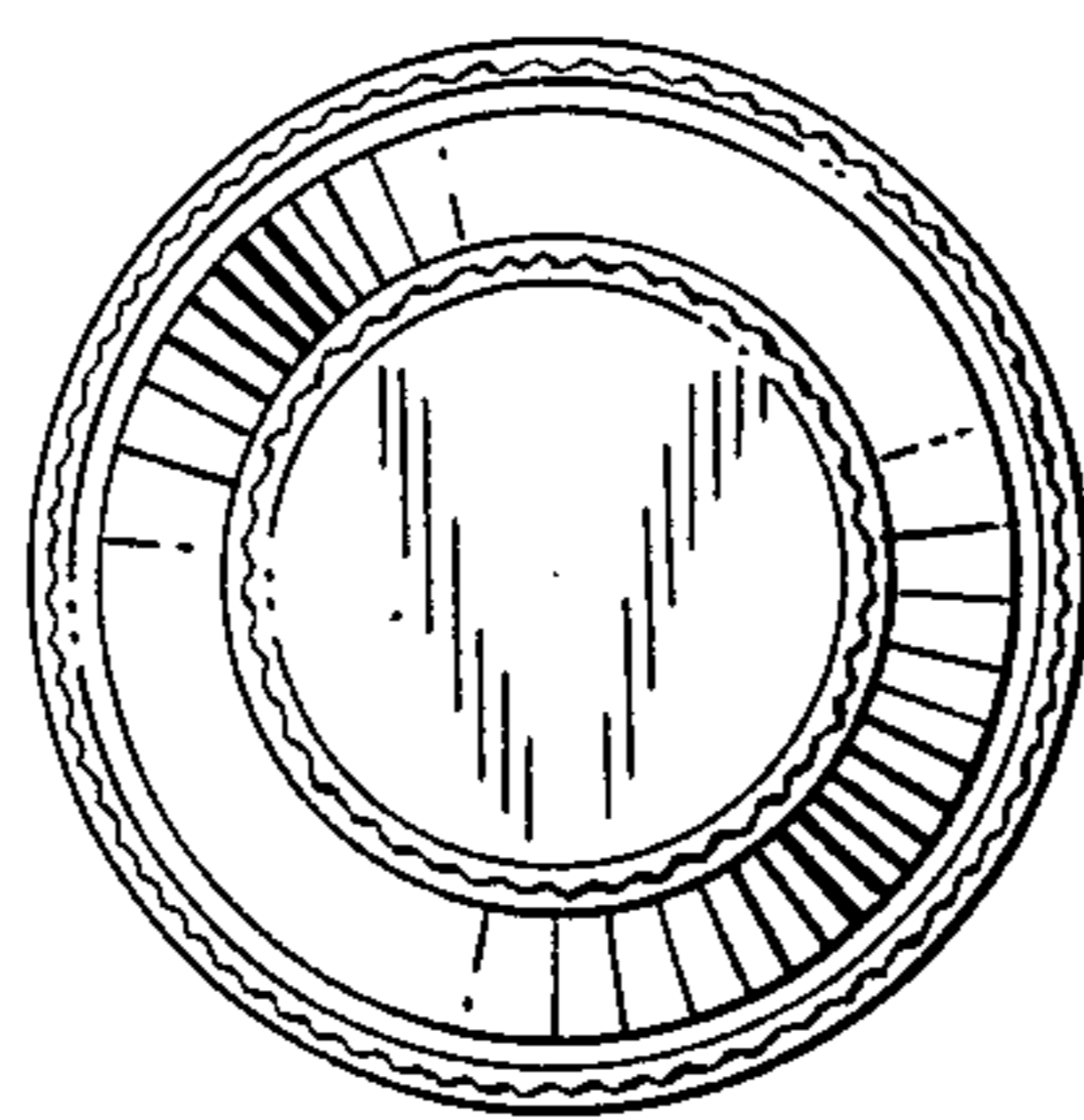


FIG. 4

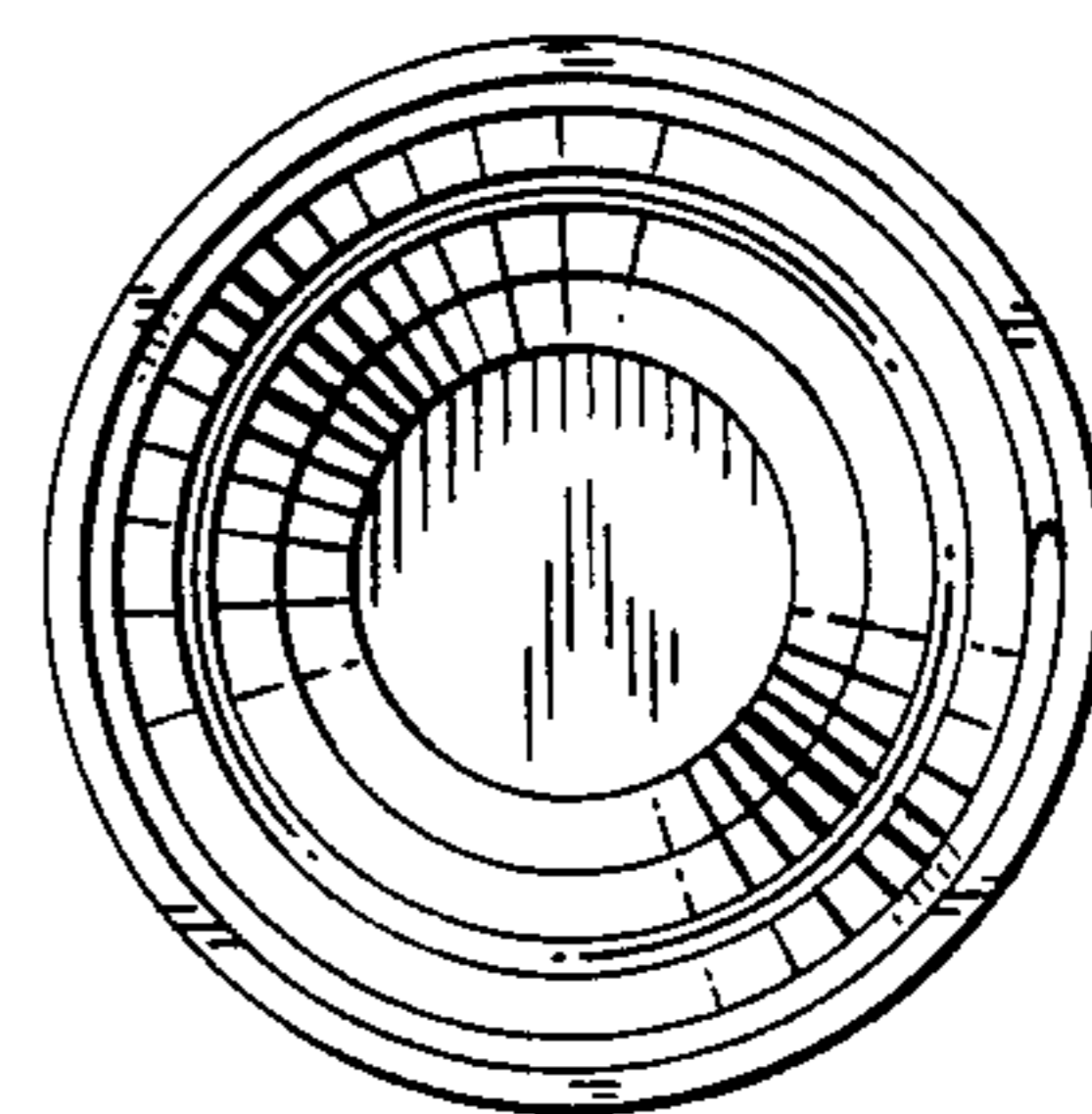


FIG. 5

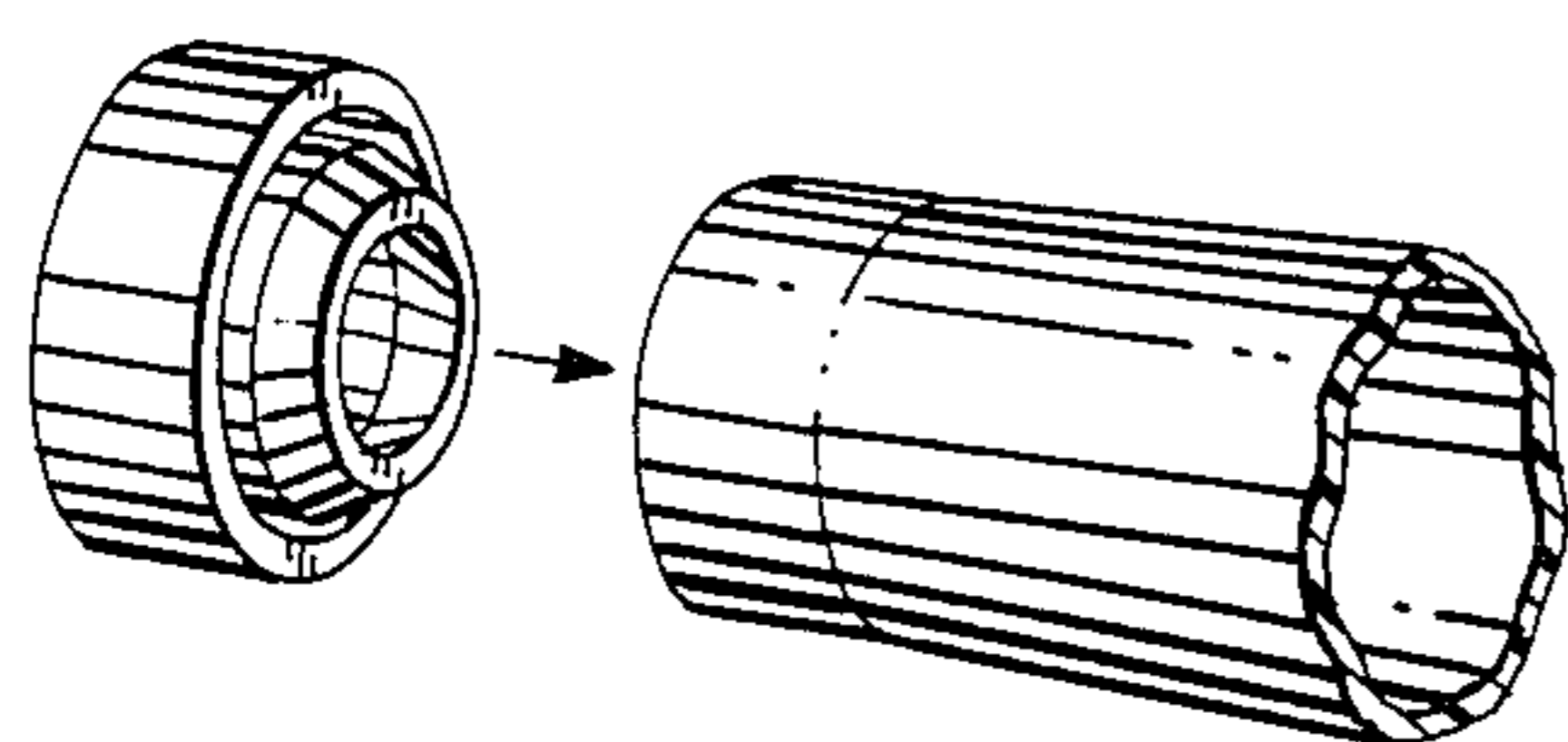


FIG. 8

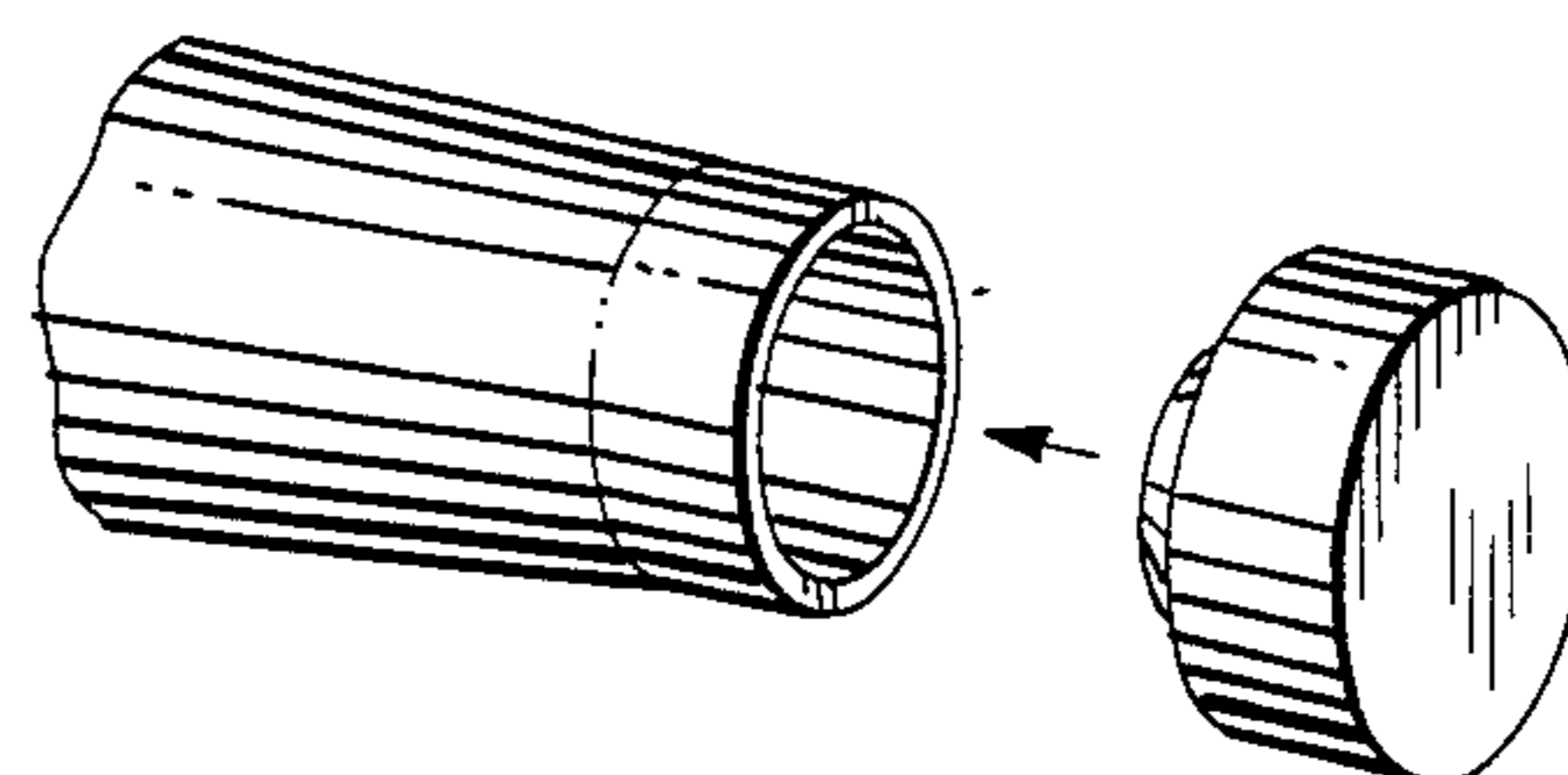


FIG. 9

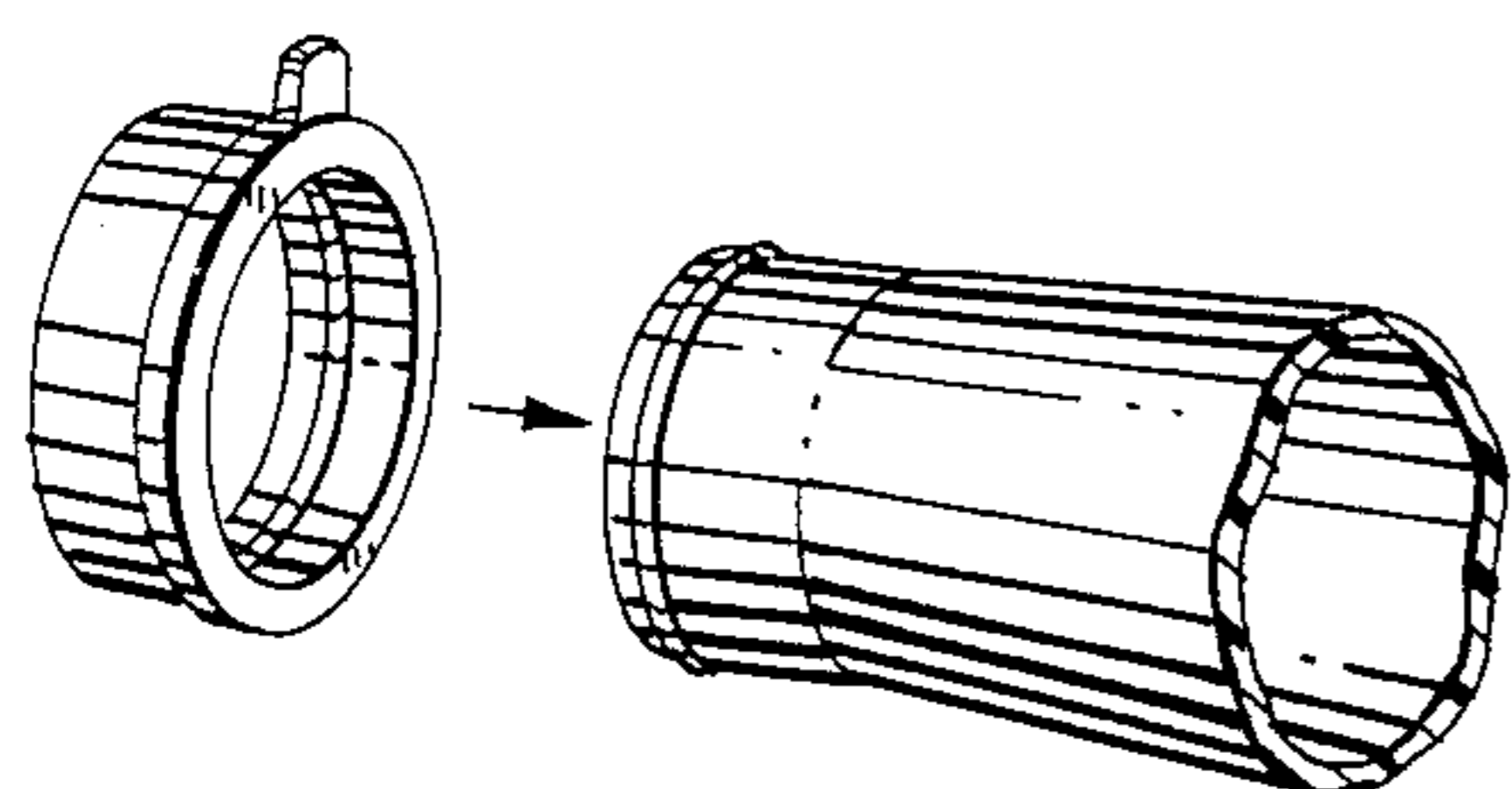


FIG. 10

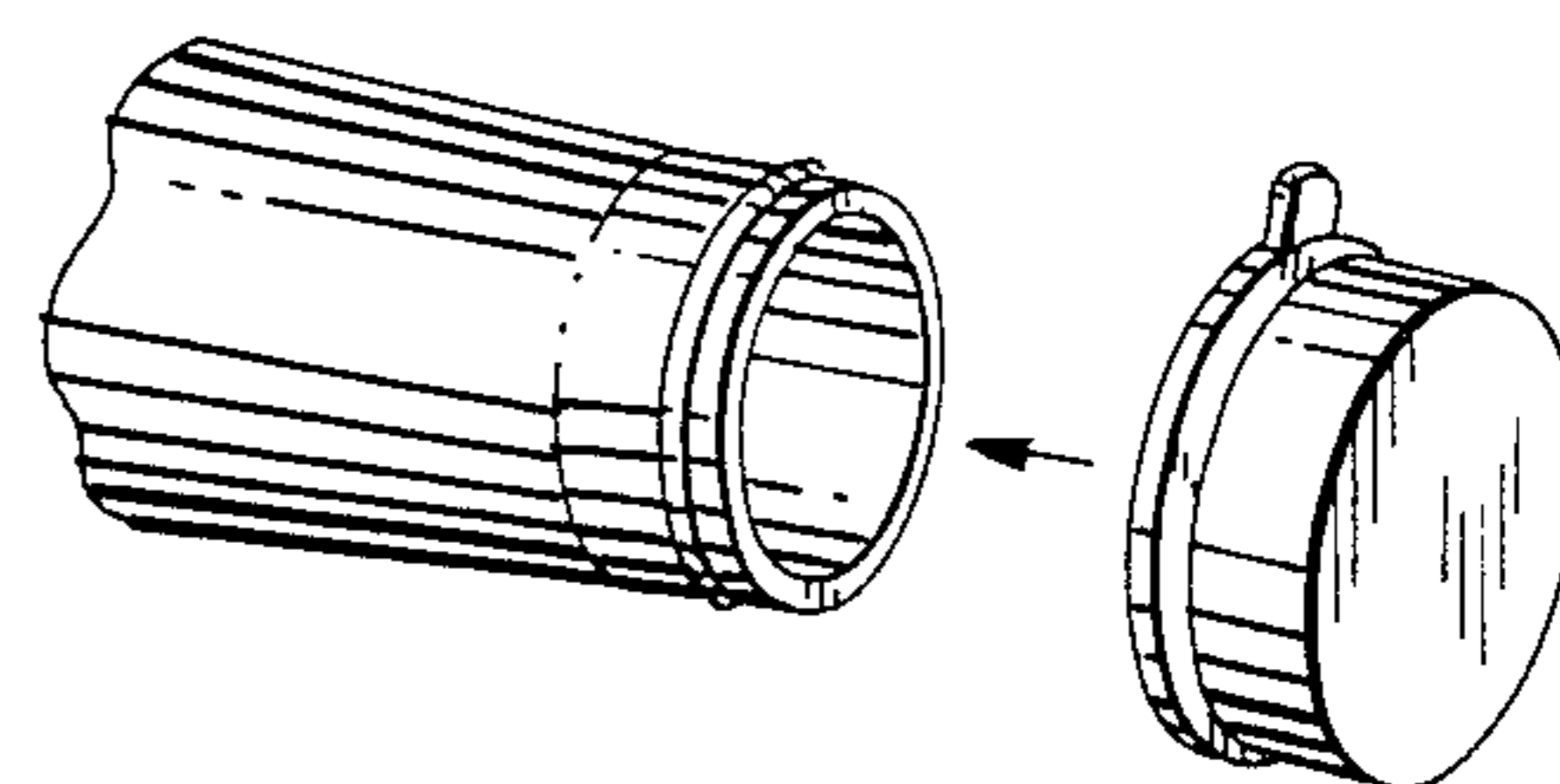


FIG. 11