

[54] **DIRECTIONAL CAP**

[75] **Inventor: Gregory W. McGlyn, Auckland, New Zealand**

[73] **Assignee: R & C Products Pty. Limited, New South Wales, Australia**

[\*\*] **Term: 14 Years**

[21] **Appl. No.: 709,493**

[22] **Filed: Mar. 8, 1985**

[30] **Foreign Application Priority Data**

Sep. 12, 1984 [AU] Australia ..... 8873/84

[52] **U.S. Cl. .... D9/446; D9/447**

[58] **Field of Search .... D9/434, 455, 446, 447, D9/449, 450, 438, 439, 440; 222/568, 480, 565**

[56] **References Cited**

**U.S. PATENT DOCUMENTS**

D. 227,085 6/1973 Nigro ..... D9/448  
D. 271,284 11/1983 Bainton ..... D9/438

D. 278,517 4/1985 Milin ..... D9/437  
1,374,932 4/1921 Lindsay ..... 222/568 X  
2,826,343 3/1958 Albani ..... 222/480  
3,323,695 6/1967 Monahon ..... D9/448 X  
3,476,297 11/1969 Swett et al. .... 222/480  
4,106,672 8/1978 Tecco et al. .... 222/565 X

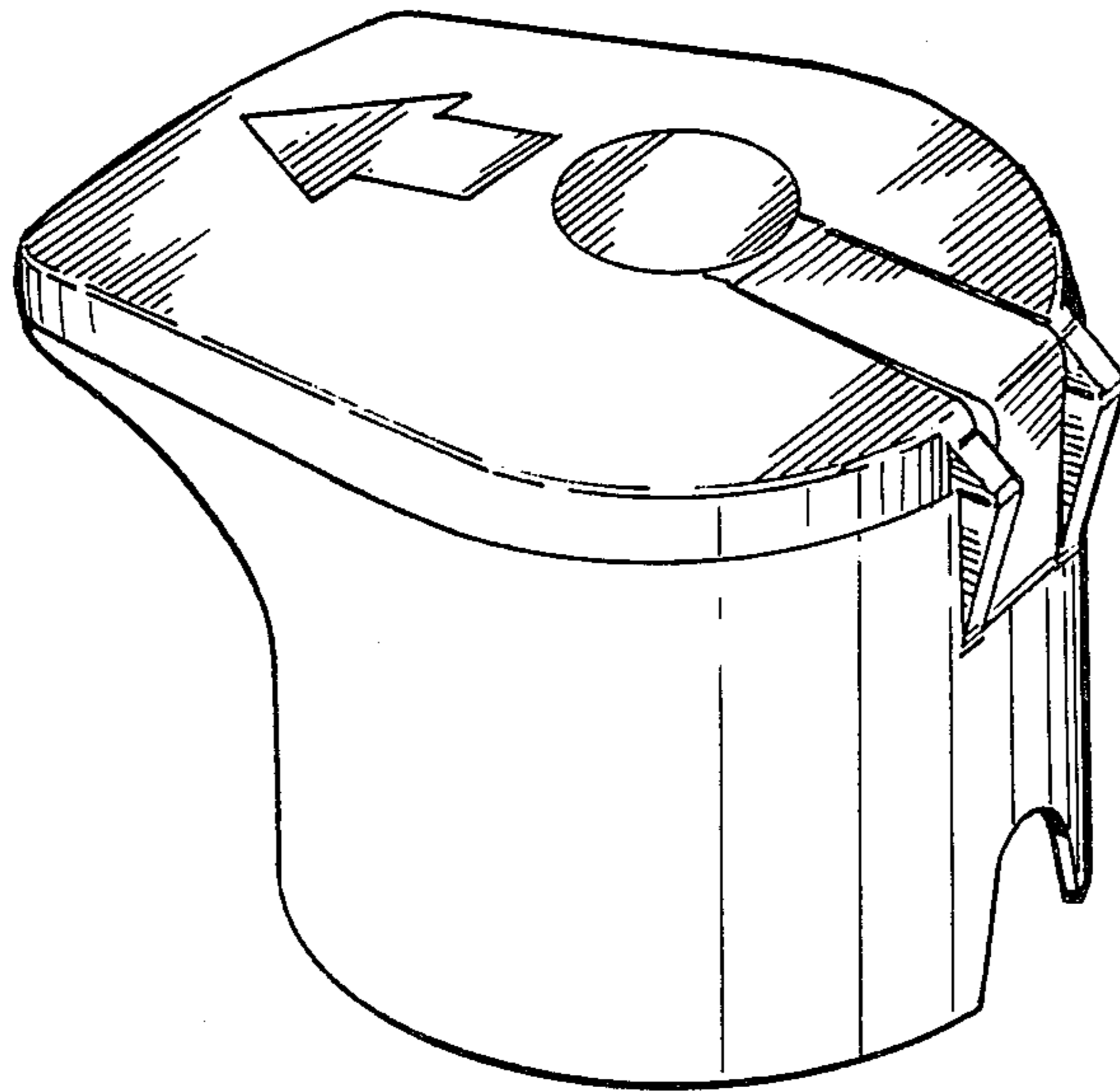
*Primary Examiner*—Robert C. Spangler  
*Attorney, Agent, or Firm*—Christie, Parker & Hale

[57] **CLAIM**

The ornamental design for: a directional cap, substantially as shown and described.

**DESCRIPTION**

FIG. 1 is a top right side perspective view of a directional cap, showing my new design;  
FIG. 2 is a top left side perspective view thereof, in an open position;  
FIG. 3 is a top plan view thereof;  
FIG. 4 is a a right side elevational view thereof;  
FIG. 5 is a bottom plan view thereof; and  
FIG. 6 is a cross-sectional view thereof, taken on line 6—6 of FIG. 5.



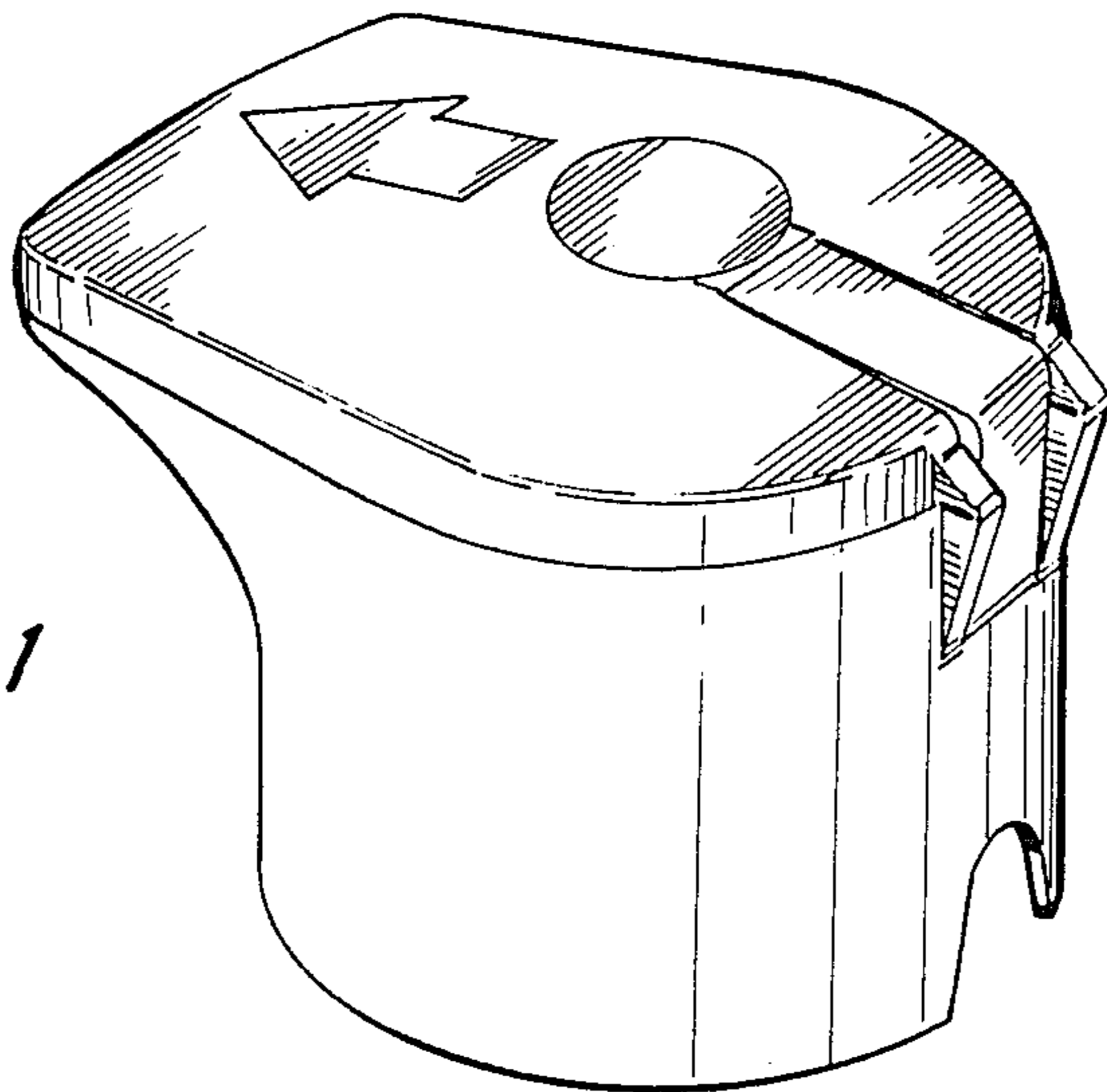


FIG. 1

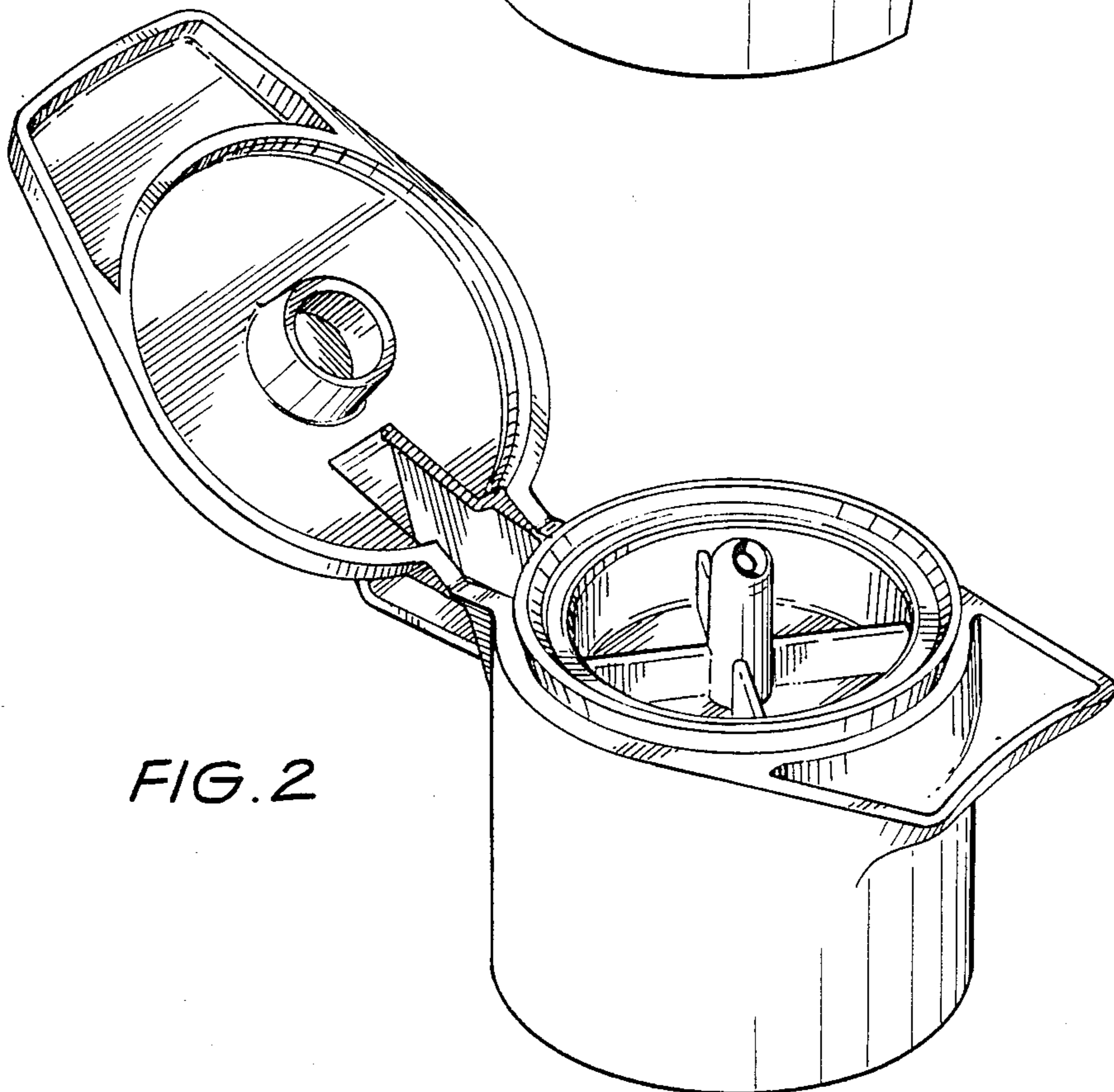


FIG. 2

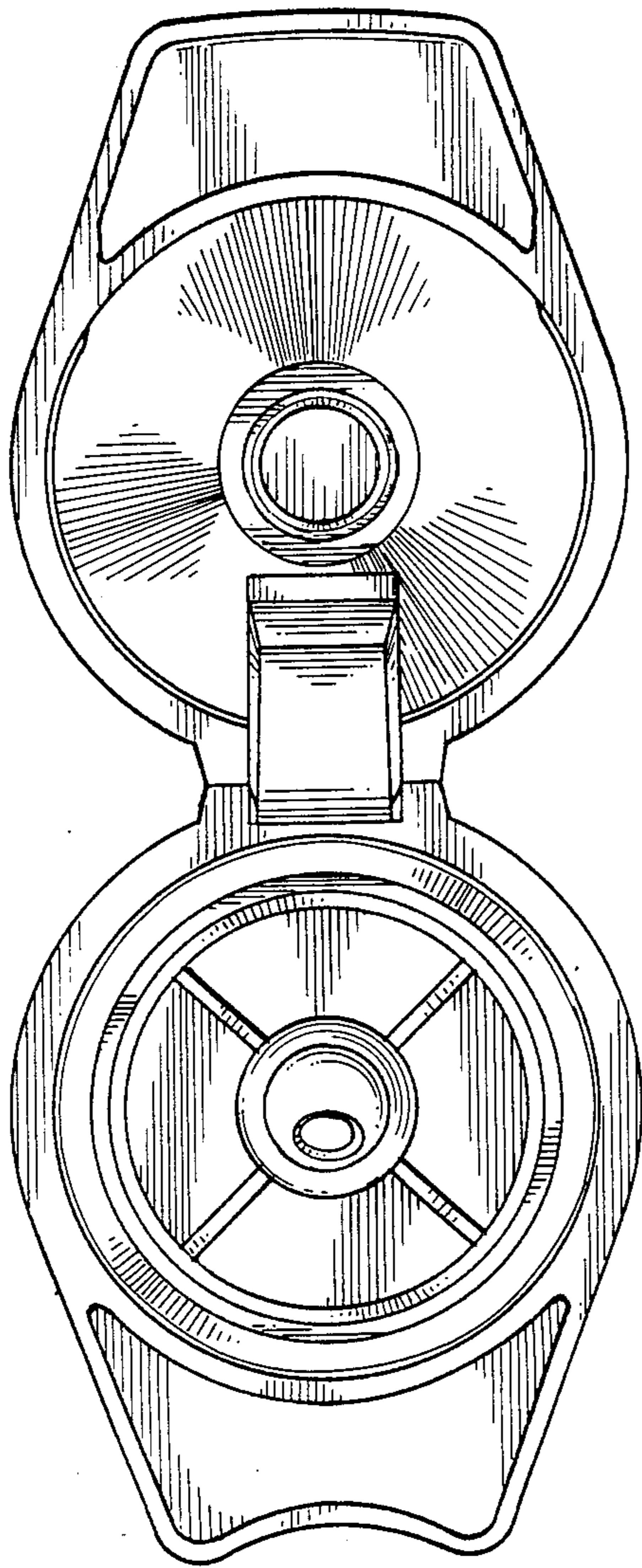


FIG. 3

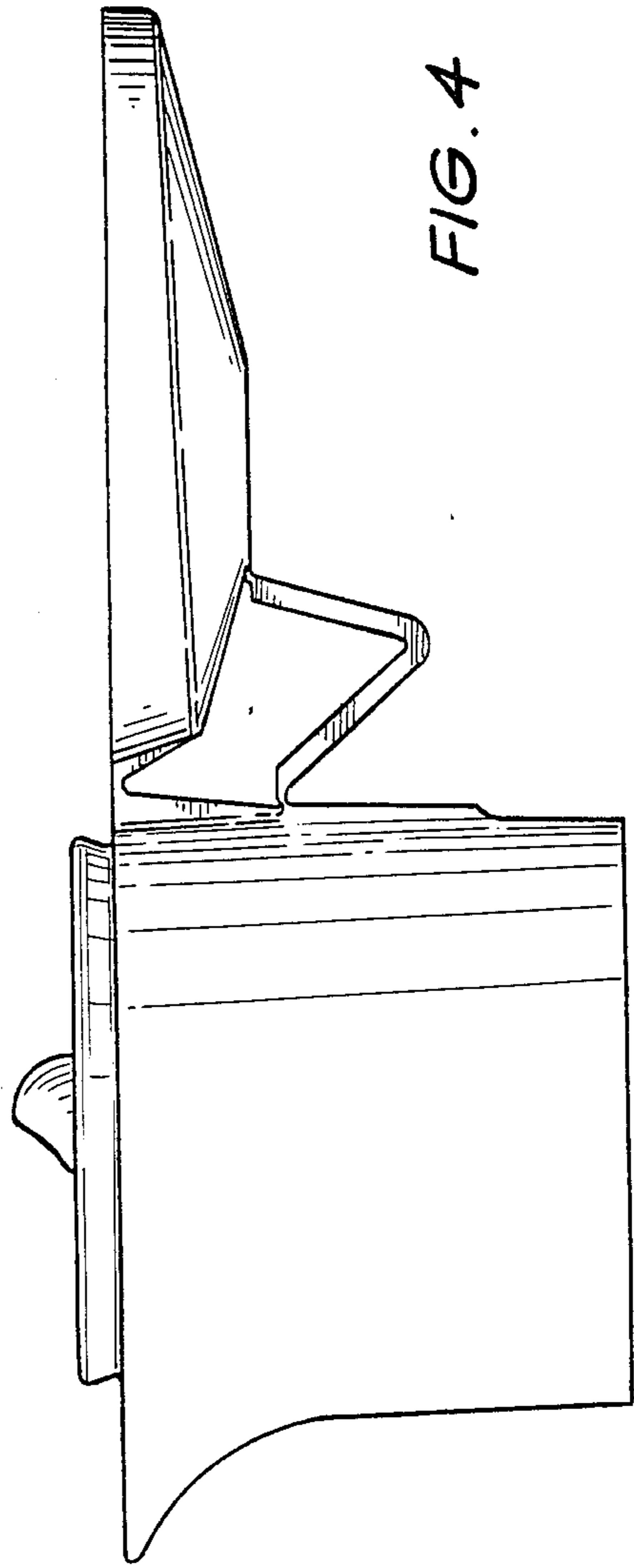


FIG. 4



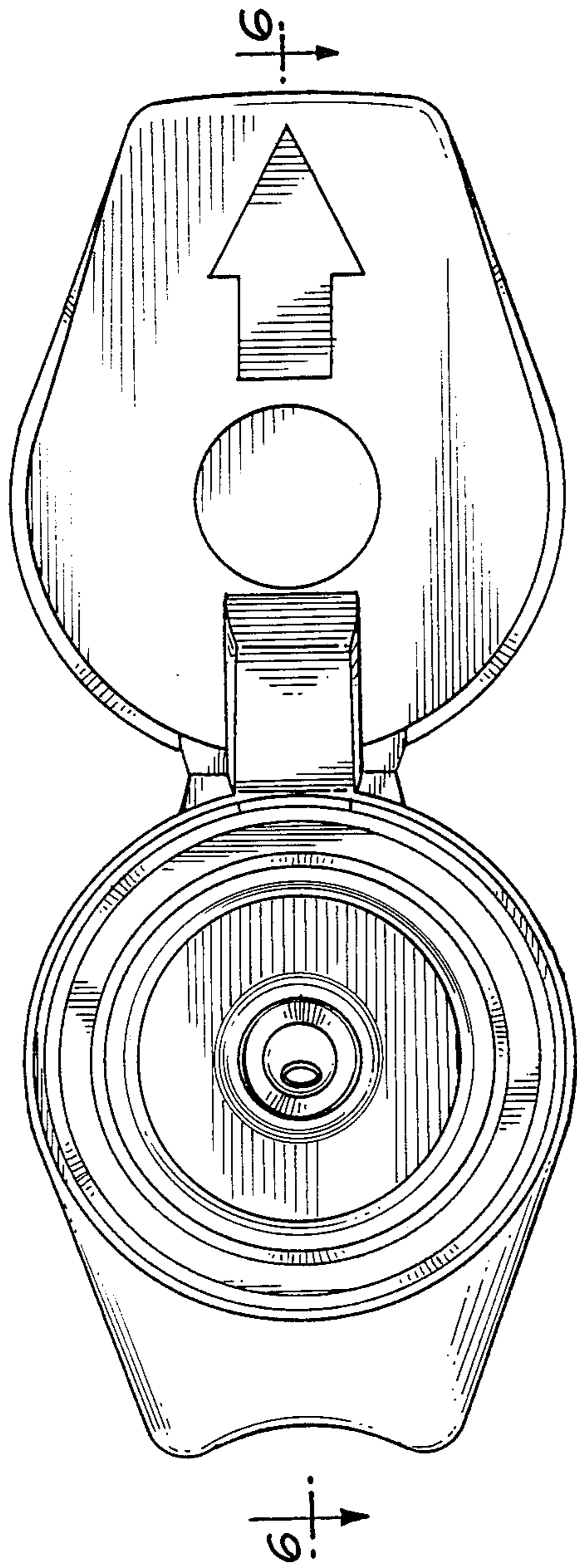


FIG. 5

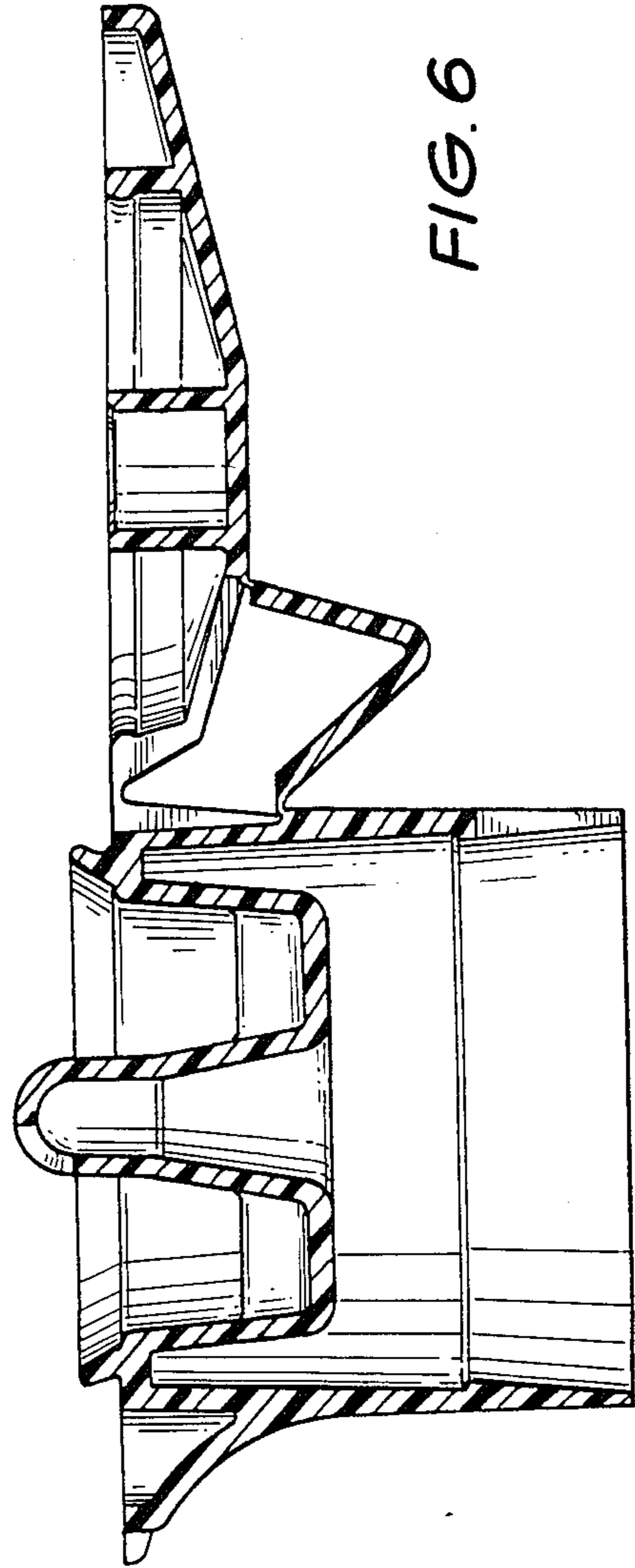


FIG. 6