

[54] **HOLDER FOR ABRASIVE CLEANER**

[76] **Inventor: Robert K. Smith, 159 Drayton Street,
Bowden, Australia, 5007**

[**] **Term: 14 Years**

[21] **Appl. No.: 762,265**

[22] **Filed: Aug. 8, 1985**

[52] **U.S. Cl. D8/90; D32/40**

[58] **Field of Search D8/90, 71; D32/40;
15/209 R, 209 B, 209 D; 51/391, 392**

[56] **References Cited**

U.S. PATENT DOCUMENTS

D. 273,758 5/1984 Ali D8/90 X
2,802,313 8/1957 Blead D8/90
3,777,444 12/1973 Dunn 15/209 B

Primary Examiner—Catherine E. Kemper
Attorney, Agent, or Firm—Oldham & Oldham Co

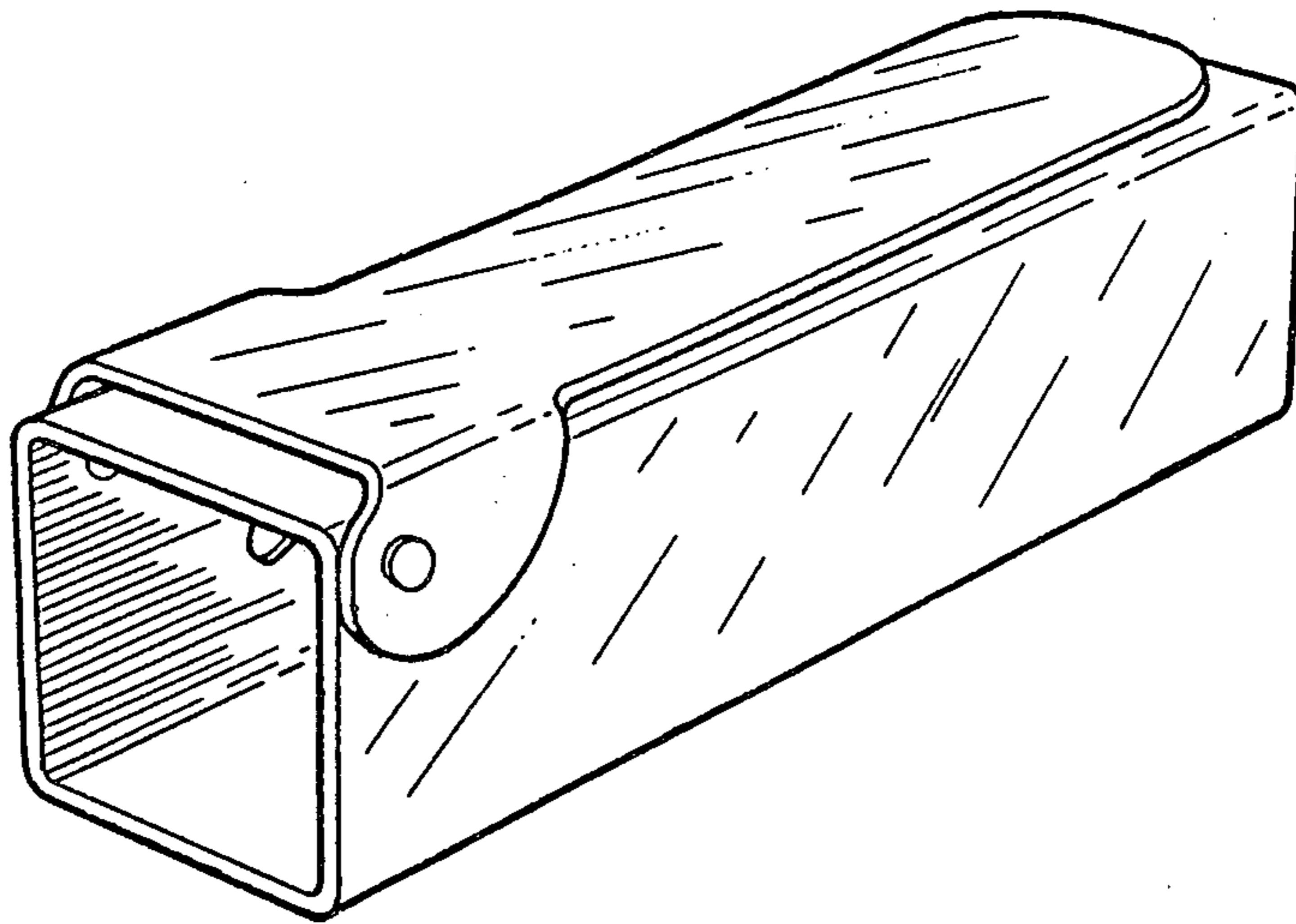
[57] **CLAIM**

The ornamental design for a holder for abrasive cleaner,
as shown and described.

DESCRIPTION

FIG. 1 is a perspective view of a holder for abrasive
cleaner, showing my new design;

FIG. 2 is a perspective view taken from the opposite
end and showing the holder opened.



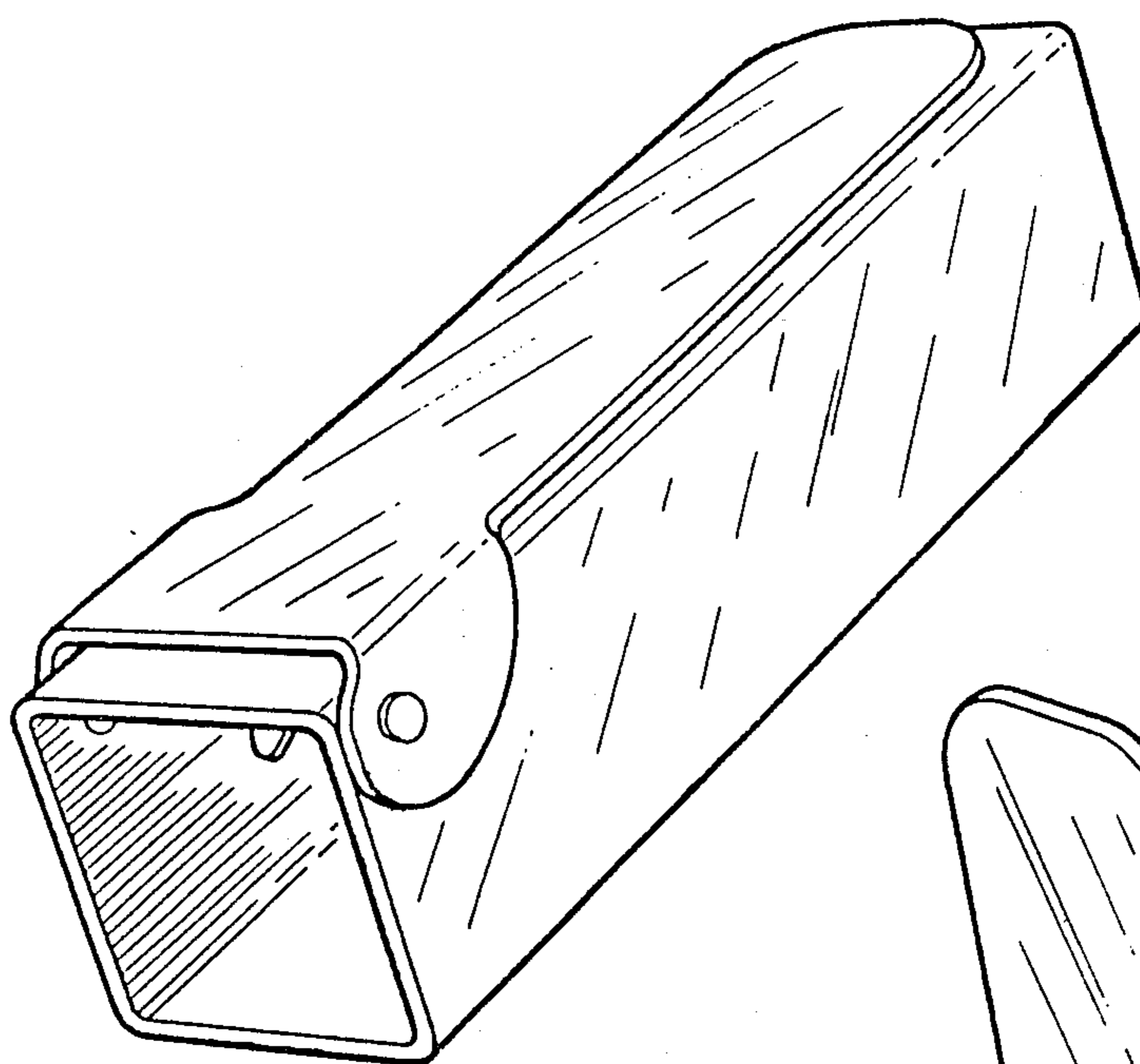


FIG. 1

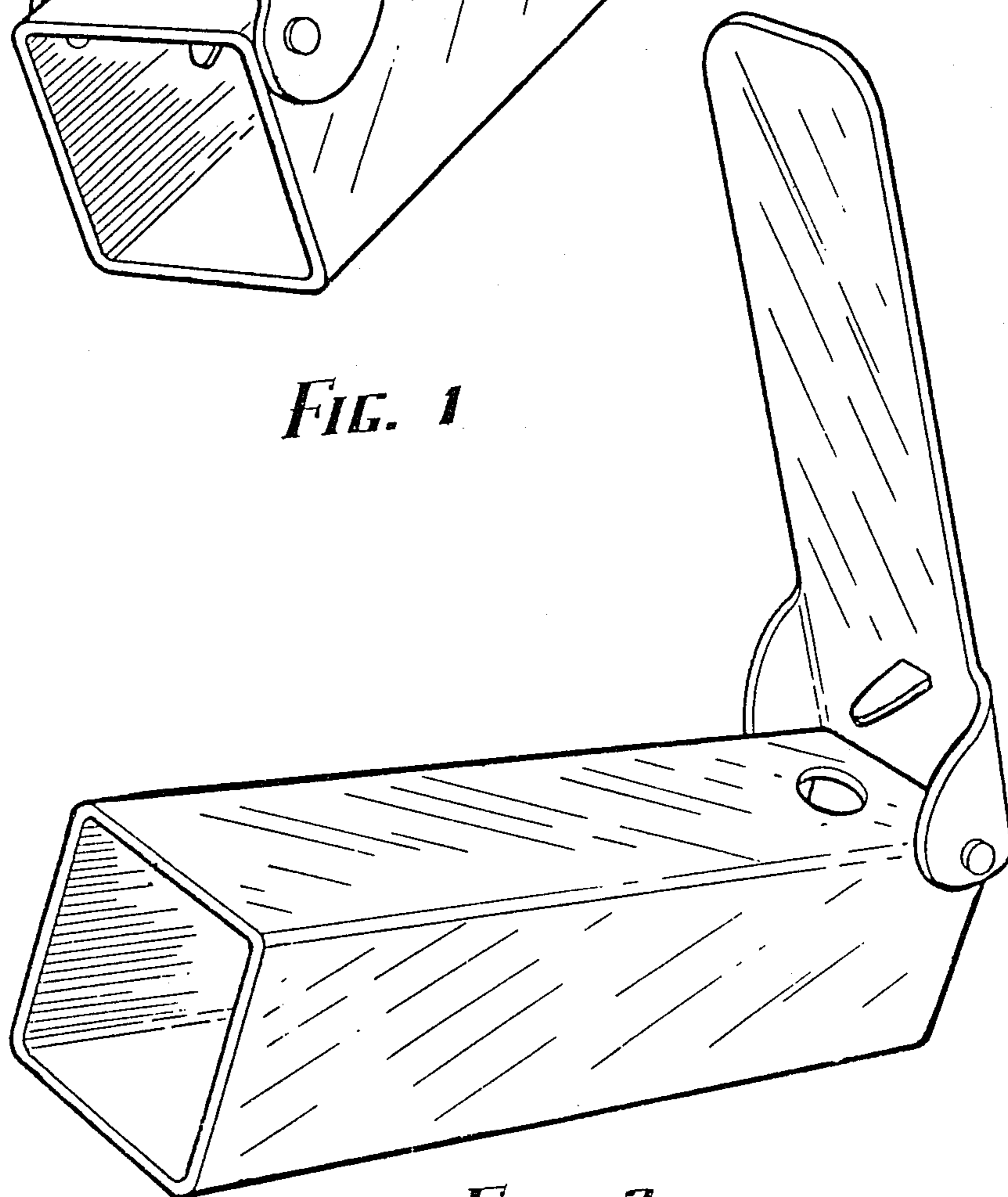


FIG. 2