

# United States Patent [19]

Williams et al.

[11] Patent Number: Des. 298,007

[45] Date of Patent: \*\* Oct. 11, 1988

## [54] WRENCH EXTENDER

[76] Inventors: Robert M. Williams, 408 E. Alto; W. Jeffrey Van Buskirk, P.O. Box 1385, 302 S. Leach St., both of Hobbs, N. Mex. 88240

[\*\*] Term: 14 Years

[21] Appl. No.: 809,918

[22] Filed: Dec. 17, 1985

[52] U.S. Cl. .... D8/17

[58] Field of Search ..... D8/17, 21; 81/177.2

## [56] References Cited

### U.S. PATENT DOCUMENTS

1,511,738 10/1924 Lownsbey ..... 81/177.2  
4,644,600 2/1987 Fugate ..... 81/177.2

## FOREIGN PATENT DOCUMENTS

308164 10/1918 Fed. Rep. of Germany ..... 81/177.2

*Primary Examiner*—James M. Gandy

*Attorney, Agent, or Firm*—Burns, Doane, Swecker & Mathis

## [57] CLAIM

The ornamental design for a wrench extender, as shown.

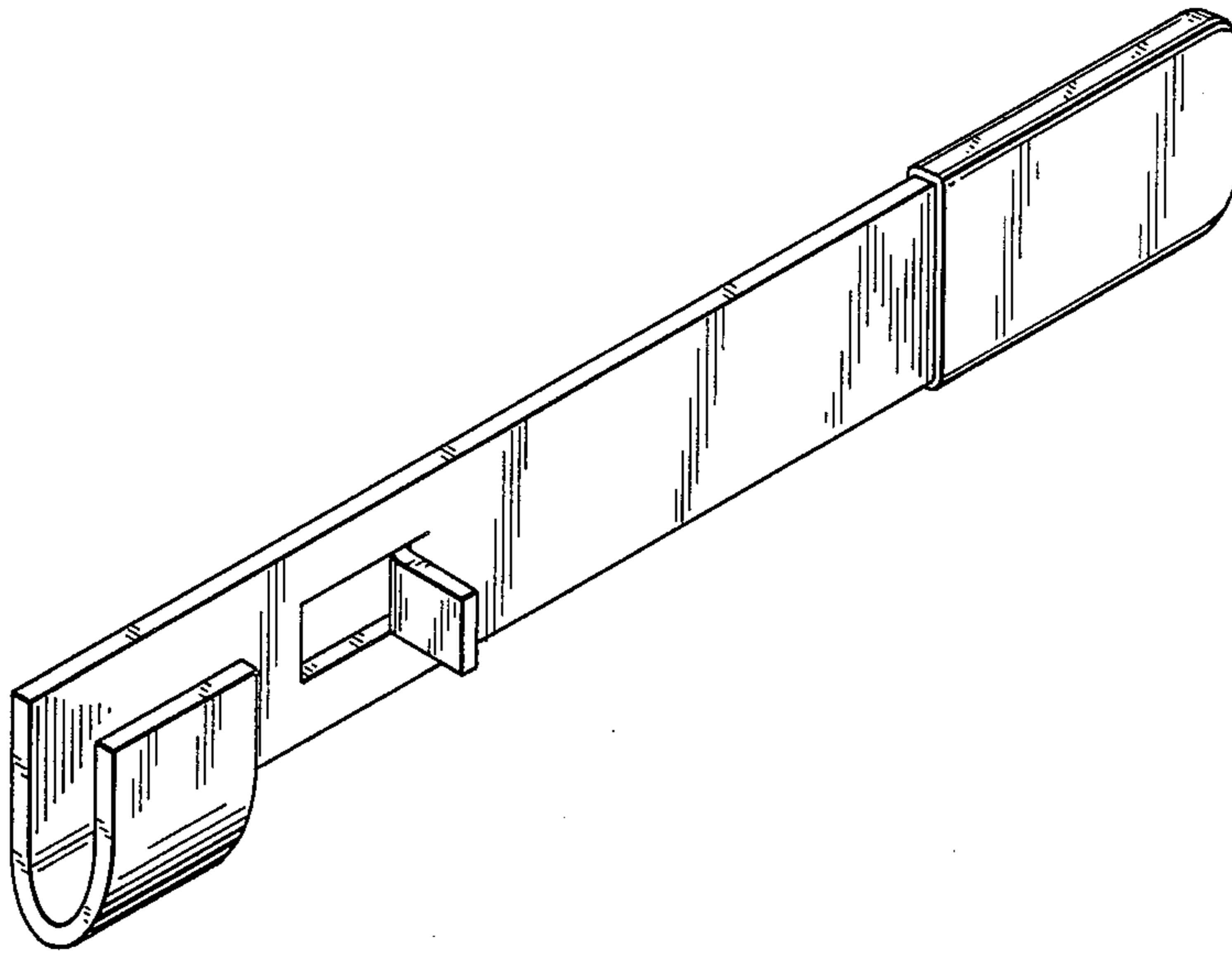
## DESCRIPTION

FIG. 1 is a front perspective view of a wrench extender showing our new design;

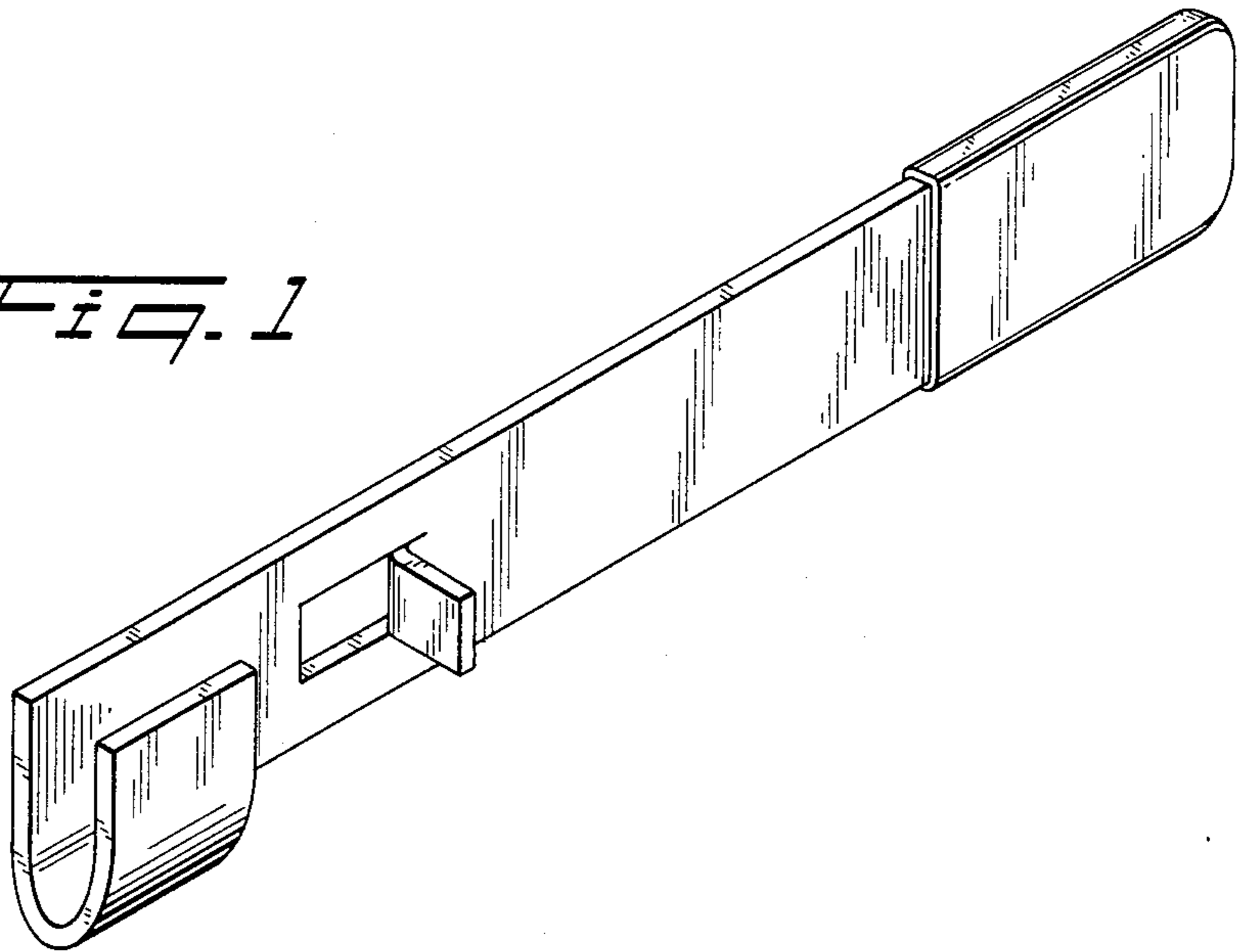
FIG. 2 is a back perspective view thereof;

FIG. 3 is a right end elevational view thereof;

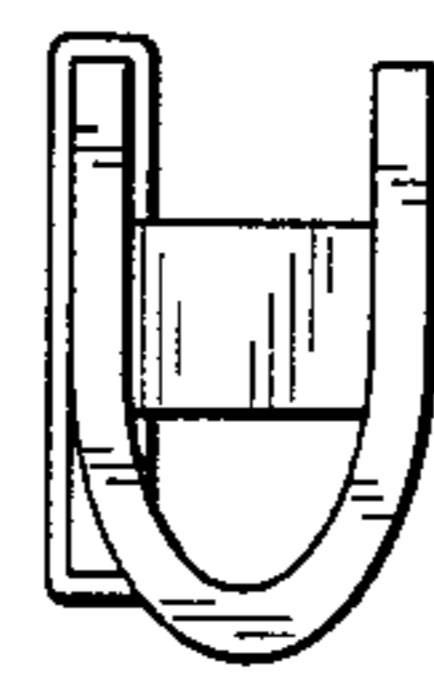
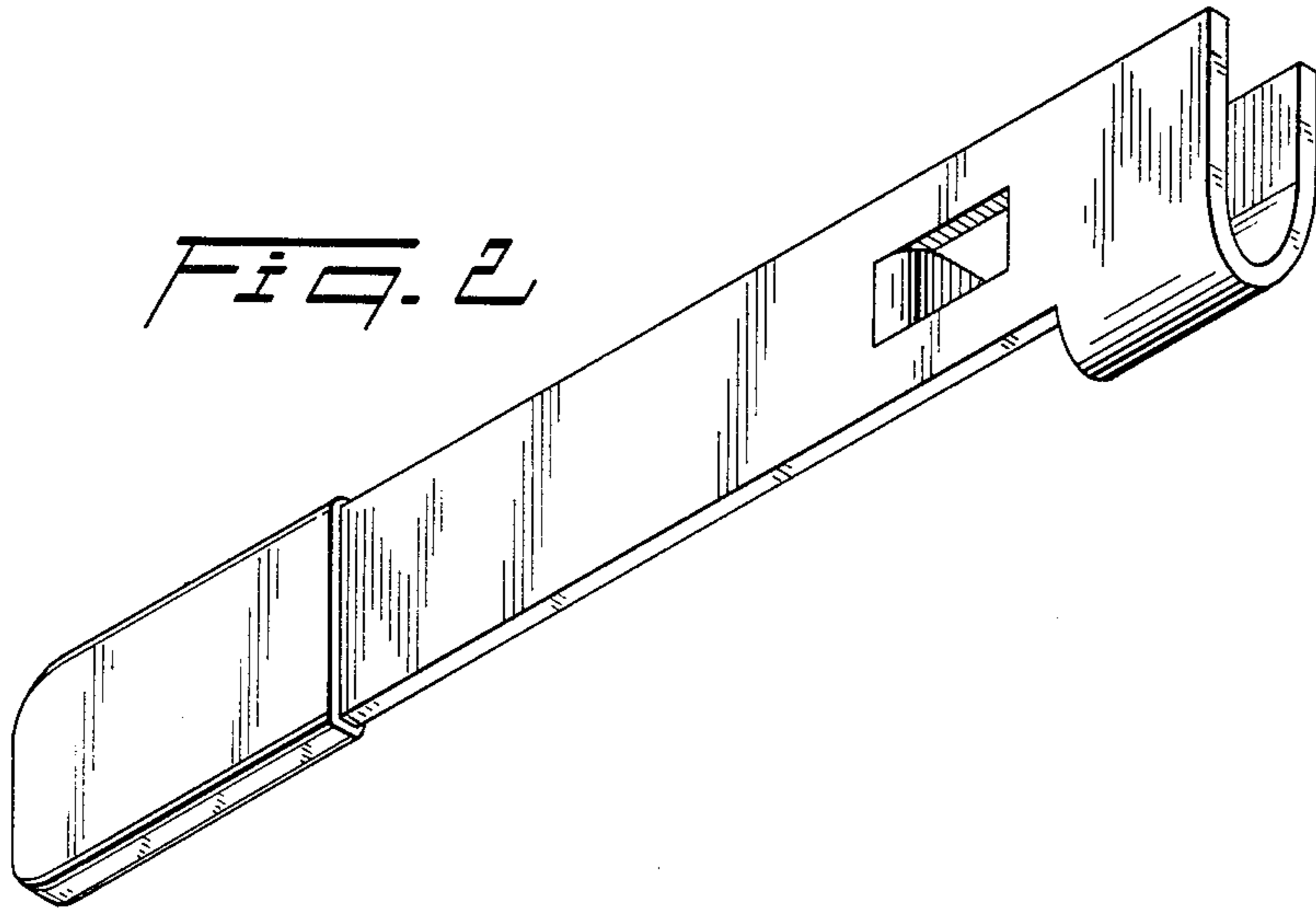
FIG. 4 is a left end elevational view thereof;



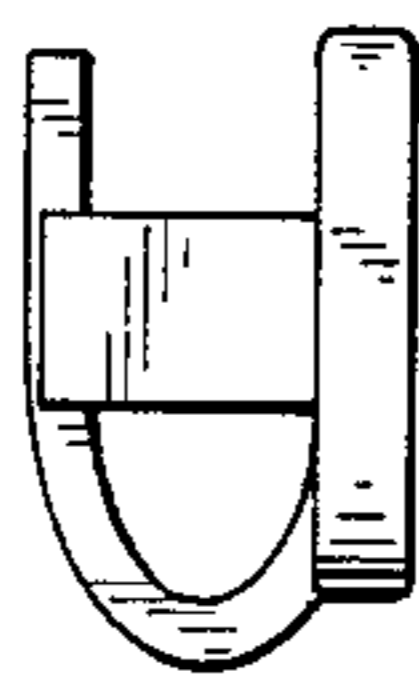
*Fig. 1*



*Fig. 2*



*Fig. 4*



*Fig. 3*