

[54] **COMBINED DISPENSER AND COOLER FOR MILK**

[75] **Inventor: Clive J. Southernwood, Horsham, United Kingdom**

[73] **Assignee: Autonumis Limited, Tetbury, England**

[\*\*] **Term: 14 Years**

[21] **Appl. No.: 818,868**

[22] **Filed: Jan. 14, 1986**

[52] **U.S. Cl. .... D7/311; D15/81**

[58] **Field of Search ..... D15/80, 81, 82; D20/4, D20/5; D7/305, 309, 311, 306, 307, 308, 300, 312; 222/129.1-129.4; 141/198, 95, 207, 234, 361**

[56] **References Cited**

**U.S. PATENT DOCUMENTS**

- D. 178,846 9/1956 Norris ..... D7/308
- D. 196,629 10/1963 De Carli ..... D7/309
- D. 223,325 4/1972 Mox ..... D7/311

**FOREIGN PATENT DOCUMENTS**

- 401399 5/1966 Switzerland ..... D7/308 X

*Primary Examiner—Winifred E. Herrmann  
Attorney, Agent, or Firm—Ladas & Parry*

[57] **CLAIM**

The ornamental design for a combined dispenser and cooler for milk, as shown and described.

**DESCRIPTION**

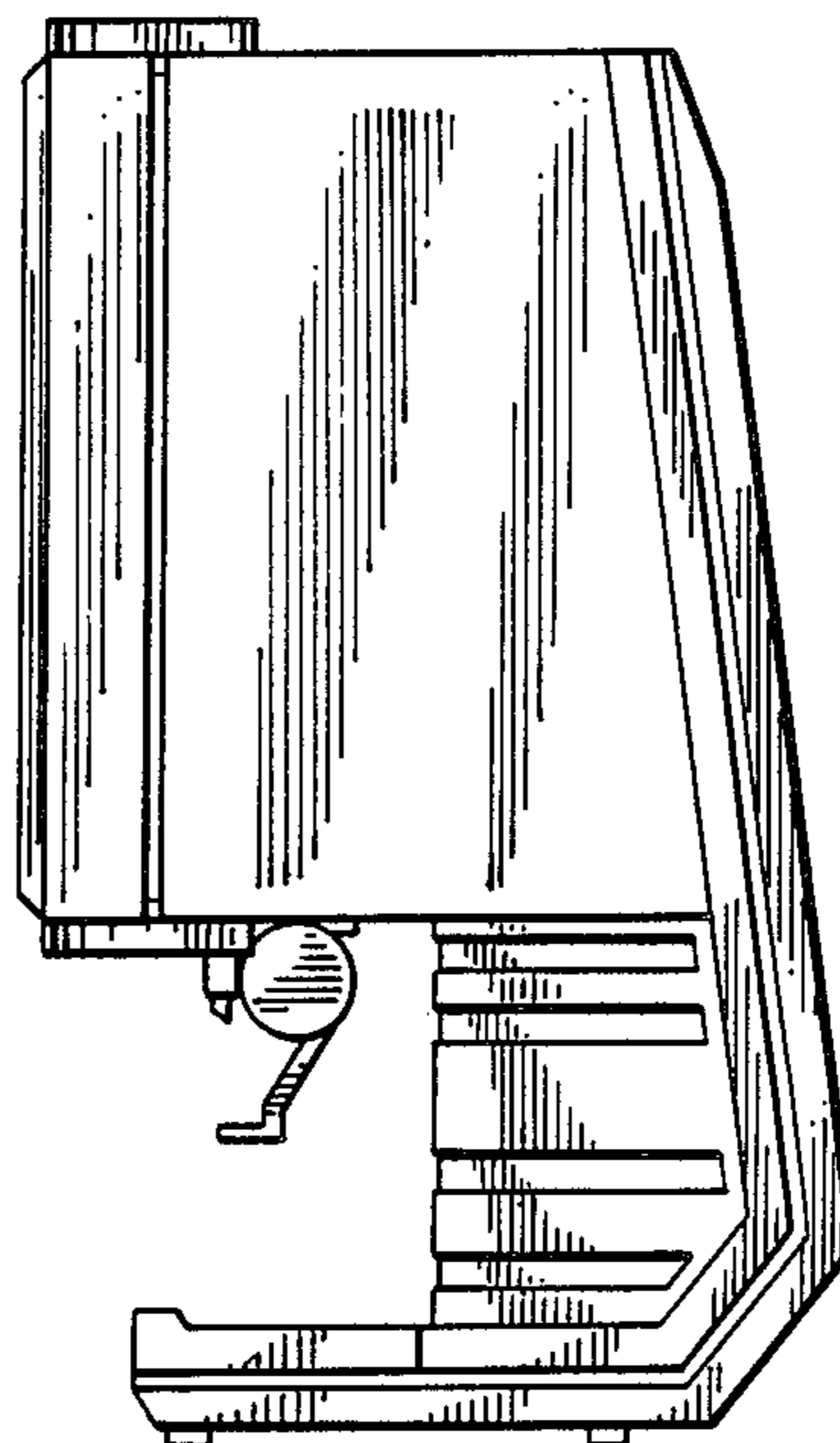
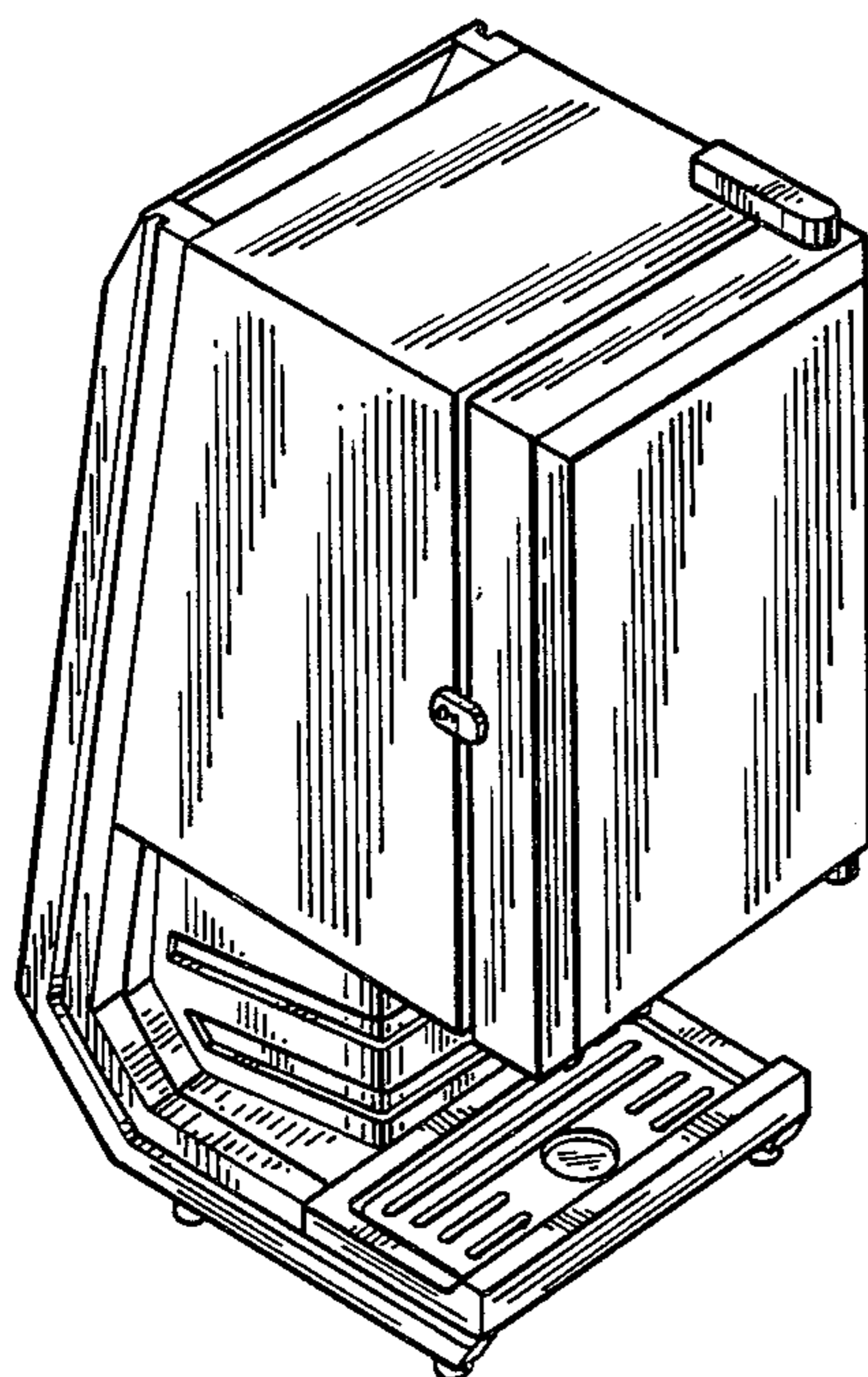
FIG. 1 is a top, front, and left side perspective view of a combined dispenser and cooler for milk showing my new design;

FIG. 2 is a rear elevational view thereof;

FIG. 3 is a front elevational view thereof;

FIG. 4 is a right side elevational view thereof; and

FIG. 5 is a bottom plan view thereof.



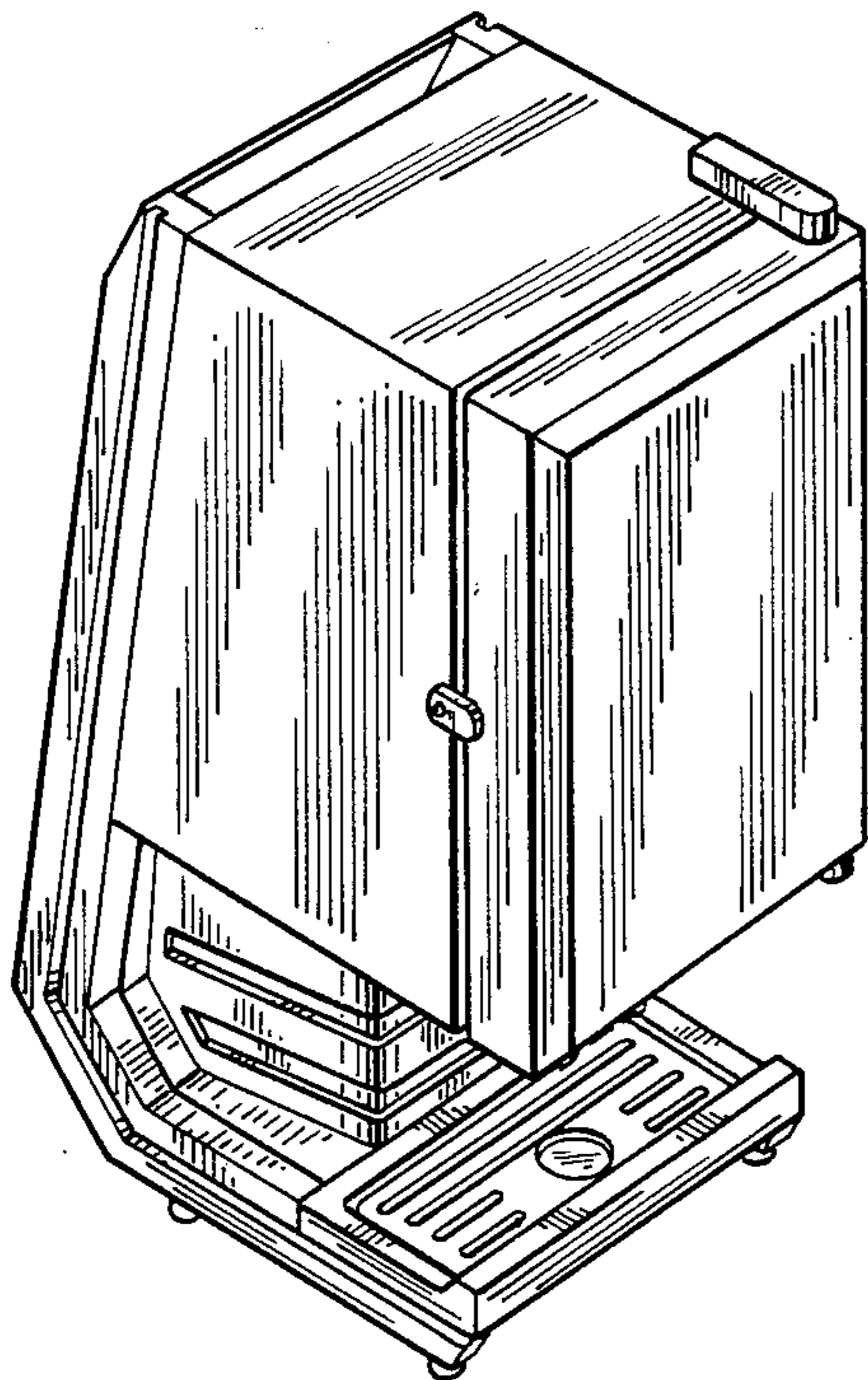


Fig.1

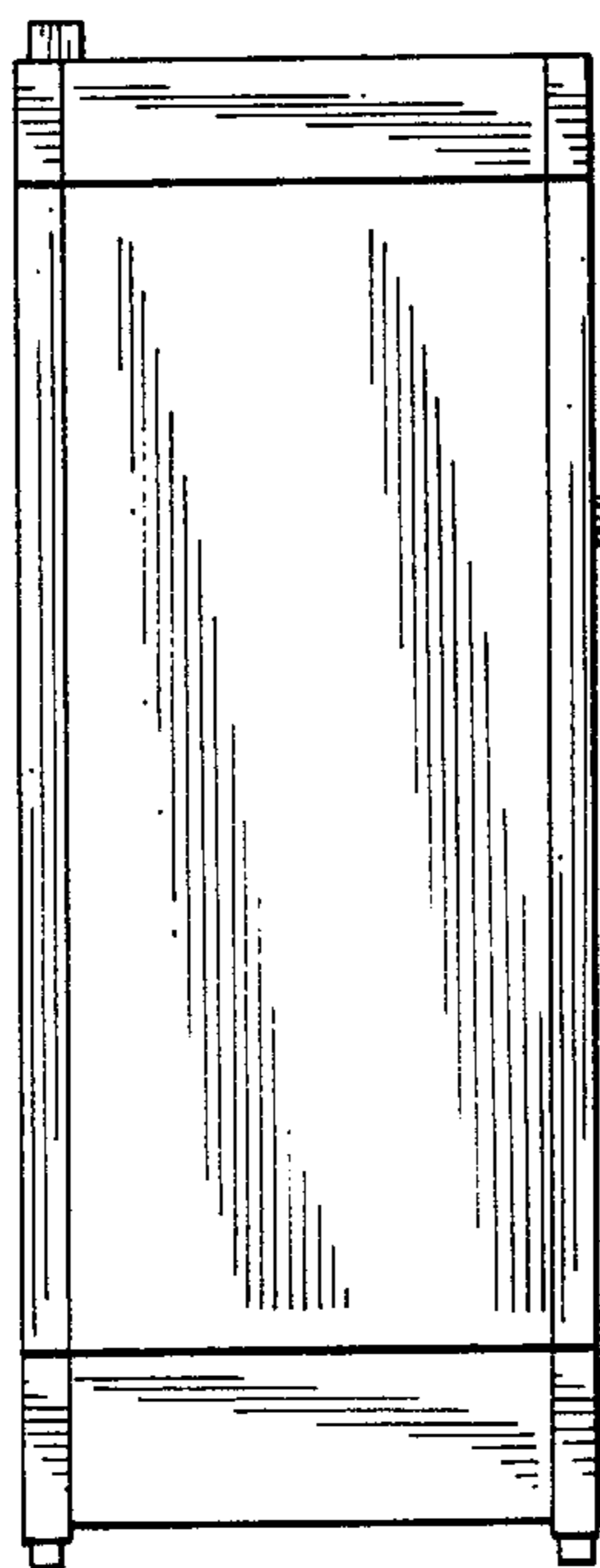


Fig.2

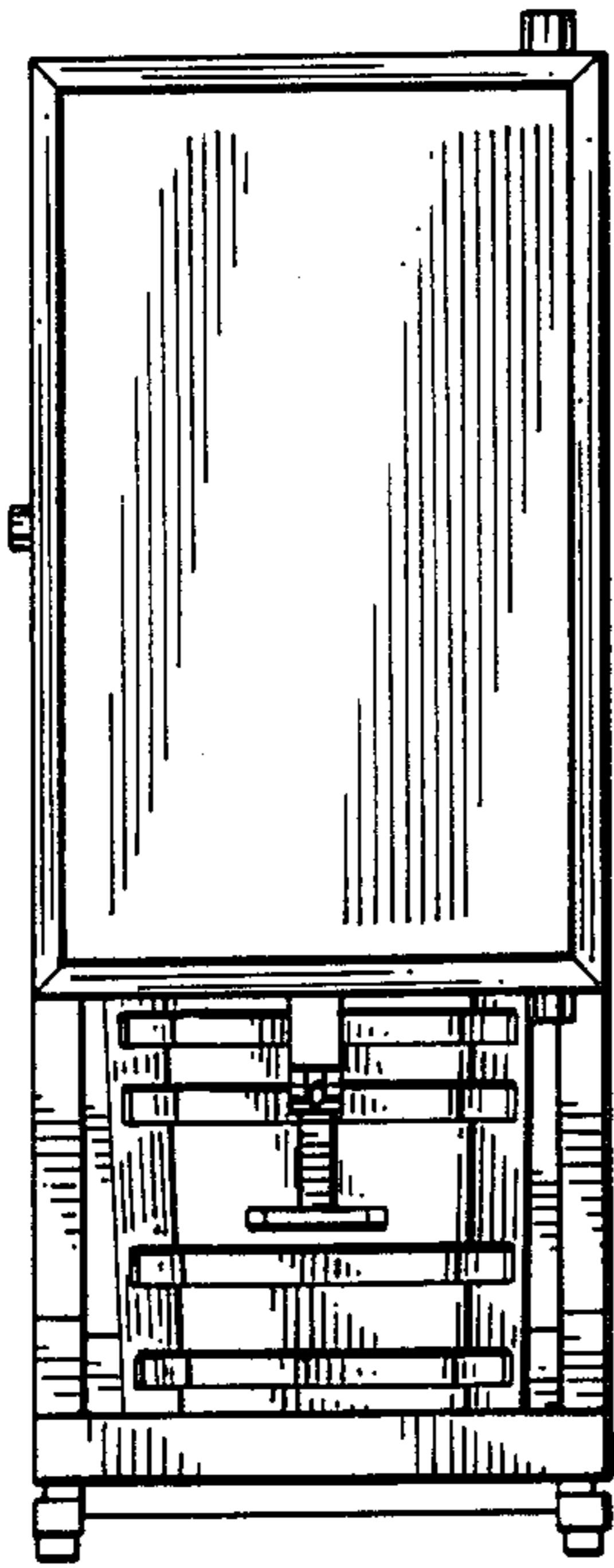


Fig.3

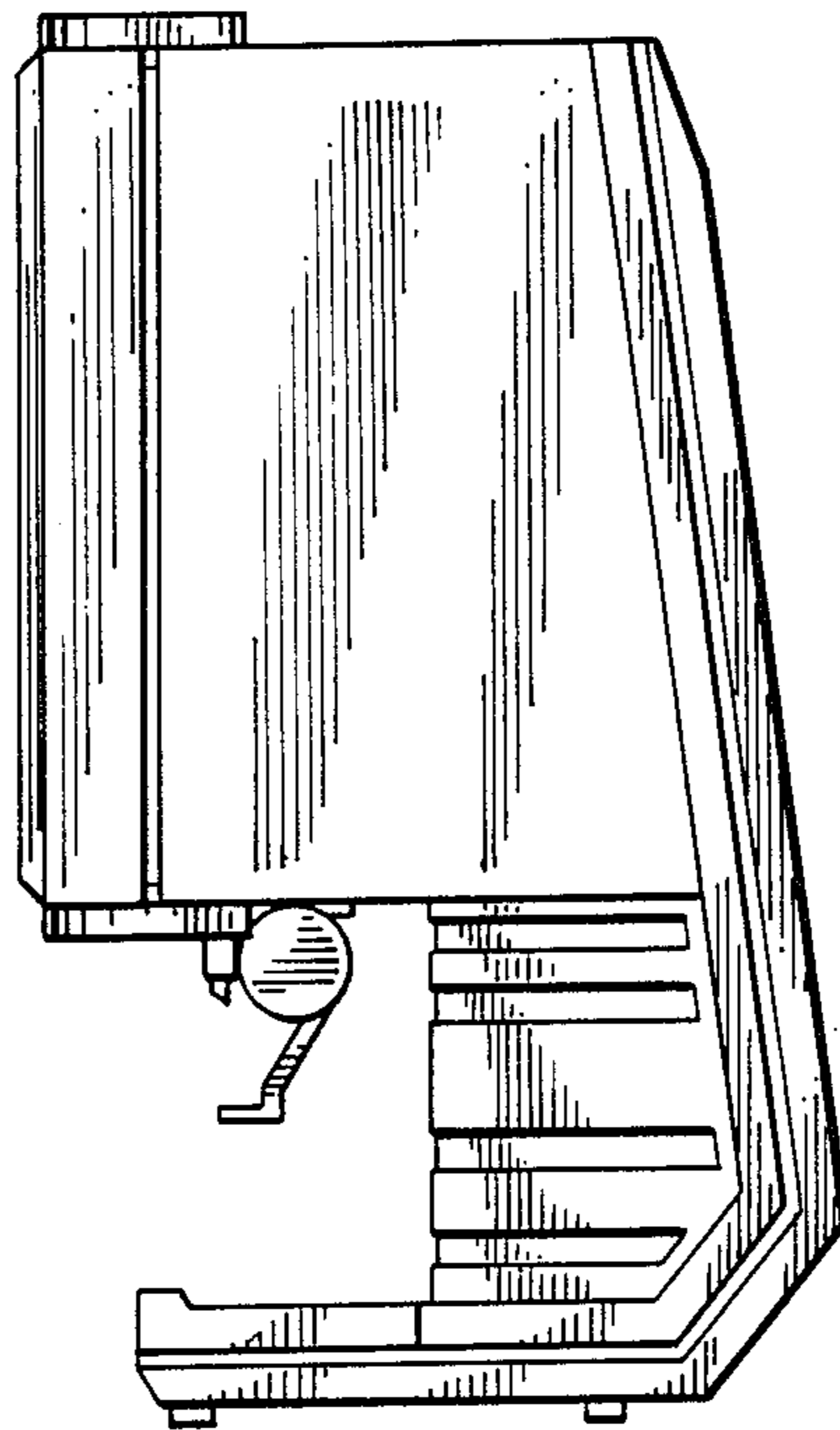


Fig.4

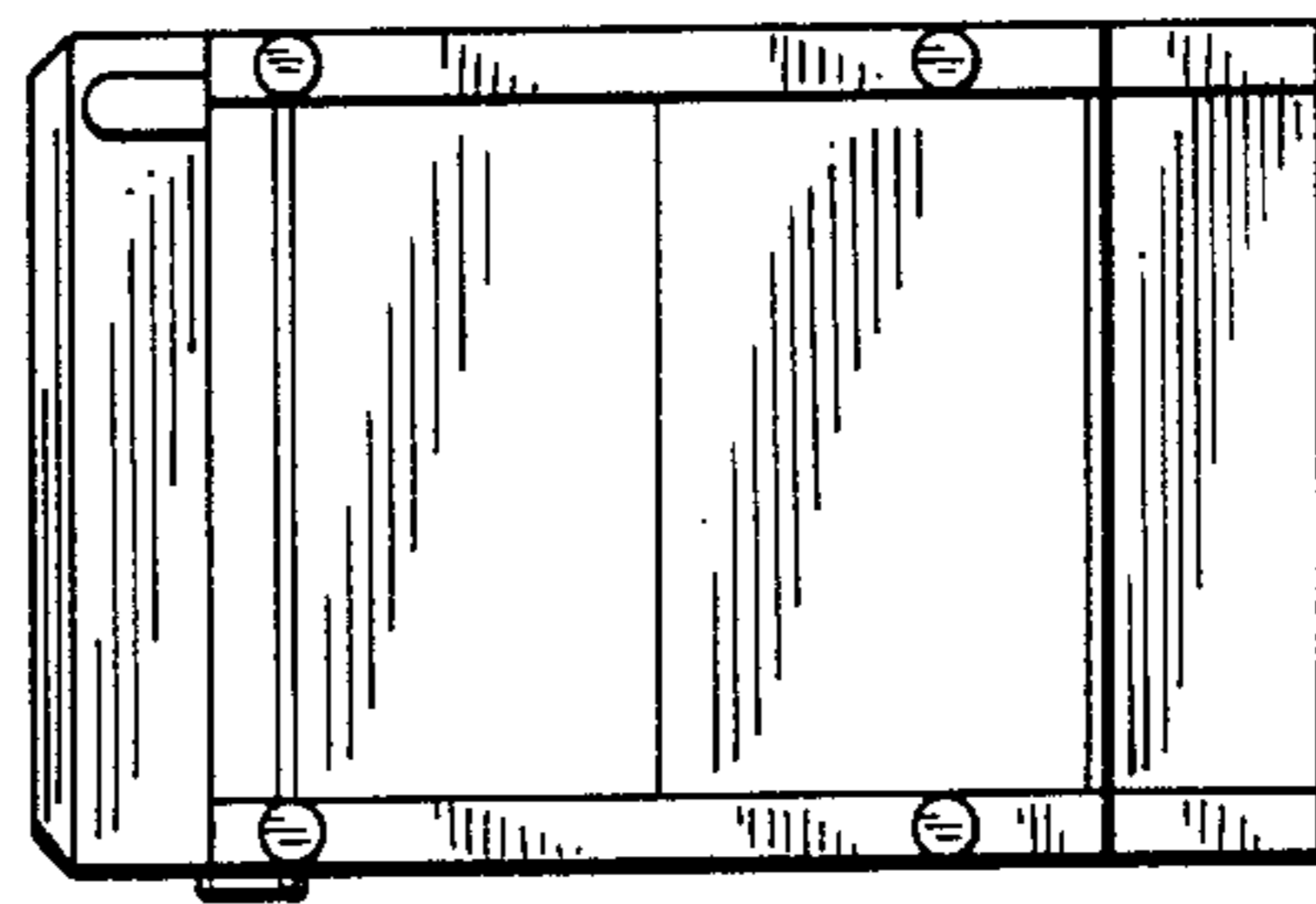


Fig.5