

[54] SUPPORT FRAME FOR A DISPLAY CARTON

[75] Inventor: Sydney Edson, East Meadow, N.Y.

[73] Assignee: Sara Lee Corporation, Winston-Salem, N.C.

[**] Term: 14 Years

[21] Appl. No.: 851,360

[22] Filed: Apr. 10, 1986

[52] U.S. Cl. D6/566

[58] Field of Search D6/512, 553, 566-567, D6/569-570; 211/13, 18, 42-43, 60.1, 71, 86-87, 89, 106, 175, 181; 248/112, 175-176

[56] References Cited

U.S. PATENT DOCUMENTS

D. 222,367 10/1971 Goss D6/566
917,170 4/1909 Short 248/112
2,994,441 8/1961 Browning, Jr. D6/566 X

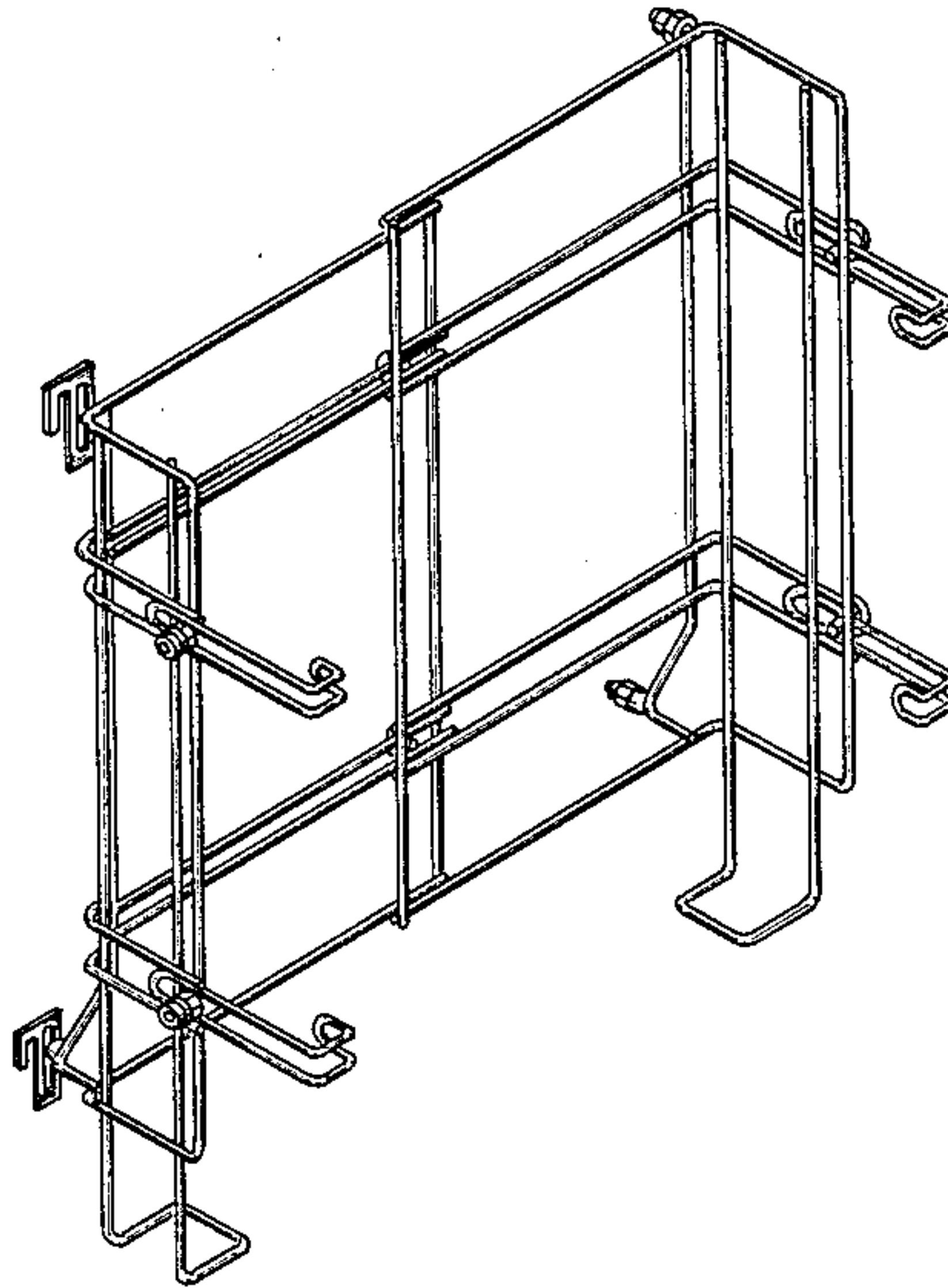
Primary Examiner—Wallace R. Burke
Assistant Examiner—B. Vinson

[57] CLAIM

The ornamental design for a support frame for a display carton, as shown.

DESCRIPTION

FIG. 1 is a top, front and left side perspective view of a support frame for a display carton showing my new design;
FIG. 2 is a top plan view thereof;
FIG. 3 is a front elevational view thereof; and
FIG. 4 is a right side elevational view thereof.



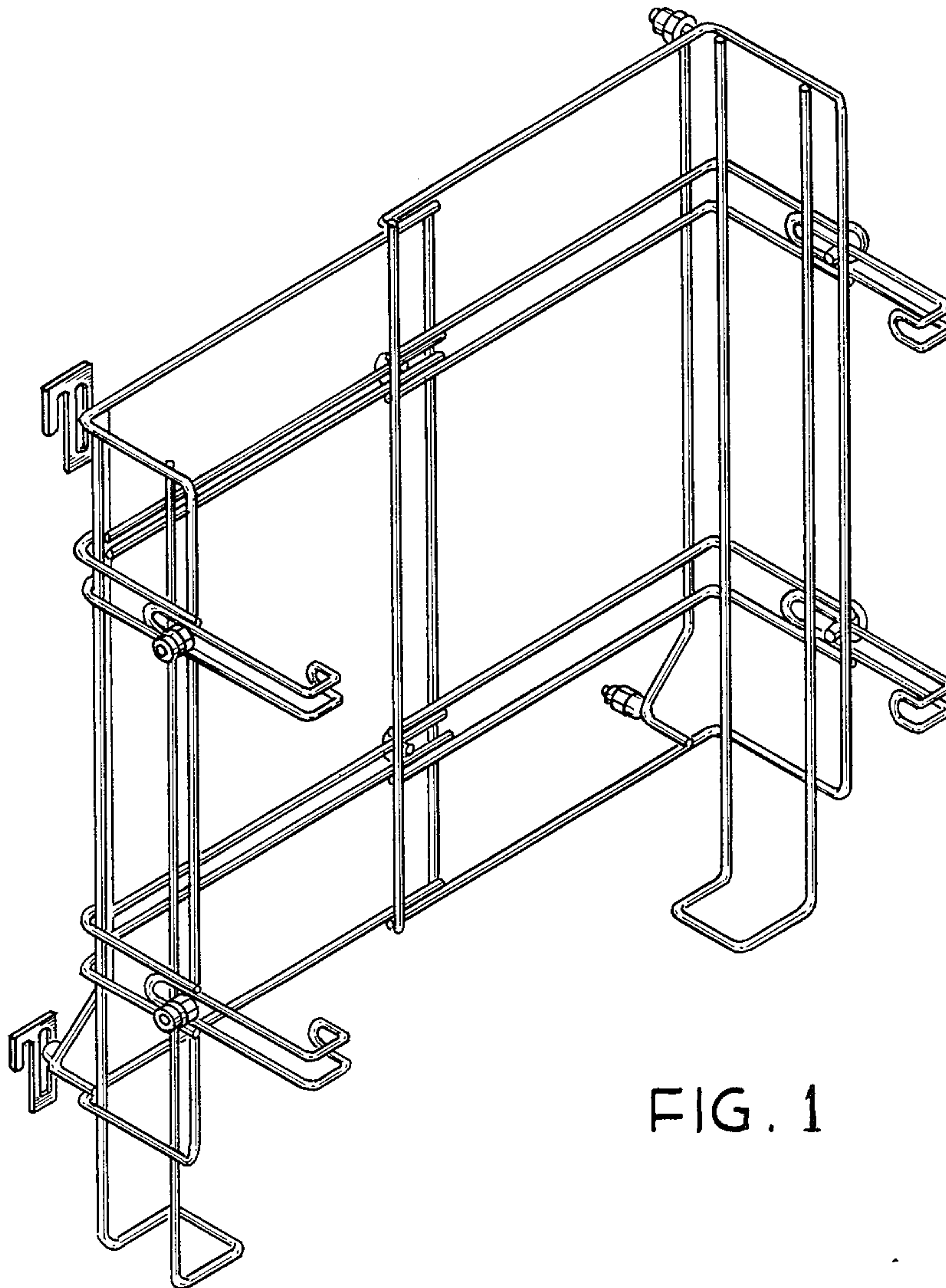


FIG. 1

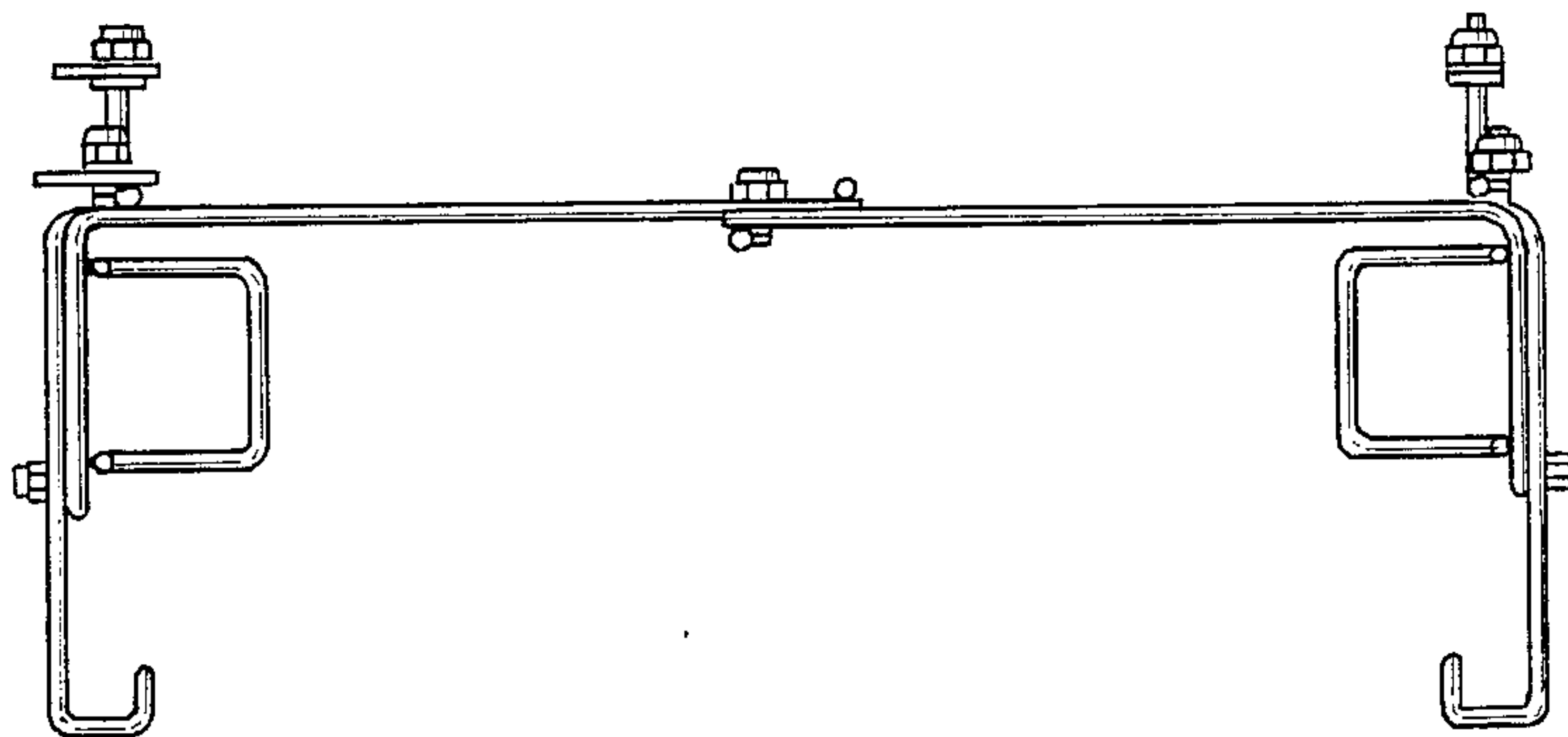


FIG. 2

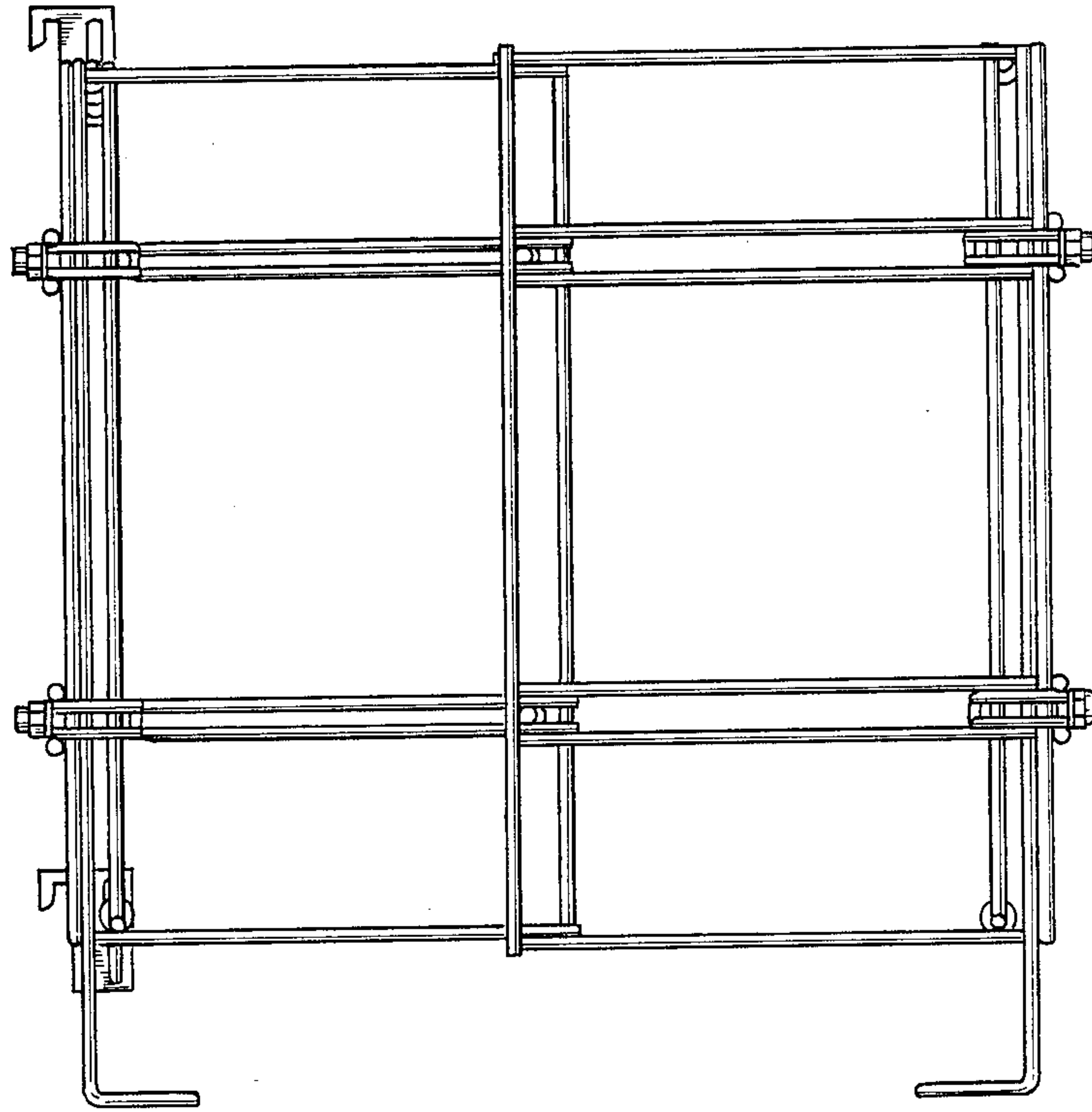


FIG. 3

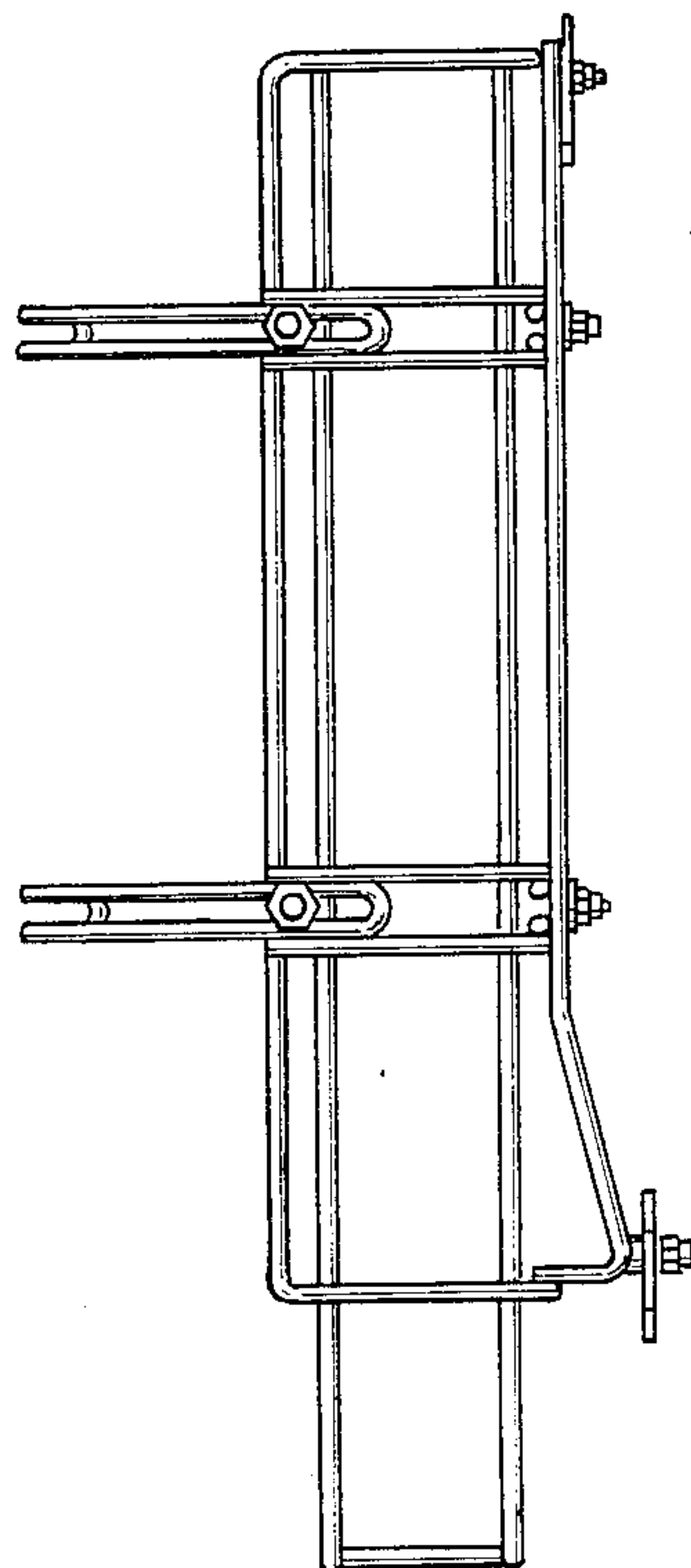


FIG. 4