

United States Patent [19]

Whitton

[11] Patent Number: **Des. 297,994**

[45] Date of Patent: **** Oct. 11, 1988**

[54] CHAIR FRAME

[76] Inventor: **Robert Whitton, 7262 SW. 52nd Ct., Miami, Fla. 33143**

[**] Term: **14 Years**

[21] Appl. No.: **891,672**

[22] Filed: **Aug. 1, 1986**

[52] U.S. Cl. **D6/500; D6/363**

[58] Field of Search **D6/334, 363, 378, 379, D6/380**

[56] **References Cited**

U.S. PATENT DOCUMENTS

D. 57,627	4/1921	Erikson	D6/363
D. 62,102	3/1923	Gillam	D6/363
D 188,843	4/1960	Kagan	D6/363
D. 270,976	10/1983	Rowland	D6/379

D. 274,677 7/1984 Weiner D6/363

Primary Examiner—Bruce W. Dunkins
Attorney, Agent, or Firm—John Cyril Malloy

[57] **CLAIM**

The ornamental design for a chair frame, as shown and described.

DESCRIPTION

FIG. 1 is a front perspective view of a chair frame showing my design;

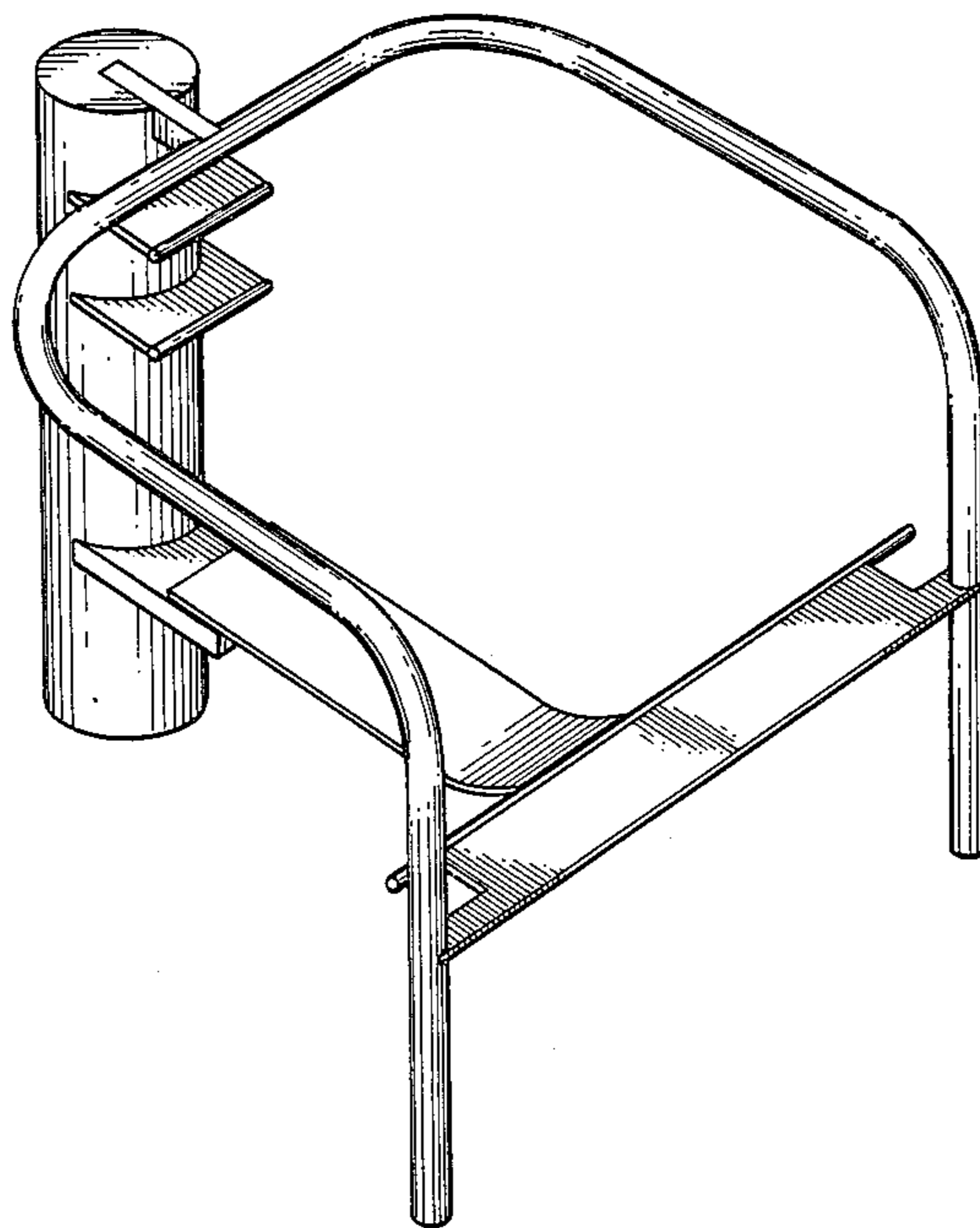
FIG. 2 is a side elevational view on a reduced scale, the opposite side being a mirror image thereof;

FIG. 3 is a rear elevational view on a reduced scale;

FIG. 4 is a top plan view on a reduced scale;

FIG. 5 is a front elevational view on a reduced scale; and

FIG. 6 is a bottom plan view thereof on a reduced scale.



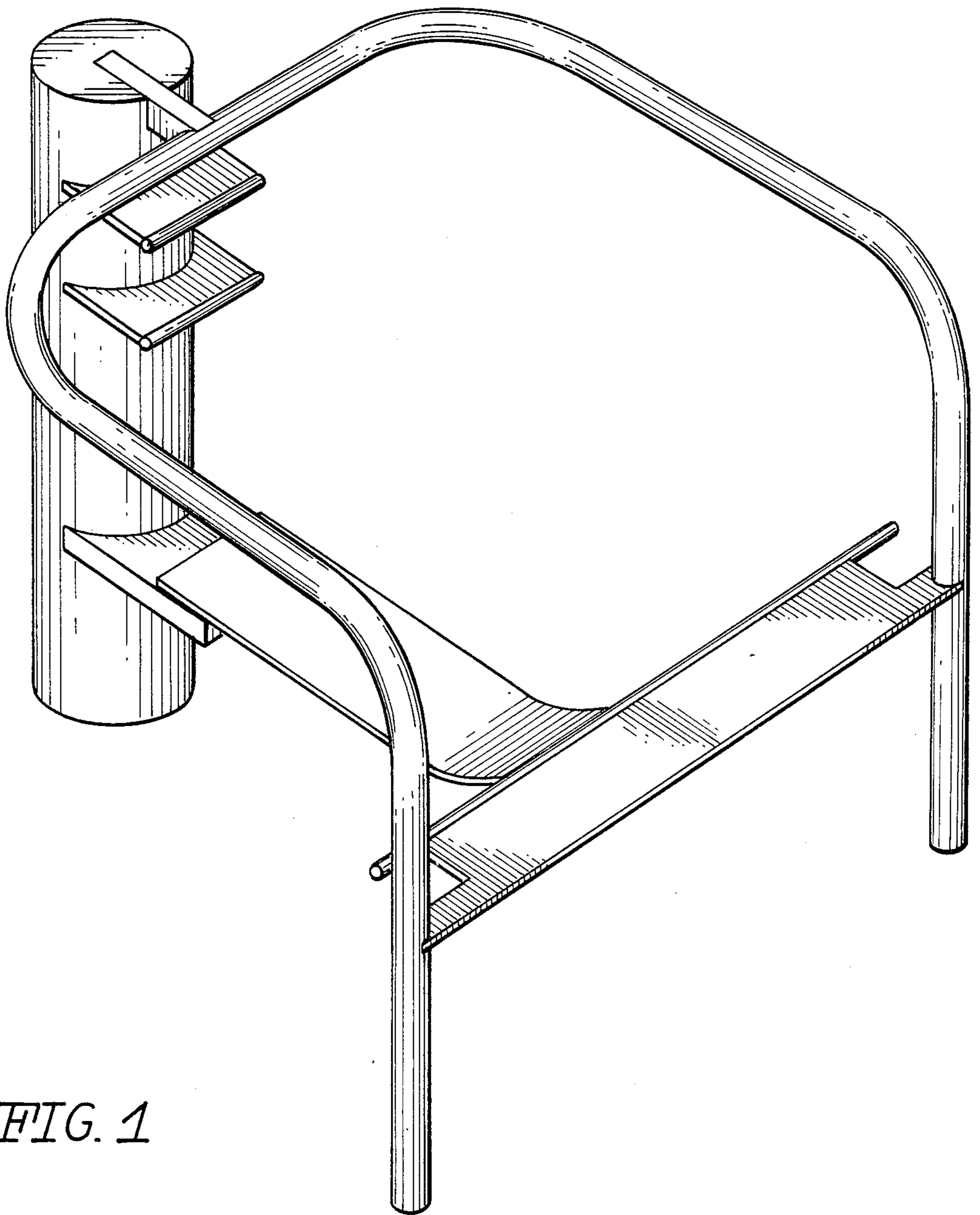


FIG. 1

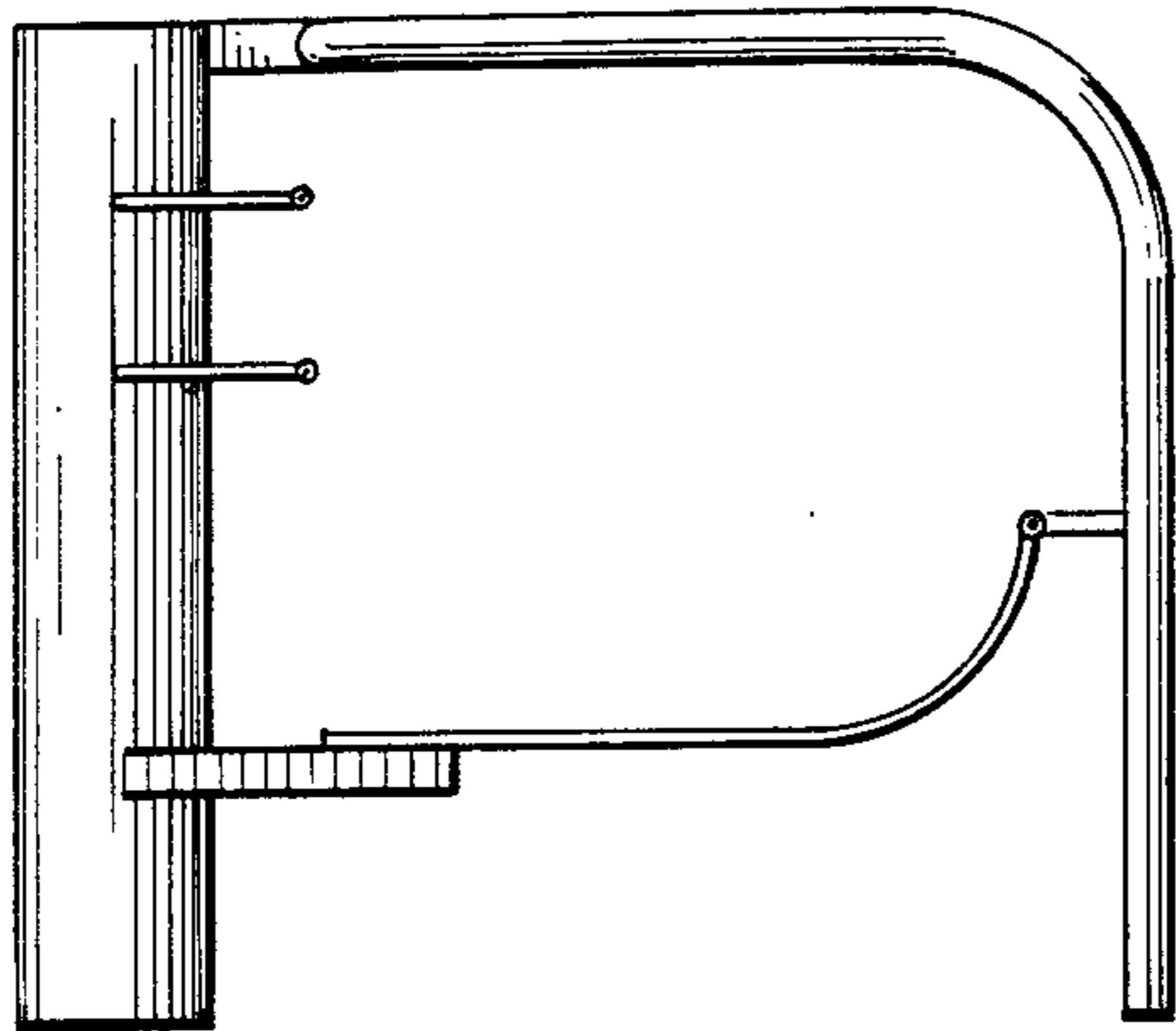


FIG. 2

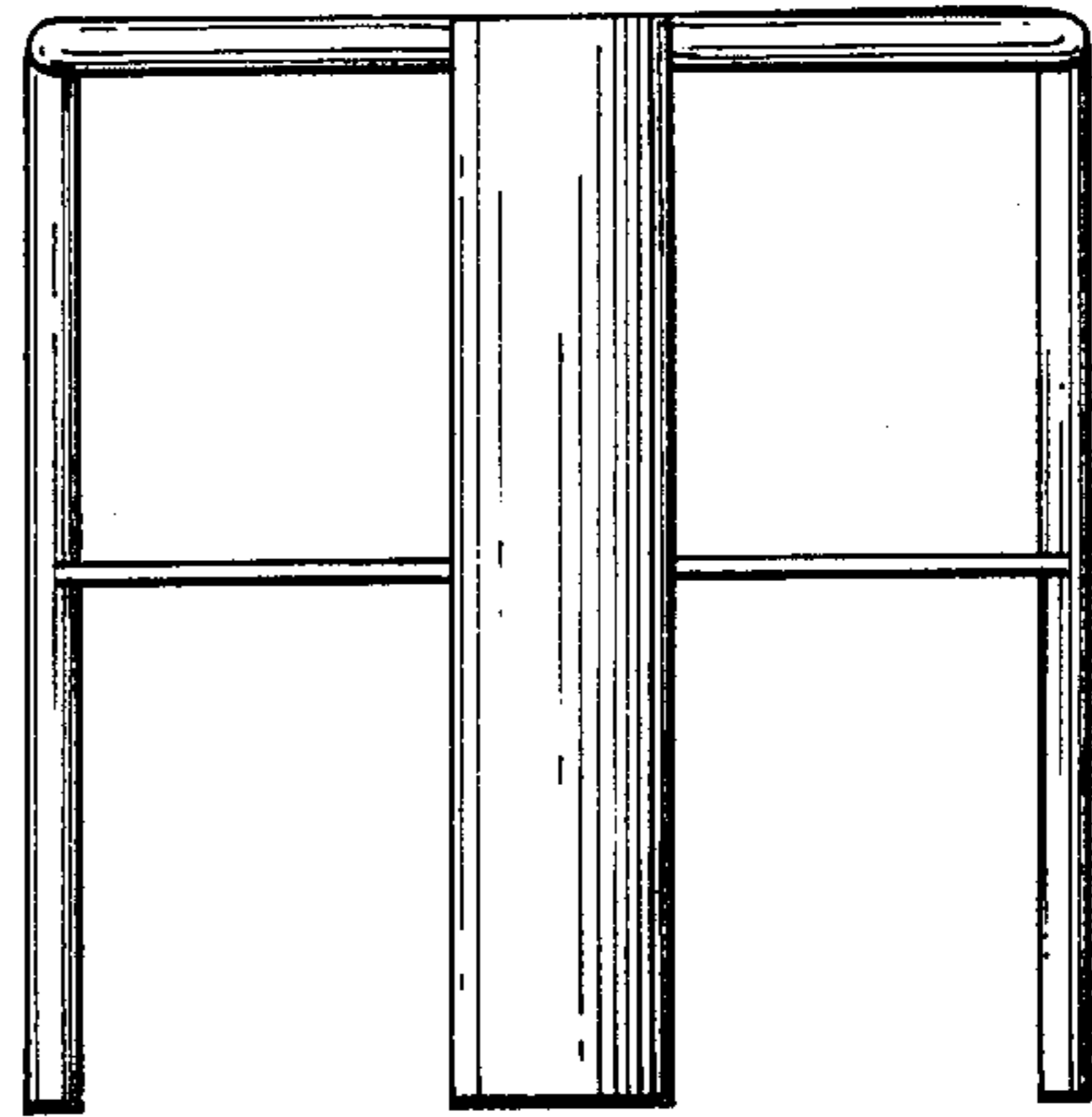


FIG. 3

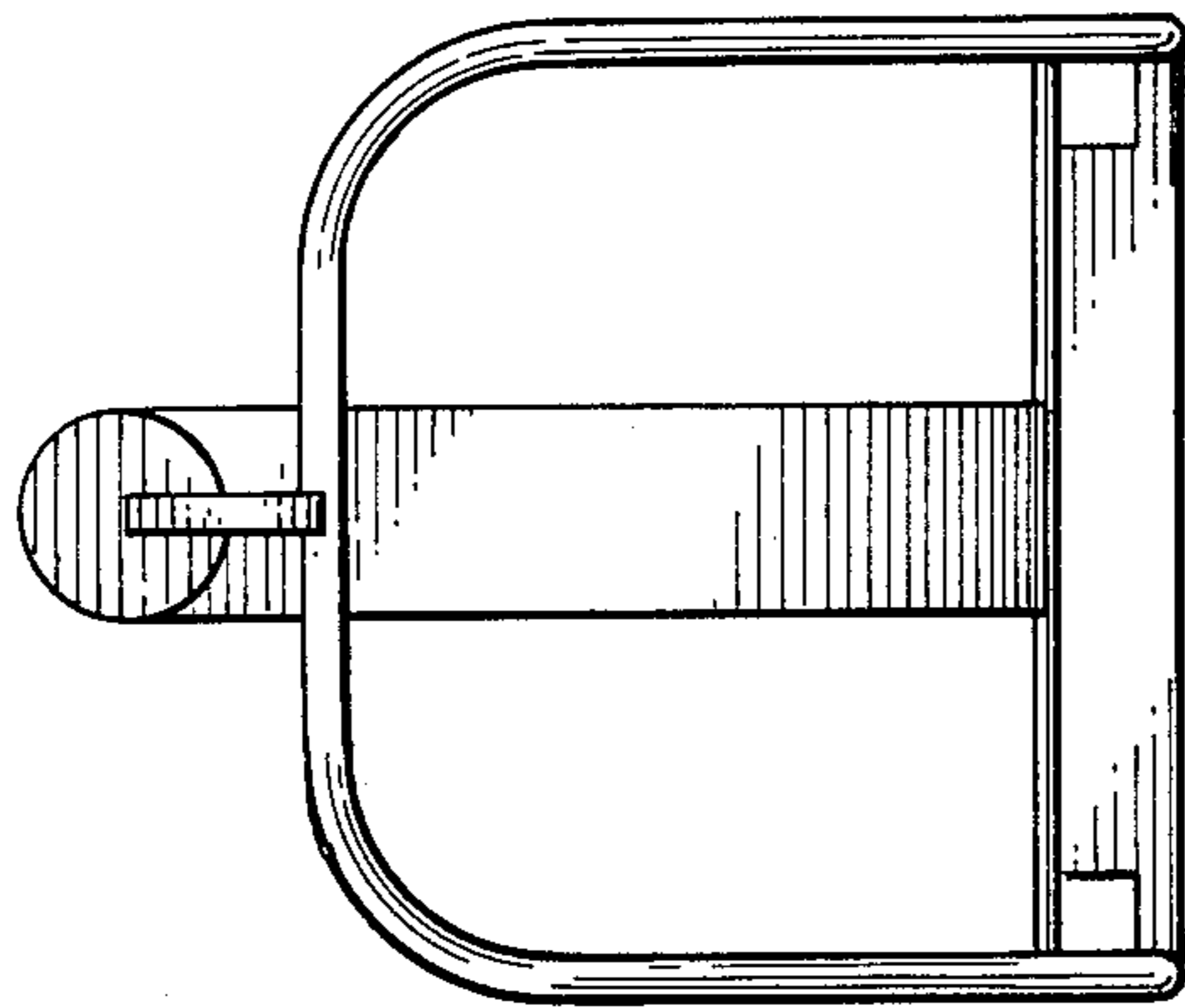


FIG. 4

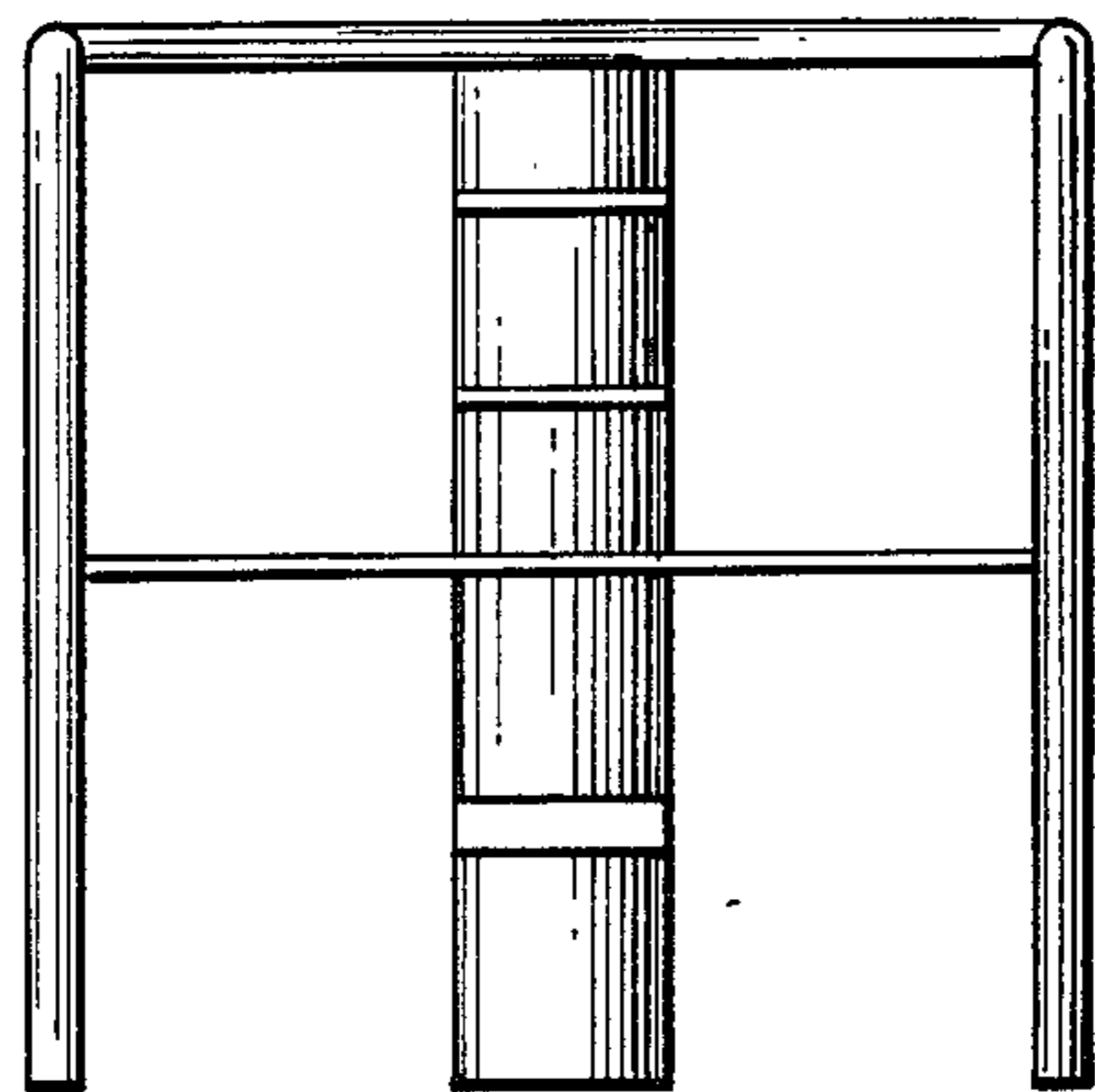


FIG. 5

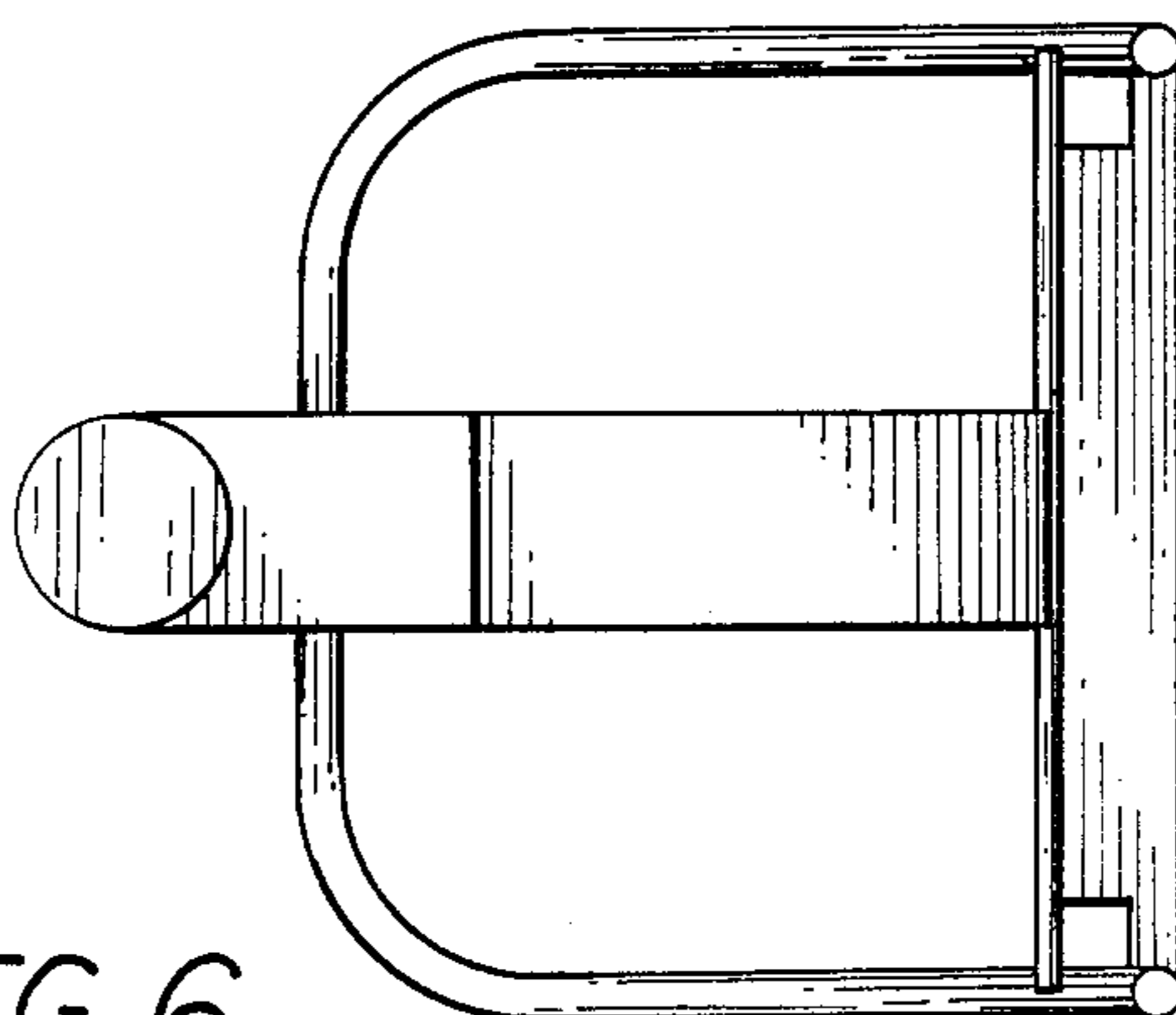


FIG. 6