

[54] **BASE FOR A GARMENT DISPLAY RACK**

[75] Inventor: **Maurice Cohen, Miami, Fla.**

[73] Assignee: **Capitol Hardware Mfg. Co., Inc., Chicago, Ill.**

[\*\*] Term: **14 Years**

[21] Appl. No.: **792,693**

[22] Filed: **Oct. 28, 1985**

[52] U.S. Cl. .... **D6/498; D6/411; D6/415**

[58] Field of Search ..... **D6/360, 411, 462, 498, D6/495, 415**

[56] **References Cited**

**U.S. PATENT DOCUMENTS**

- D. 123,259 10/1940 Cramer ..... D6/498 X
- D. 171,659 3/1954 Neagle ..... D6/411

- D. 174,408 4/1955 Anderson ..... D6/411
- D. 206,921 2/1967 Burchett ..... D6/462
- D. 274,865 7/1984 Murry ..... D6/360

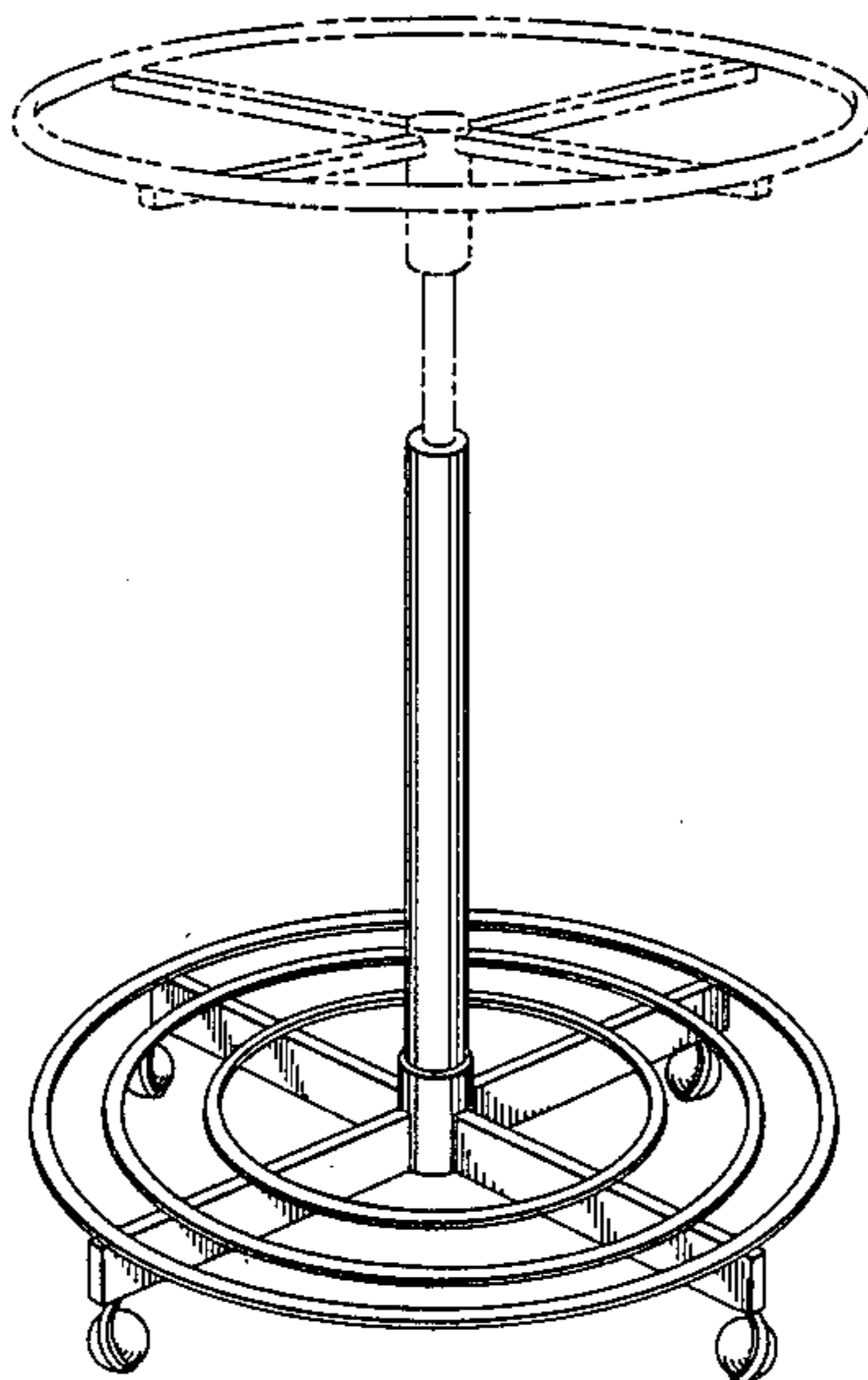
*Primary Examiner*—Bruce W. Dunkins  
*Attorney, Agent, or Firm*—Salter & Michaelson

[57] **CLAIM**

The ornamental design for a base for a garment display rack, substantially as shown and described.

**DESCRIPTION**

FIG. 1 is a perspective view of a base for a garment display rack showing my new design;  
 FIG. 2 is a top plan view thereof;  
 FIG. 3 is a side elevational view wherein portions thereof have been broken away for convenience of illustration.  
 FIG. 4 is a bottom plan view thereof.  
 The broken lines illustrated in FIG. 1 are for illustrative purposes only.



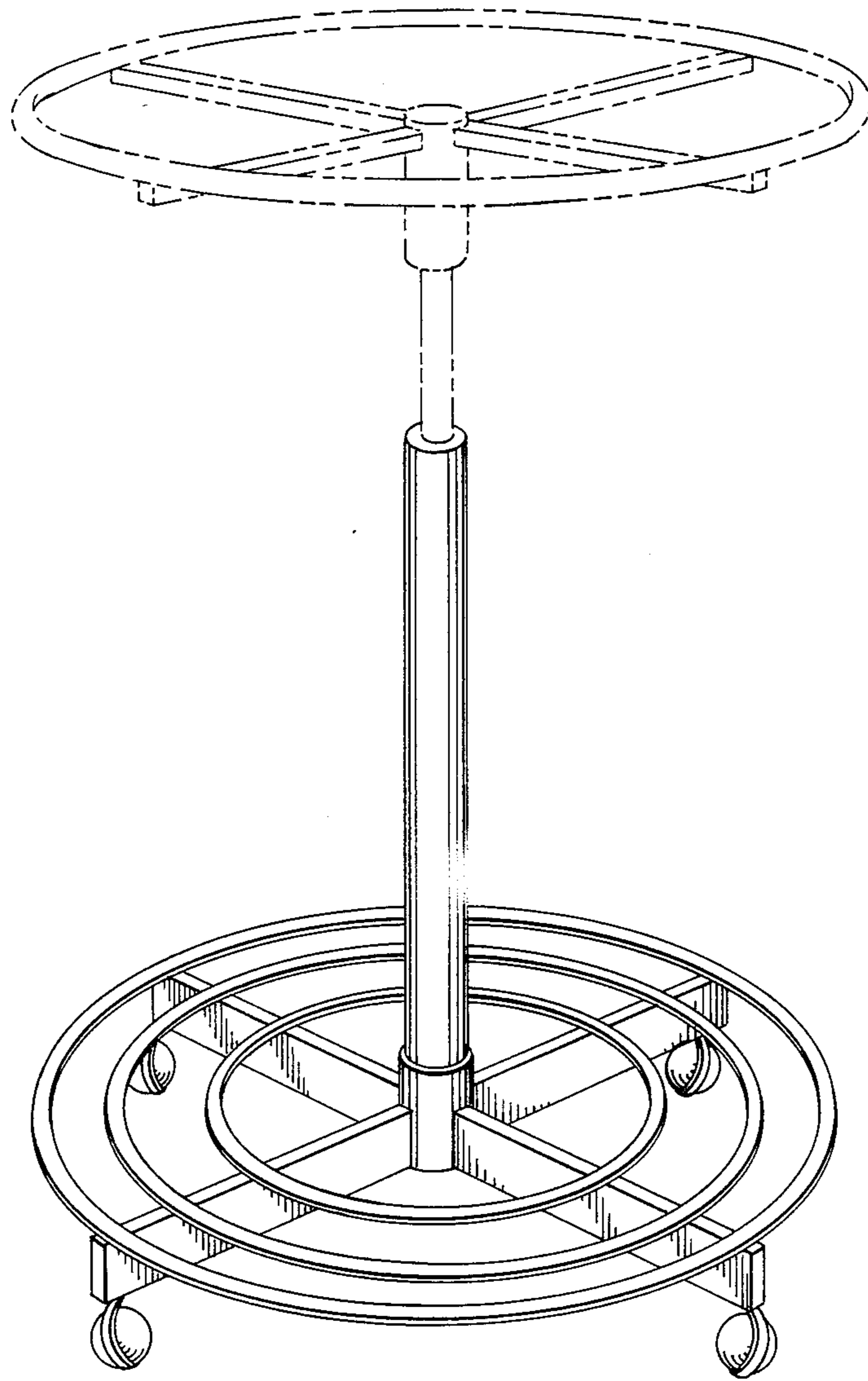


FIG. 1

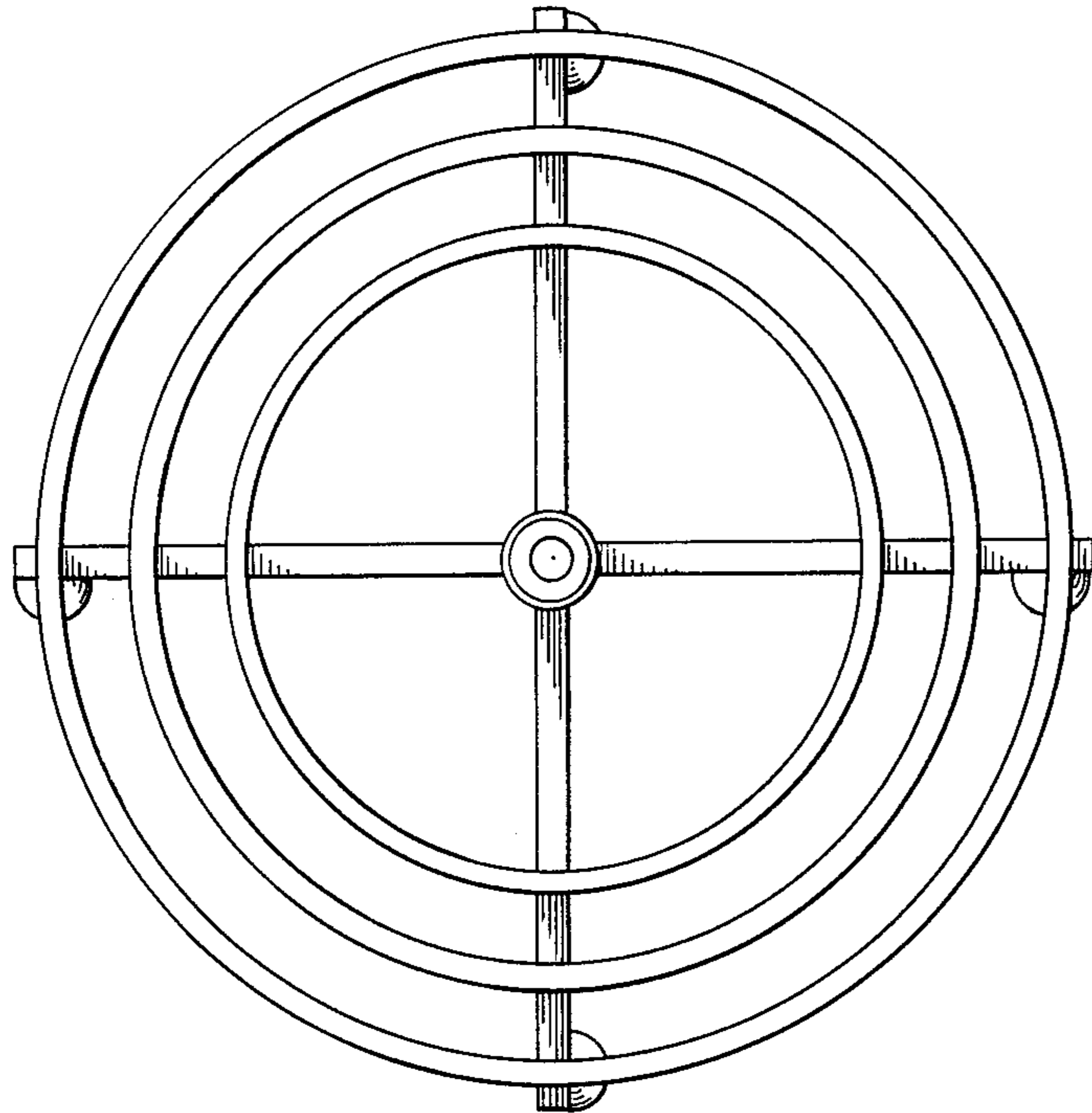


FIG. 2

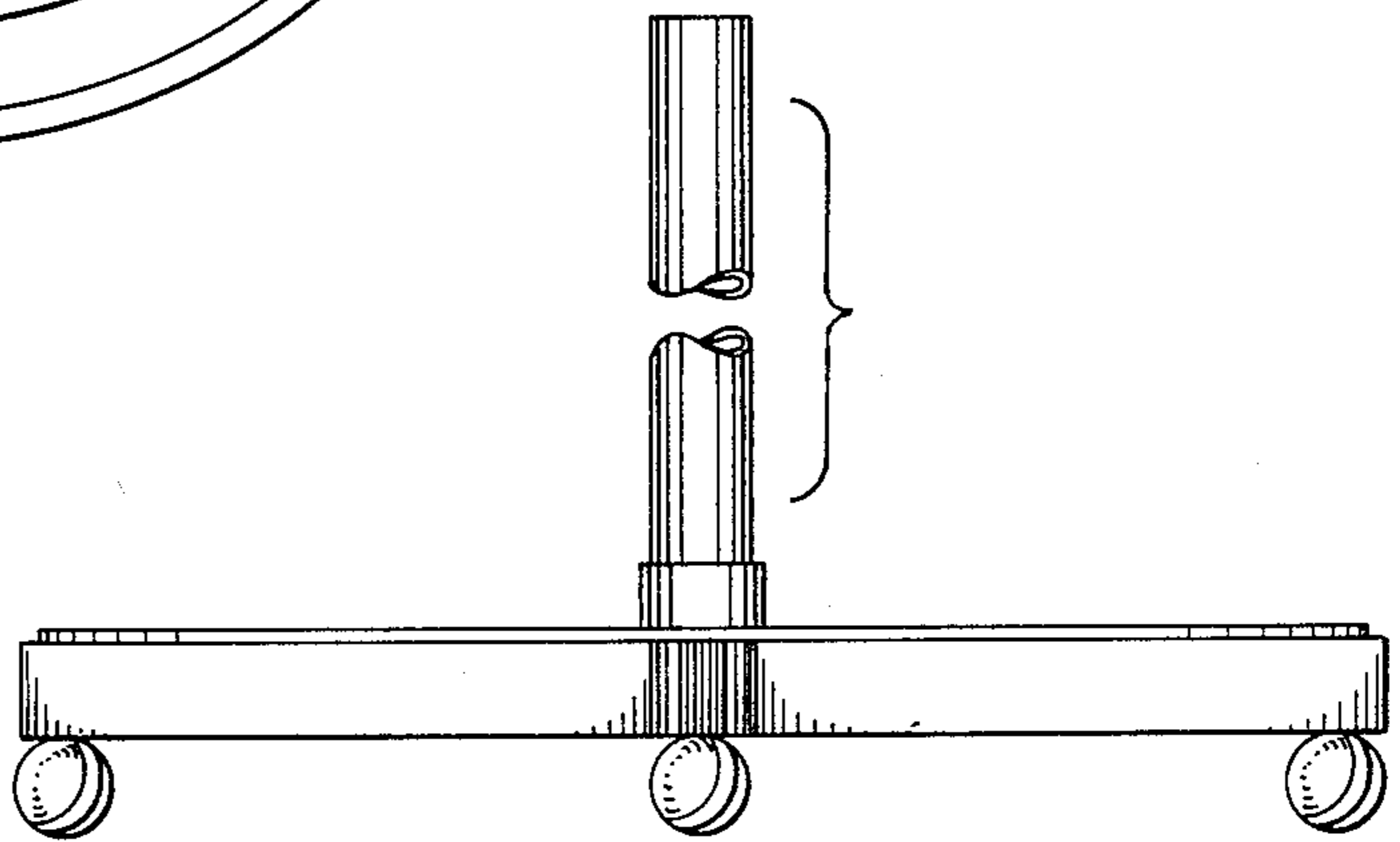


FIG. 3

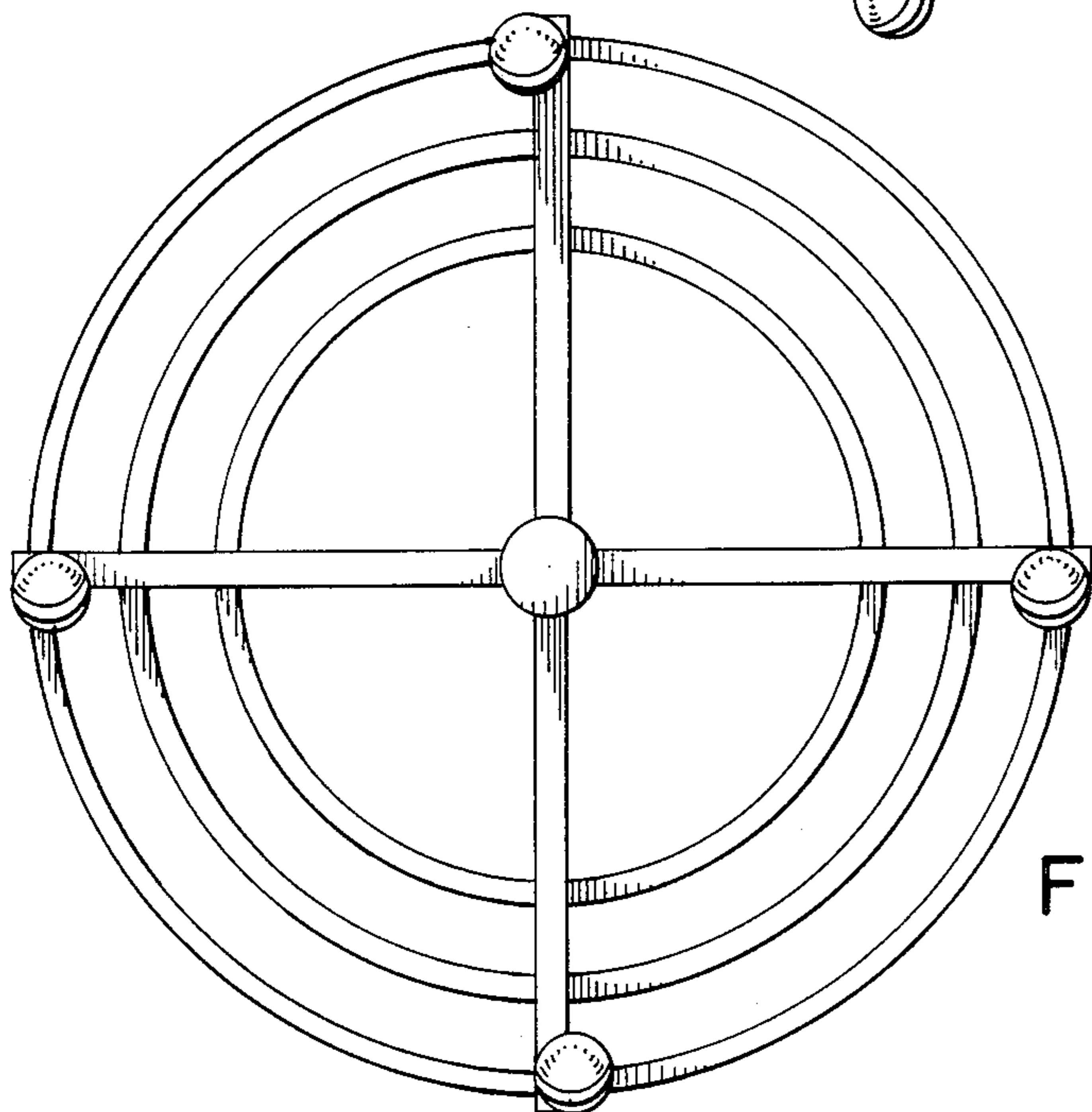


FIG. 4