

[54] WATER SPRAY ATTACHMENT FOR LOUNGE CHAIR

[76] Inventor: Robert C. Boyle, Jr., 466 Lancaster La., Pittsburg, Calif. 94565

[\*\*] Term: 14 Years

[21] Appl. No.: 842,019

[22] Filed: Mar. 6, 1986

[52] U.S. Cl. .... D6/491; D6/361

[58] Field of Search ..... D6/330, 334, 367, 361, D6/368; 297/440, 445

[56] References Cited

U.S. PATENT DOCUMENTS

- D. 104,734 6/1937 Wesley ..... D6/392
- D. 168,581 1/1953 McInerney et al. .... D6/392
- D. 268,153 3/1983 Arnold et al. .... D6/375 X
- D. 276,010 10/1984 Saltzman ..... D6/487
- D. 288,991 3/1987 Noga ..... D6/368 X

FOREIGN PATENT DOCUMENTS

453278 9/1936 United Kingdom ..... D6/392 X

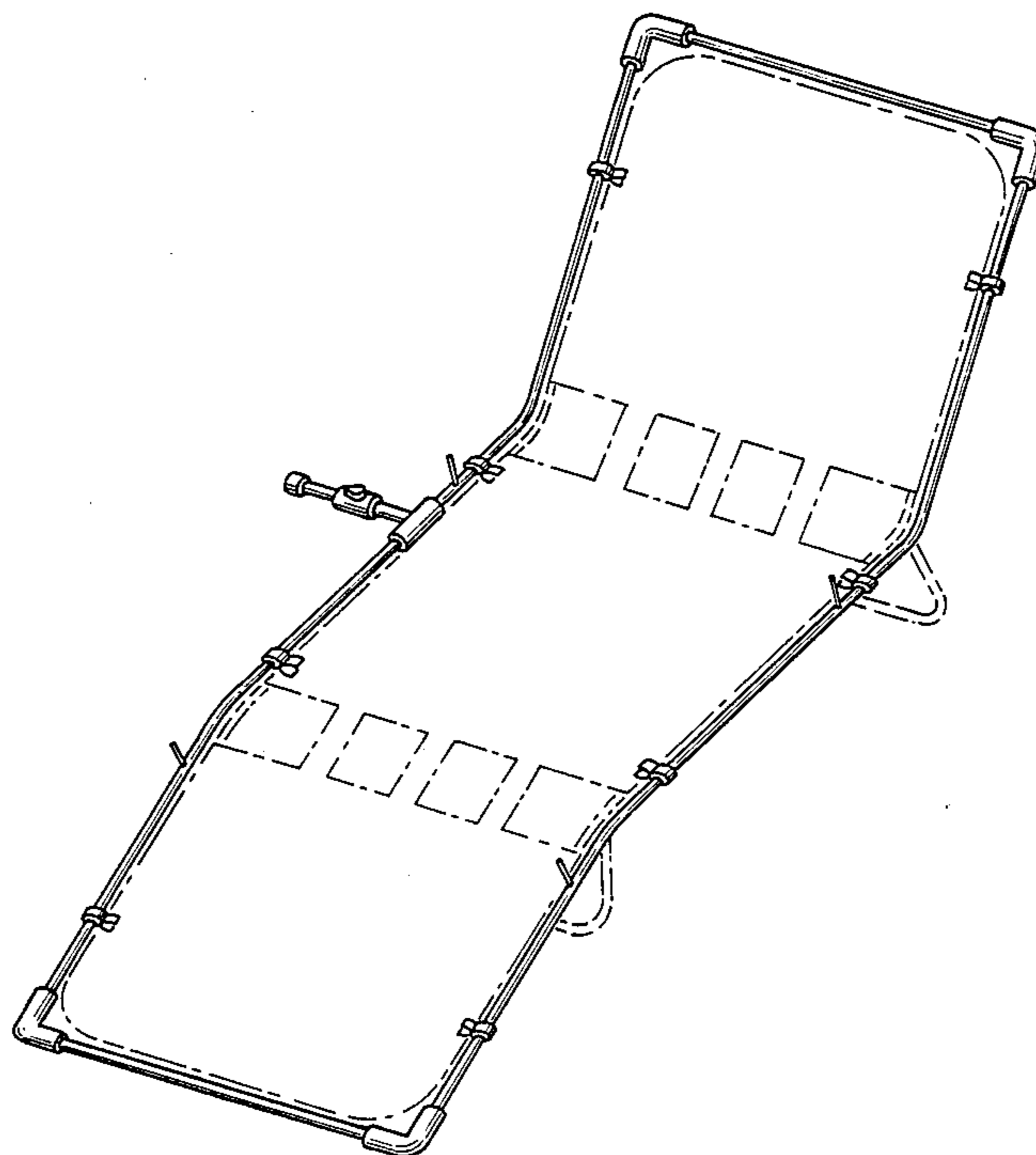
Primary Examiner—Bruce W. Dunkins  
Attorney, Agent, or Firm—Lothrop & West

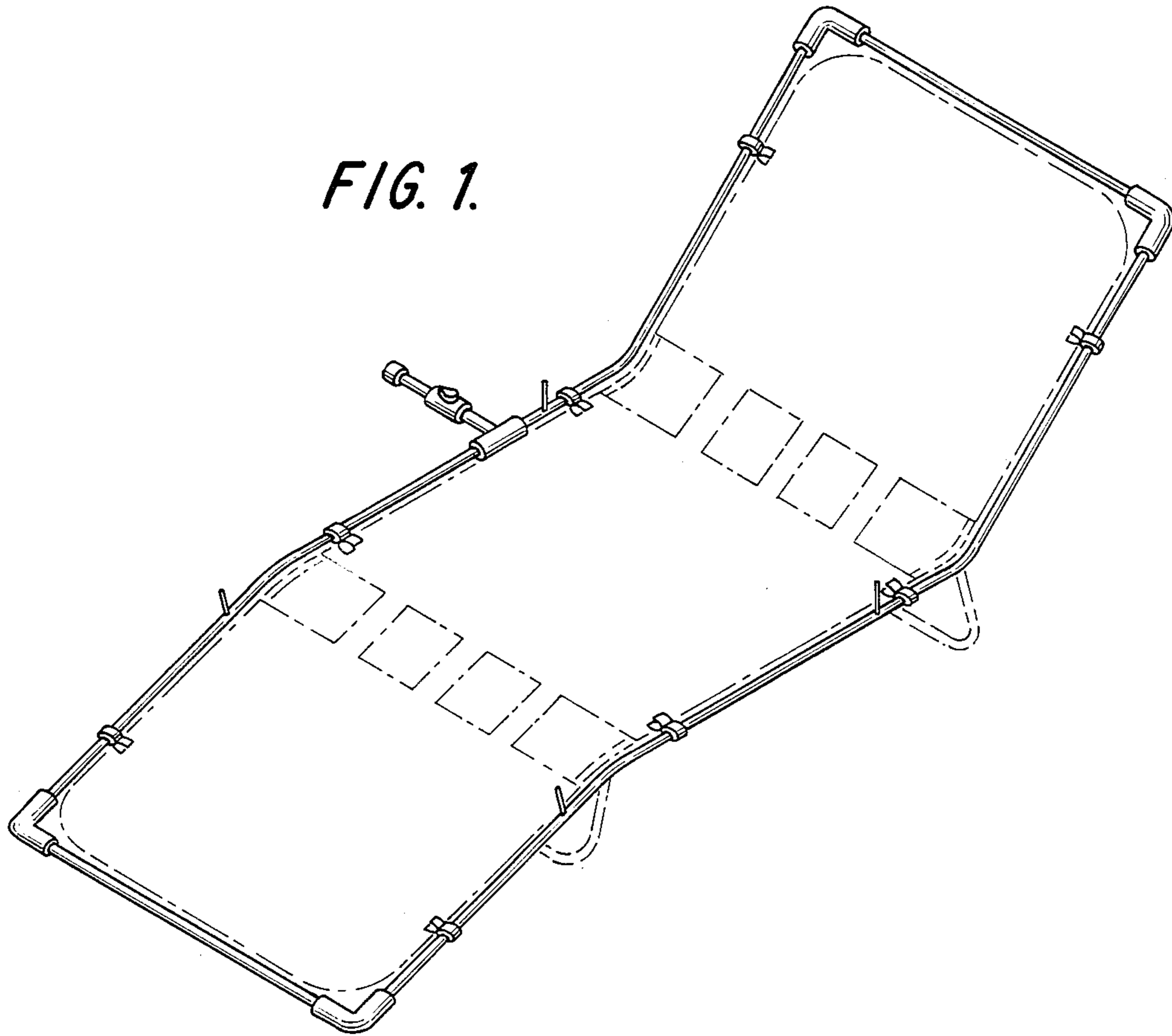
[57] CLAIM

The ornamental design for a water spray attachment for lounge chair, as shown and described.

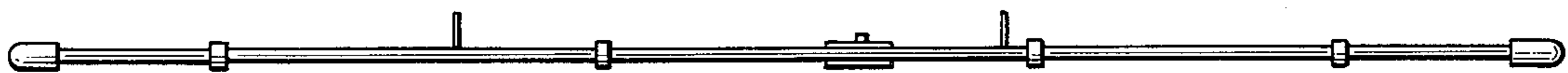
DESCRIPTION

FIG. 1 is a left front perspective view of a water spray attachment for lounge chair, showing my new design; FIG. 2 is an elevational view of one side; FIG. 3 is an elevational view of the other side; FIG. 4 is an end elevational view, the opposite end elevational view being substantially a mirror image thereof; FIG. 5 is a top plan view thereof; and, FIG. 6 is a bottom plan view thereof. The broken lines indicating a lounge chair in FIG. 1 have been shown for illustrative purposes only.





*FIG. 2.*



*FIG. 3.*



FIG. 4.

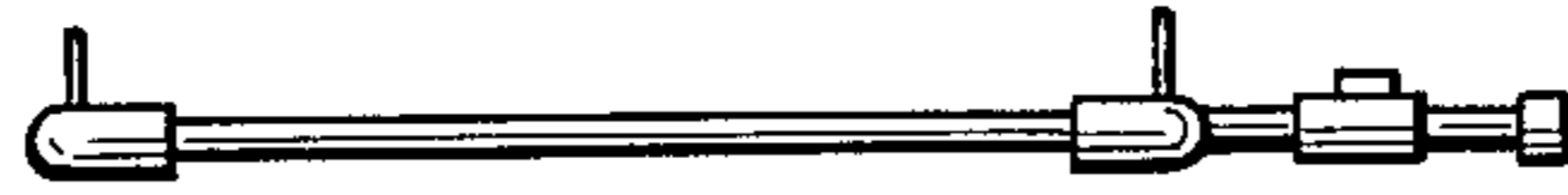


FIG. 5.

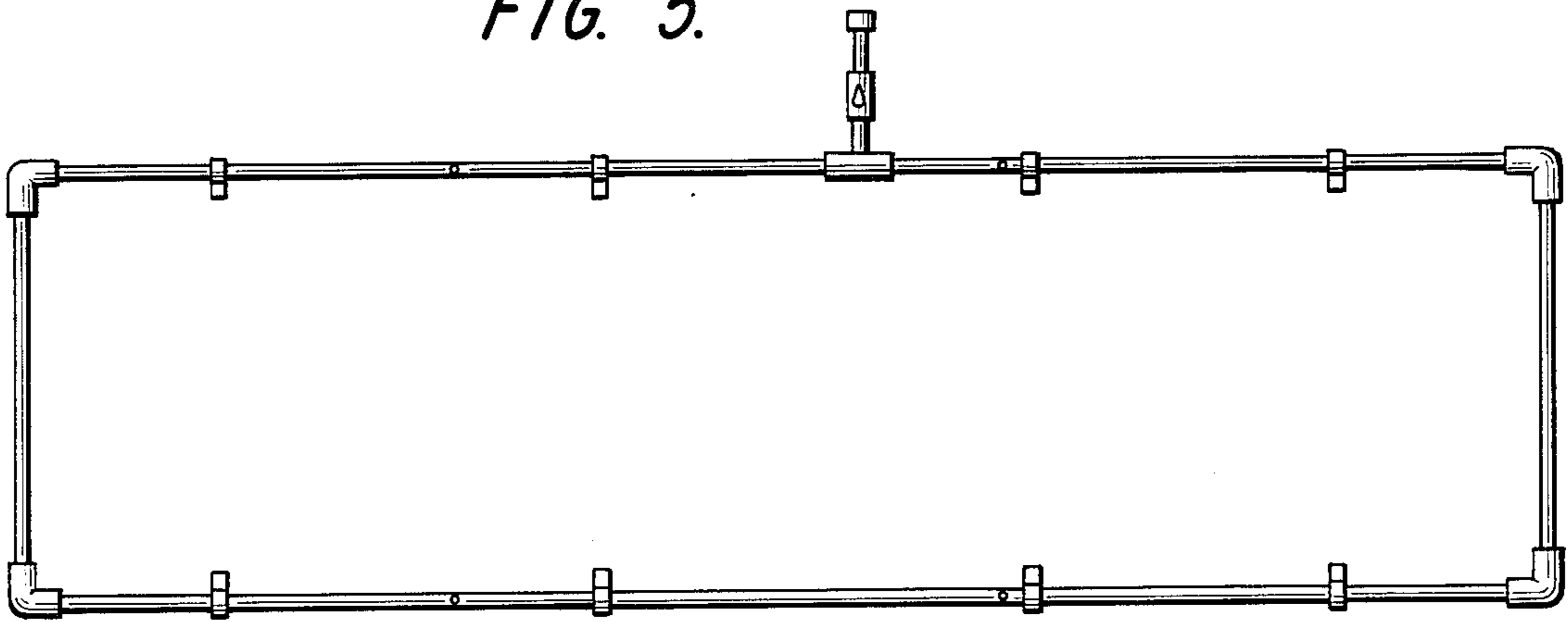


FIG. 6.

