

United States Patent [19]

DeLuca

[11] Patent Number: **Des. 297,989**

[45] Date of Patent: **** Oct. 11, 1988**

[54] TABLE

[75] Inventor: **Hector A. DeLuca**, Woodland Hills, Calif.

[73] Assignee: **Schnadig Corporation**, Chicago, Ill.

[*] Notice: The portion of the term of this patent subsequent to Mar. 12, 2001 has been disclaimed.

[**] Term: **14 Years**

[21] Appl. No.: **858,503**

[22] Filed: **May 1, 1986**

[52] U.S. Cl. **D6/480; D6/485; D6/488**

[58] Field of Search **D6/449, 455, 480, 481, D6/482, 484, 485, 486, 488**

[56] **References Cited**

U.S. PATENT DOCUMENTS

D. 225,935 1/1973 Kienel D6/486

D. 279,633 7/1985 Bromley D6/480
D. 288,642 3/1987 DeLuca D6/480
D. 290,669 7/1987 Lacoux D6/480 X

Primary Examiner—Bruce W. Dunkins

[57] **CLAIM**

The ornamental design for a table, substantially as shown and described.

DESCRIPTION

FIG. 1 is a perspective view of a table showing my new design;
FIG. 2 is an enlarged perspective view of the left side of the table as shown in FIG. 1, all sides being the same;
FIG. 3 is a side elevational view of the table, all sides being the same;
FIG. 4 is an enlarged perspective view of the central portion of the side of the table, as shown in FIG. 3, all central portions being the same;
FIG. 5 is a top plan view of a table showing my design on a reduced scale; and
FIG. 6 is a bottom plan view of a table showing my design on a reduced scale.

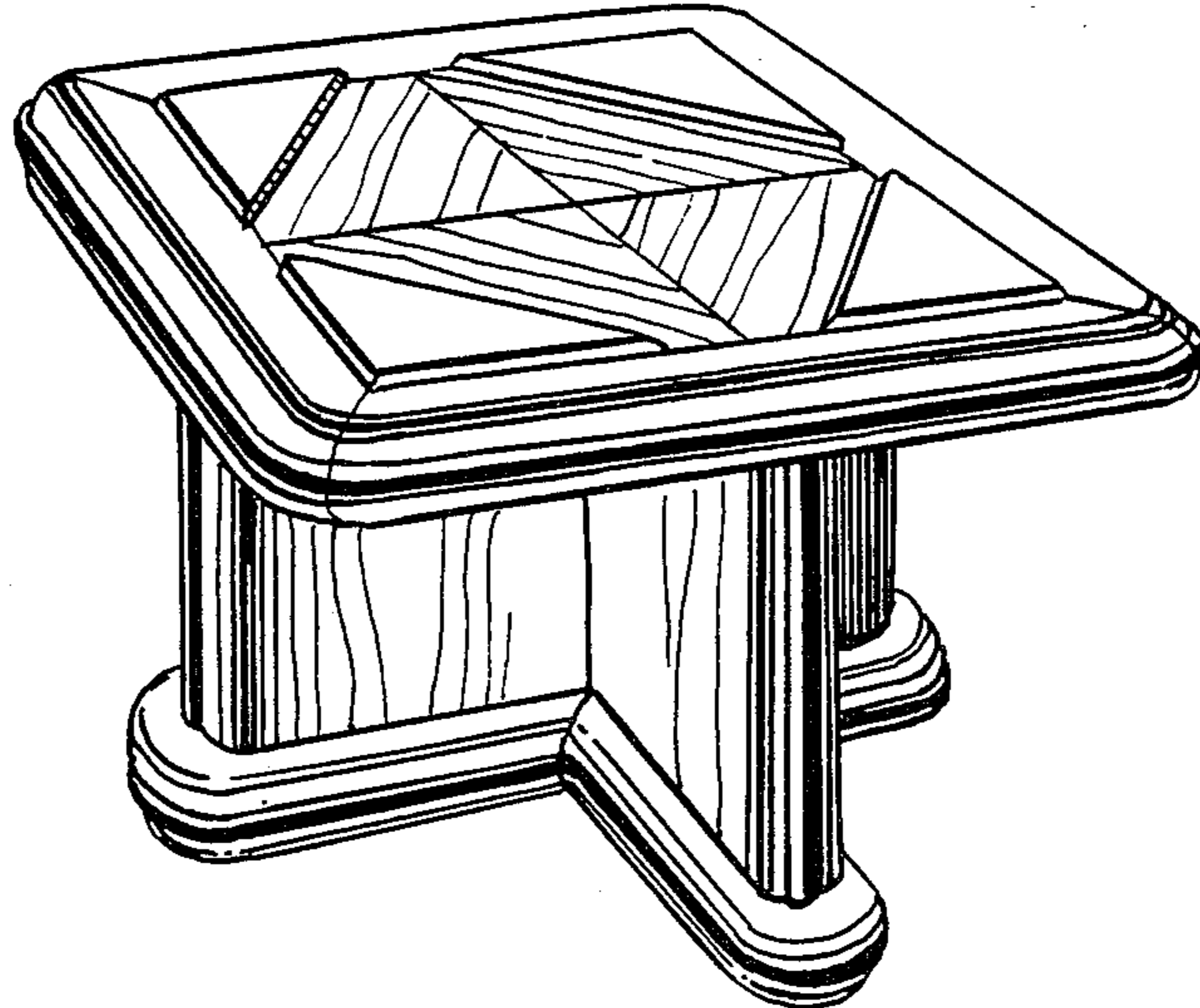


FIG. 1

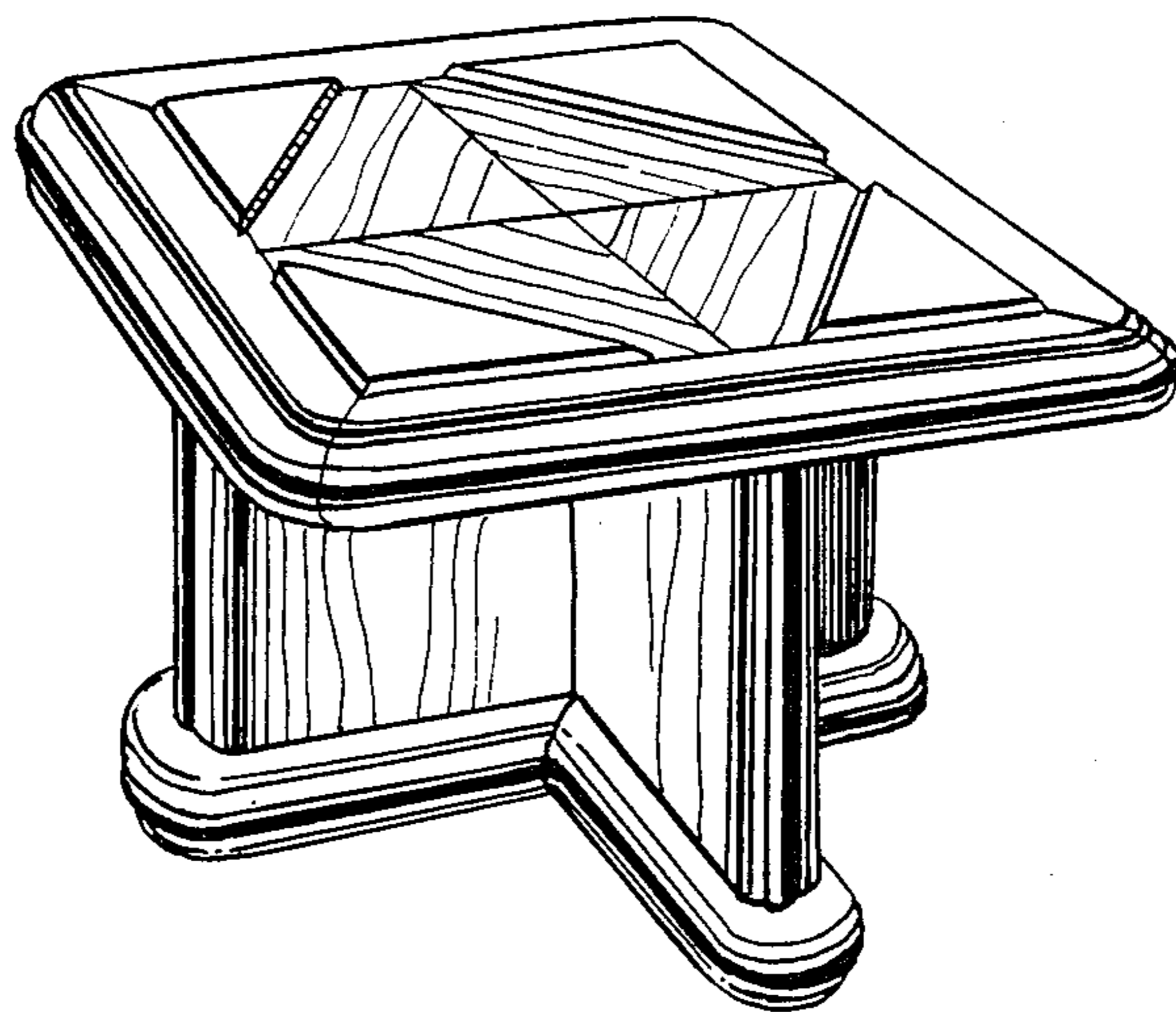


FIG. 2

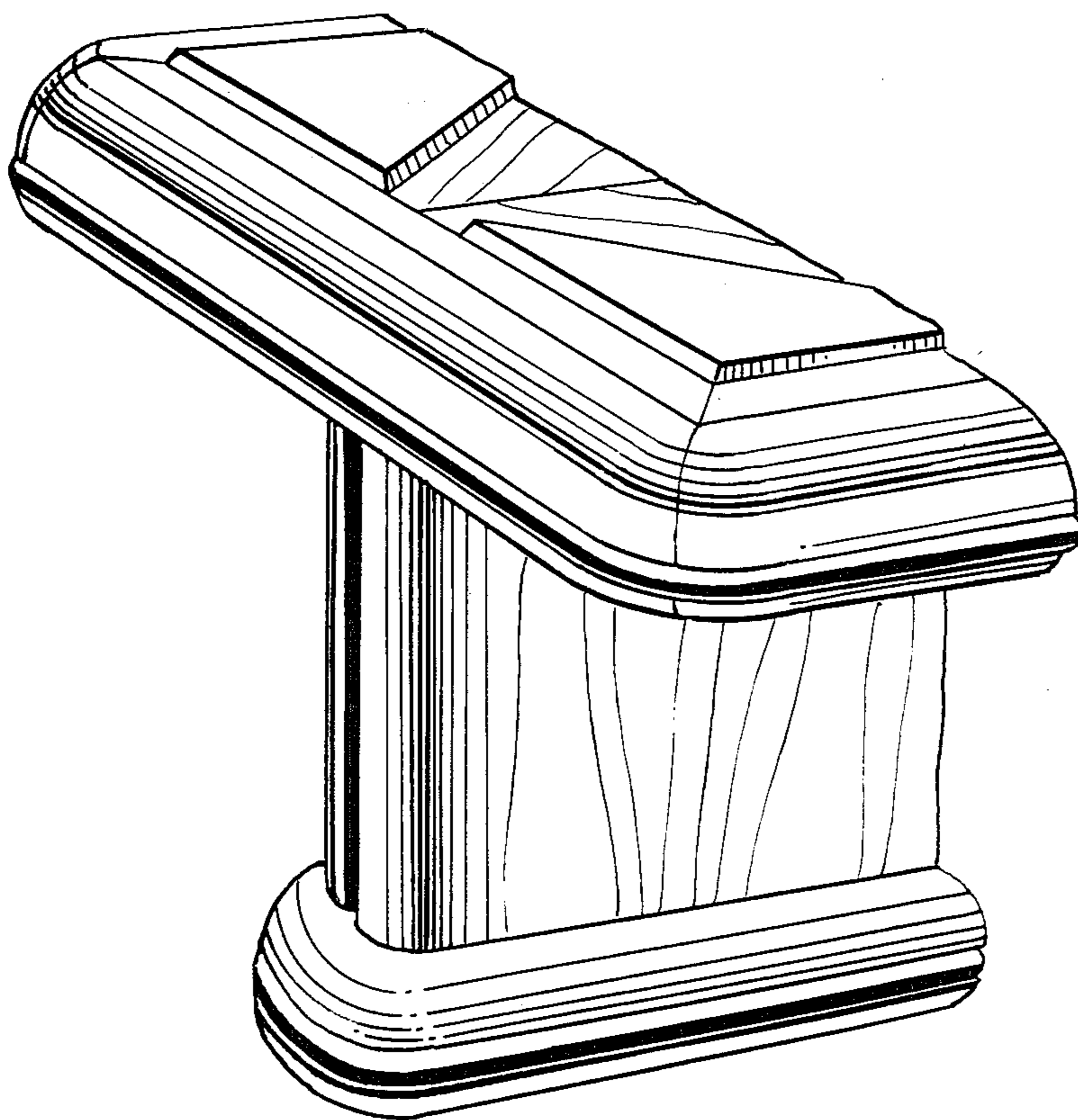


FIG. 3

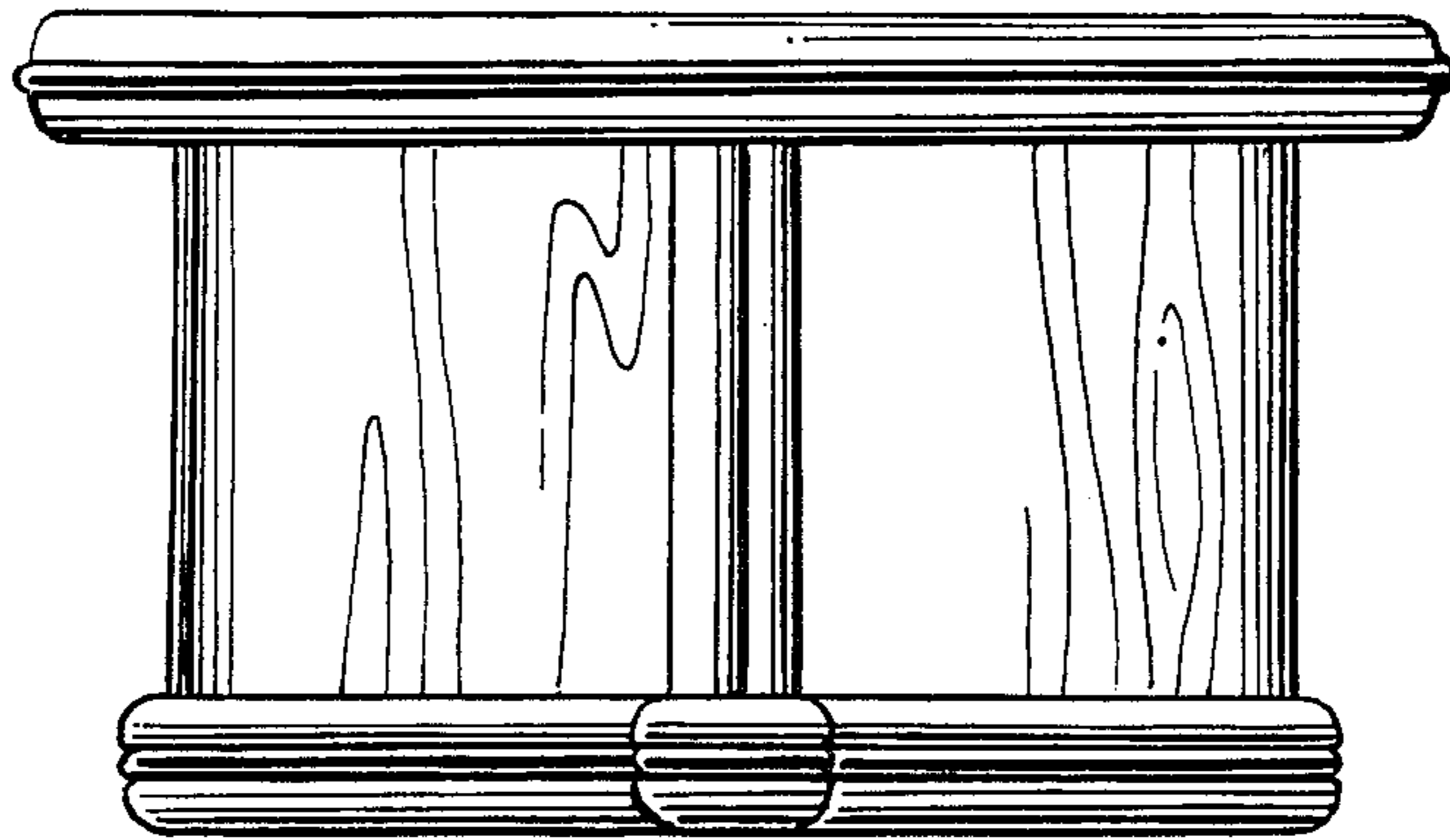


FIG. 4

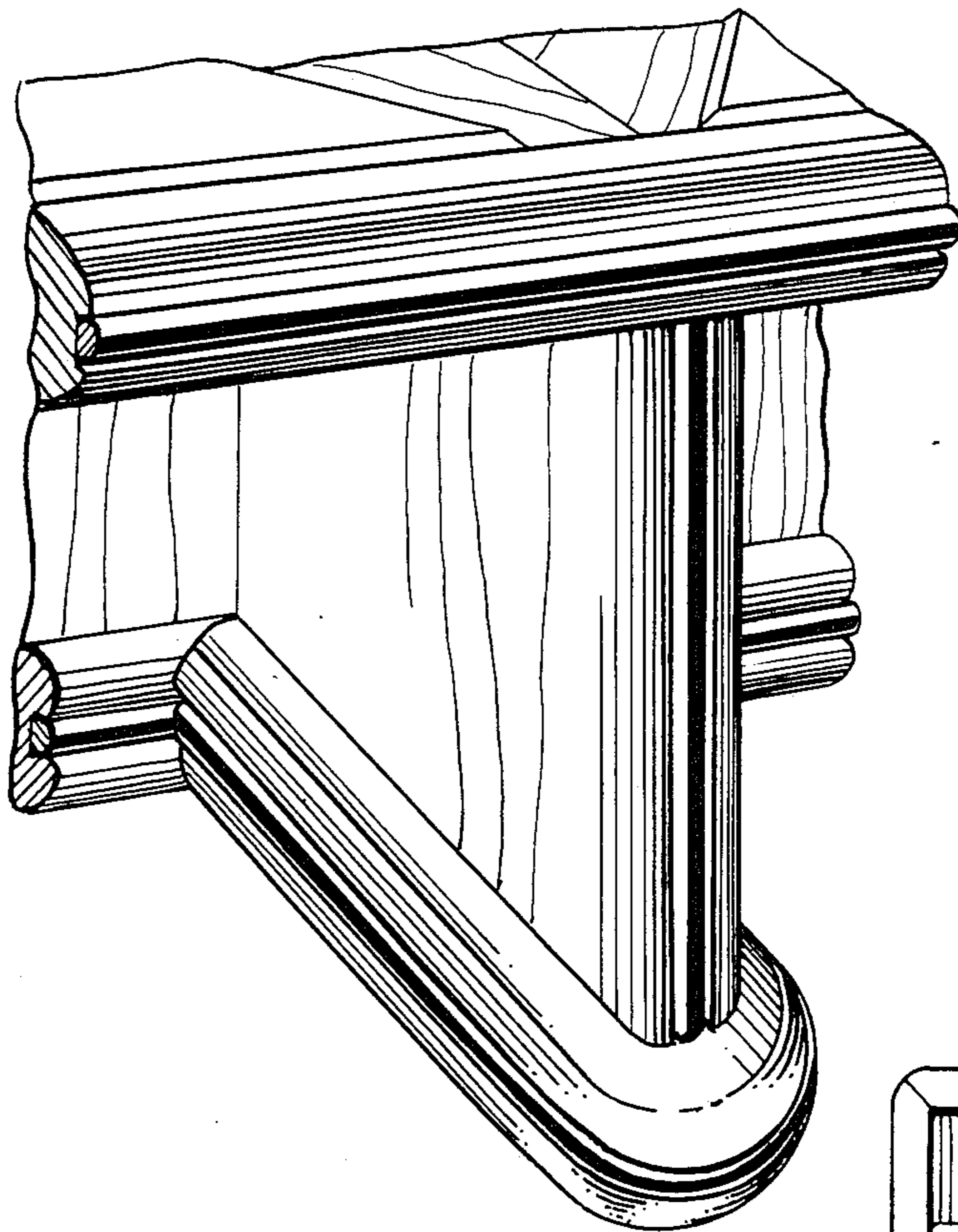


FIG. 5

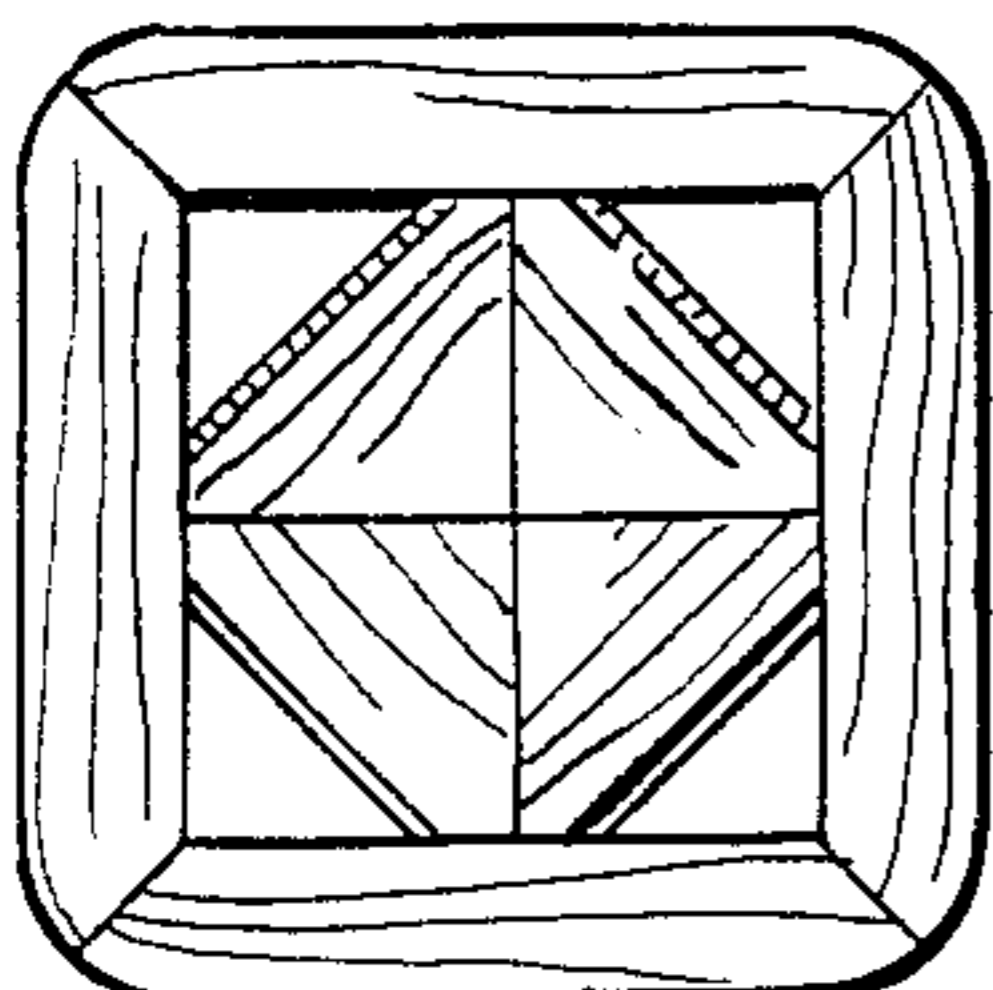


FIG. 6

