

[54] SHELF UNIT FOR SUPPORTING ELECTRICAL EQUIPMENT

[76] Inventors: John R. Maurer, 4261 Hambrick Way; William E. Turner, 4285 Hambrick Way, both of Stone Mountain, Ga. 30083

[\*\*] Term: 14 Years

[21] Appl. No.: 827,751

[22] Filed: Feb. 10, 1986

[52] U.S. Cl. .... D6/479

[58] Field of Search ..... D6/477, 462, 478, 479, D6/484, 487, 488; 211/13, 59.1, 194; 108/91, 92, 93

[56] References Cited

U.S. PATENT DOCUMENTS

D. 141,386	5/1945	Rosenfeld	.....	D6/479
D. 239,352	3/1976	Petrick	.....	D6/479
D. 240,377	7/1976	Goulder	.....	D6/479 X
D. 248,798	8/1978	Driscoll	.....	D6/484

3,154,028	10/1964	Hamilton	.....	D6/479 X
3,197,926	8/1965	Shumaker	.....	D6/477 X
3,834,324	9/1974	Lang	.....	108/91

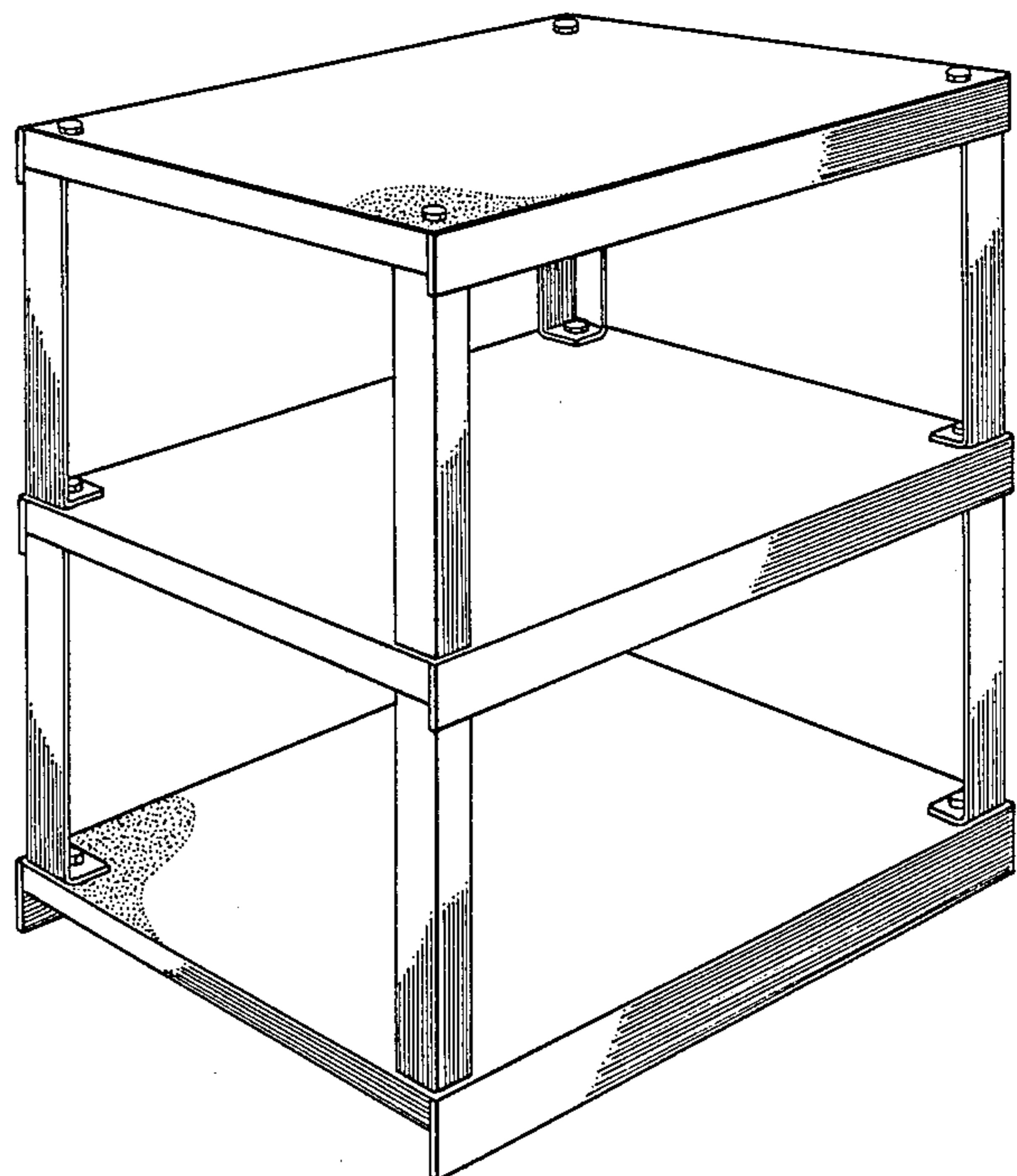
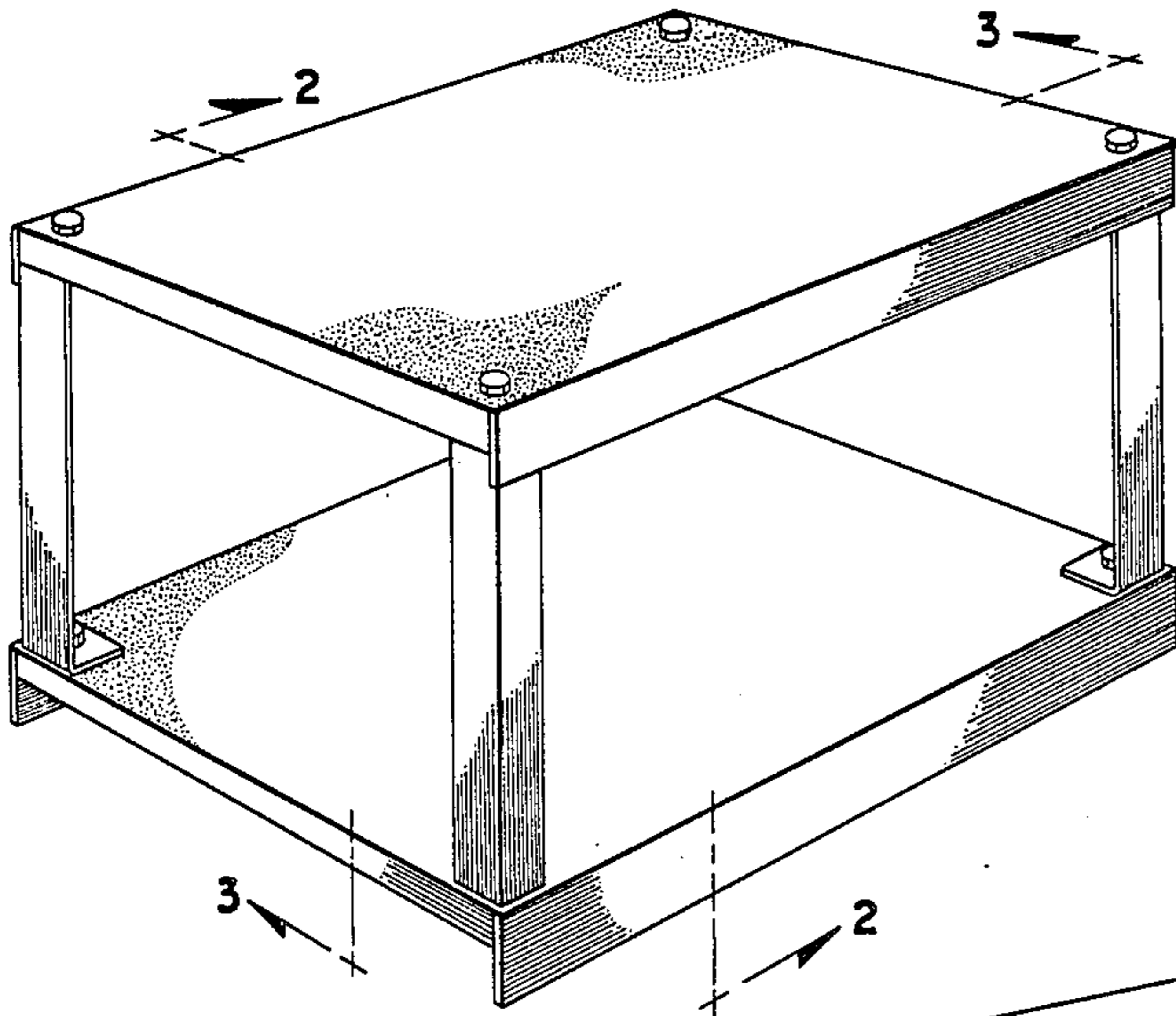
Primary Examiner—Carmen H. Vales  
Attorney, Agent, or Firm—James B. Middleton

[57] CLAIM

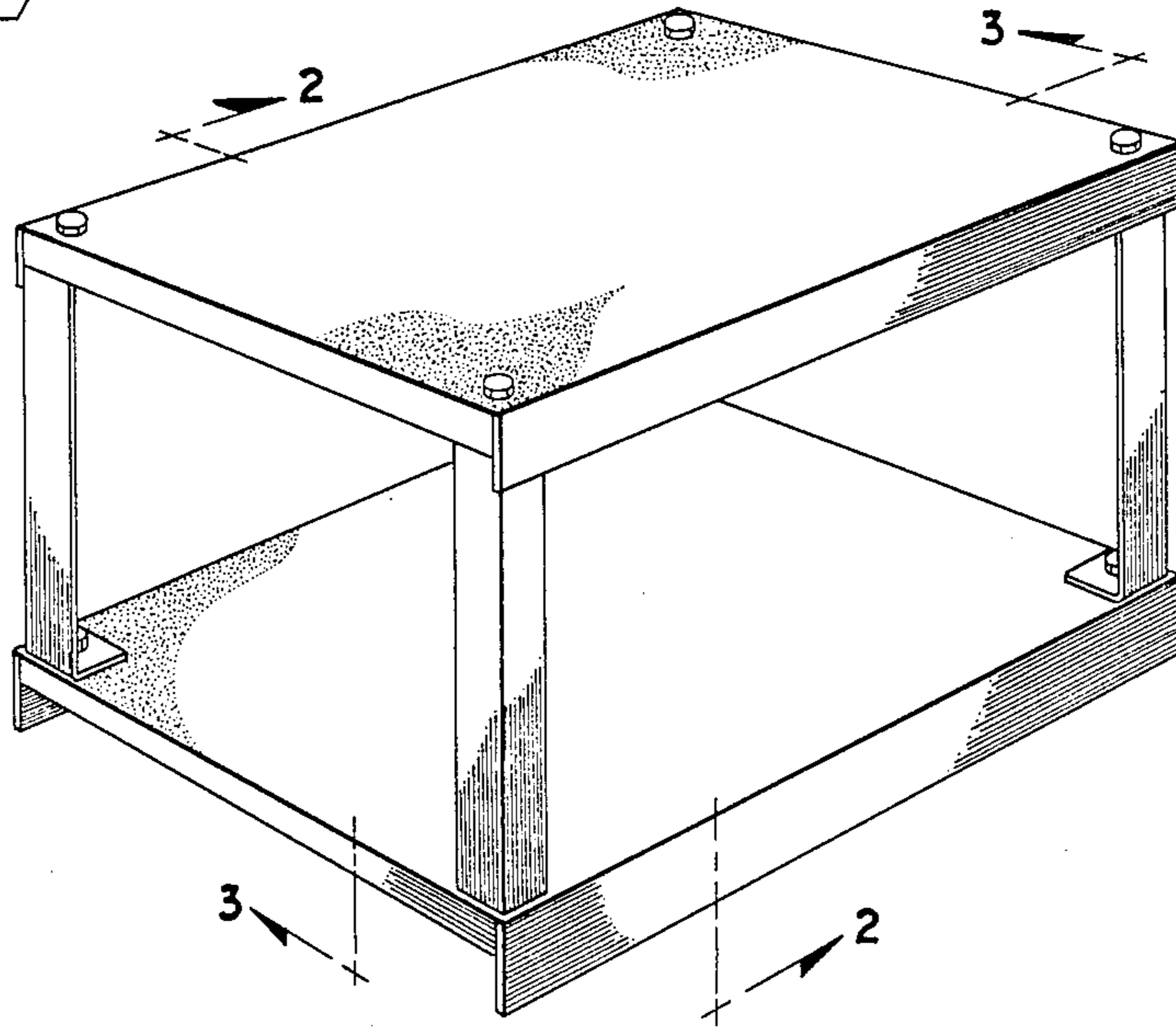
The ornamental design for a shelf unit for supporting electrical equipment, as shown and described.

DESCRIPTION

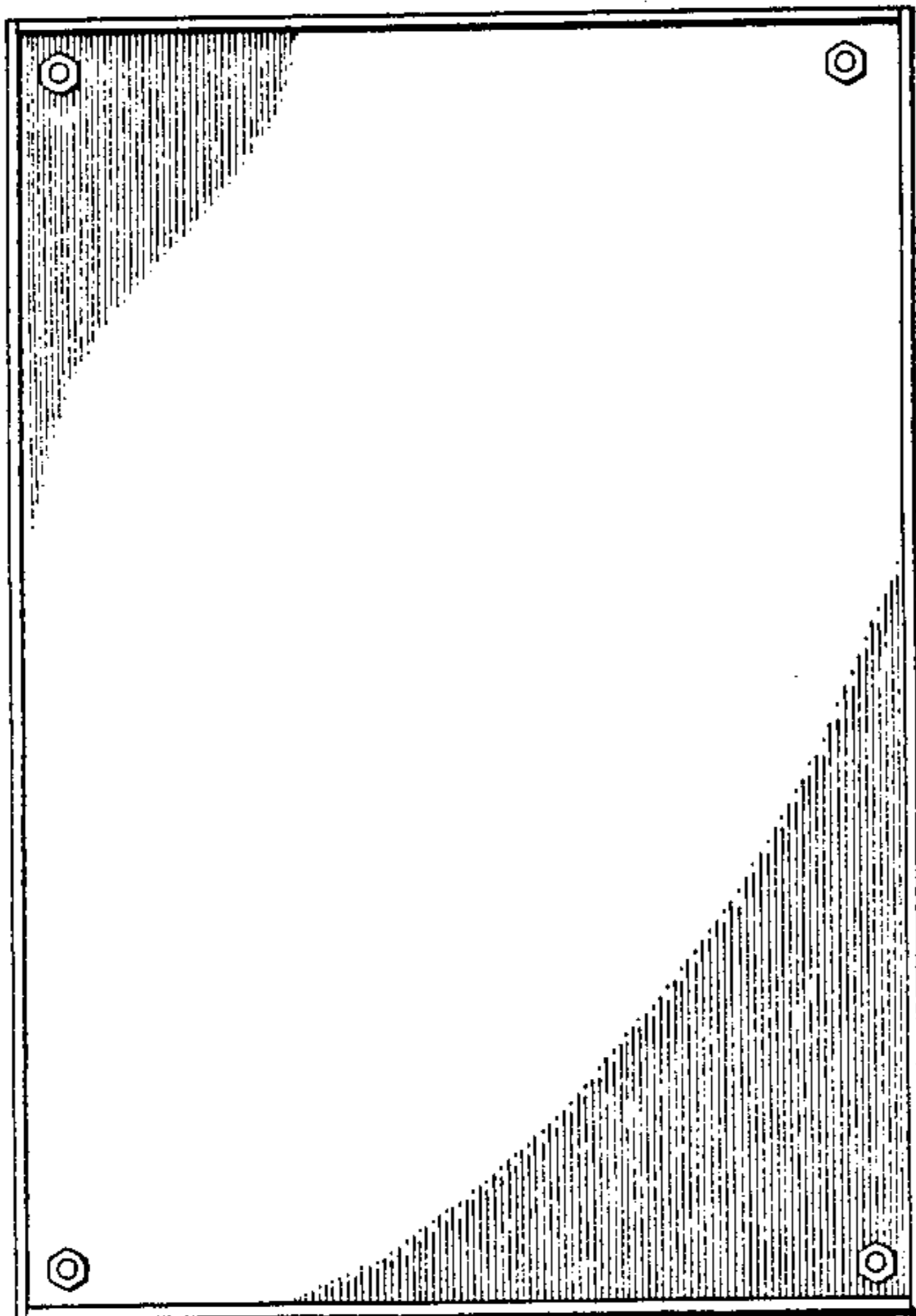
FIG. 1 is a perspective view of a shelf unit for supporting electrical equipment showing our new design, the opposite side being identical thereto;  
FIG. 2 is a cross-sectional view taken along line 2—2 of FIG. 1;  
FIG. 3 is a cross-sectional view taken along line 3—3 of FIG. 1;  
FIG. 4 is a bottom plan view thereof; and,  
FIG. 5 is a perspective view of a modified form of the shelf unit shown in FIGS. 1-4, the opposite side being identical thereto.



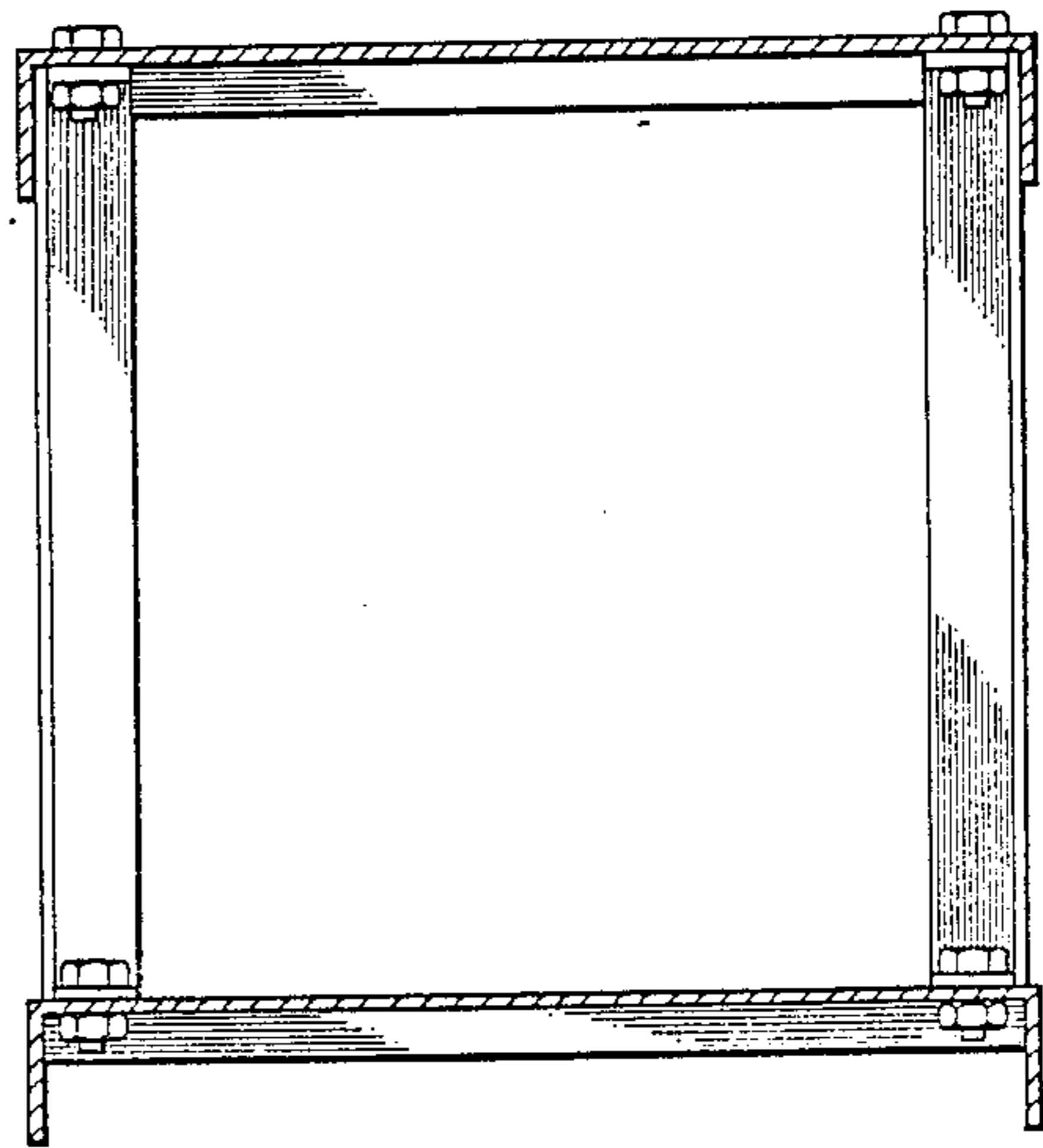
**Fig. 1**



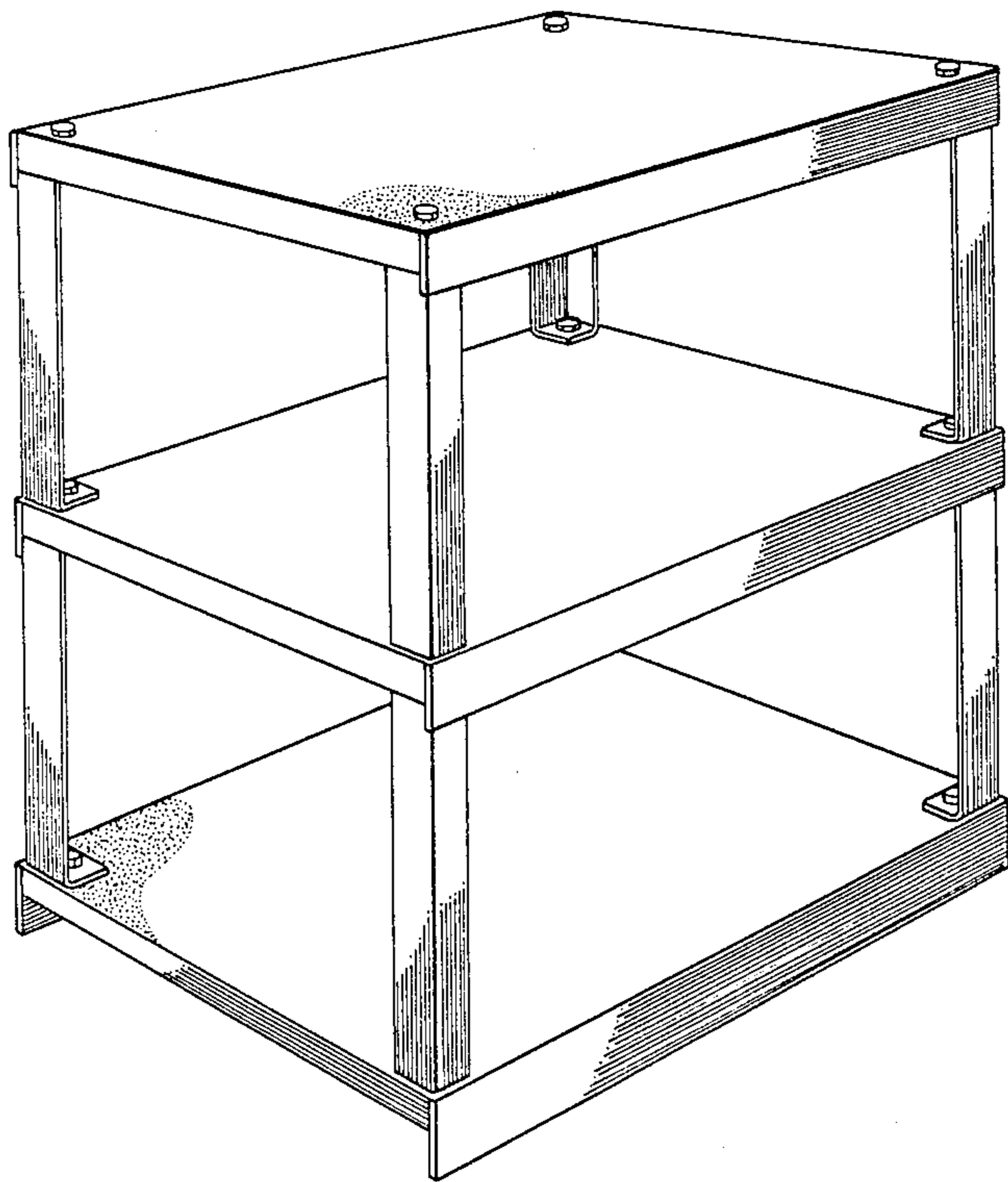
**Fig. 4**



**Fig. 2**



**Fig. 5**



**Fig. 3**

