

[54] COMPUTER WORKSTATION

[76] Inventor: John D. Borsos, 23F
Parkview-Madison, Laurence
Harbor, N.J. 08879

[**] Term: 14 Years

[21] Appl. No.: 847,545

[22] Filed: Mar. 31, 1986

[52] U.S. Cl. D6/420; D6/421

[58] Field of Search D6/419, 420, 422-428,
D6/474, 477; 312/194-196; 108/92, 93, 111, 1,
5, 6

[56] References Cited

U.S. PATENT DOCUMENTS

- D. 118,484 1/1940 Salomon D6/420
- D. 243,300 2/1977 Christensen D6/421
- D. 255,408 6/1980 Whalen D6/421

- D. 274,586 7/1984 Cope et al. D6/474 X
- D, 289,114 4/1987 Dickson D6/421
- 2,704,235 3/1955 Bion 108/6
- 4,668,026 5/1987 Lapeyre et al. D6/421 X

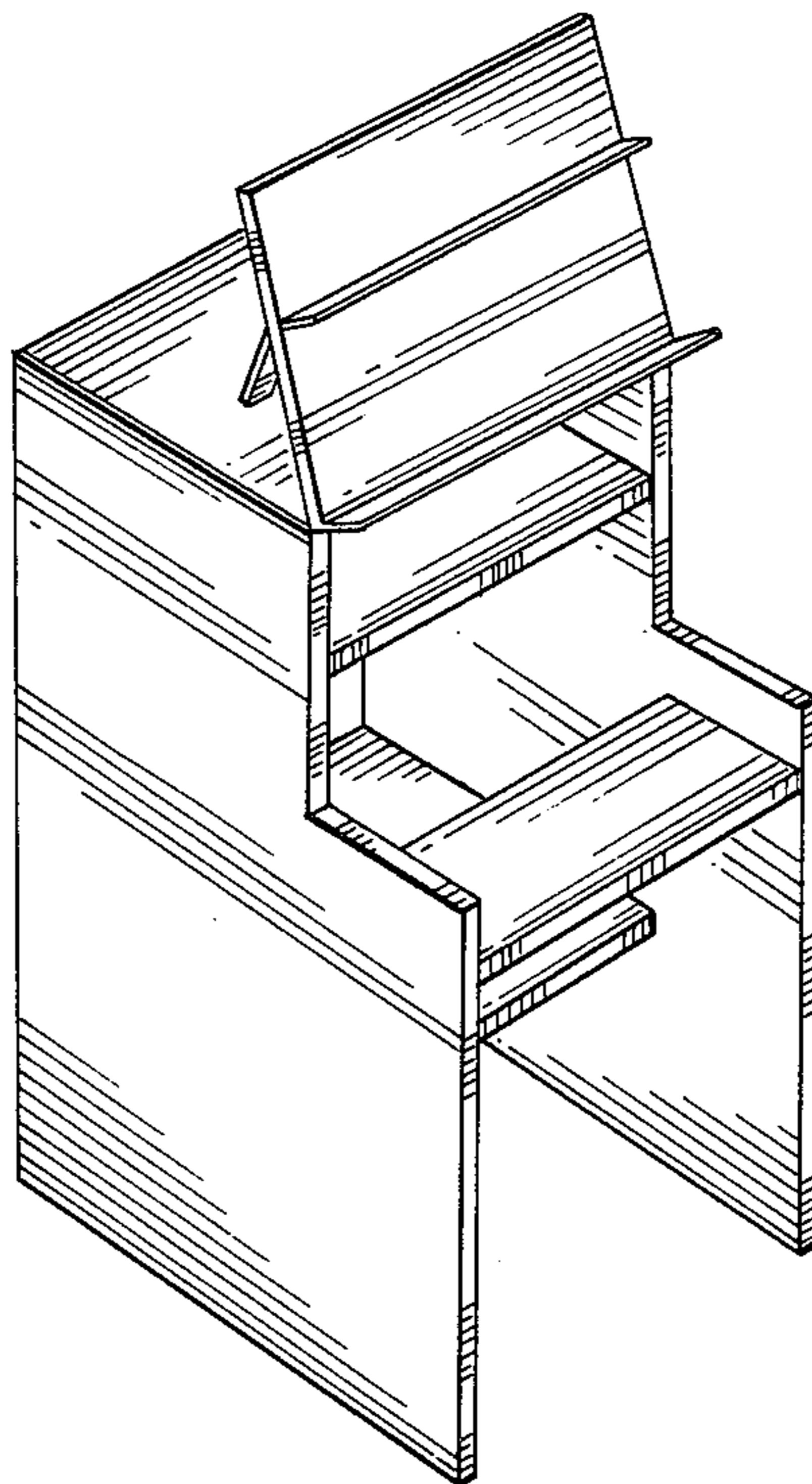
Primary Examiner—Carmen H. Vales
Attorney, Agent, or Firm—Ezra Sutton

[57] CLAIM

The ornamental design for a computer workstation, as shown and described.

DESCRIPTION

FIG. 1 is a perspective view of a computer workstation showing my new design;
 FIG. 2 is a front elevational view thereof;
 FIG. 3 is a rear elevational view thereof;
 FIG. 4 is a right side elevational view, the left side being a mirror image thereof;
 FIG. 5 is a top plan view thereof; and
 FIG. 6 is a bottom plan view thereof.



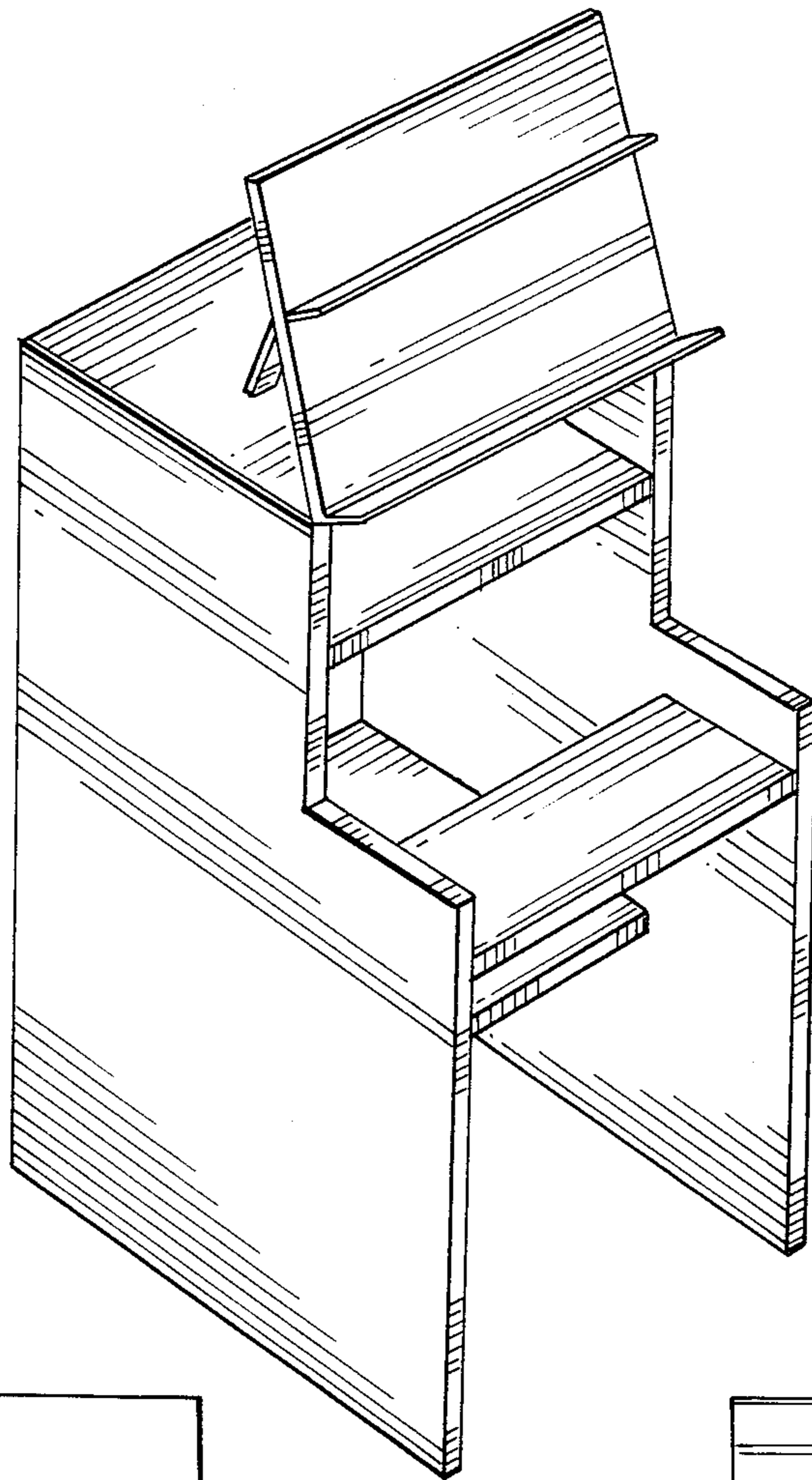


FIG. 1

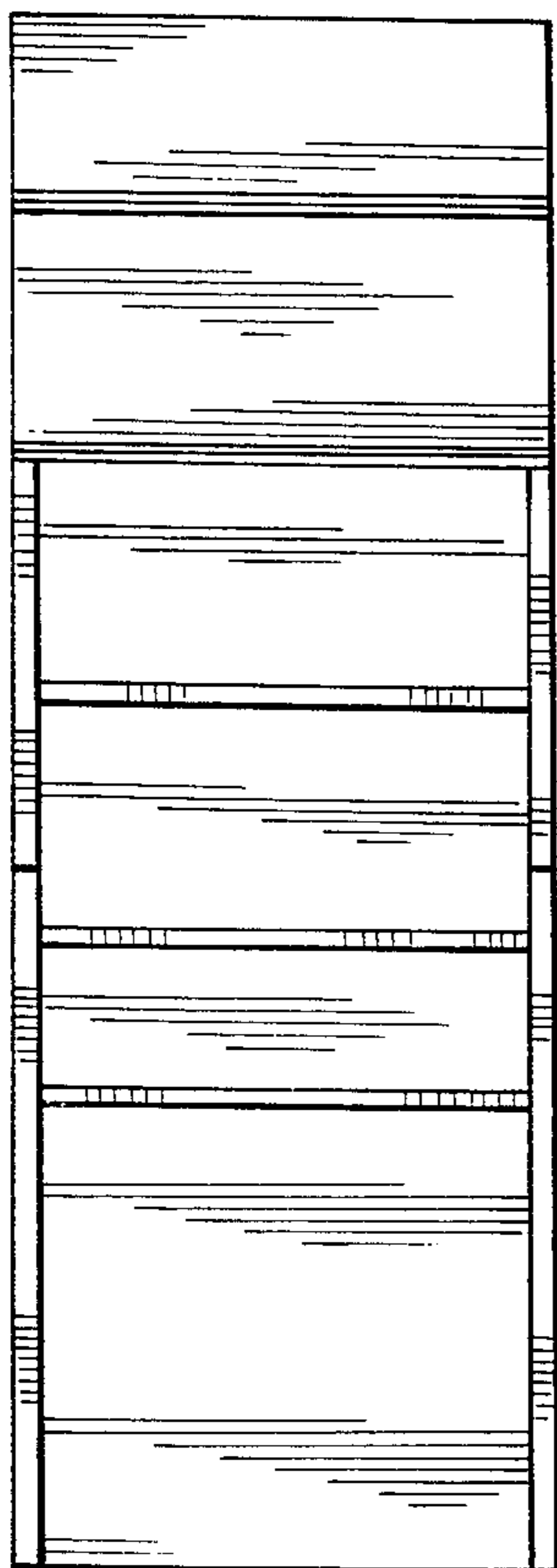


FIG. 2

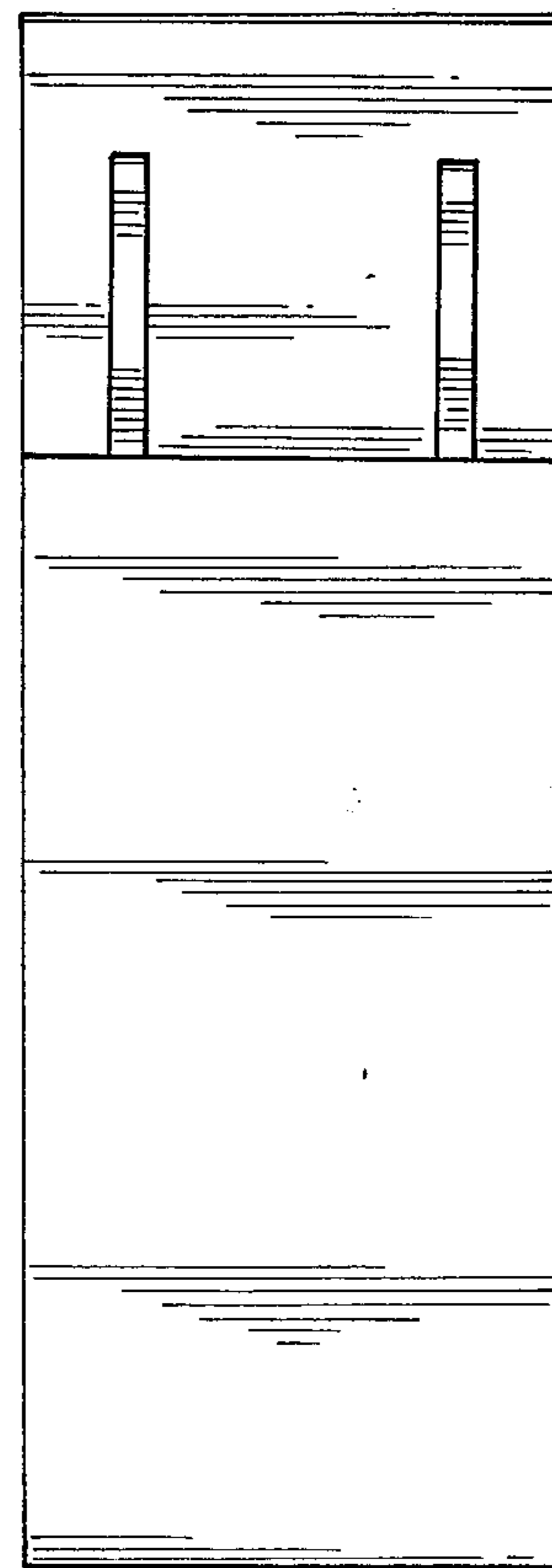


FIG. 3

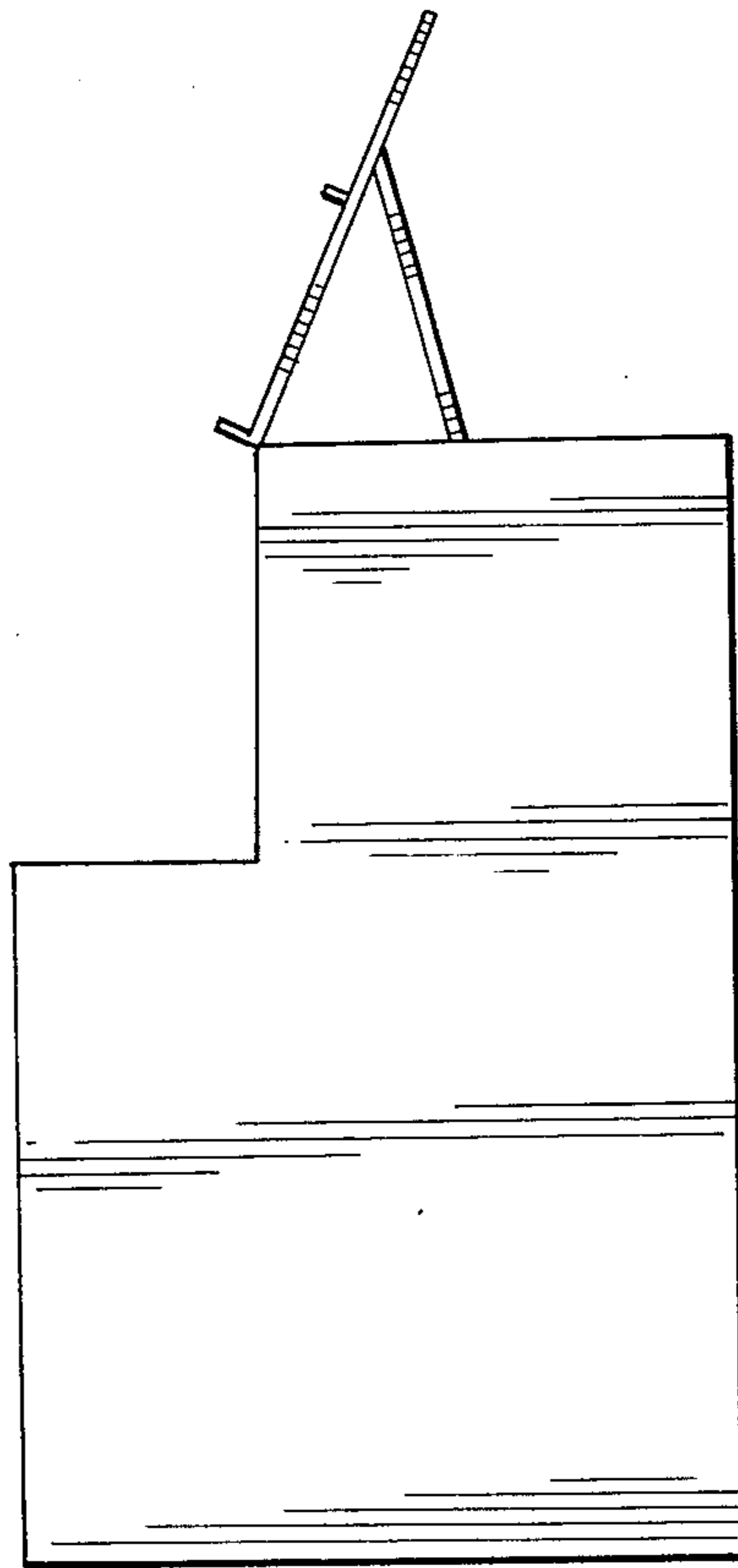


FIG. 4

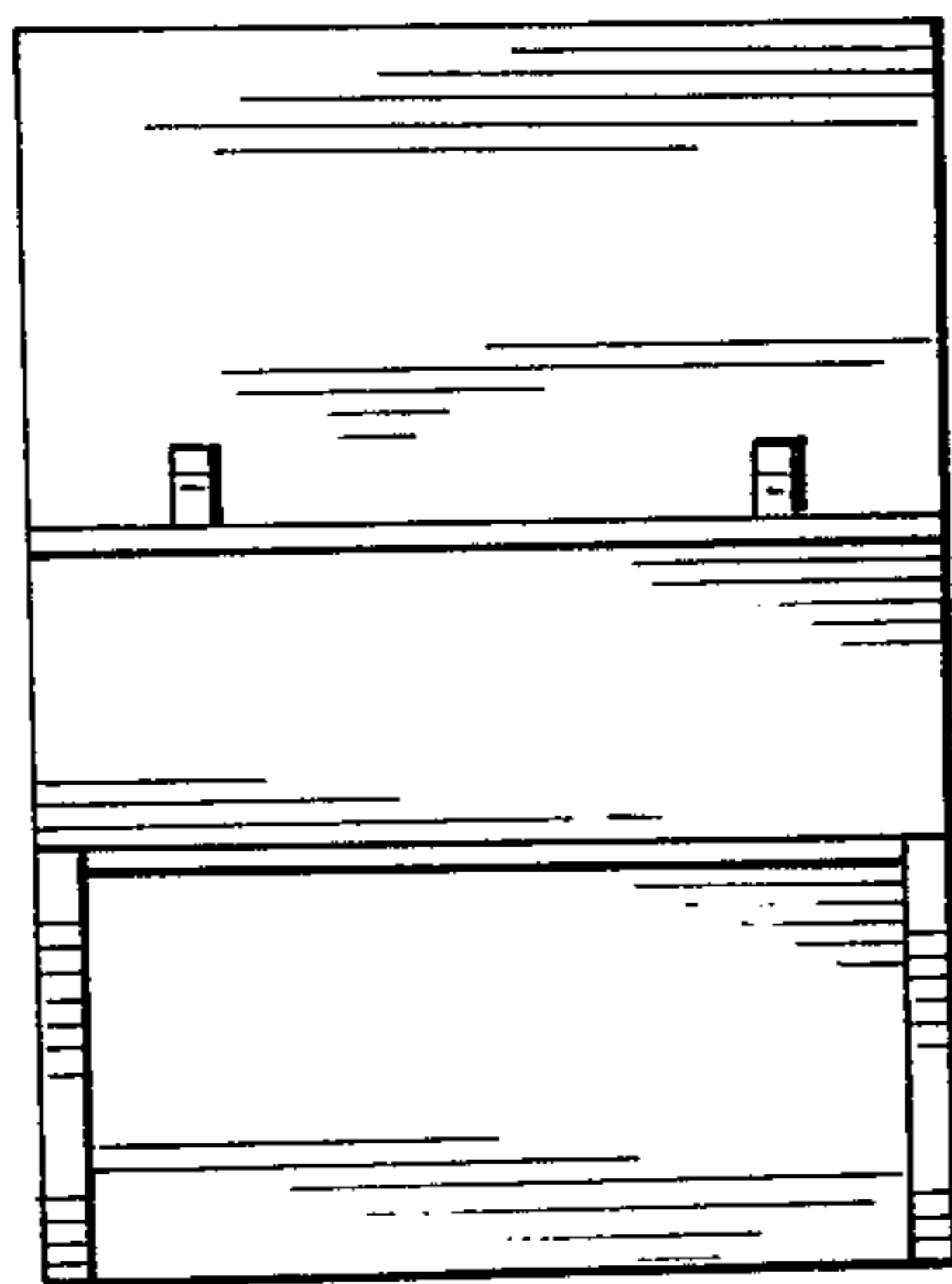


FIG. 5

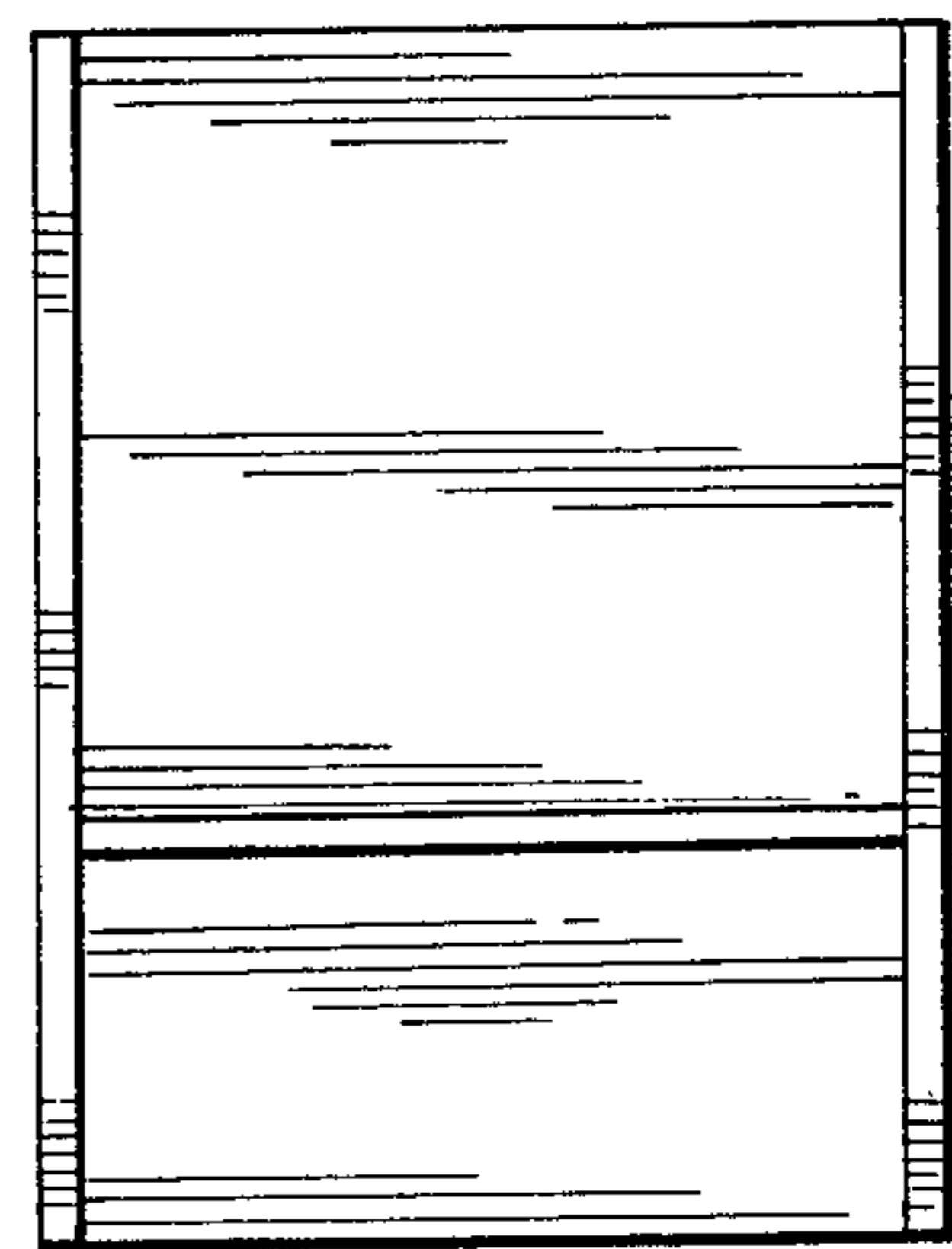


FIG. 6