

[54] CEILING FAN

[75] Inventor: Robert Sonneman, New York, N.Y.

[73] Assignee: Sonneman Design Group, Inc., Long Island, N.Y.

[**] Term: 14 Years

[21] Appl. No.: 87,451

[22] Filed: Aug. 20, 1987

[52] U.S. Cl. D23/377; D23/379; D23/385

[58] Field of Search D23/370, 377, 379, 385; D26/51, 59; 416/5; 362/147, 294, 404

[56] References Cited

U.S. PATENT DOCUMENTS

- D. 284,304 6/1986 Harber D23/377
- D. 290,748 7/1987 Kawai D23/377

D. 292,313 10/1987 Kawai D23/377

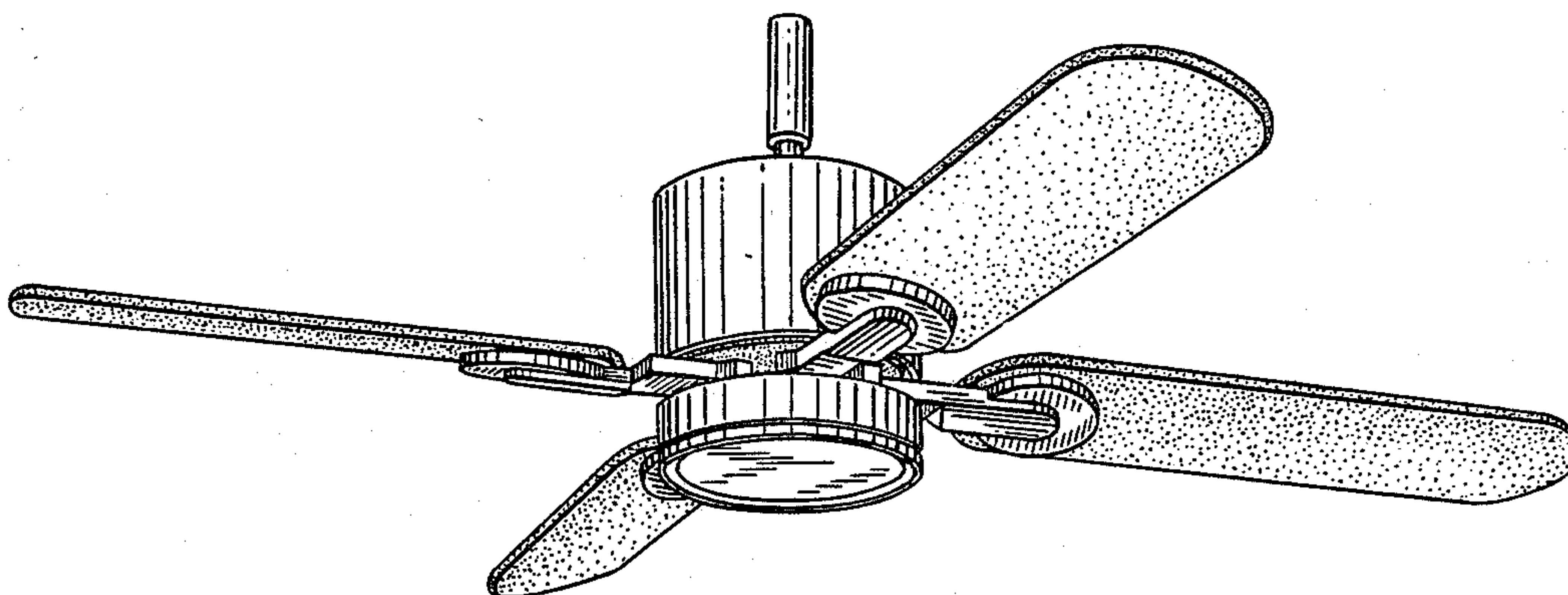
Primary Examiner—Wallace R. Burke
Assistant Examiner—Brian N. Vinson
Attorney, Agent, or Firm—Robin, Blecker & Daley

[57] CLAIM

The ornamental design for a ceiling fan, as shown and described.

DESCRIPTION

FIG. 1 is a bottom perspective view of a ceiling fan showing my new design;
FIG. 2 is a fragmentary top plan view thereof;
FIG. 3 is a fragmentary side elevational view thereof, the sides opposite and adjacent being substantially similar in appearance; and
FIG. 4 is a fragmentary bottom plan view thereof. The blade portions in FIGS. 2-4 have been shown broken-away for convenience of illustration.



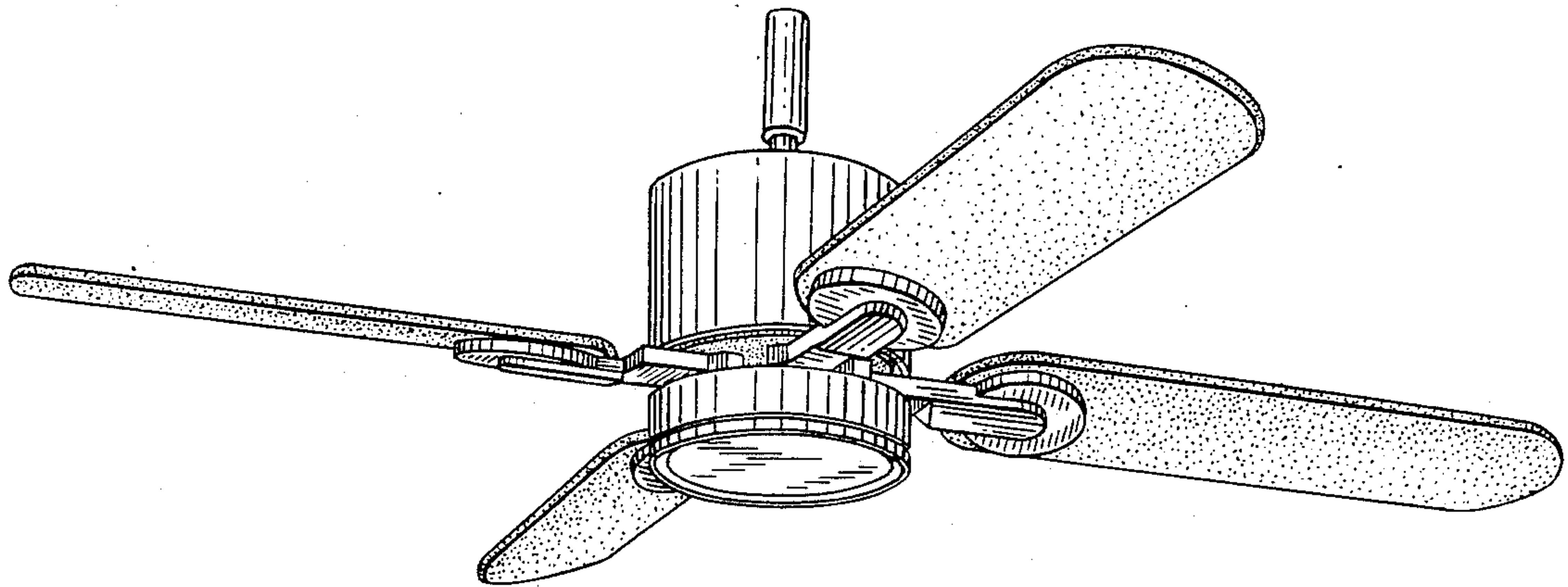


FIG. 1

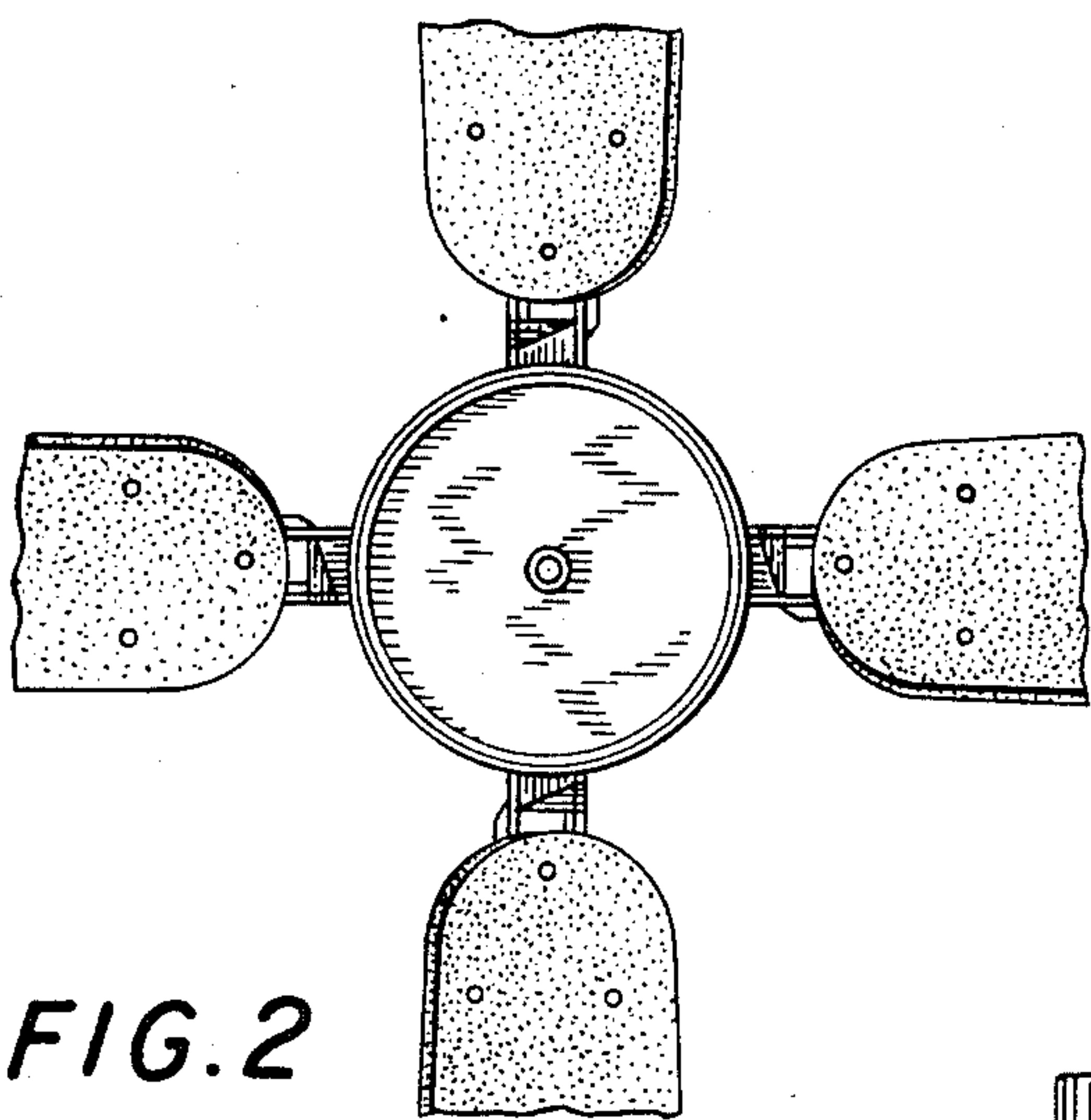


FIG. 2

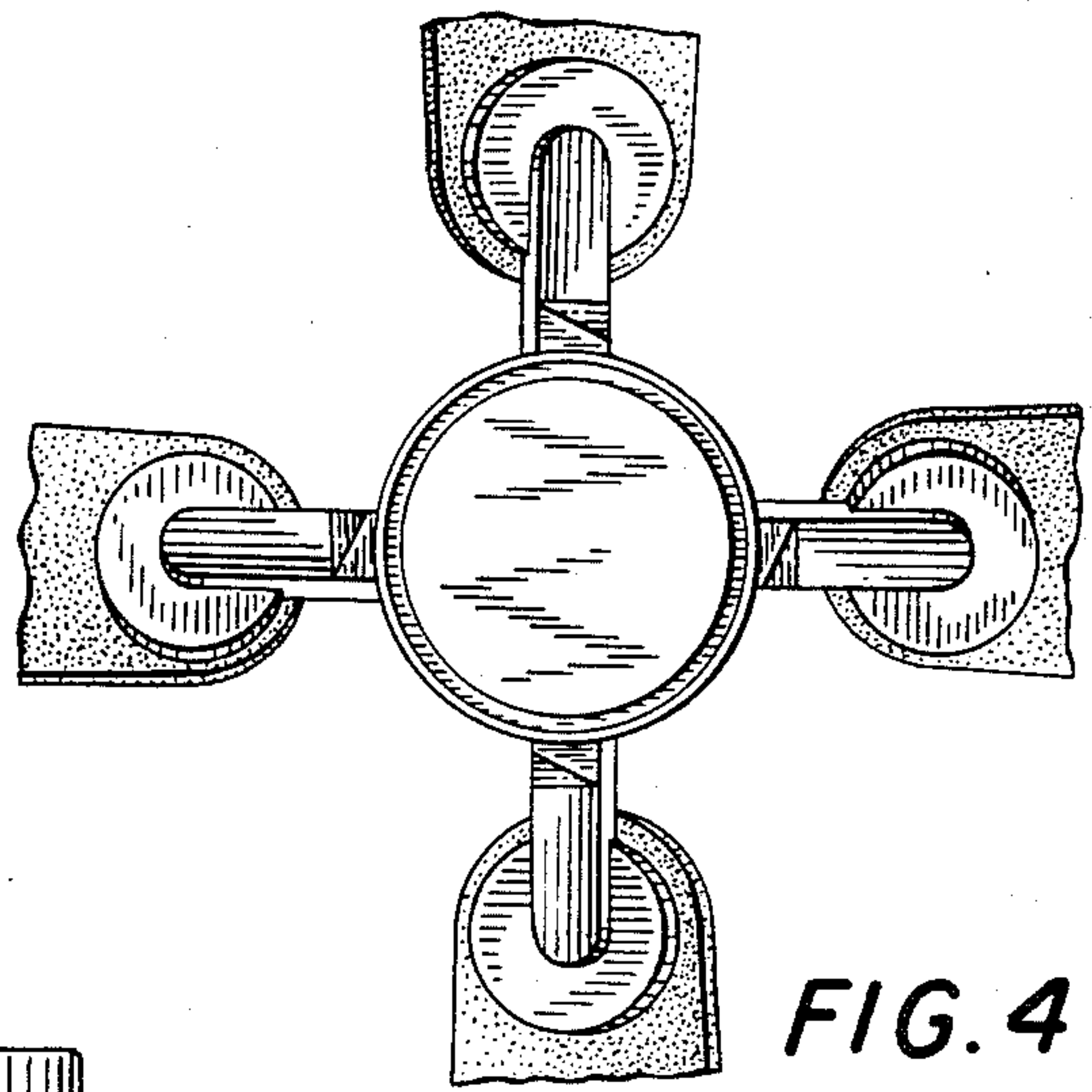


FIG. 4

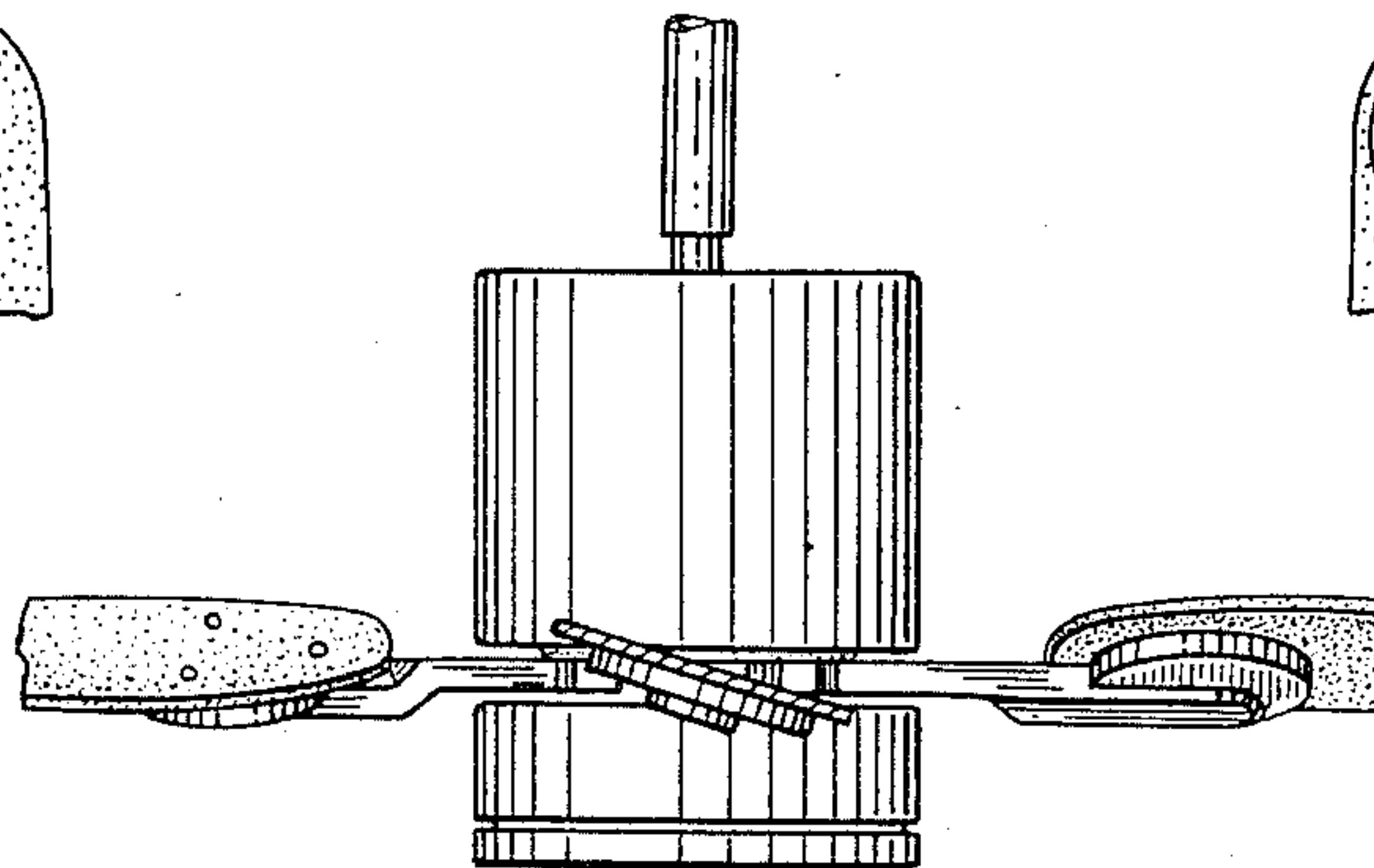


FIG. 3