

[54] BICEP CURL EXERCISE STATION

[75] Inventors: Richard A. Dyer, Leucadia; Thomas E. Stephenson, Del Mar; Michael R. Aten, Poway; Berle E. Rabenberg, Julian, all of Calif.

[73] Assignee: Powercise International Corporation, Houston, Tex.

[**] Term: 14 Years

[21] Appl. No.: 867,261

[22] Filed: May 20, 1986

[52] U.S. Cl. D21/195

[58] Field of Search D21/191-199; 272/67, 117, 118, 125, 134, 136, 143, 144

[56] References Cited

U.S. PATENT DOCUMENTS

| | | | |
|------------|--------|------------------|---------|
| D. 135,411 | 4/1943 | Meyer | D21/198 |
| 4,500,089 | 2/1985 | Jones | 272/117 |
| 4,650,185 | 3/1987 | Cartwright | 272/117 |

OTHER PUBLICATIONS

Coach & Athlete, 3-1981, p. 62, Exerciser at lower left corner of page.

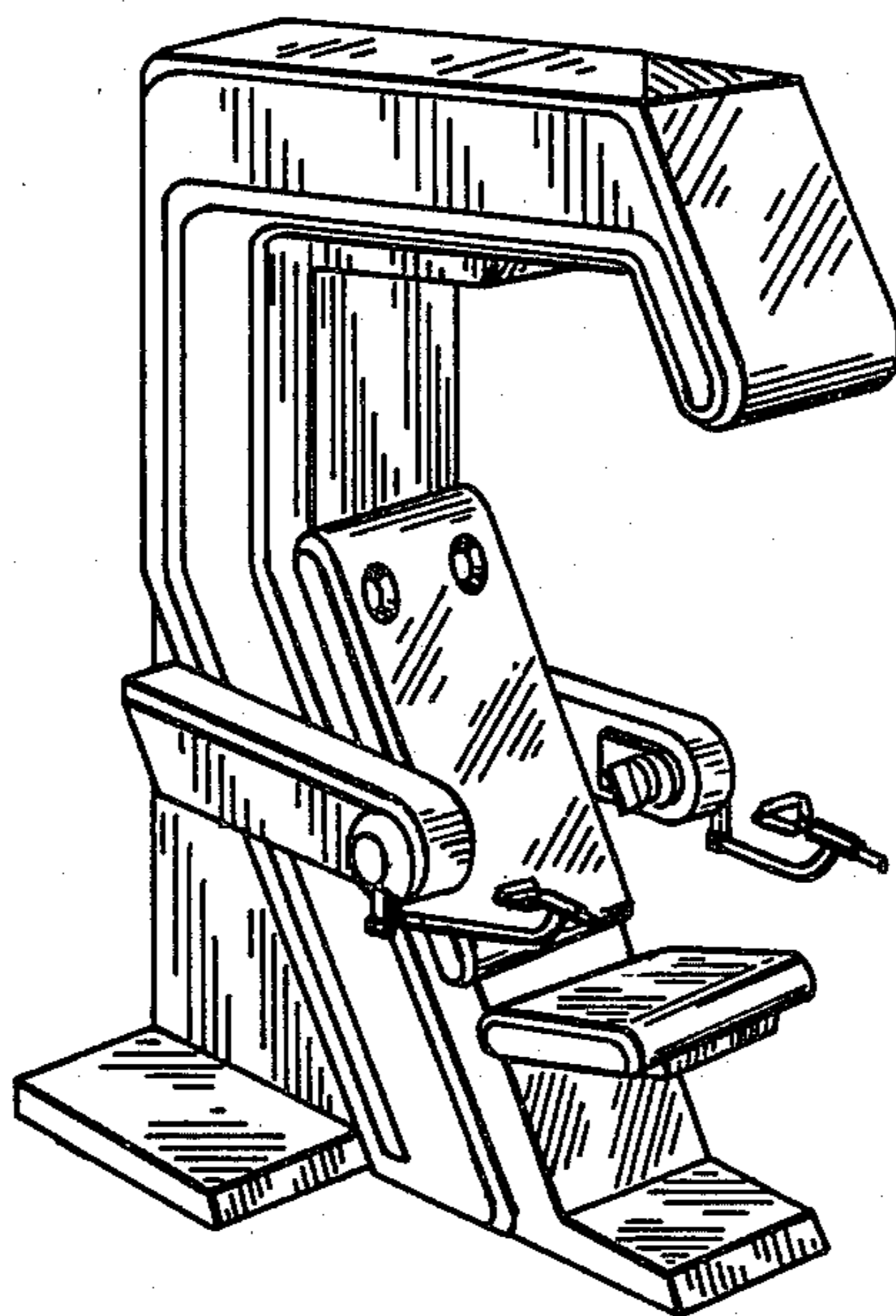
Primary Examiner—Charles A. Rademaker
Attorney, Agent, or Firm—Pravel, Gambrell, Hewitt, Kimball & Krieger

[57] CLAIM

The ornamental design for a bicep curl exercise station, as shown and described.

DESCRIPTION

FIG. 1 is a perspective view of a bicep curl exercise station showing our new design; FIG. 2 is a front elevational view thereof; FIG. 3 is a right side elevational view thereof; FIG. 4 is a rear elevational view thereof; FIG. 5 is a top plan view thereof; FIG. 6 is a bottom plan view thereof; and FIG. 7 is a perspective view of the inner face of the canopy thereof.



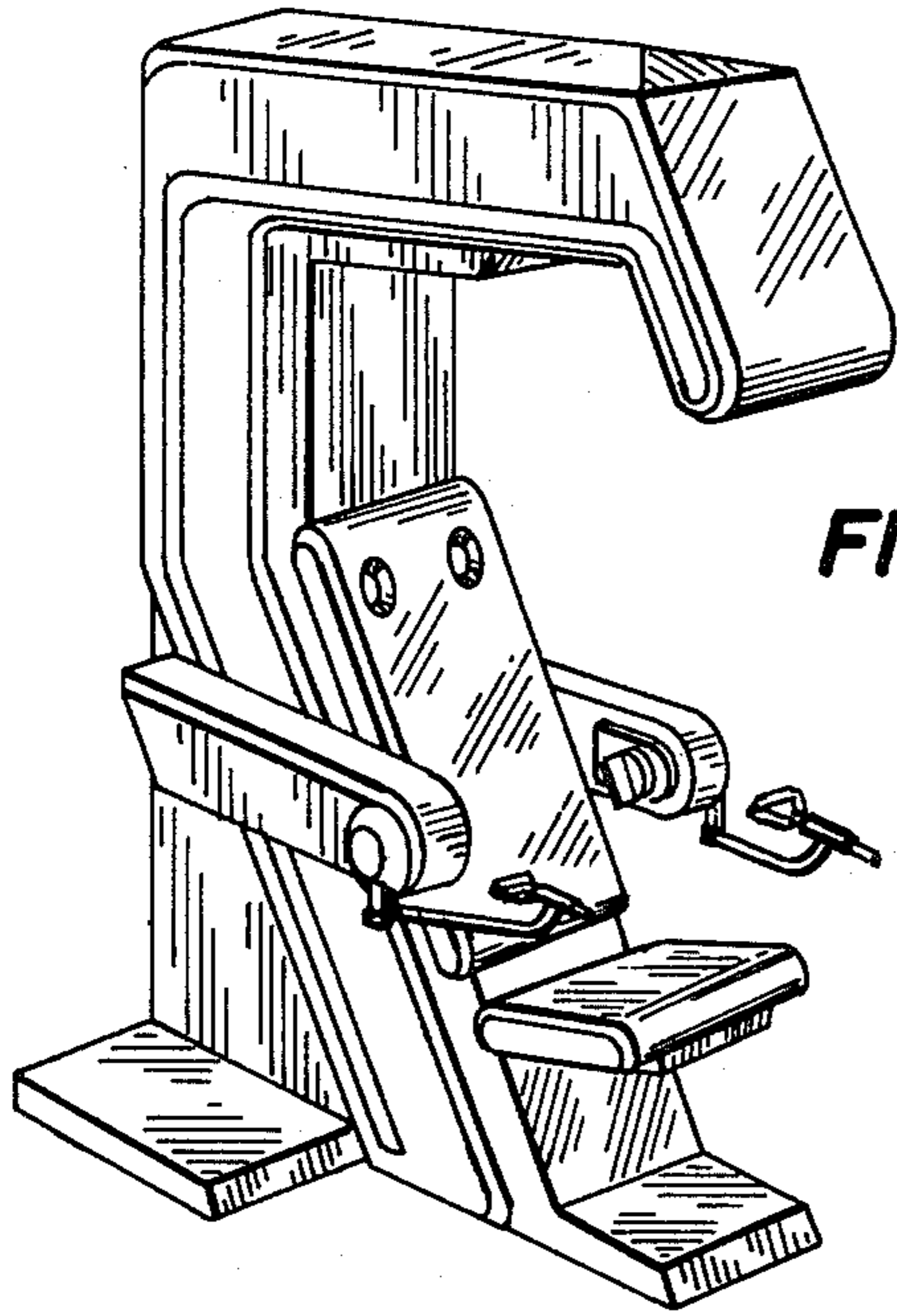


FIG. 1

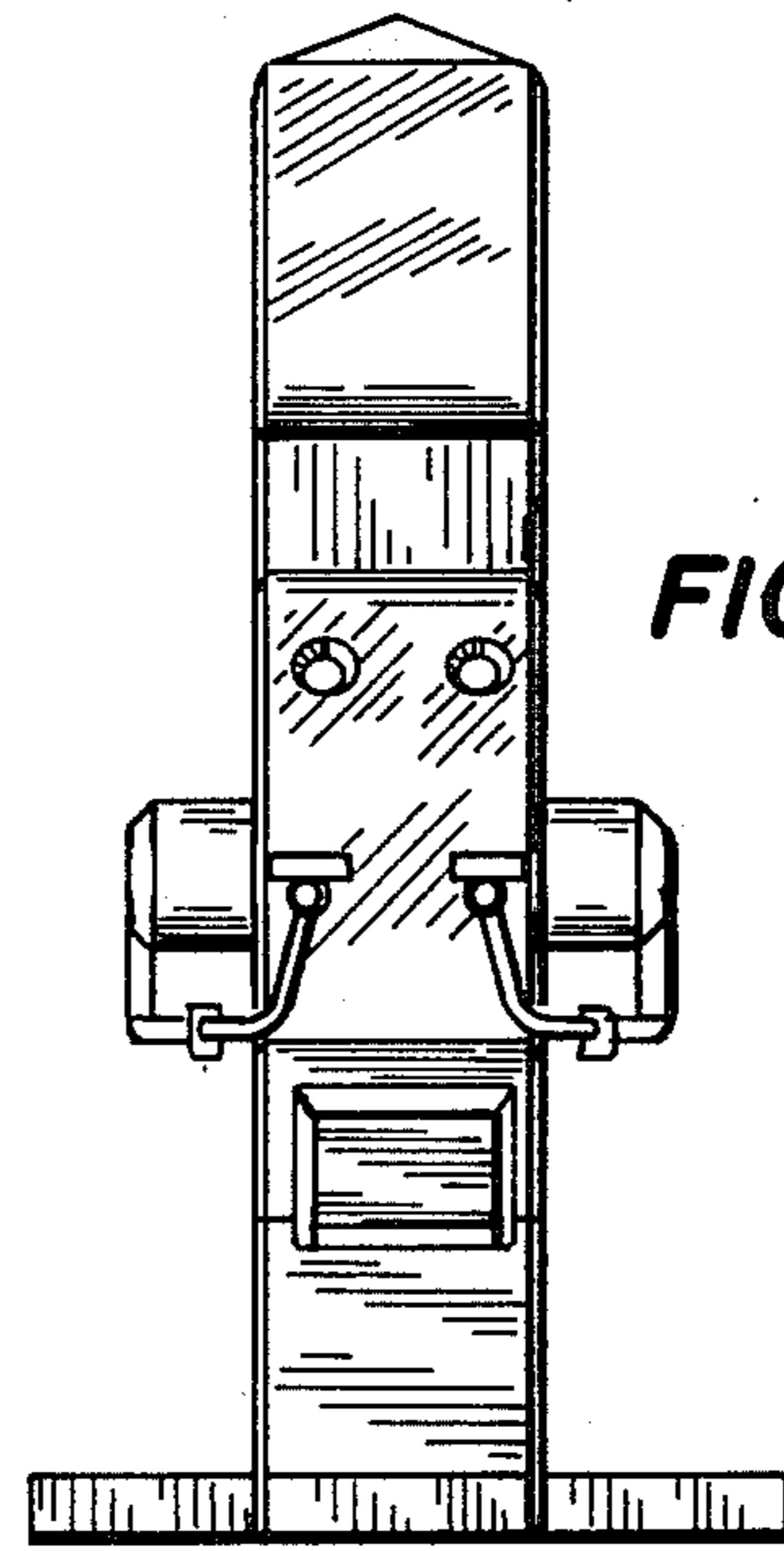


FIG. 2

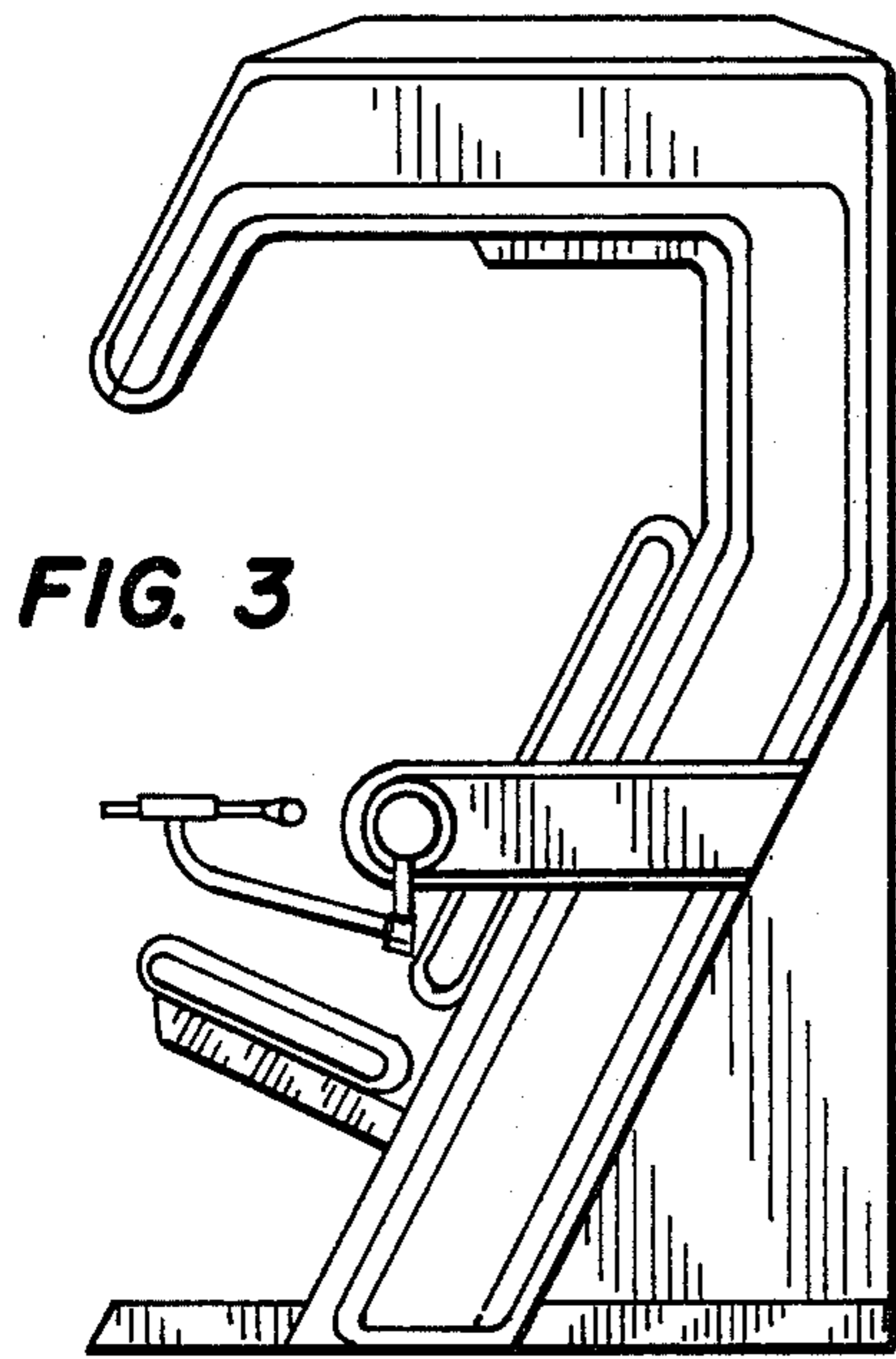


FIG. 3

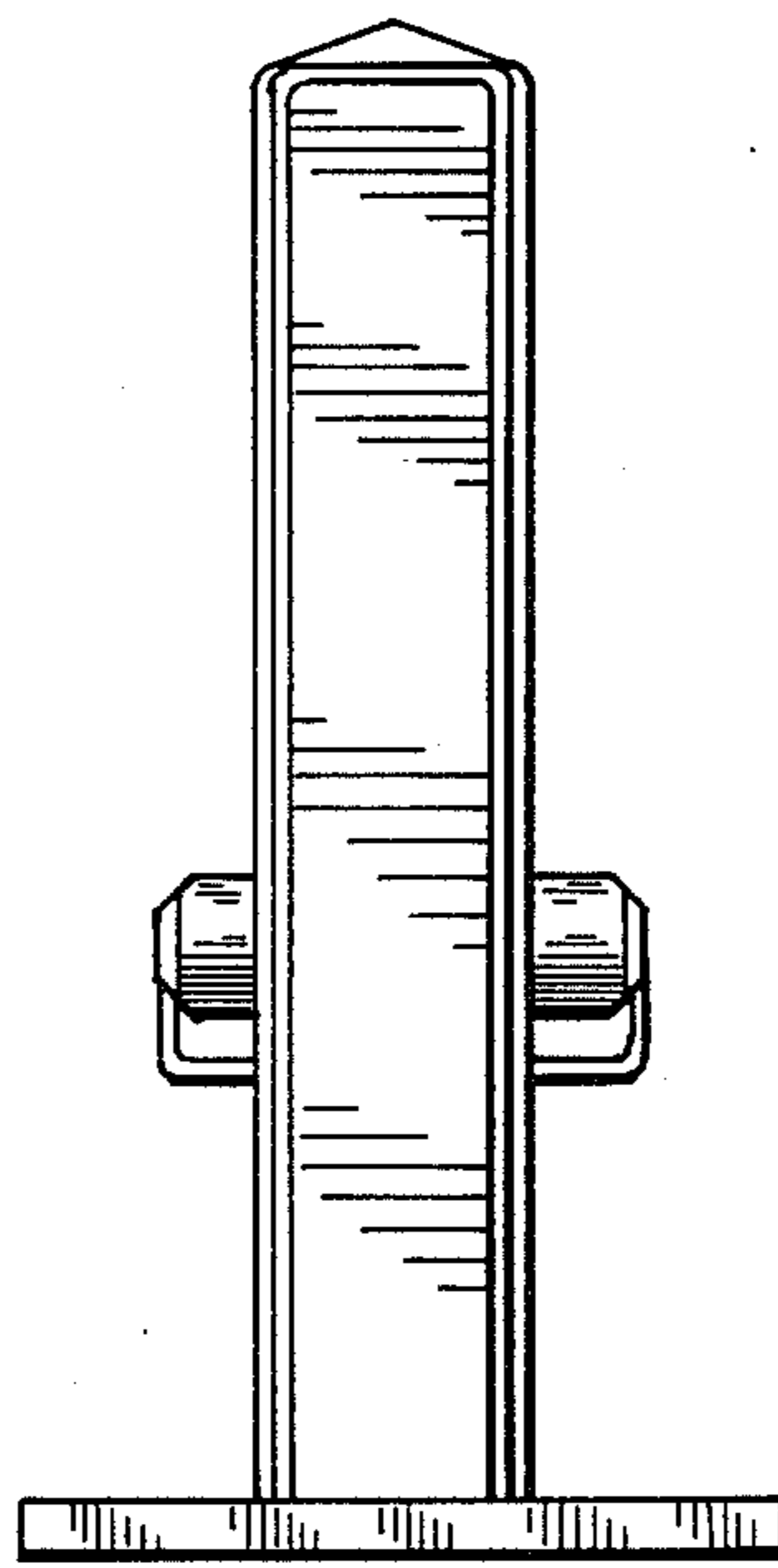


FIG. 4

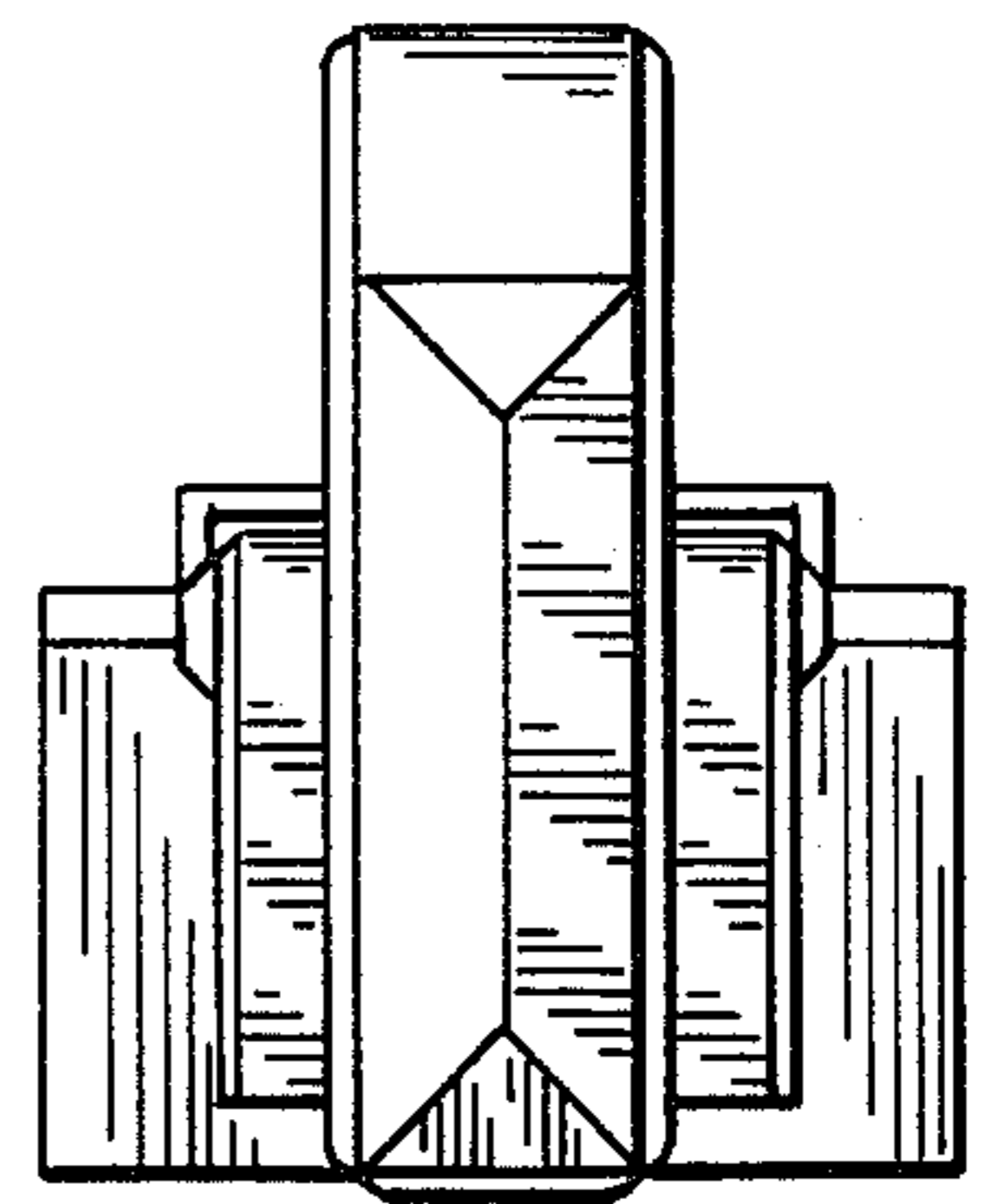


FIG. 5

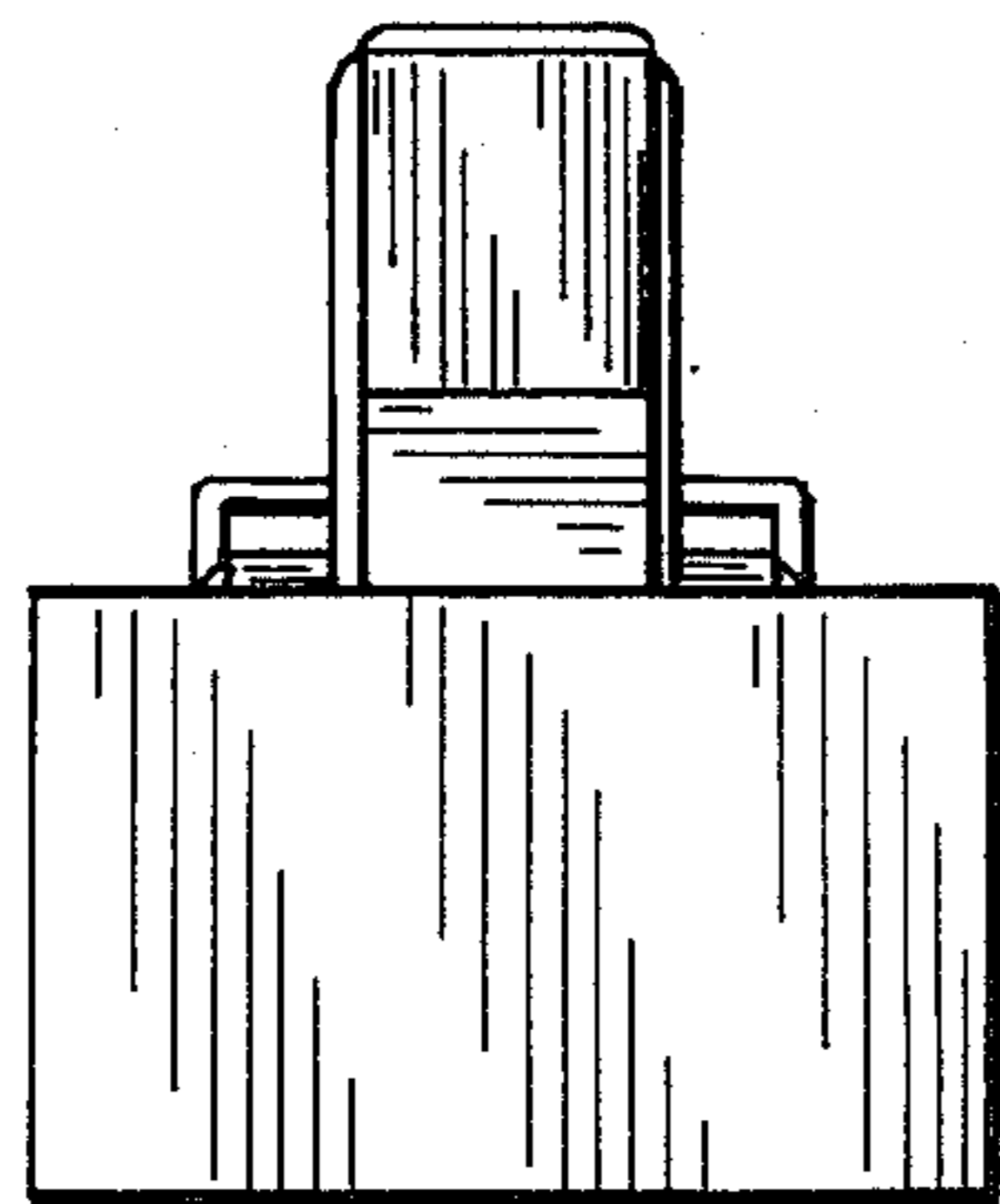


FIG. 6

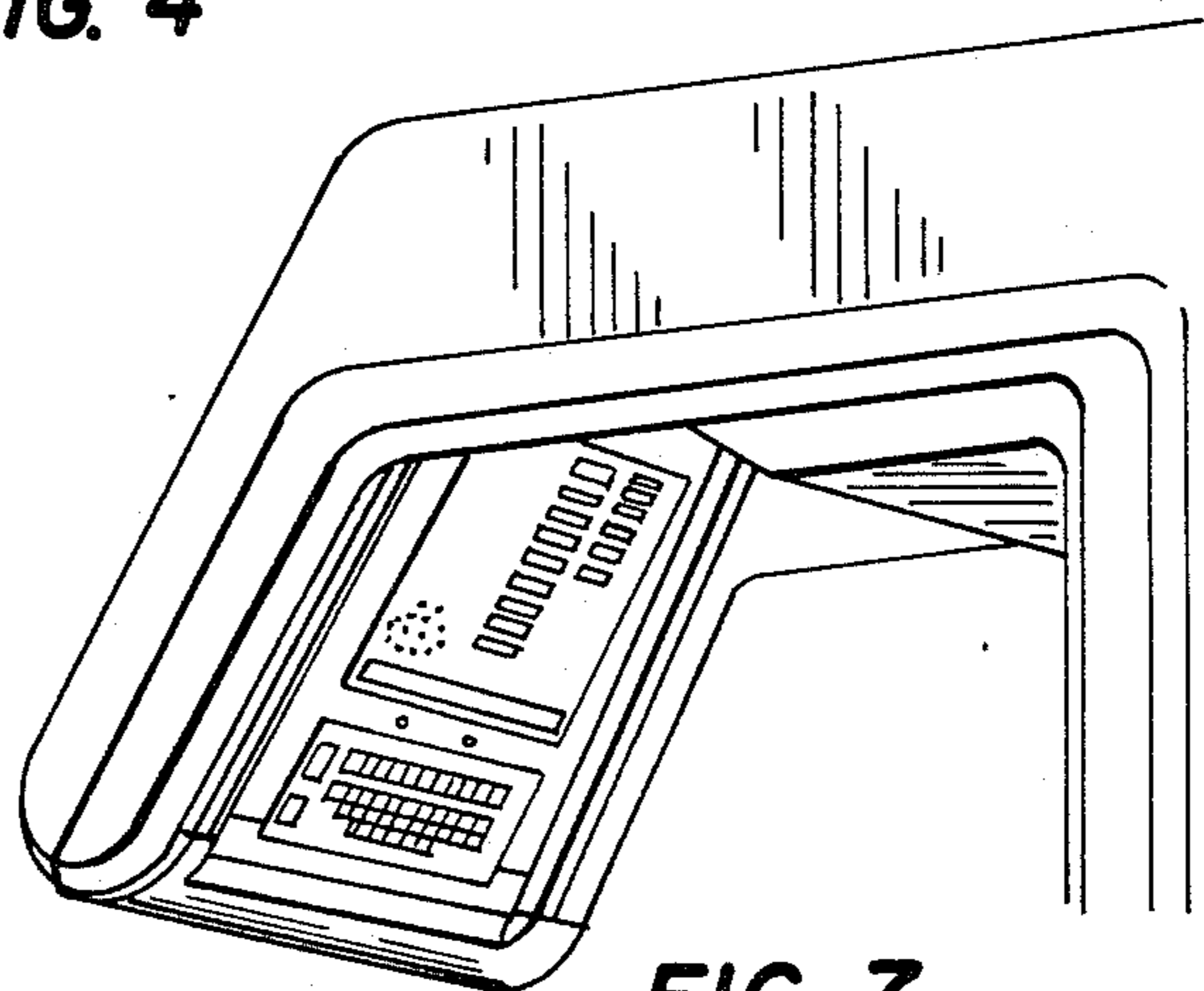


FIG. 7