

[54] CHEST PRESS EXERCISE STATION

[75] Inventors: Richard A. Dyer, Leucadia; Thomas E. Stephenson, Del Mar; Michael R. Aten, Poway; Berle E. Rabenberg, Julian, all of Calif.

[73] Assignee: Powercise International Corporation, Houston, Tex.

[\*\*] Term: 14 Years

[21] Appl. No.: 867,259

[22] Filed: May 20, 1986

[52] U.S. Cl. .... D21/195

[58] Field of Search ..... D21/191-199; 272/67, 117, 118, 125, 134, 136, 143, 144

[56] References Cited

U.S. PATENT DOCUMENTS

D. 135,411	4/1943	Meyer	.....	D21/198
4,500,089	2/1985	Jones	.....	272/117
4,650,185	3/1987	Cartwright	.....	272/117

OTHER PUBLICATIONS

Coach & Athlete, 3-1981, p. 62, Exerciser at lower left corner of page.

Primary Examiner—Charles A. Rademaker  
Attorney, Agent, or Firm—Pravel, Gambrell, Hewitt, Kimball & Krieger

[57] CLAIM

The ornamental design for a chest press exercise station, as shown and described.

DESCRIPTION

FIG. 1 is a perspective view of a chest press exercise station showing our new design;  
 FIG. 2 is a front elevational view thereof;  
 FIG. 3 is a right side elevational view thereof;  
 FIG. 4 is a rear elevational view thereof;  
 FIG. 5 is a top plan view thereof;  
 FIG. 6 is a bottom plan view thereof;  
 FIG. 7 is a perspective view of the inner face of the canopy thereof;  
 FIG. 8 is a perspective view of a modified form of the design shown in FIGS. 1 through 7;  
 FIG. 9 is a front elevational view thereof;  
 FIG. 10 is a right side elevational view thereof;  
 FIG. 11 is a rear elevational view thereof;  
 FIG. 12 is a top plan view thereof;  
 FIG. 13 is a bottom plan view thereof; and  
 FIG. 14 is a perspective view of the inner face of the canopy thereof.

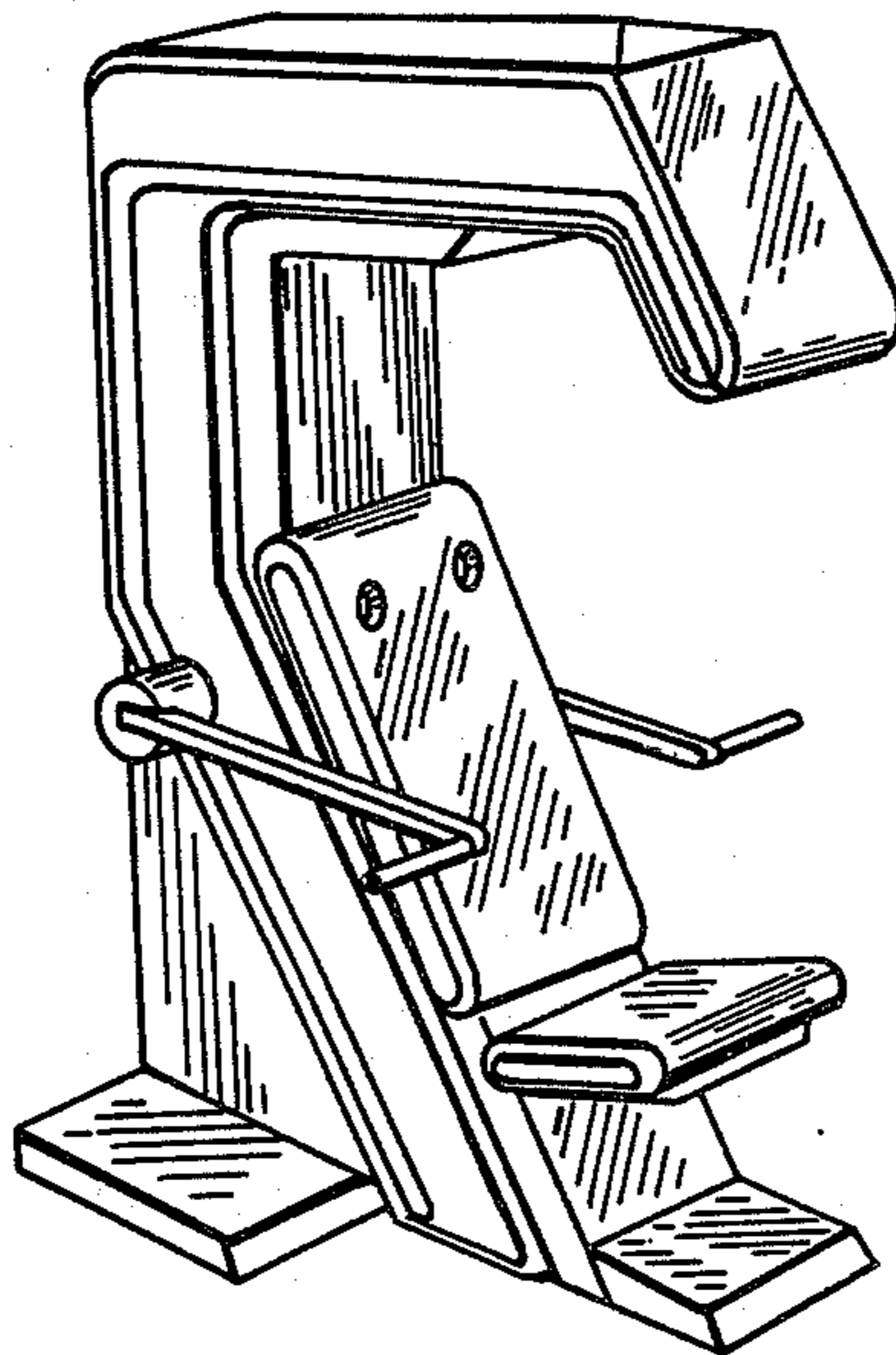


FIG. 1

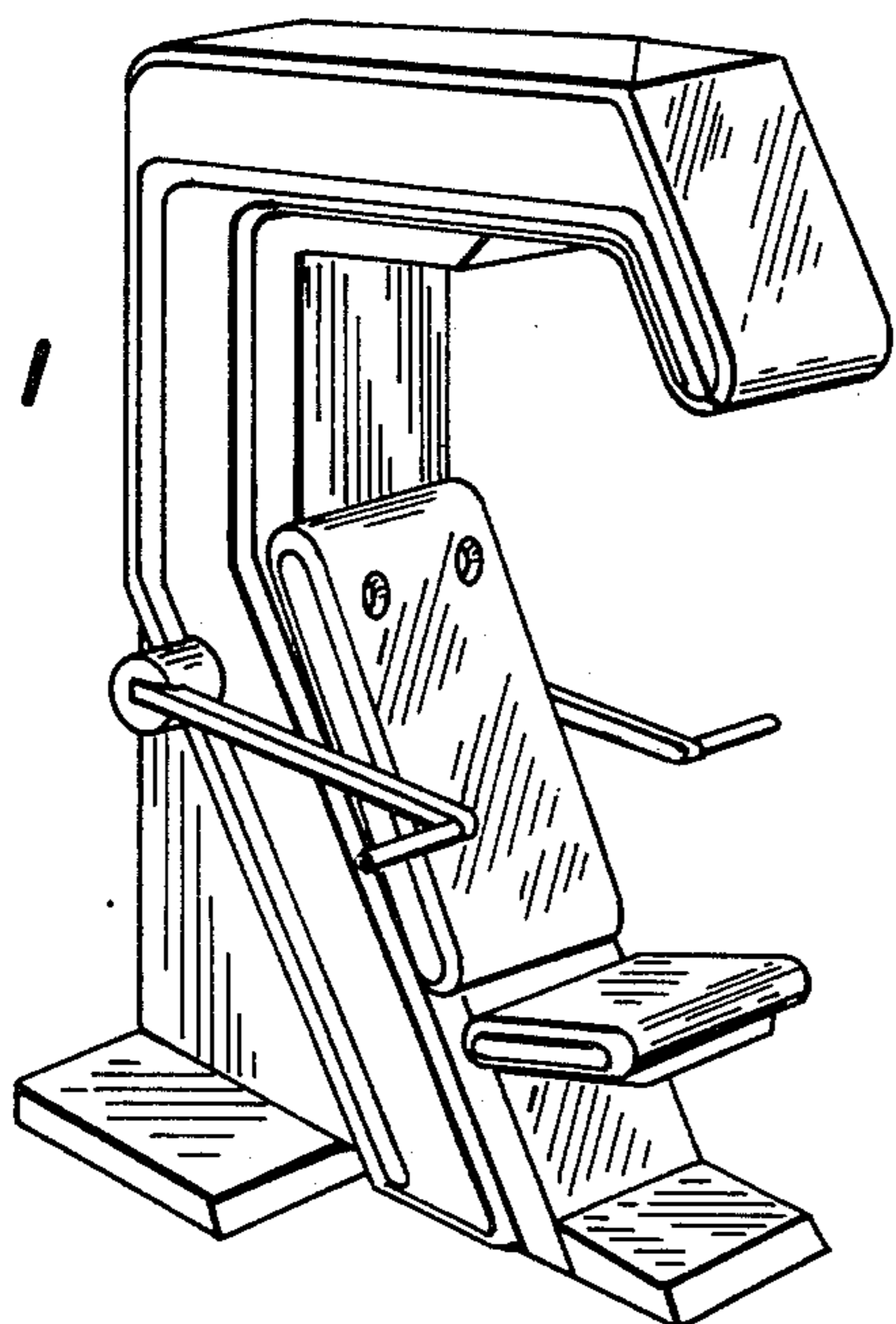


FIG. 2

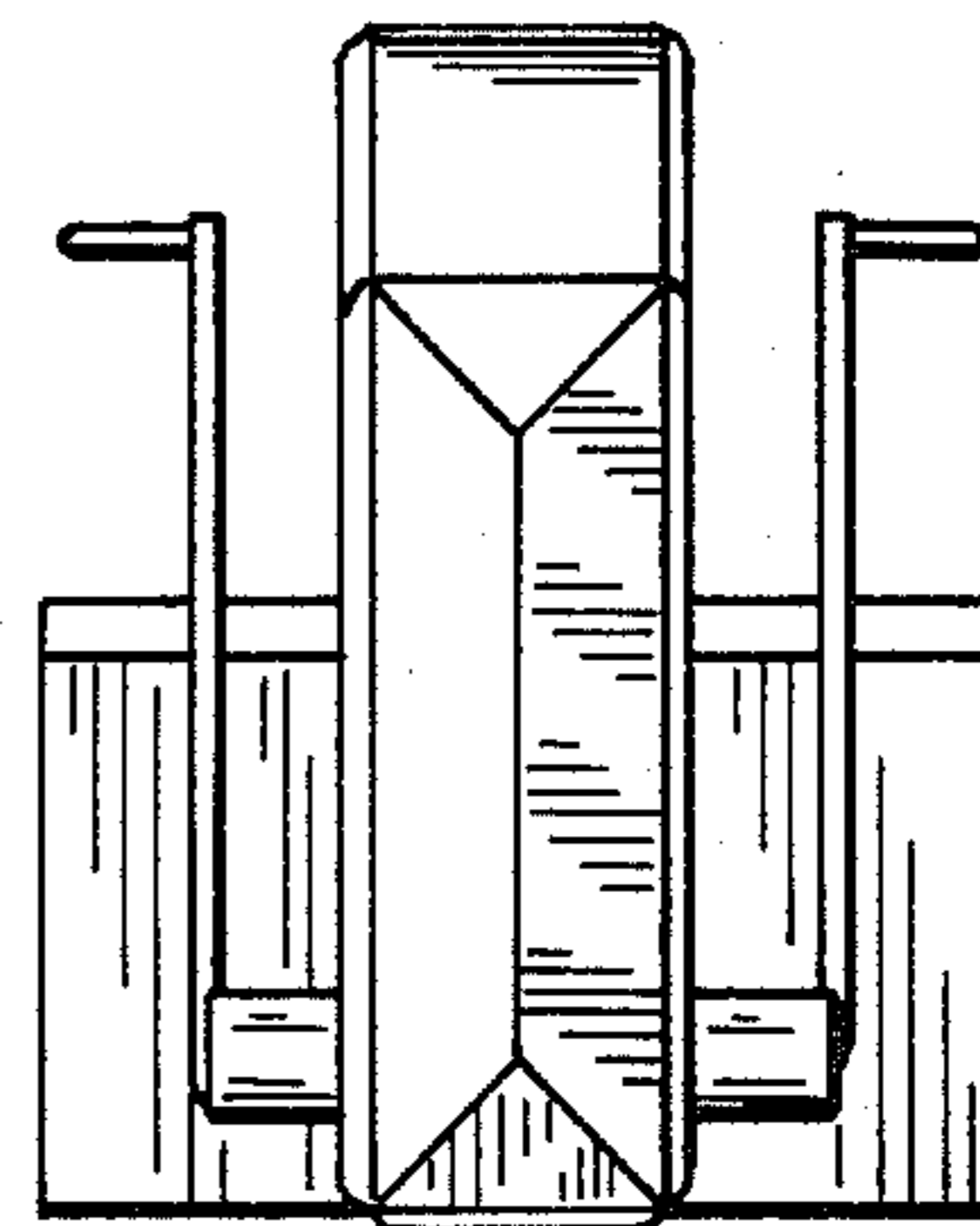
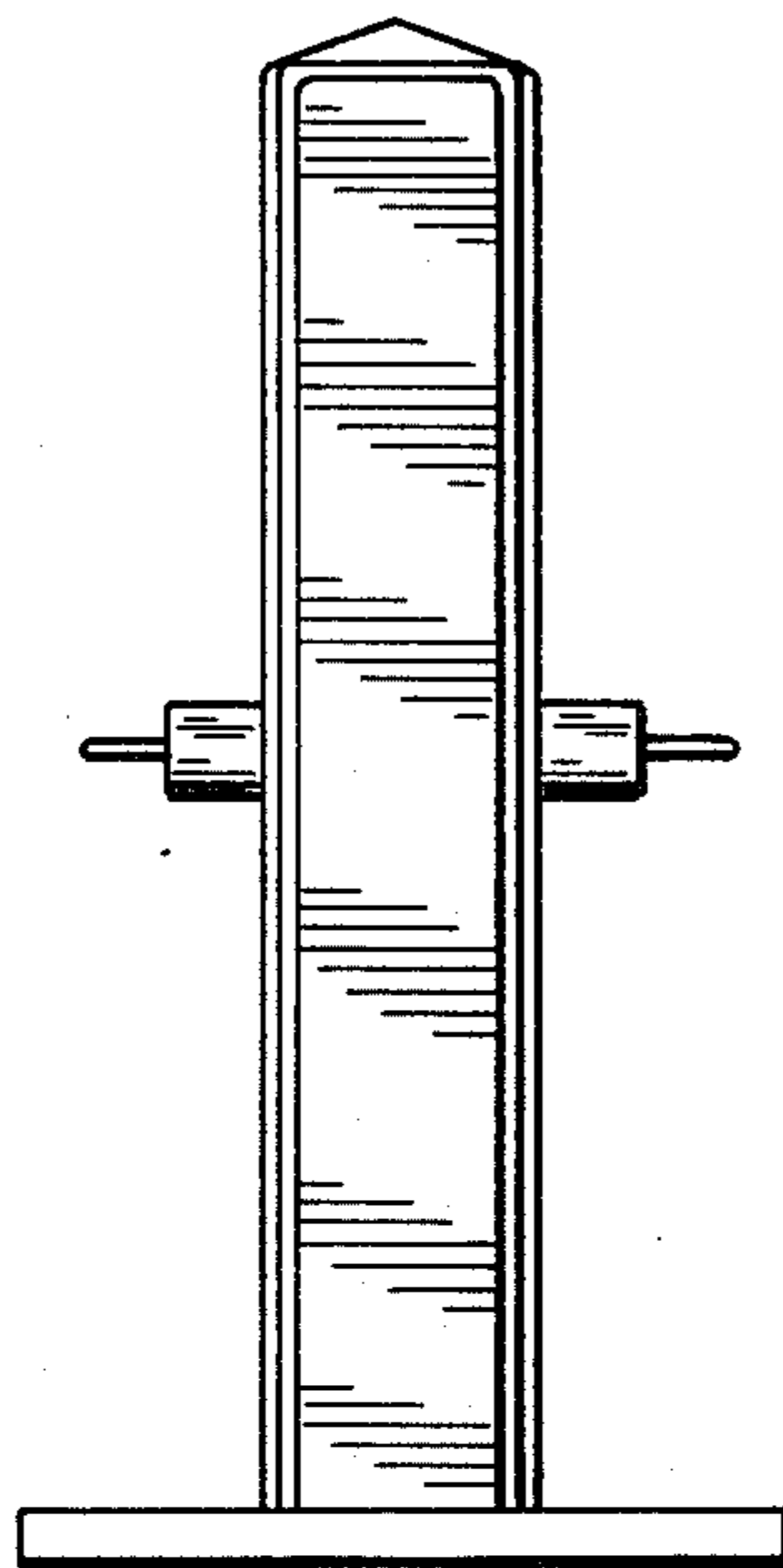
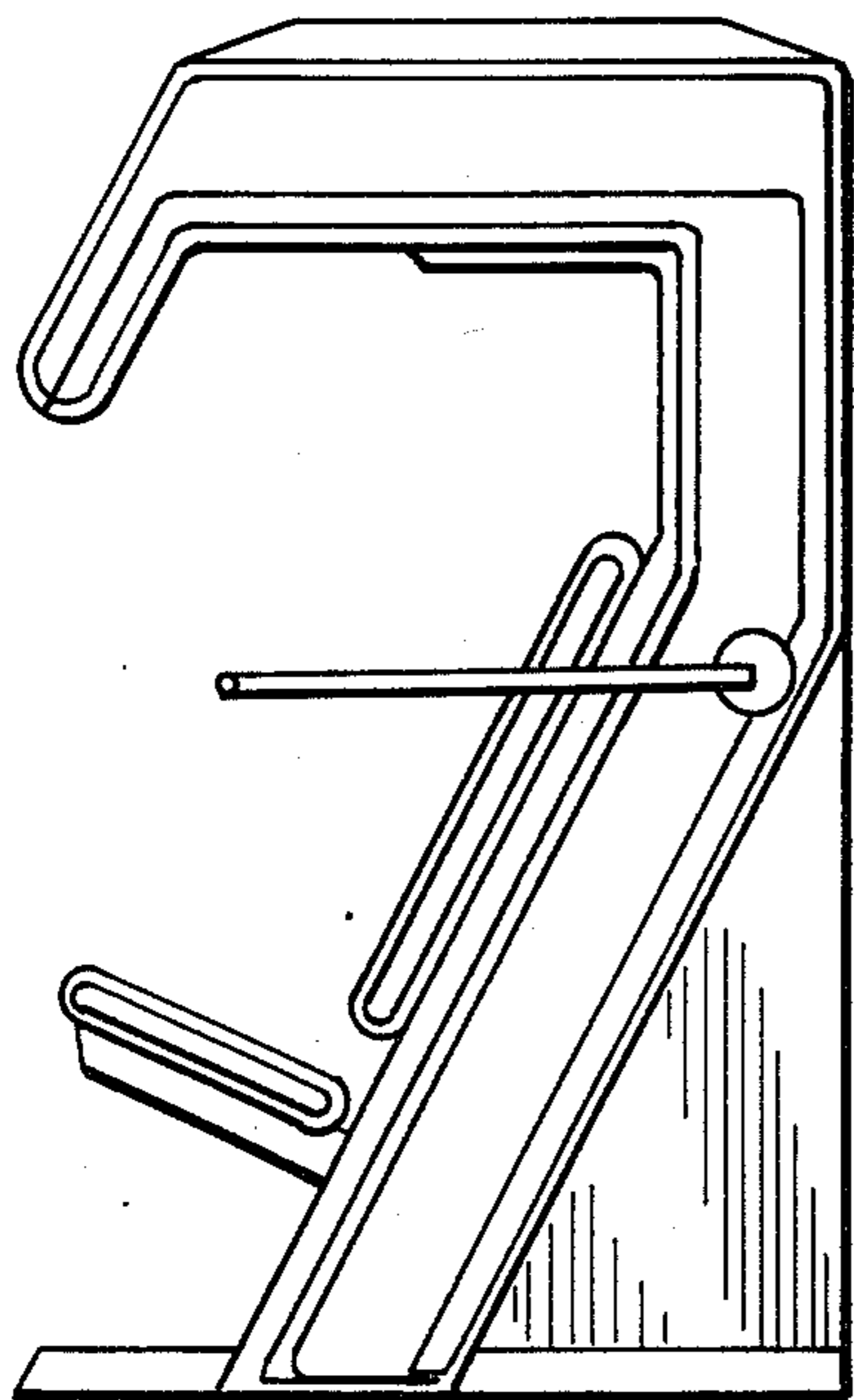
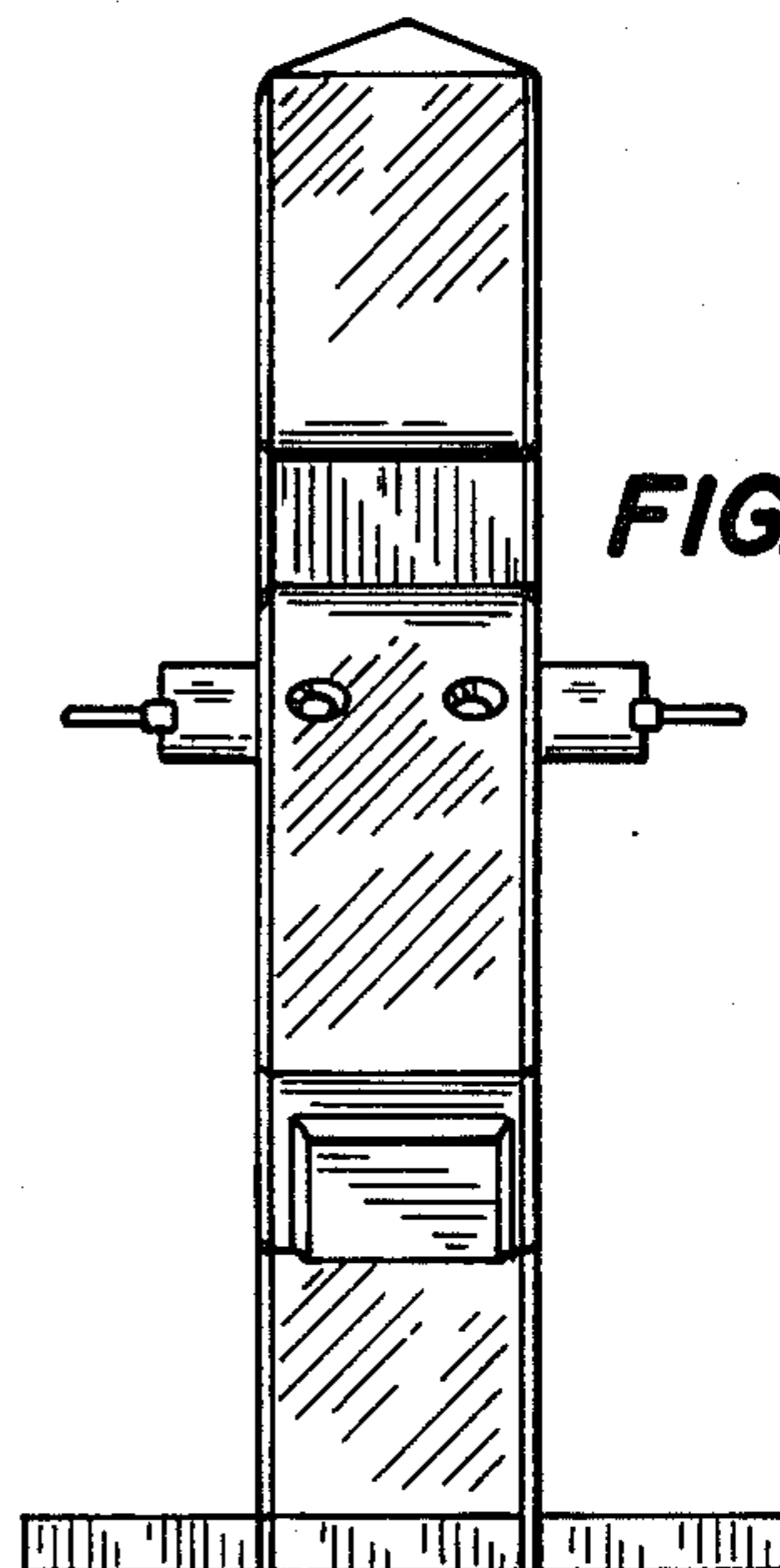


FIG. 3

FIG. 4

FIG. 5

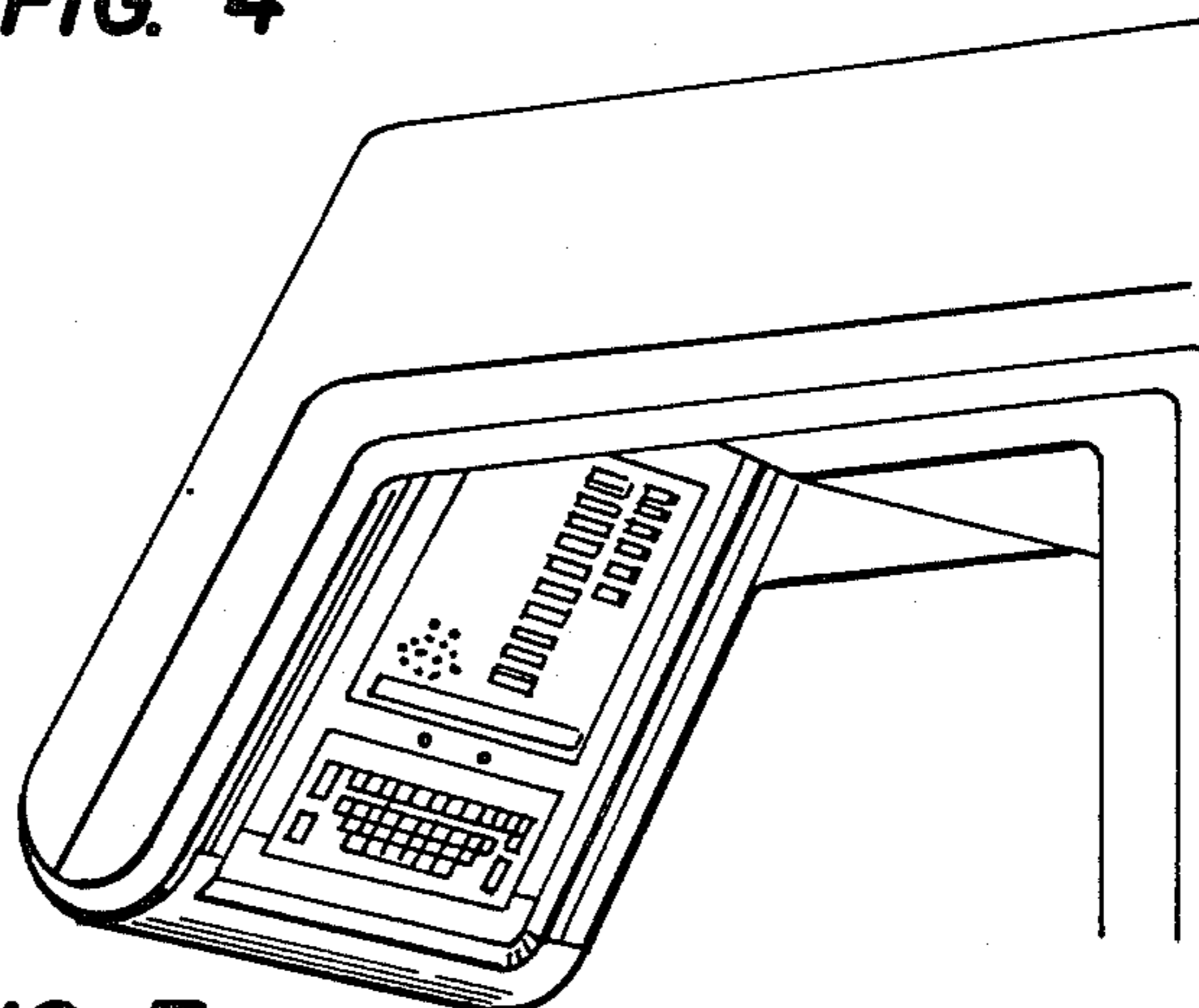
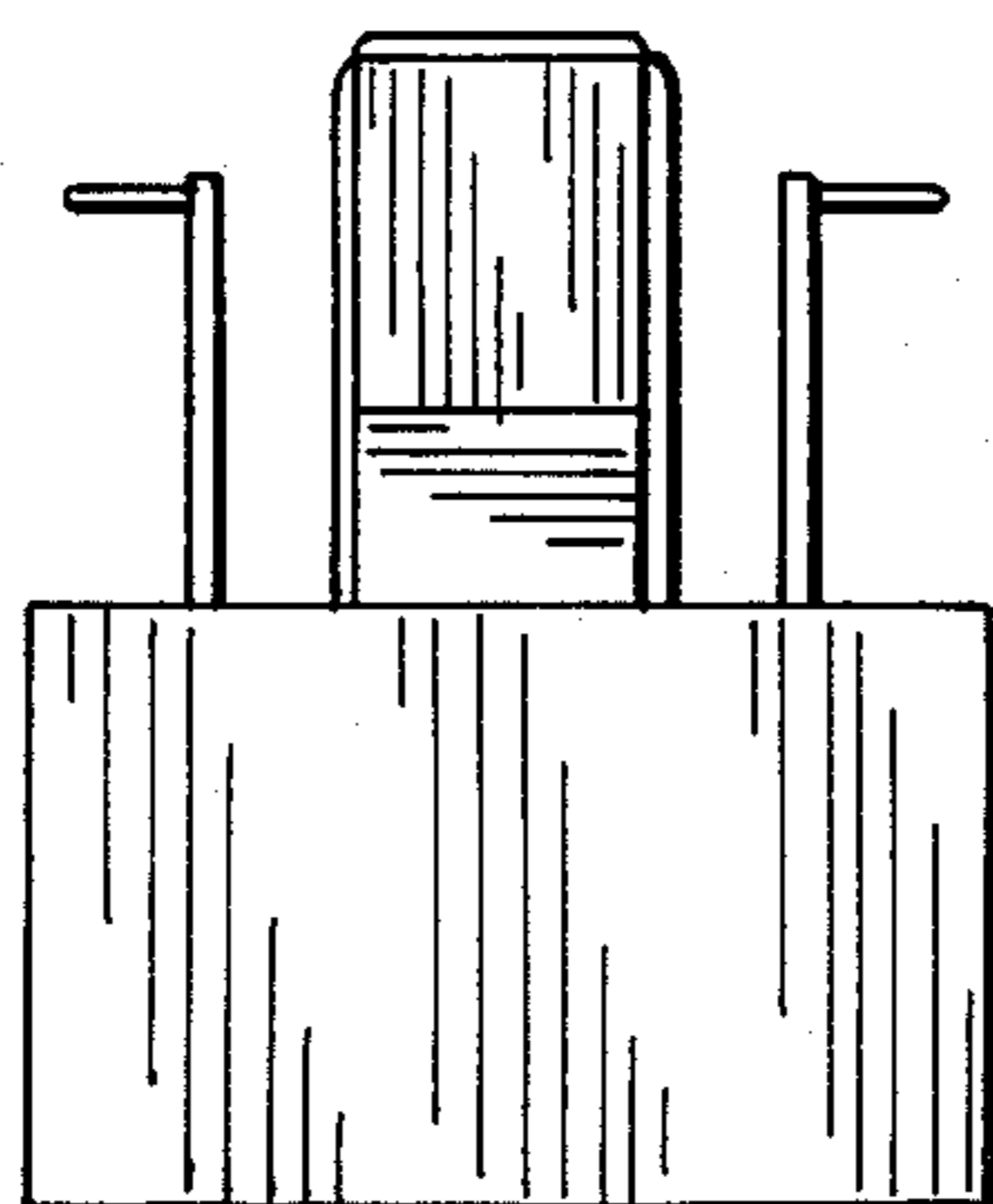
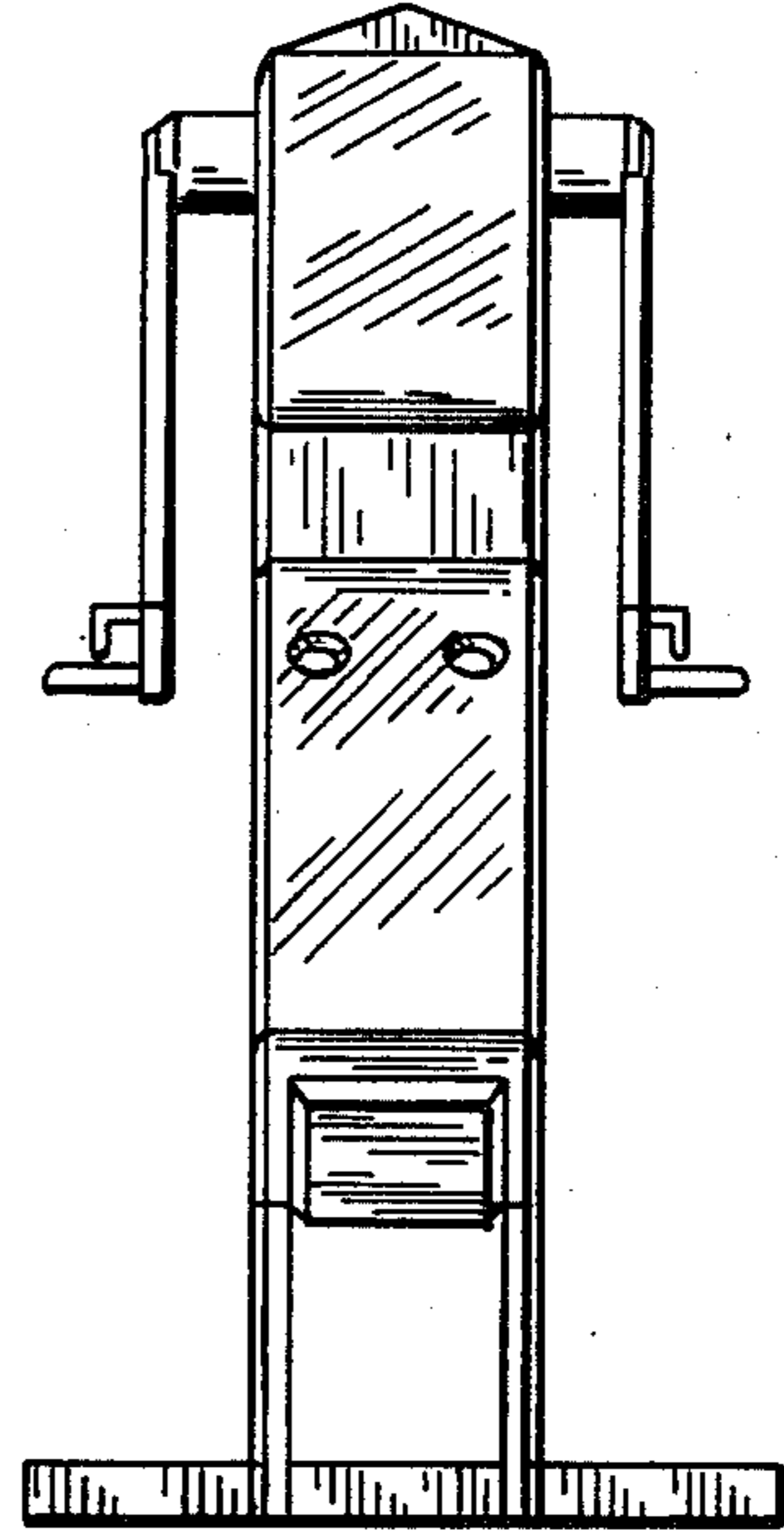
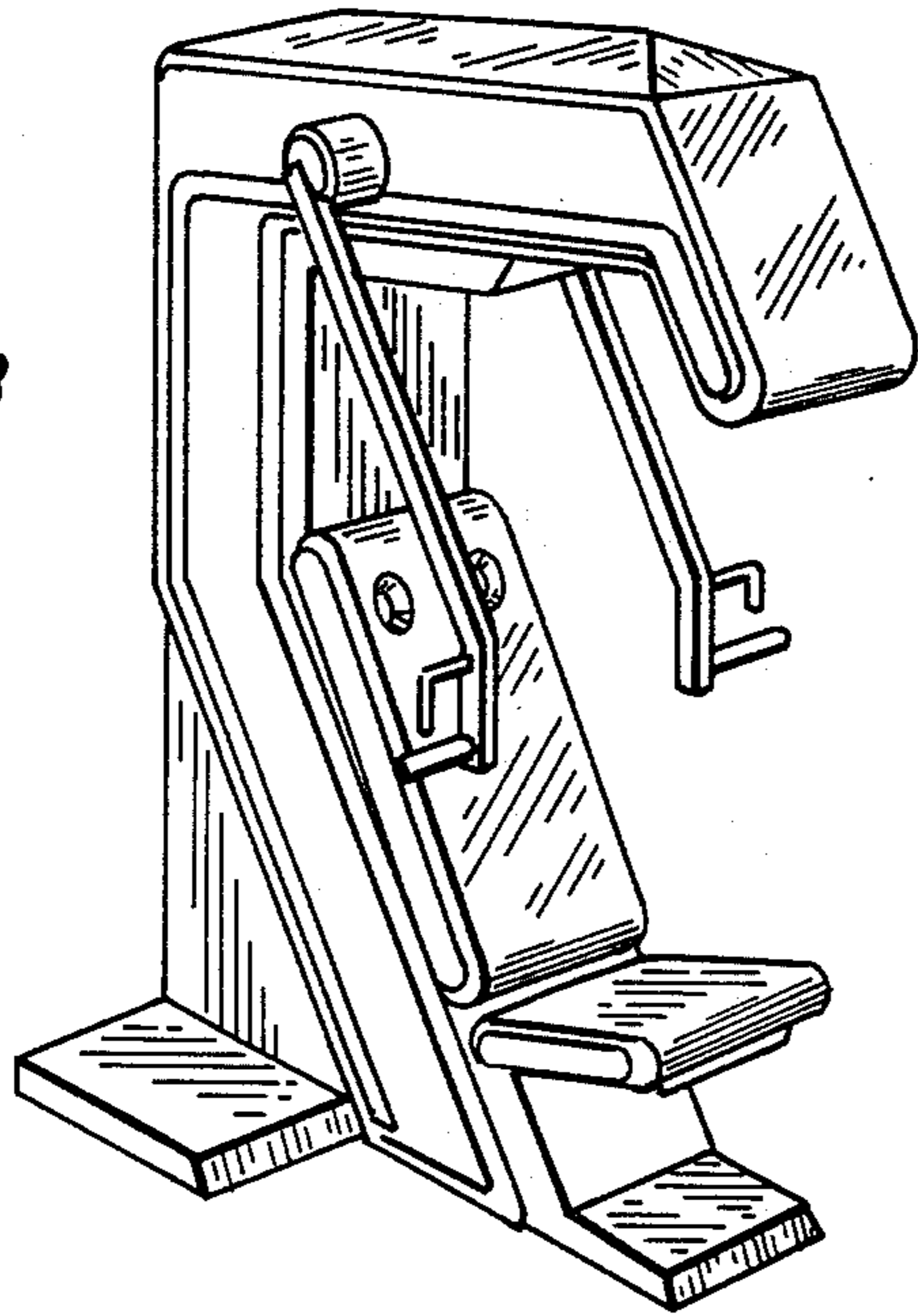


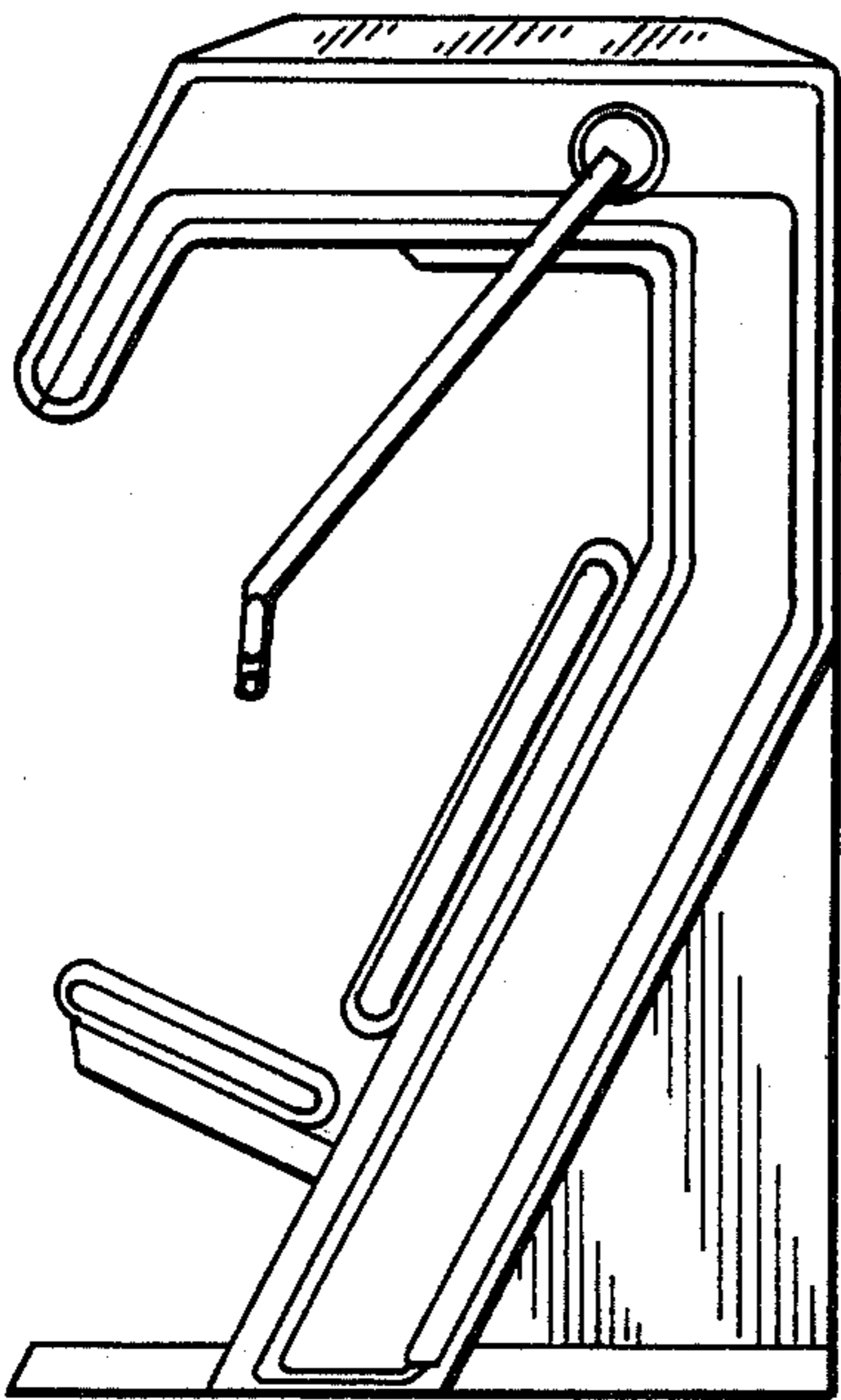
FIG. 6

FIG. 7

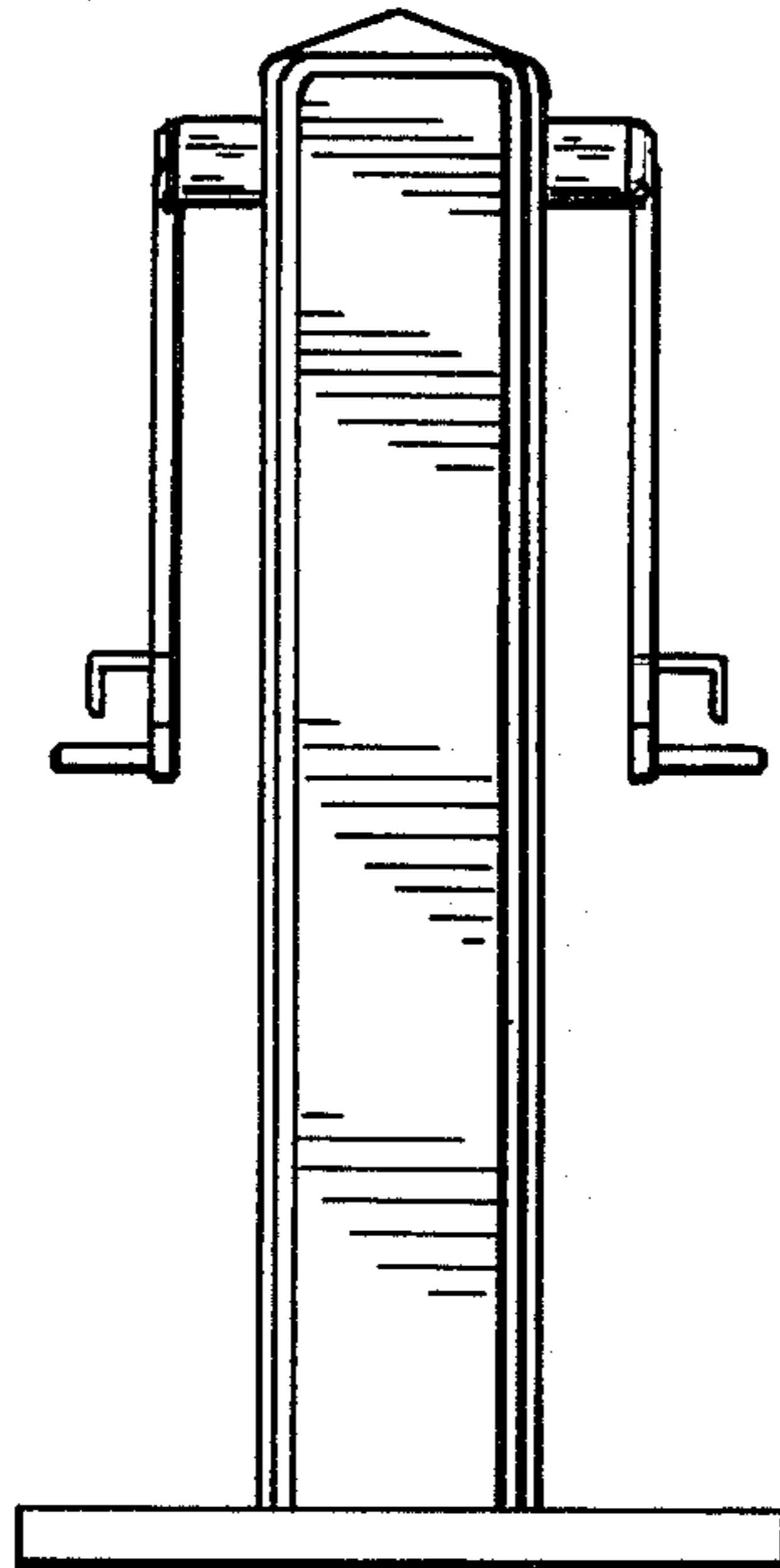
**FIG. 8**



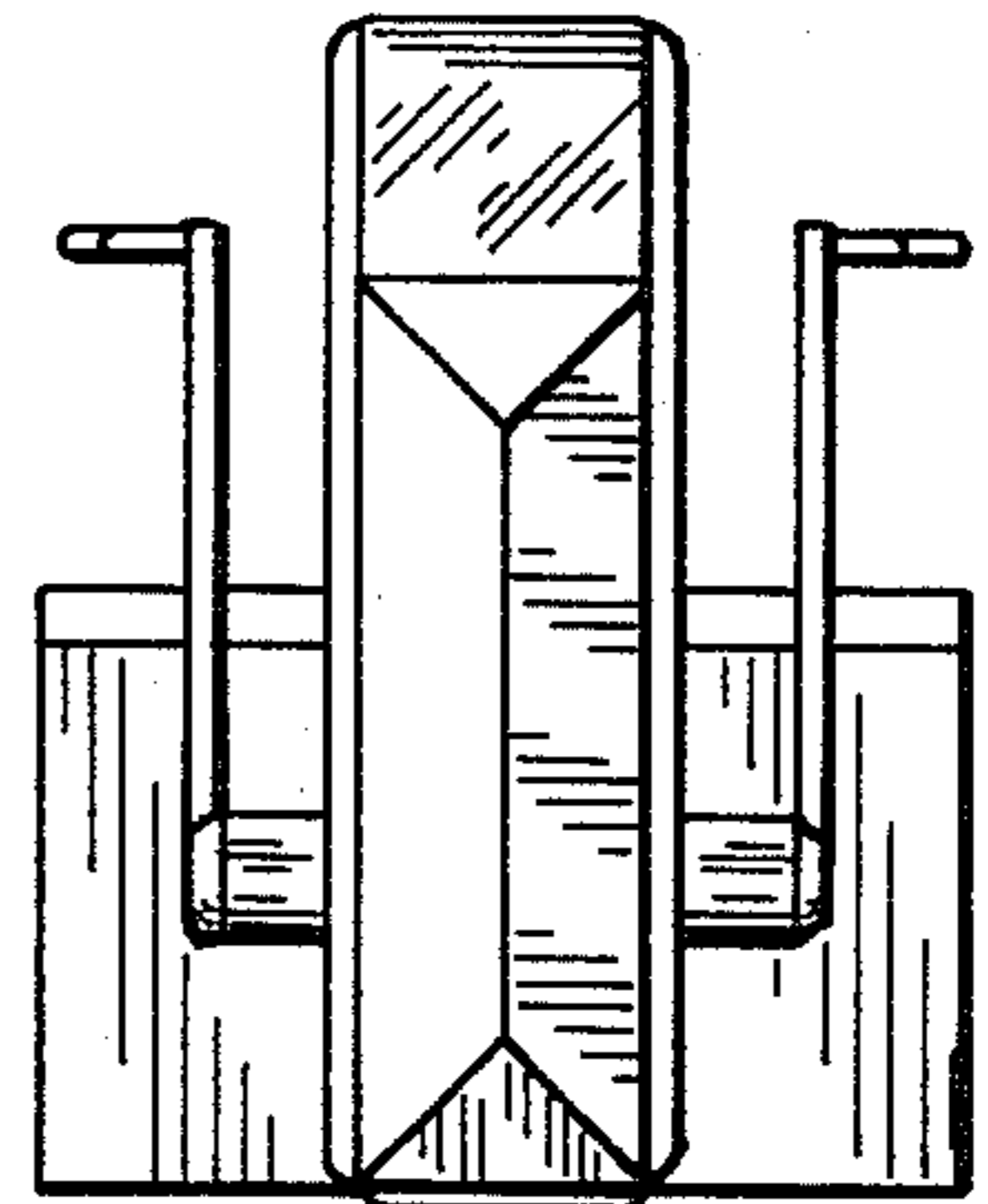
**FIG. 9**



**FIG. 10**

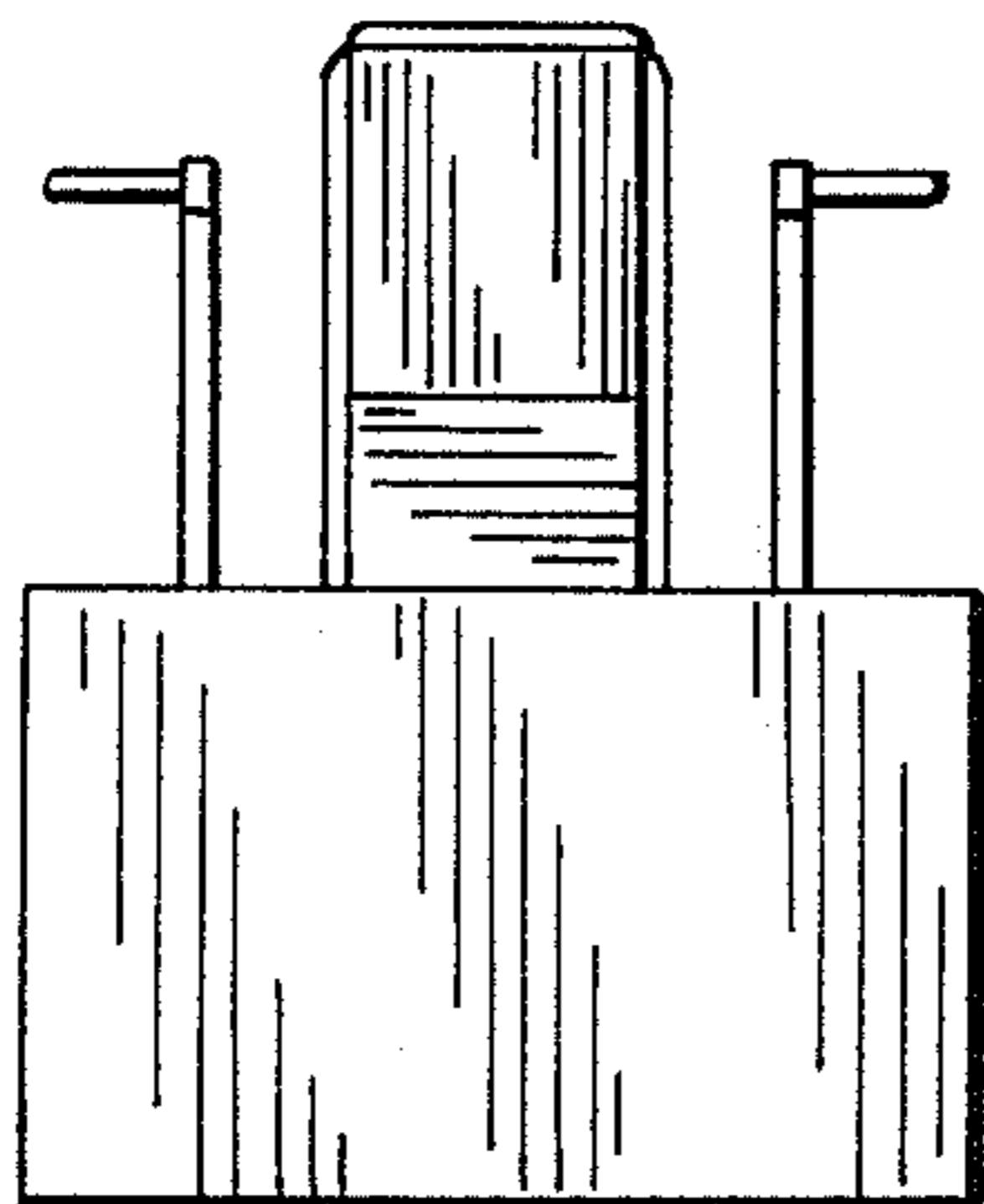


**FIG. 11**



**FIG. 12**

**FIG. 13**



**FIG. 14**

