

[54] JOYSTICK

[75] Inventors: Masaaki Yasuda, Tokyo; Keita Amemiya, Funabashi, both of Japan

[73] Assignee: Kabushiki Kaisha ASCII, Tokyo, Japan

[**] Term: 14 Years

[21] Appl. No.: 61,681

[22] Filed: Jun. 11, 1987

[52] U.S. Cl. D21/48; D13/32; D14/114

[58] Field of Search D21/48, 1; D14/114; D13/32; 273/148 B, DIG. 28

[56] References Cited

U.S. PATENT DOCUMENTS

- D. 274,631 7/1984 Smith et al. D21/48
- D. 282,759 2/1986 Weissberg D21/48

OTHER PUBLICATIONS

Hong Kong Toys, 1985, pp. 120 & 121, "Multijoy" Joystick.

Primary Examiner—Melvin B. Feifer
Attorney, Agent, or Firm—Koda and Androlia

[57] CLAIM

The ornamental design for a joystick, as shown and described.

DESCRIPTION

FIG. 1 is a perspective view of a joystick showing our new design;
 FIG. 2 is a top plan view thereof;
 FIG. 3 is a bottom plan view thereof;
 FIG. 4 is a rear elevational view thereof;
 FIG. 5 is a front elevational view thereof;
 FIG. 6 is a right side elevational view thereof;
 FIG. 7 is a left side elevational view thereof;
 FIG. 8 is a cross sectional view thereof taken along the line A—A of FIG. 2; and
 FIG. 9 is a cross sectional view thereof taken along the line B—B of FIG. 2.

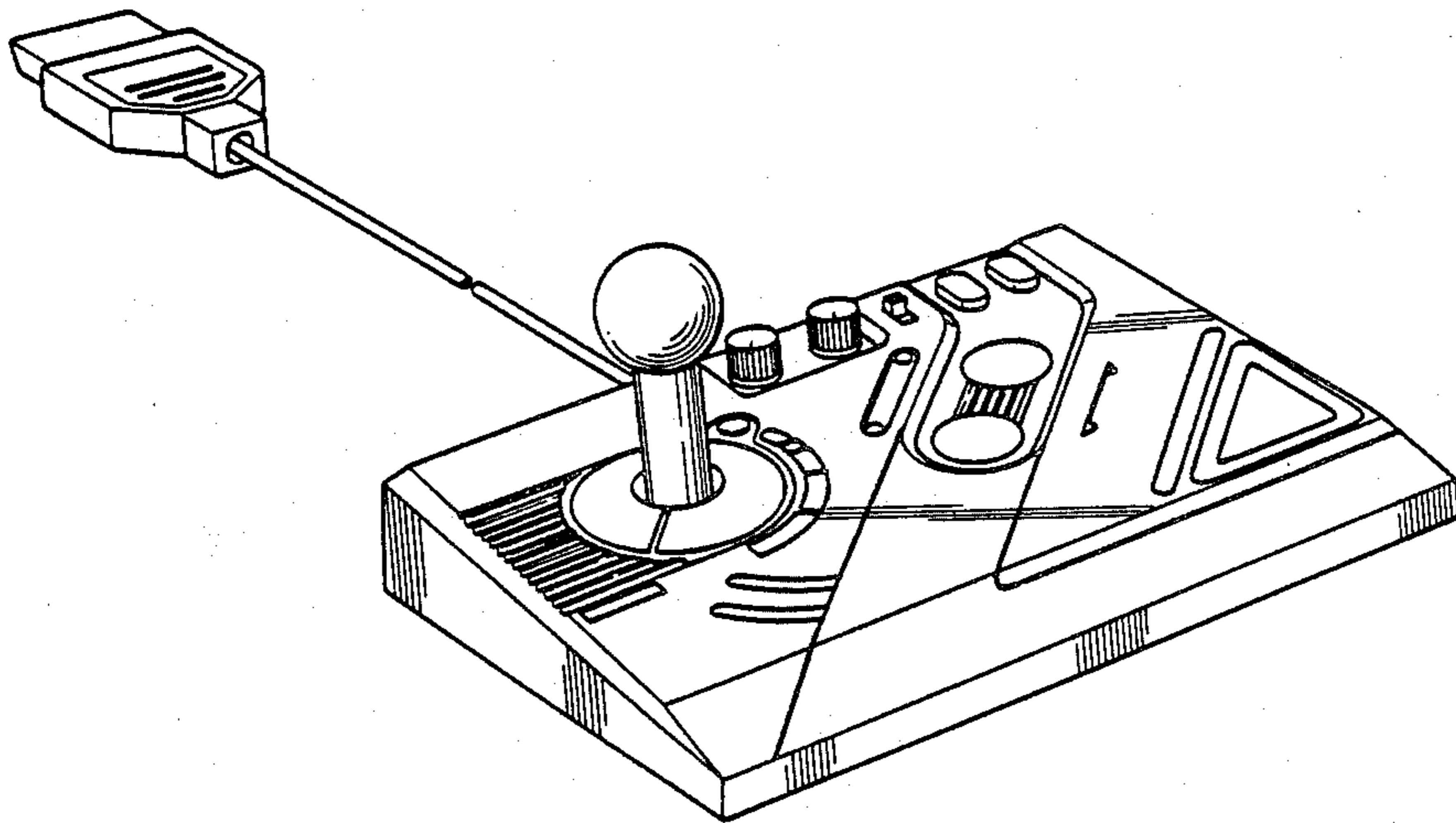


FIG. 1

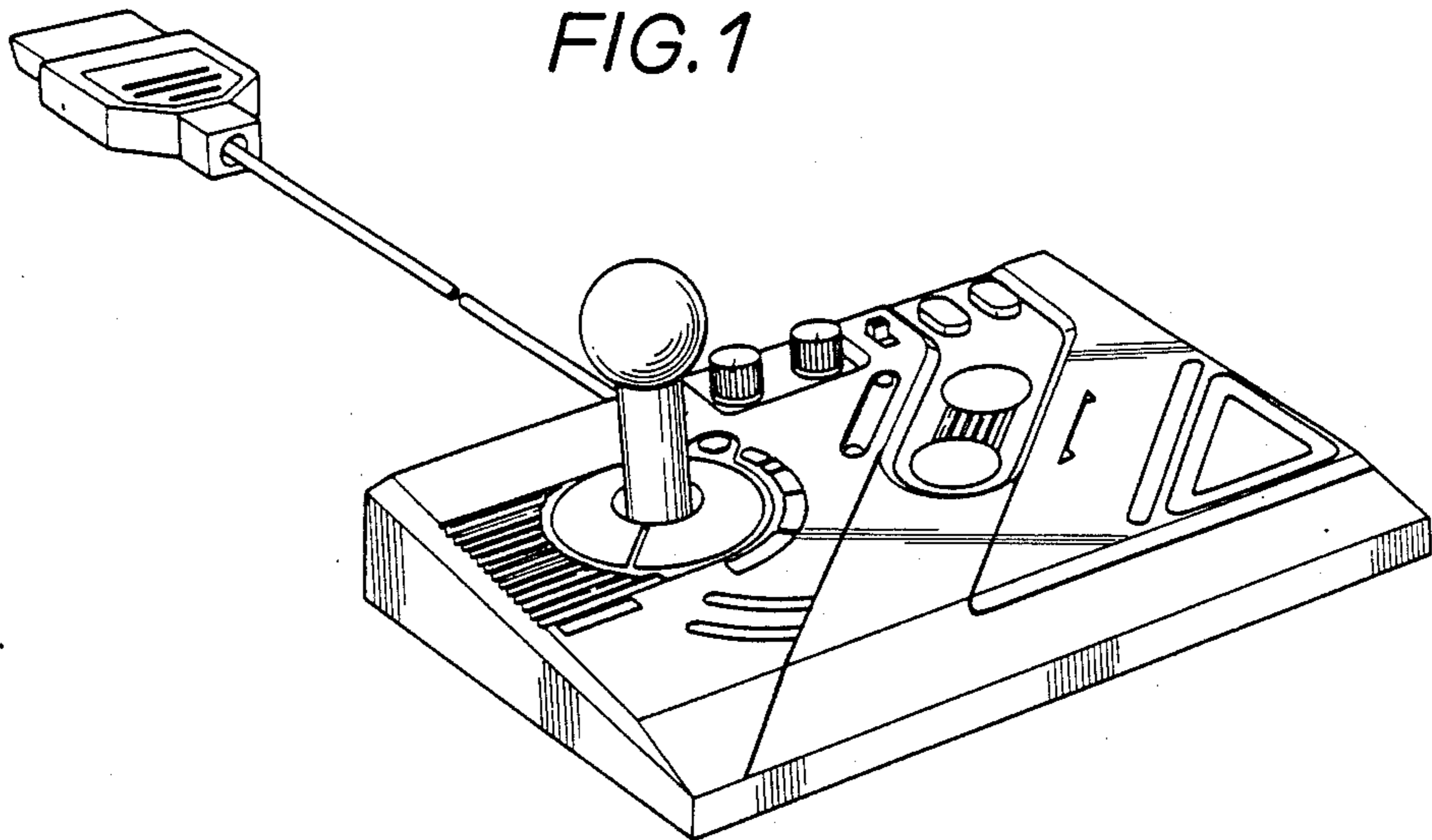


FIG. 2

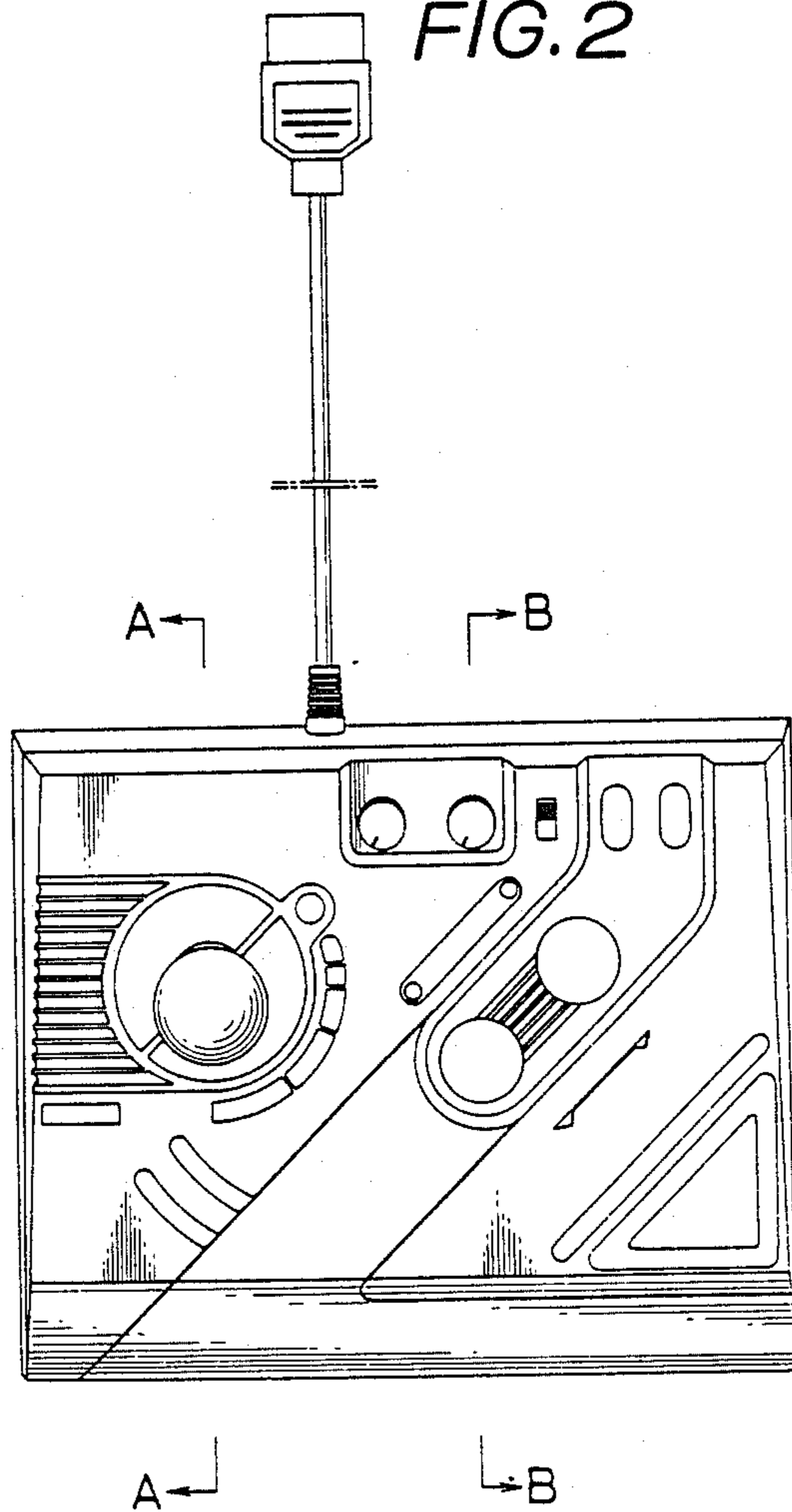


FIG. 3

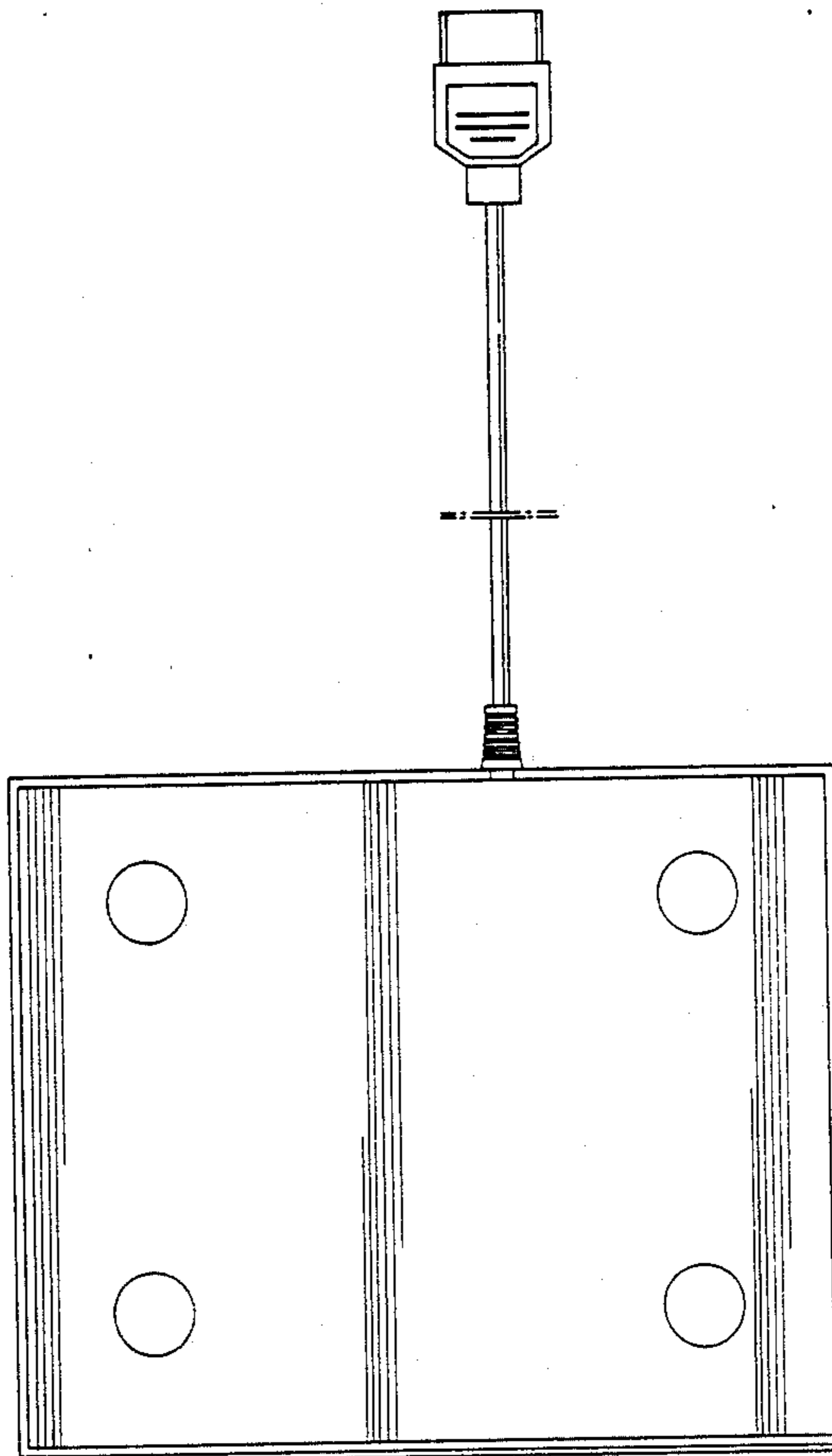


FIG. 4

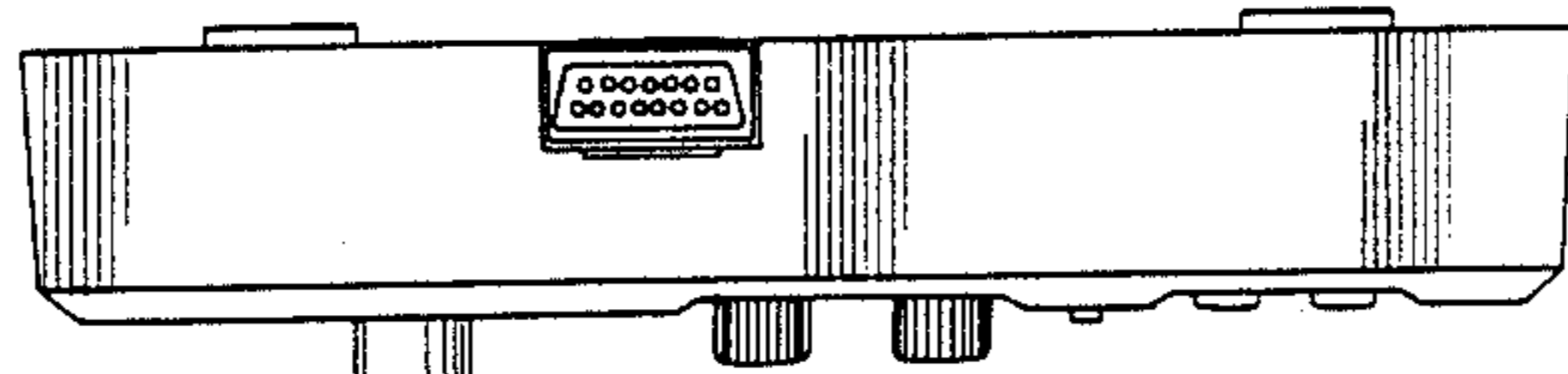


FIG. 5

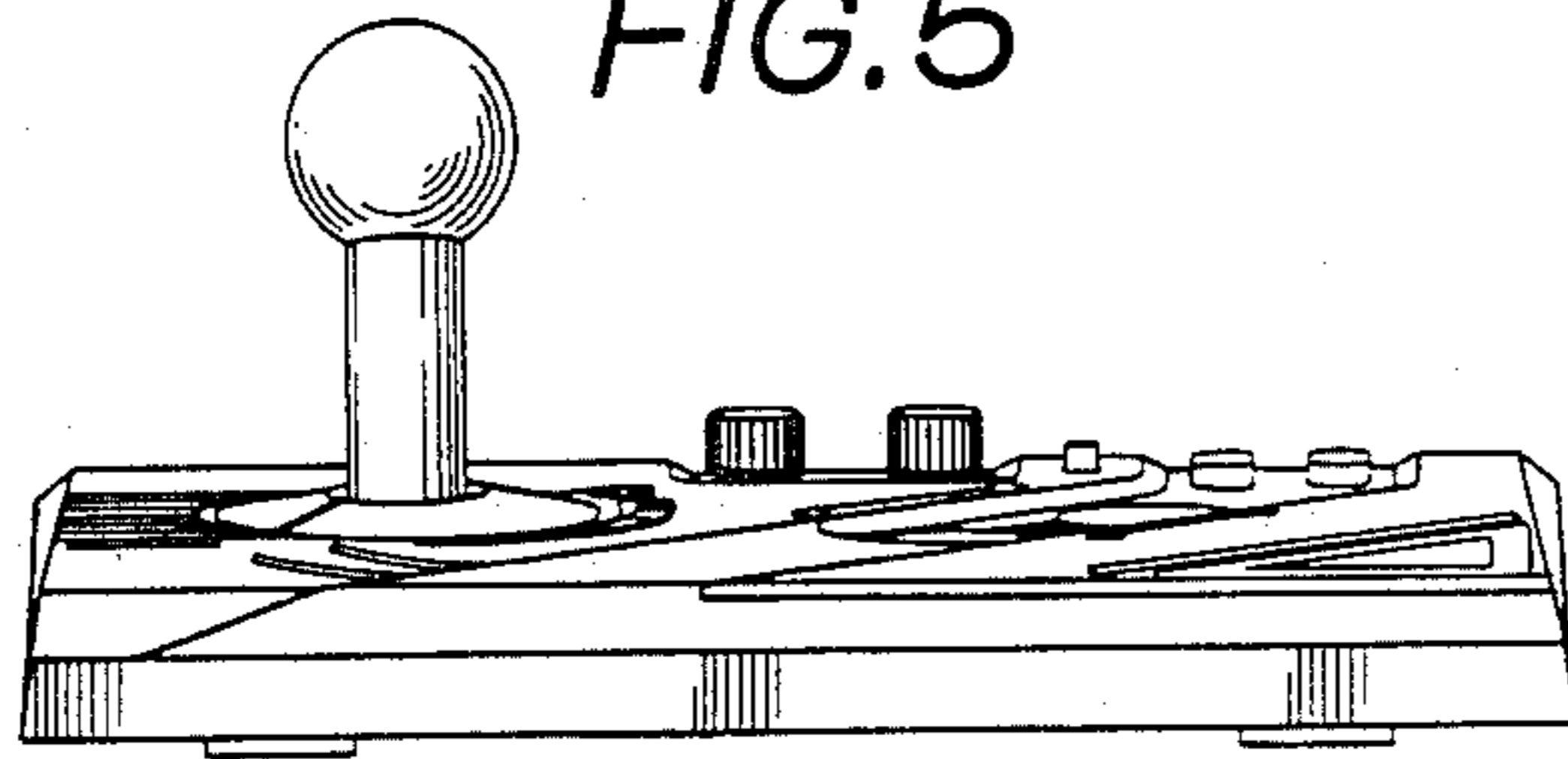


FIG. 6

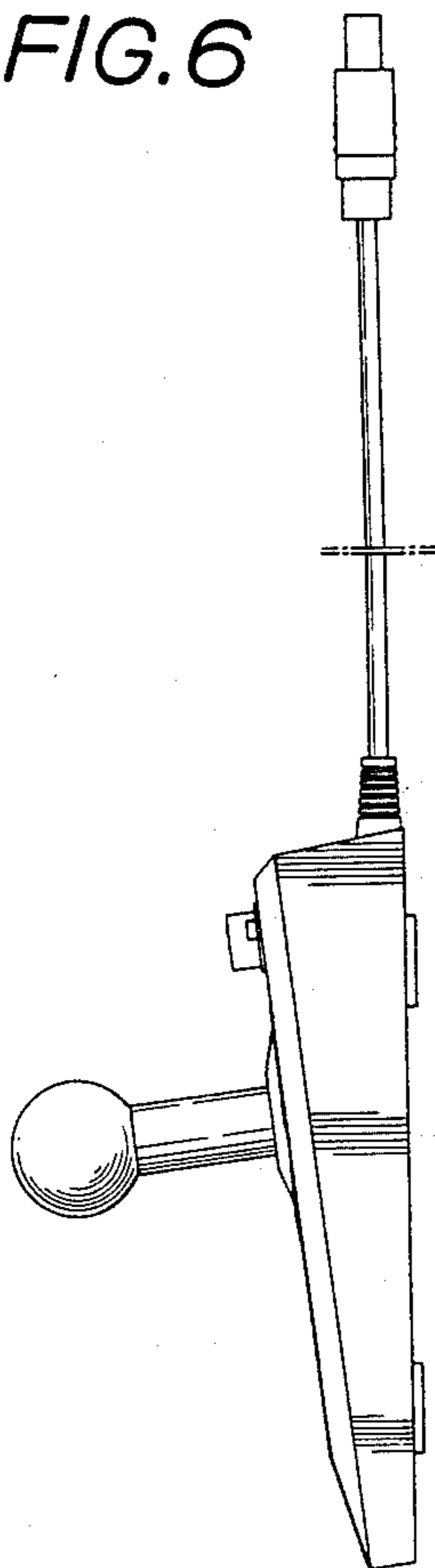


FIG. 7

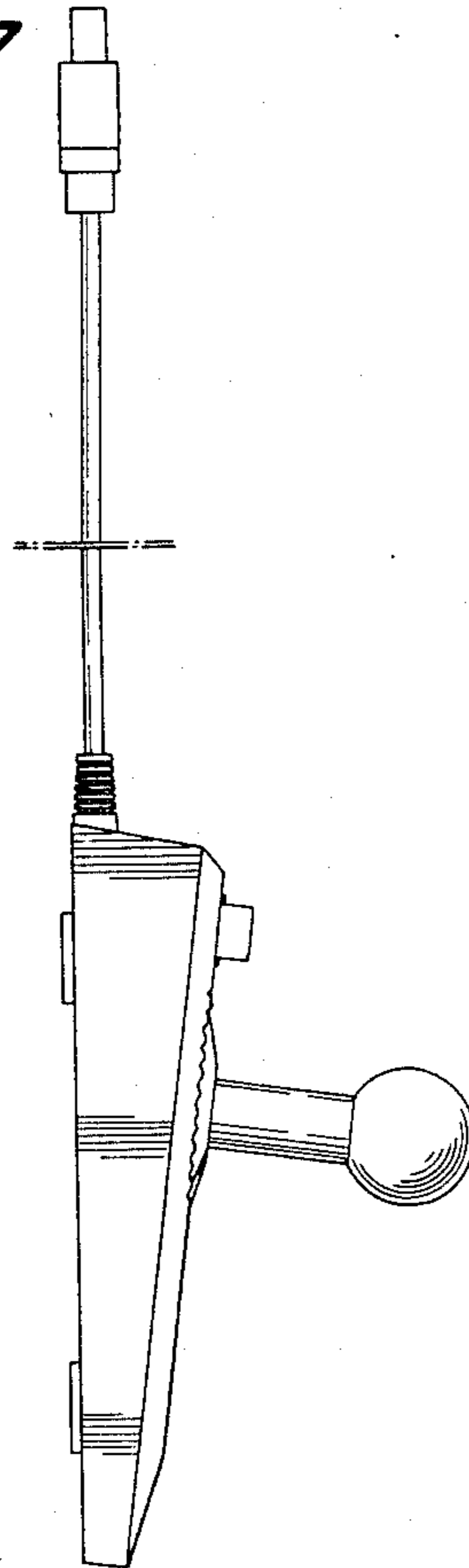


FIG. 8

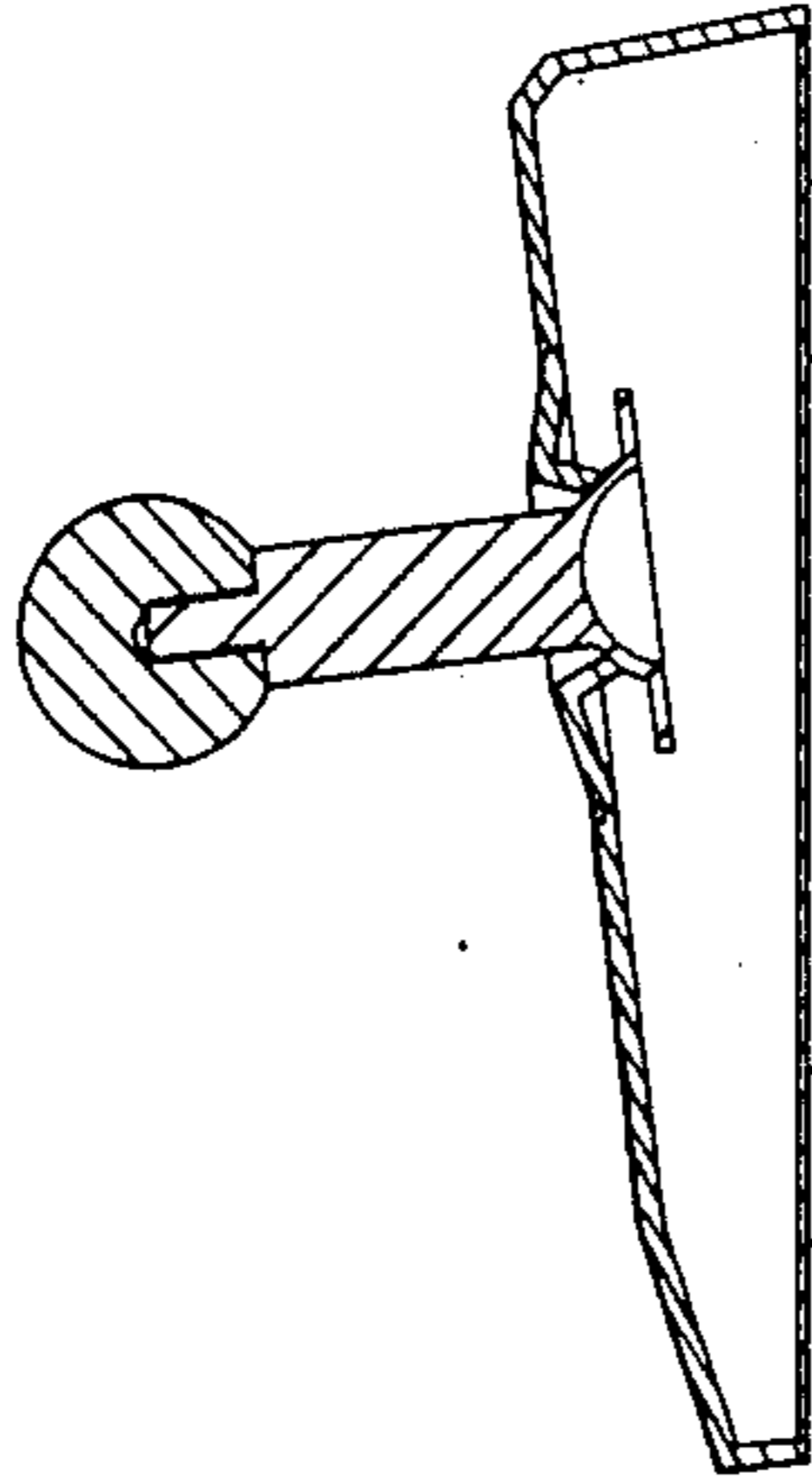


FIG. 9

