

United States Patent [19]

Masaki et al.

[11] Patent Number: **Des. 297,944**

[45] Date of Patent: **** Oct. 4, 1988**

[54] **ELECTROPHOTOGRAPHIC COPIER**

[75] Inventors: **Nobuo Masaki, Kawasaki; Eiko Sekine, Yokohama, both of Japan**

[73] Assignee: **Canon Kabushiki Kaisha, Tokyo, Japan**

[**] Term: **14 Years**

[21] Appl. No.: **809,868**

[22] Filed: **Dec. 17, 1985**

[30] Foreign Application Priority Data

Jun. 24, 1985 [JP] Japan 60-26762

[52] U.S. Cl. **D16/31**

[58] Field of Search **D16/27-32;**
355/3 R, 3 SH, 5-11, 14 R, 14 SH, 18-19, 51,
54, 64-65

[56] **References Cited**

U.S. PATENT DOCUMENTS

D. 219,312 11/1970 Lamb D16/31
D. 264,345 5/1982 Masaki D16/31
D. 267,166 10/1984 Masaki D16/31
D. 276,346 11/1984 Masaki D16/31

D. 278,246 4/1985 Masaki D16/31
4,571,053 2/1986 Kasama 355/3 R

OTHER PUBLICATIONS

Canon PC Brochure "Meet the Family" -4/84-copiers on rear cover.

Sharp Z-60 Brochure, 12/84-copier on front.

Primary Examiner—Nelson C. Holtje

Attorney, Agent, or Firm—Fitzpatrick, Cella, Harper & Scinto

[57] **CLAIM**

The ornamental design for an electrophotographic copier, as shown and described.

DESCRIPTION

FIG. 1 is a front elevational view of an electrophotographic copier showing our new design;

FIG. 2 is a rear elevational view thereof;

FIG. 3 is a top plan view thereof;

FIG. 4 is a bottom plan view thereof;

FIG. 5 is a side elevational view thereof as seen from the left of FIG. 1;

FIG. 6 is a side elevational view thereof as seen from the right of FIG. 1 and

FIG. 7 is a perspective view thereof.

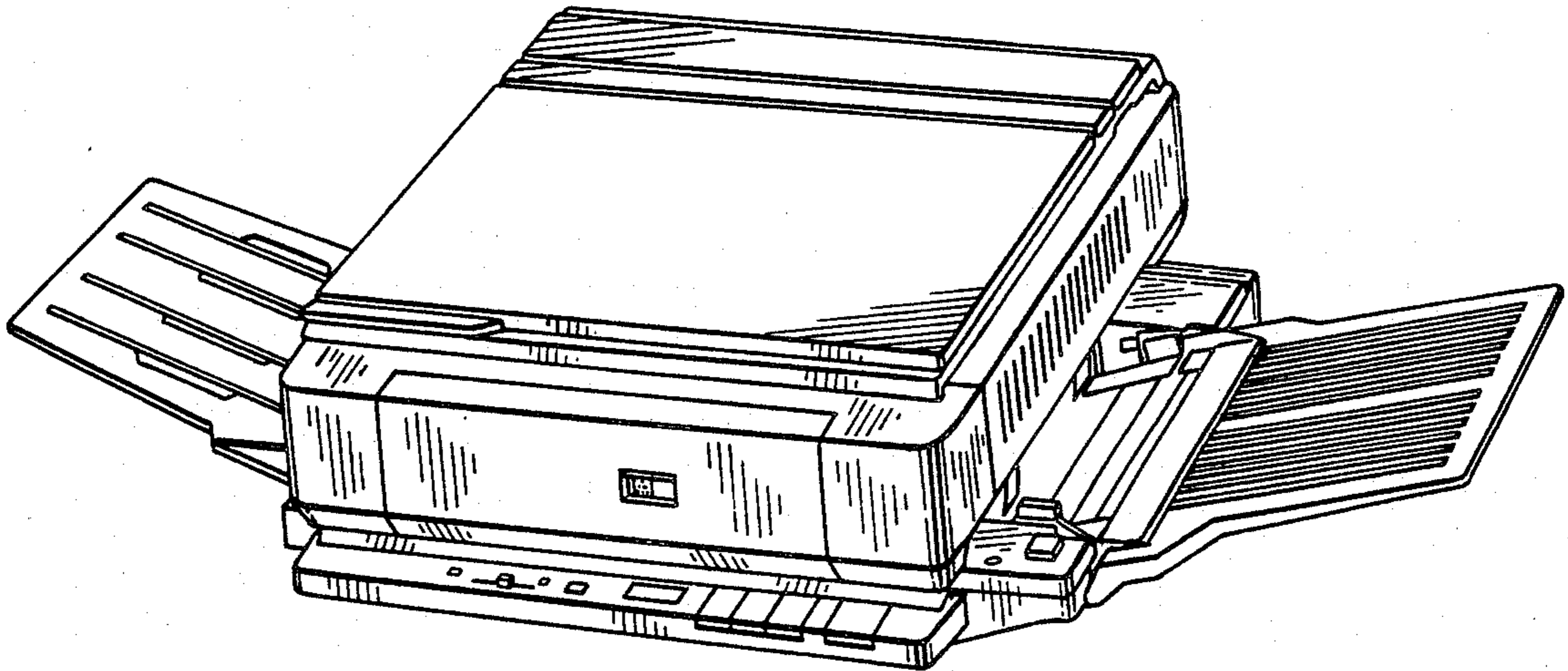


FIG. 1

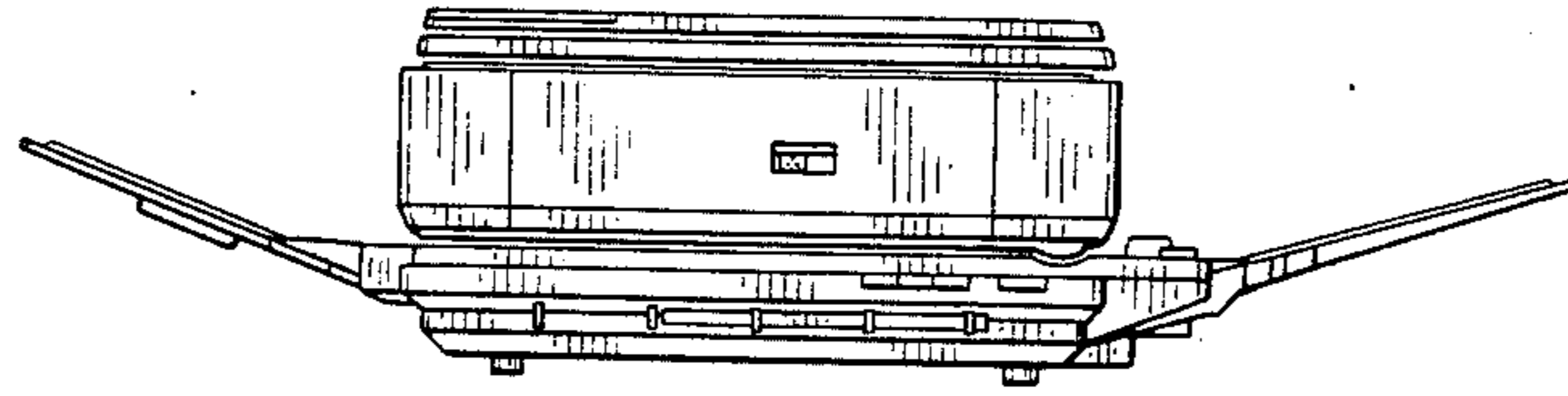


FIG. 2

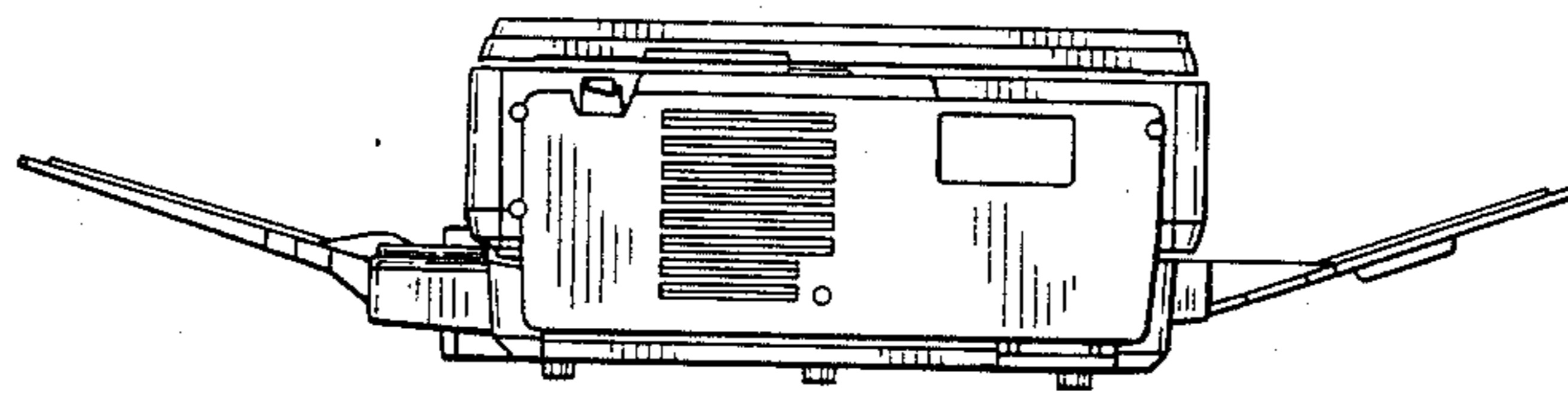


FIG. 3

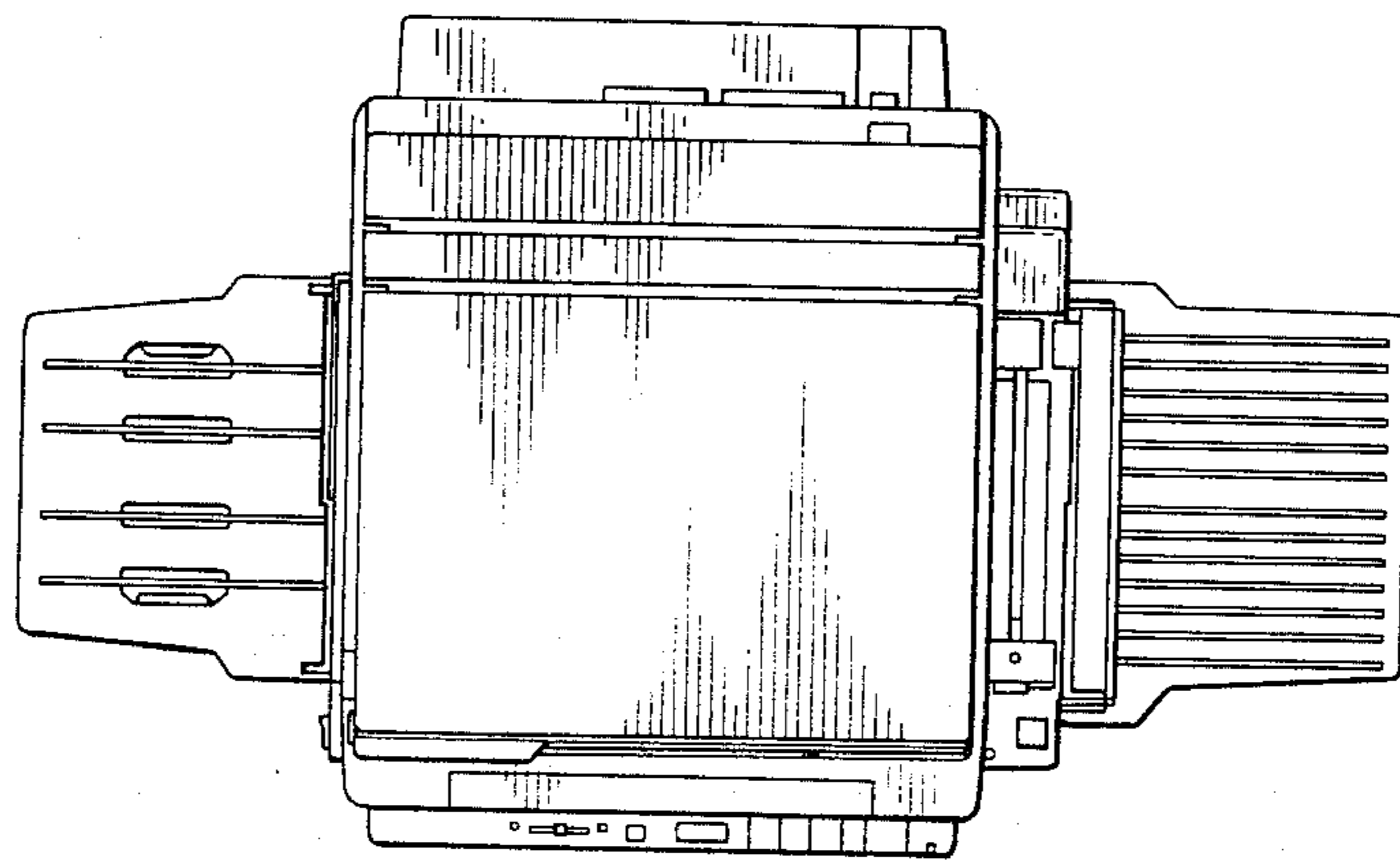


FIG. 4

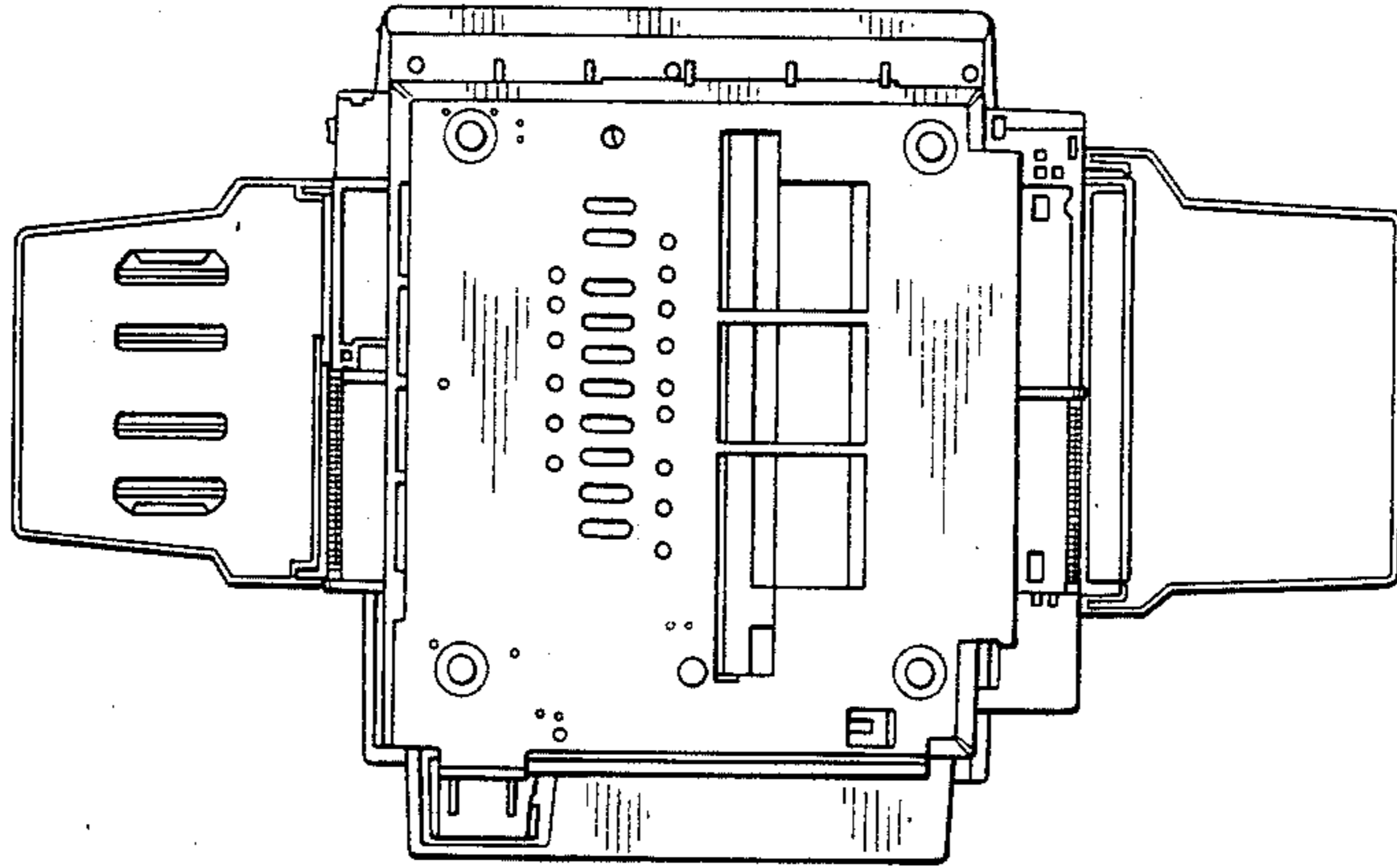


FIG. 5

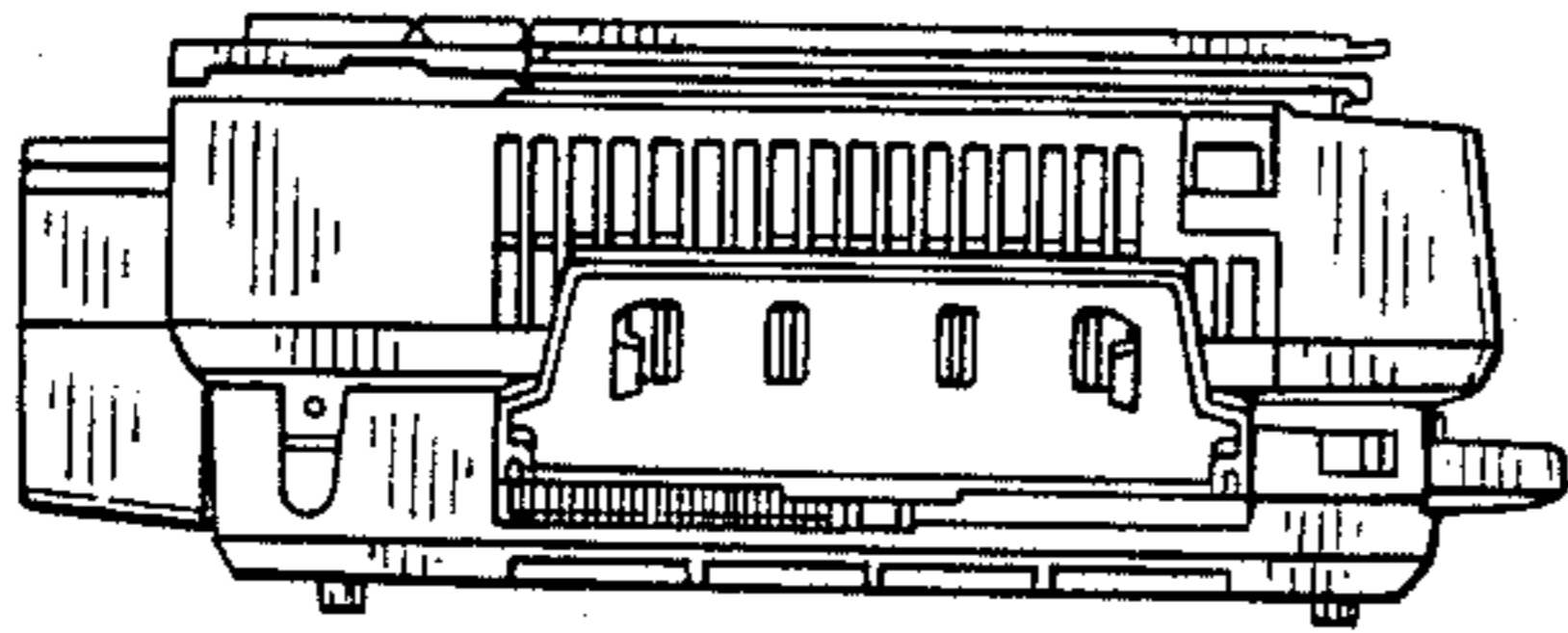


FIG. 6

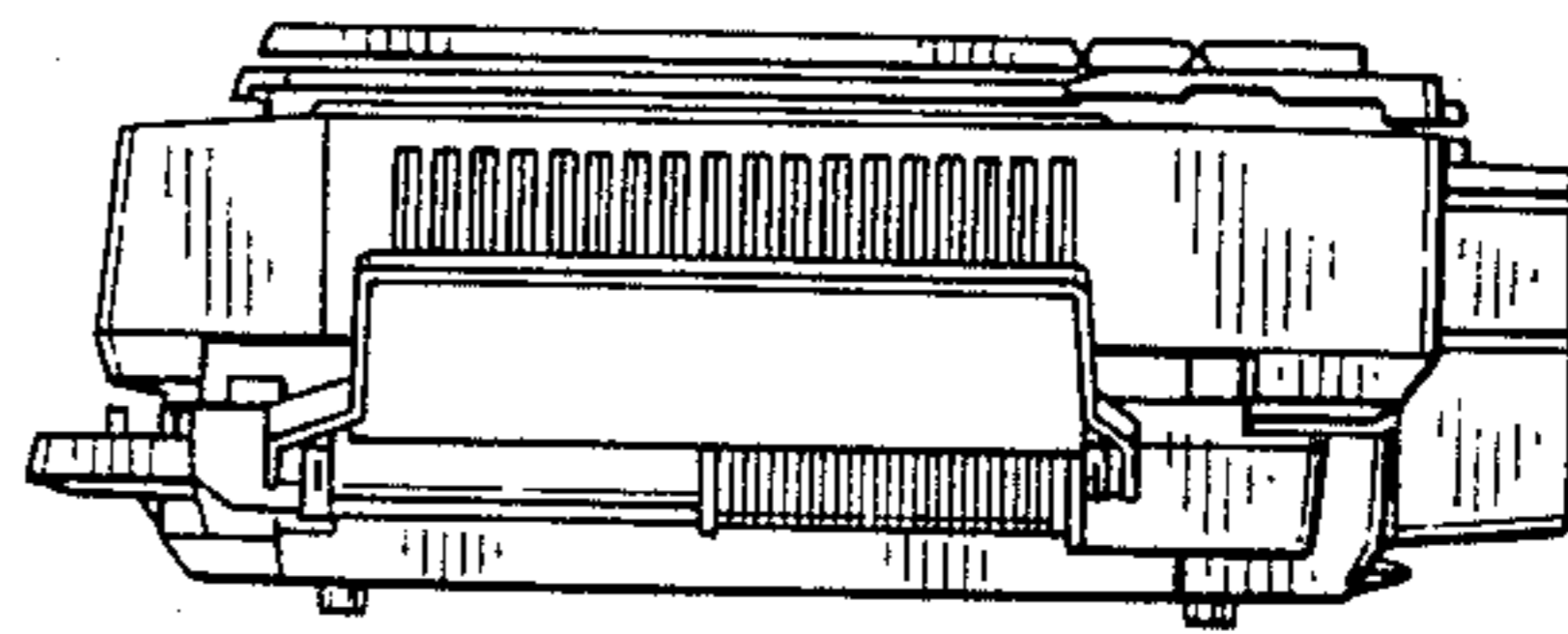


FIG. 7

