

United States Patent [19]

Mattos

[11] Patent Number: **Des. 297,943**

[45] Date of Patent: **** Oct. 4, 1988**

[54] **MOLD LUBRICANT SPRAYING UNIT**

[75] Inventor: **Arthur C. Mattos, Woodbridge, N.J.**

[73] Assignee: **Specialty Products Company, Jersey City, N.J.**

[**] Term: **14 Years**

[21] Appl. No.: **745,126**

[22] Filed: **Jun. 17, 1985**

[52] U.S. Cl. **D15/150; D23/213**

[58] Field of Search **D15/150; D23/18, 213; 425/107; 239/200, 302; 184/6, 6.14**

[56] **References Cited**

U.S. PATENT DOCUMENTS

D. 213,515 3/1969 Yon, Jr. **D15/150**

D. 257,148 9/1980 Morford **D23/18**
D. 284,210 6/1986 Rattray et al. **D23/18**
1,831,342 11/1931 Buskard **D23/18**
4,355,763 10/1982 Brandt **239/302**

Primary Examiner—**B. J. Bullock**
Attorney, Agent, or Firm—**Alan H. Levine**

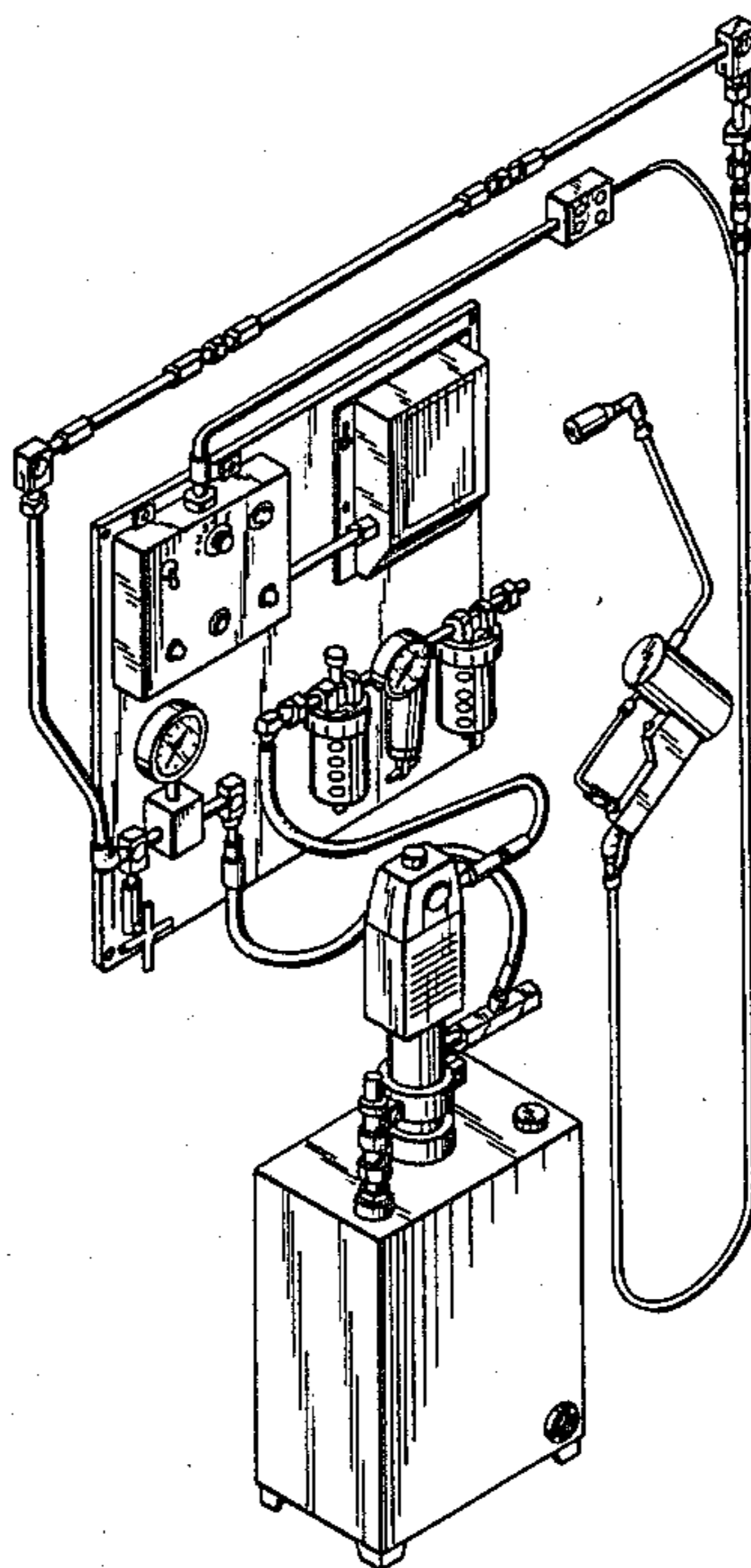
[57] **CLAIM**

The ornamental design for a mold lubricant spraying unit, substantially as shown.

DESCRIPTION

FIG. 1 is a perspective view, from the top, front, and one side, of a mold lubricant spraying unit showing my new design; and

FIG. 2 is a perspective view thereof from the bottom, rear, and other side.



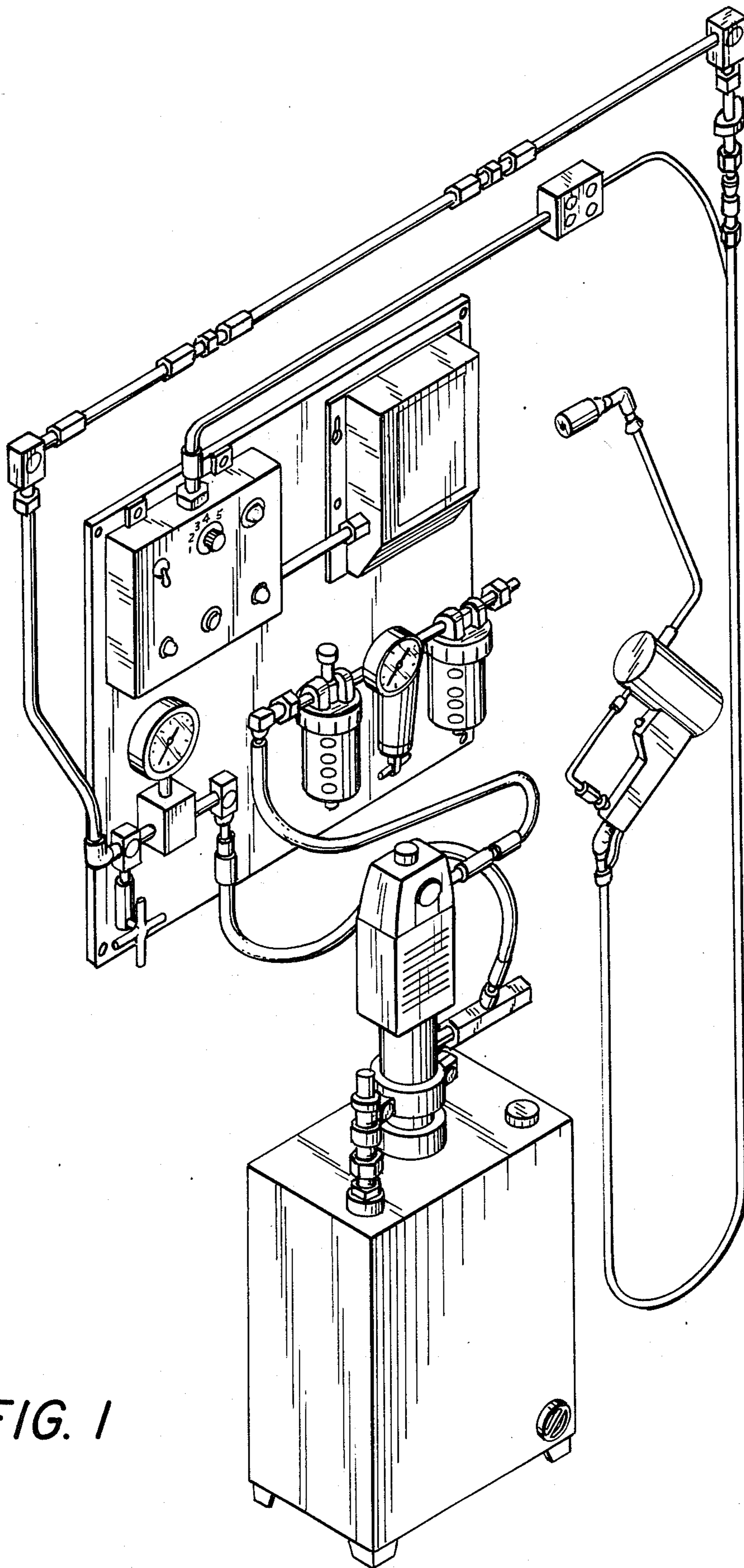


FIG. 1

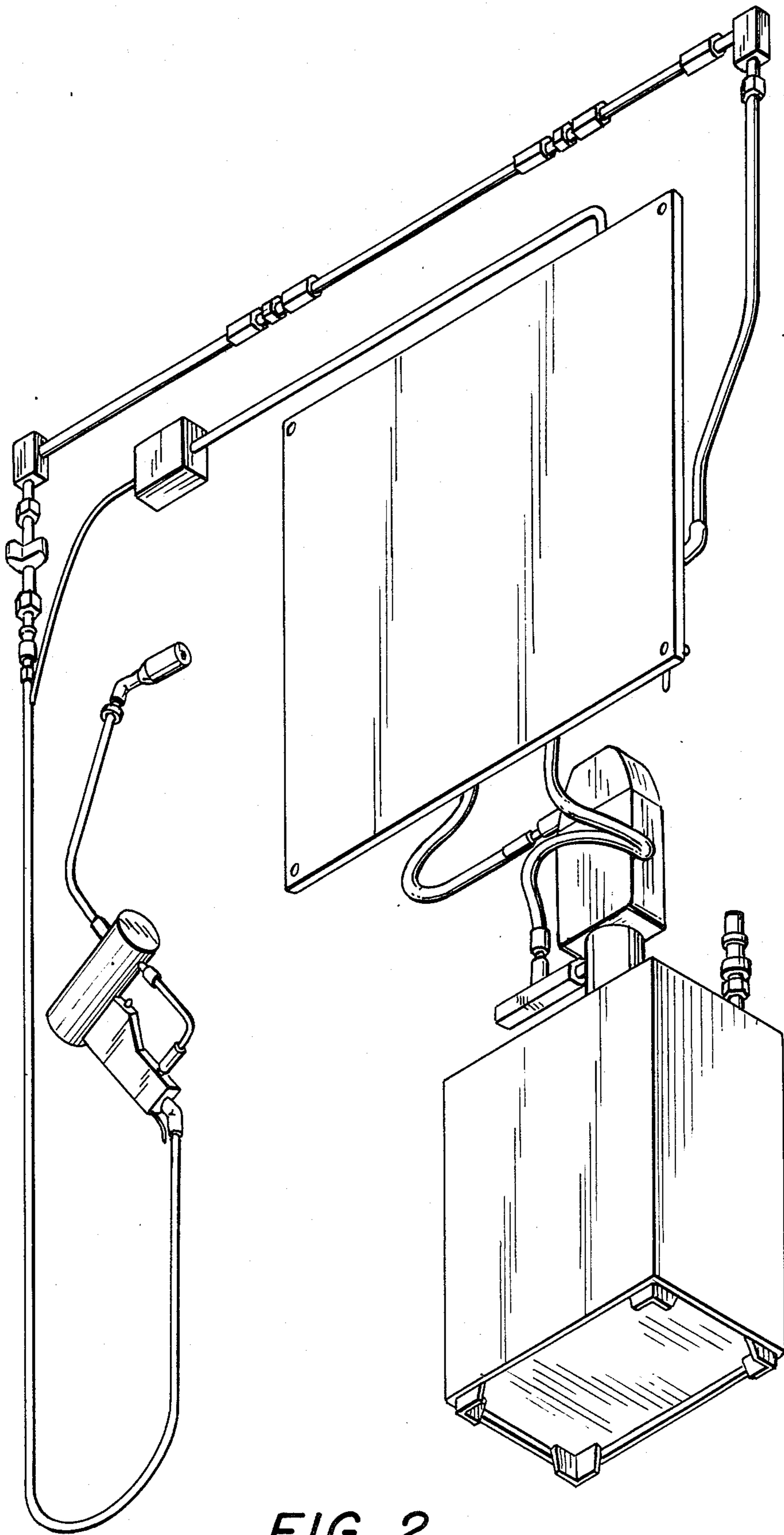


FIG. 2