

[54] **BEARING HOUSING**

4,576,530 3/1986 Haas et al. 409/221

[75] **Inventor: John Somarakis, Vancouver, Wash.**

[73] **Assignee: Somarakis, Inc., Vancouver, Wash.**

[**] **Term: 14 Years**

[21] **Appl. No.: 926,236**

[22] **Filed: Nov. 3, 1986**

[52] **U.S. Cl. D15/143**

[58] **Field of Search D15/7, 138, 143;
417/68; 384/266, 267, 434, 477**

[56] **References Cited**

U.S. PATENT DOCUMENTS

D. 269,786	7/1983	Ostling	D15/143
2,405,122	8/1946	Firth	384/477
2,812,224	11/1957	Richmond	384/477
2,884,285	4/1959	King, Jr.	384/477
3,476,450	11/1969	Grange et al.	384/434
3,484,142	12/1969	Nishiwaki	384/434
4,199,202	4/1980	Maeda	384/434

OTHER PUBLICATIONS

Product Engineering, 2/19/62, p. 8 "Link-Belts Flex Block Sleeve Bearing".

Primary Examiner—Wallace R. Burke

Assistant Examiner—Ruth Takemoto

Attorney, Agent, or Firm—W. Scott Carson

[57] **CLAIM**

The ornamental design for a bearing housing, as shown and described.

DESCRIPTION

FIG. 1 is a top, front and side perspective view of a bearing housing showing my new design.

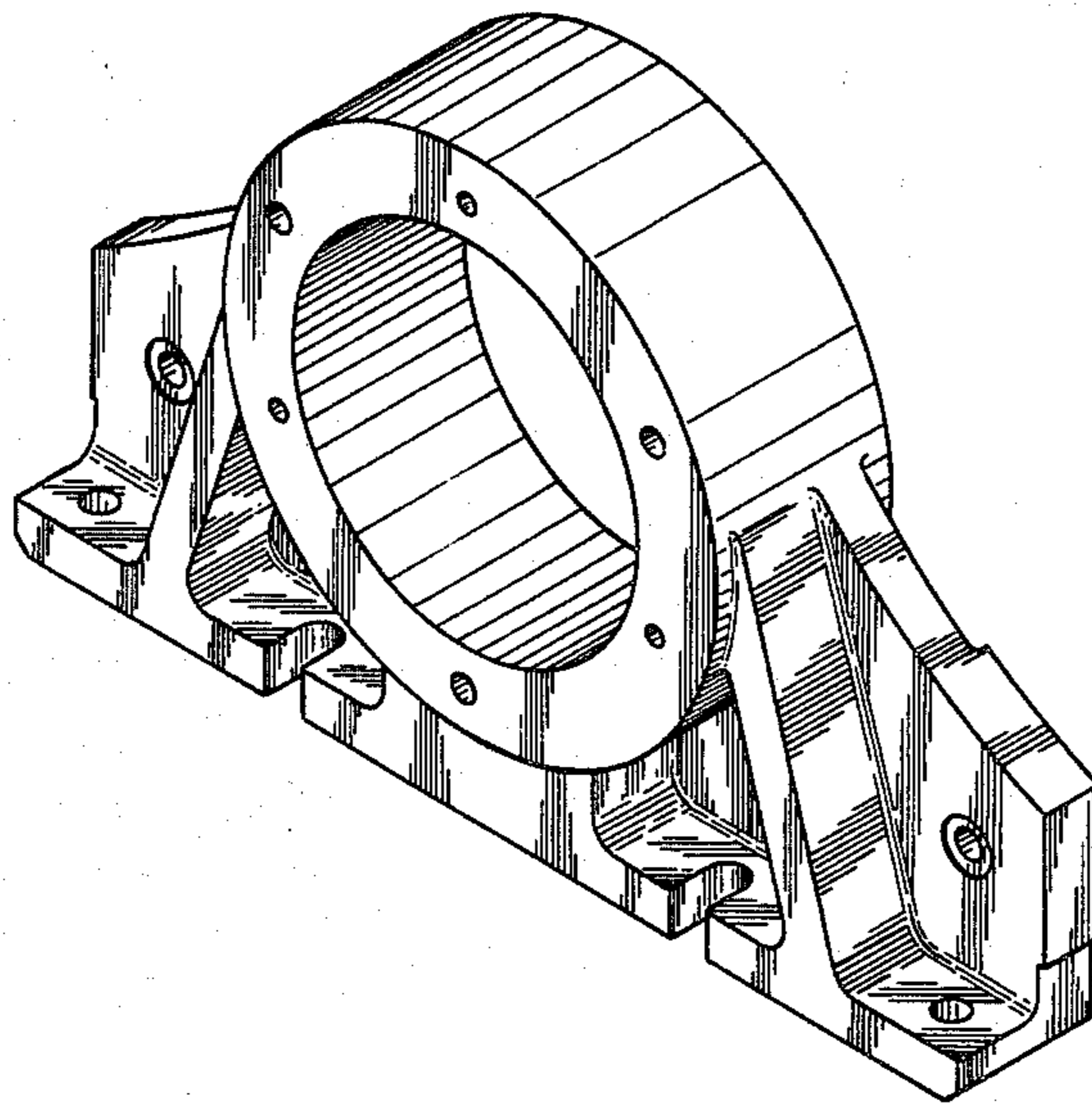
FIG. 2 is a front elevational view thereof;

FIG. 3 is a left side elevational view thereof, the right side being a mirror image;

FIG. 4 is a rear elevational view thereof;

FIG. 5 is a top plan view thereof; and

FIG. 6 is a bottom plan view thereof.



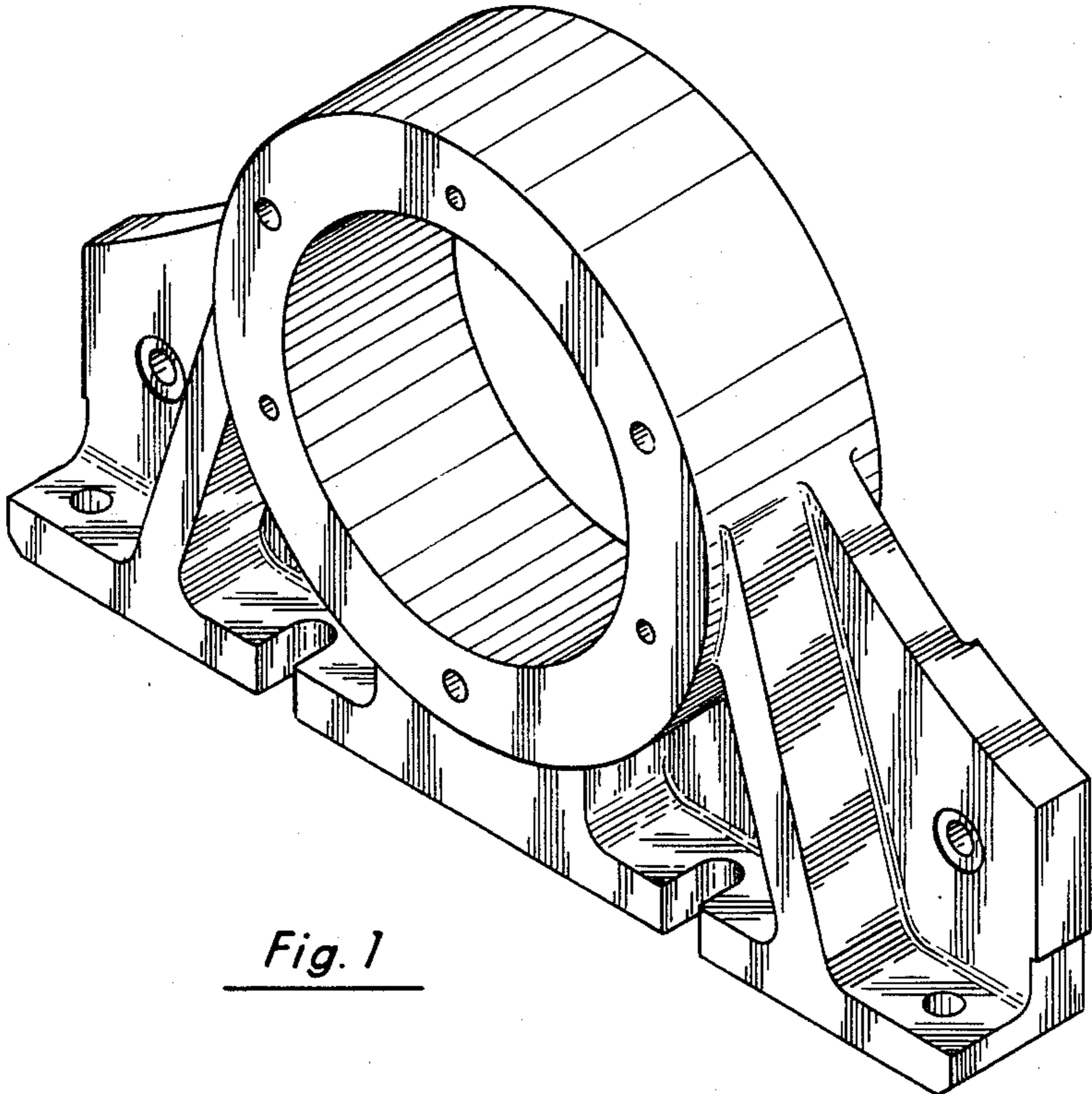


Fig. 1

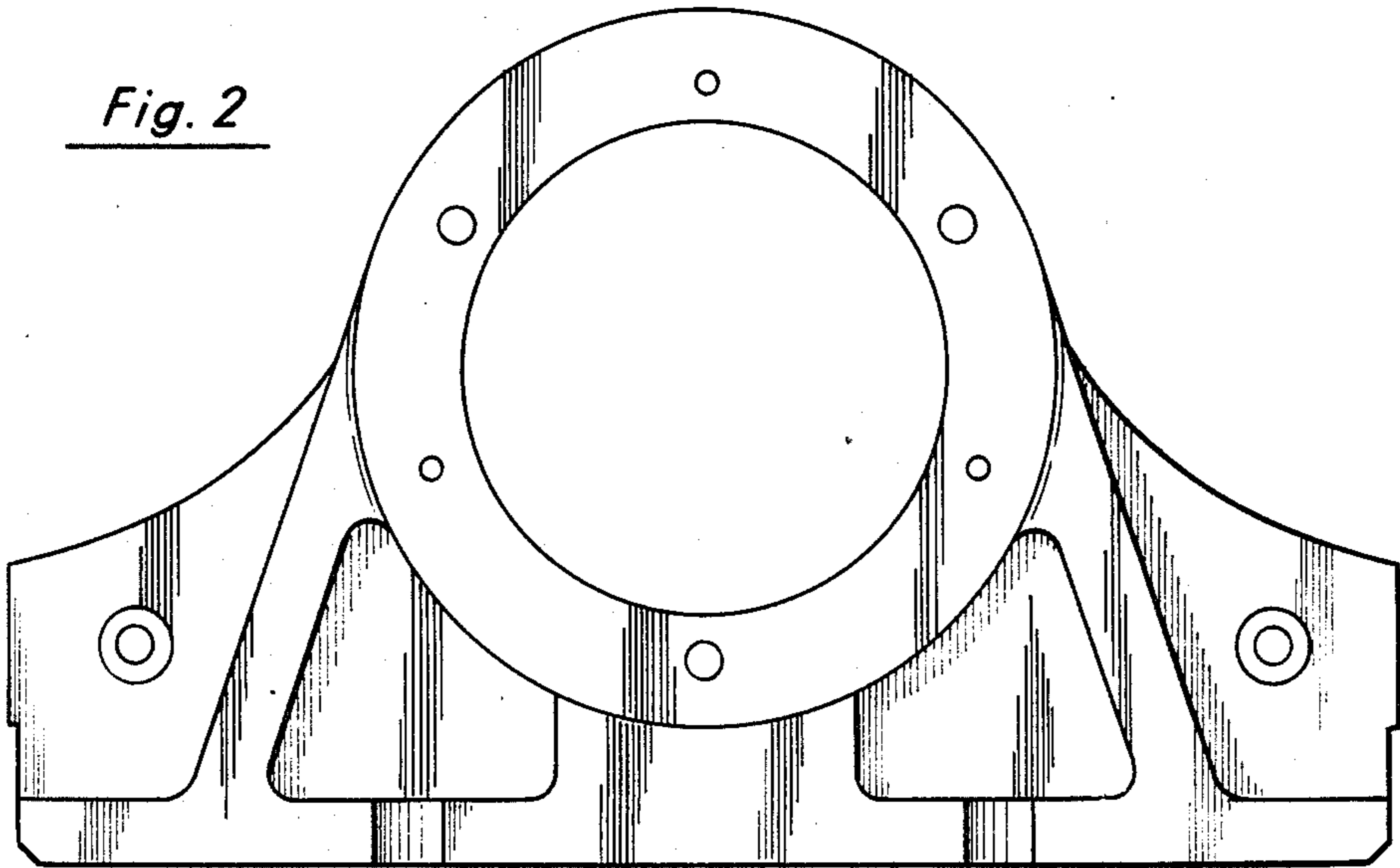


Fig. 2

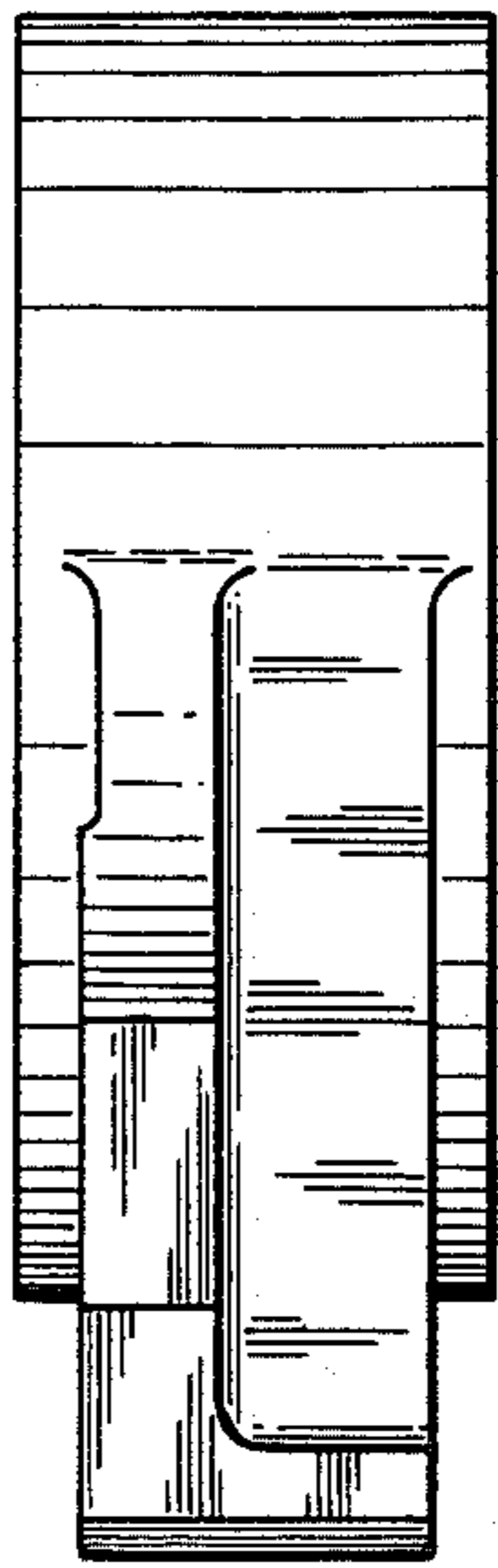


Fig. 3

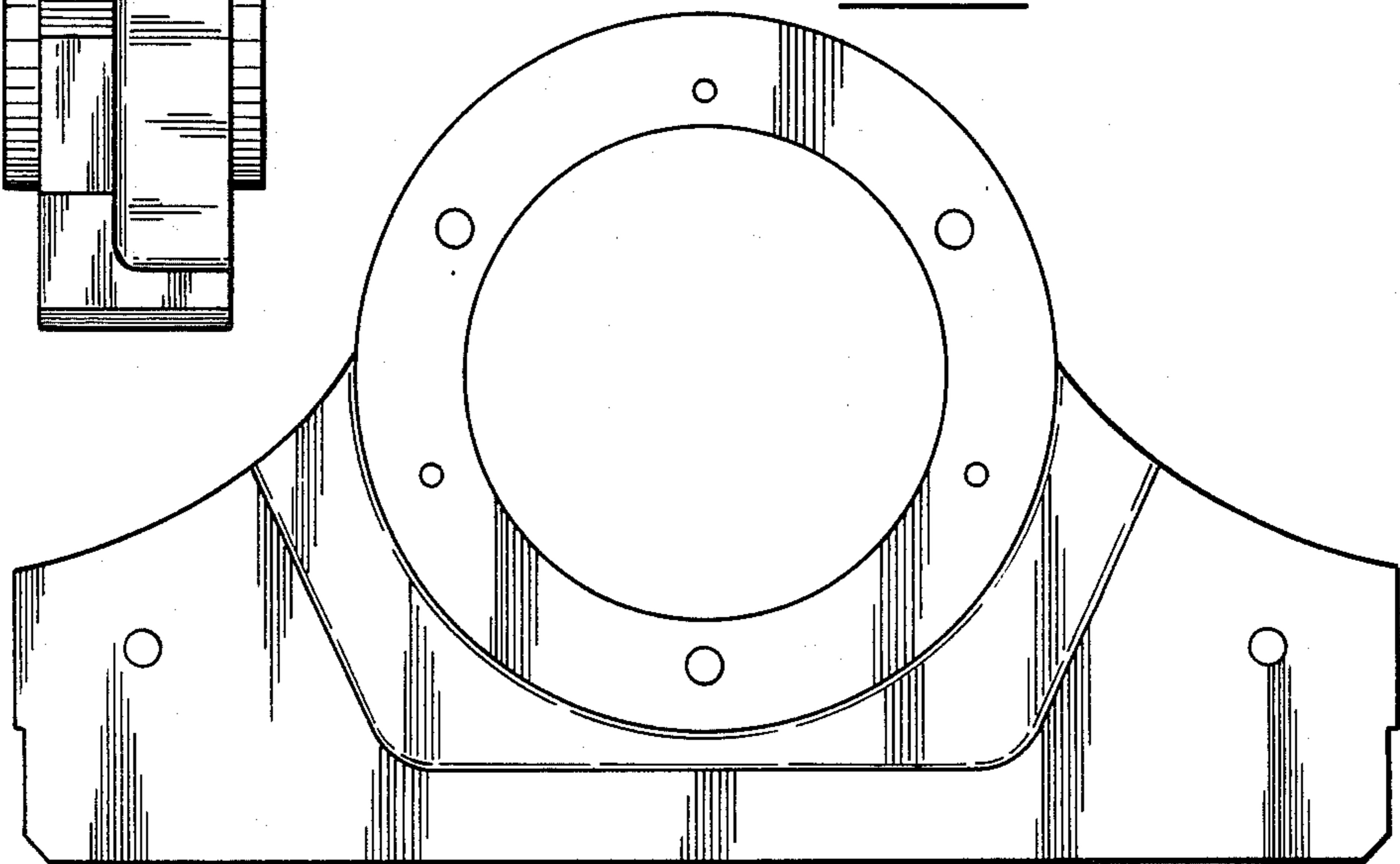


Fig. 4

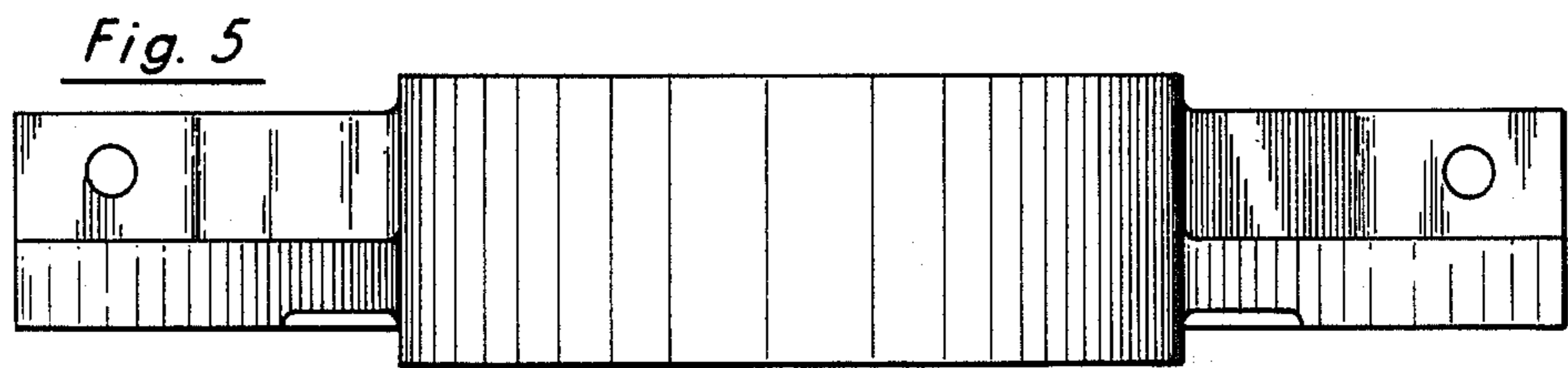


Fig. 5

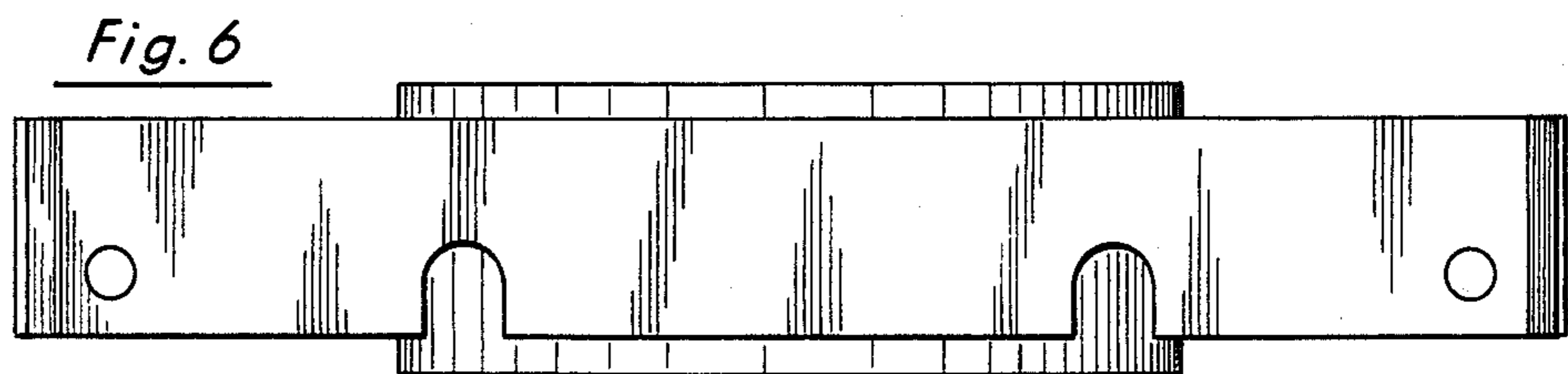


Fig. 6