

[54] **SEWING MACHINE**

[75] **Inventor: Toshiya Sekiguchi, Chofu, Japan**

[73] **Assignee: Tokyo Juki Industrial Co., Ltd.,
Tokyo, Japan**

[**] **Term: 14 Years**

[21] **Appl. No.: 859,722**

[22] **Filed: May 1, 1986**

[52] **U.S. Cl. D15/69**

[58] **Field of Search D15/66-77;
112/258-260**

[56] **References Cited**

U.S. PATENT DOCUMENTS

- D. 217,306 4/1970 Grange D15/69
- D. 254,135 2/1980 Felix et al. D15/69

Primary Examiner—Melvin B. Feifer
Attorney, Agent, or Firm—Abelman Frayne Rezac & Schwab

[57] **CLAIM**

The ornamental design for a sewing machine, as shown.

DESCRIPTION

FIG. 1 is a front elevation of the sewing machine showing my new design;
FIG. 2 is a rear elevation thereof;
FIG. 3 is a plan view thereof;
FIG. 4 is an underside plan view thereof;
FIG. 5 is an end elevation thereof taken from the left-hand side of FIG. 1;
FIG. 6 is an end elevation thereof taken from the right-hand side of FIG. 1; and,
FIG. 7 is a perspective view thereof.

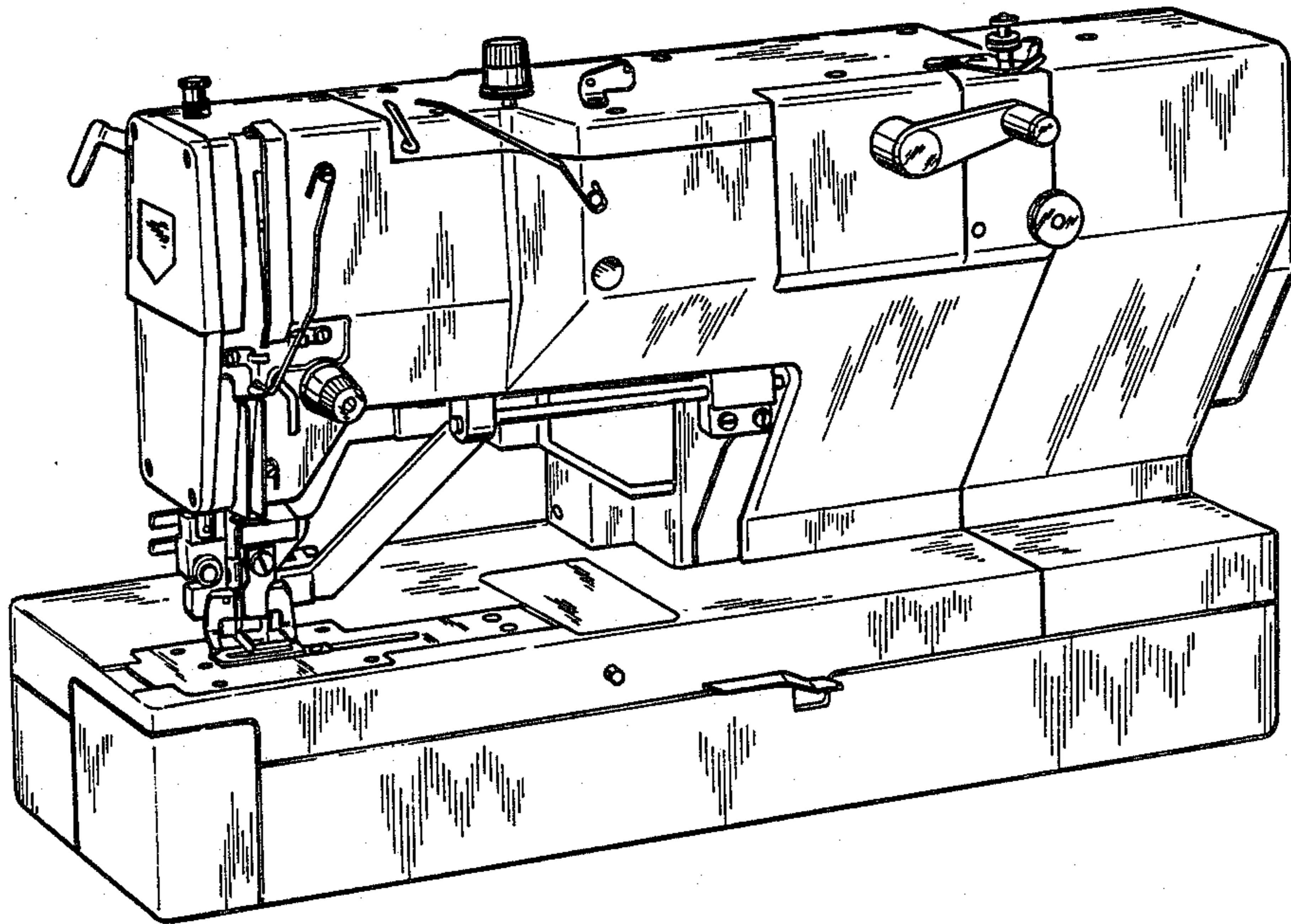


FIG. 1

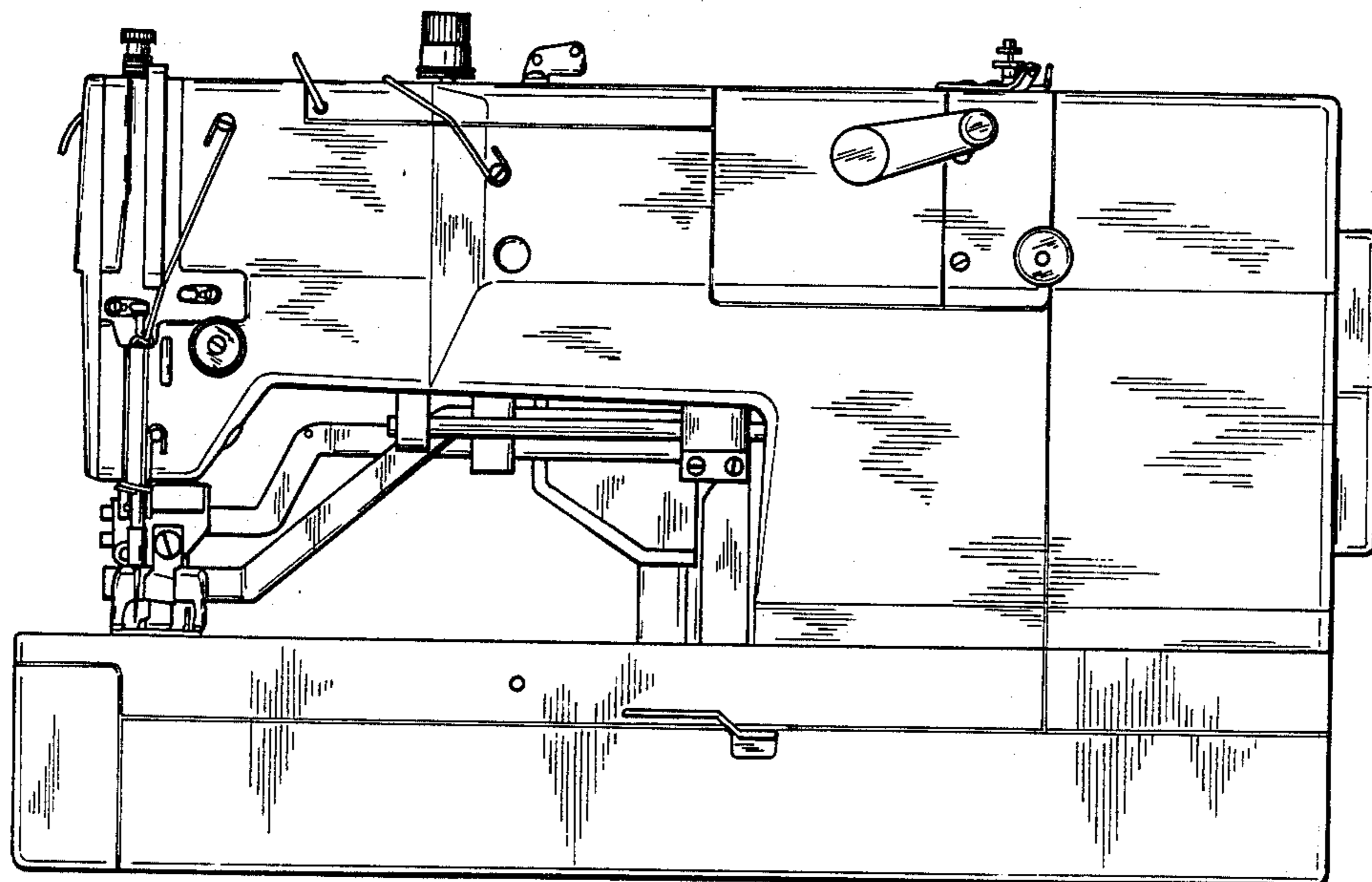


FIG. 2

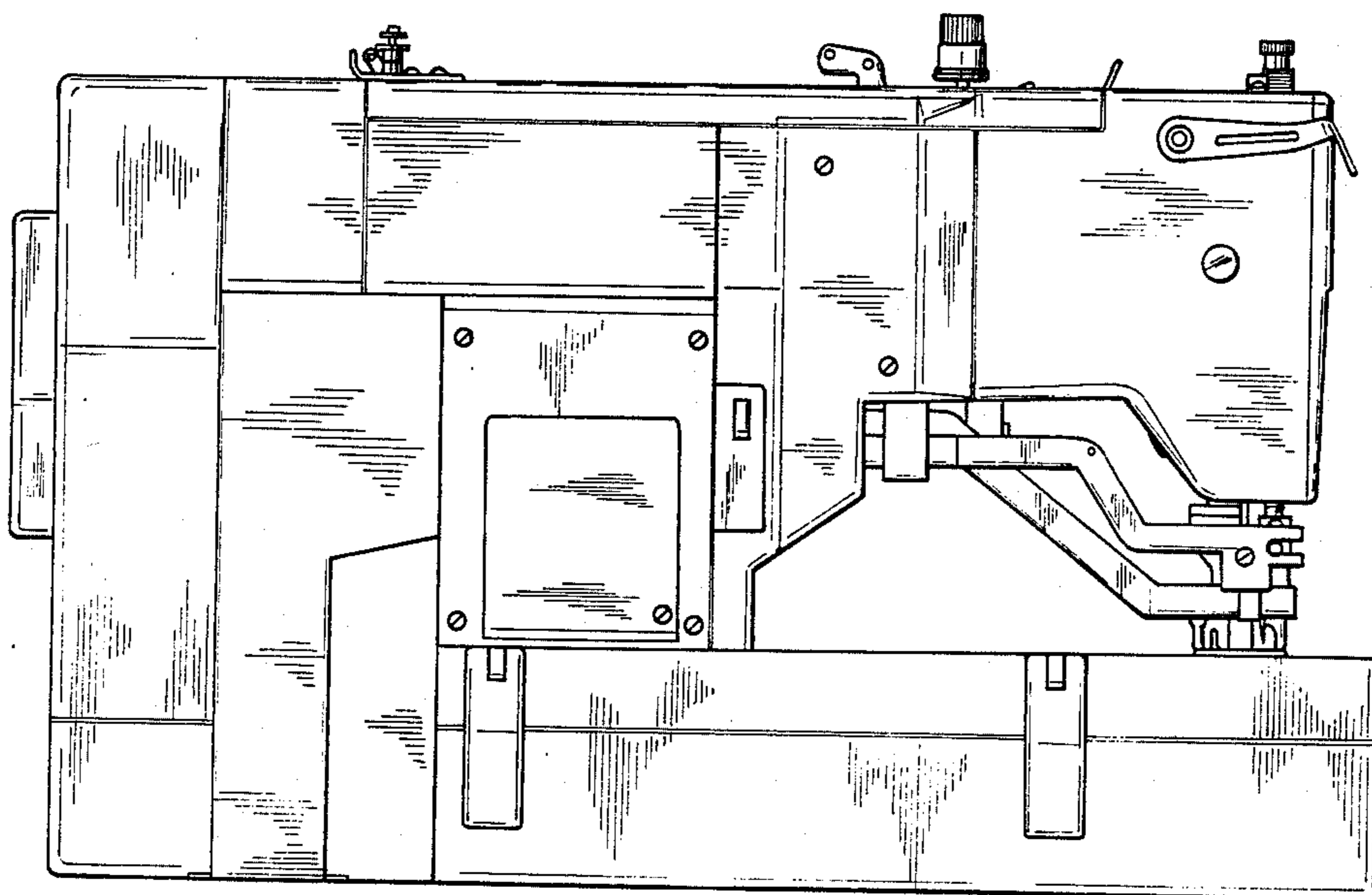


FIG. 3

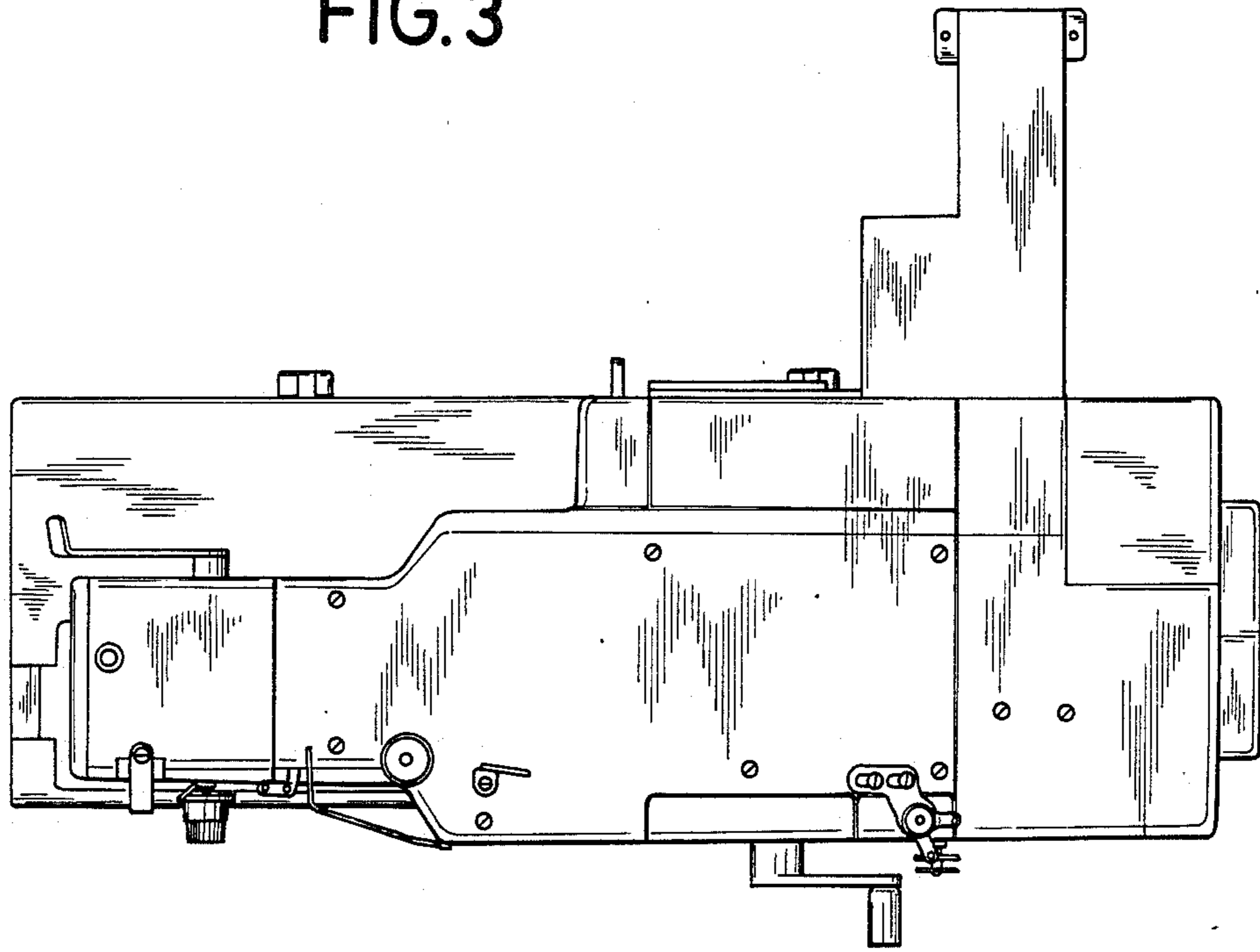


FIG. 4

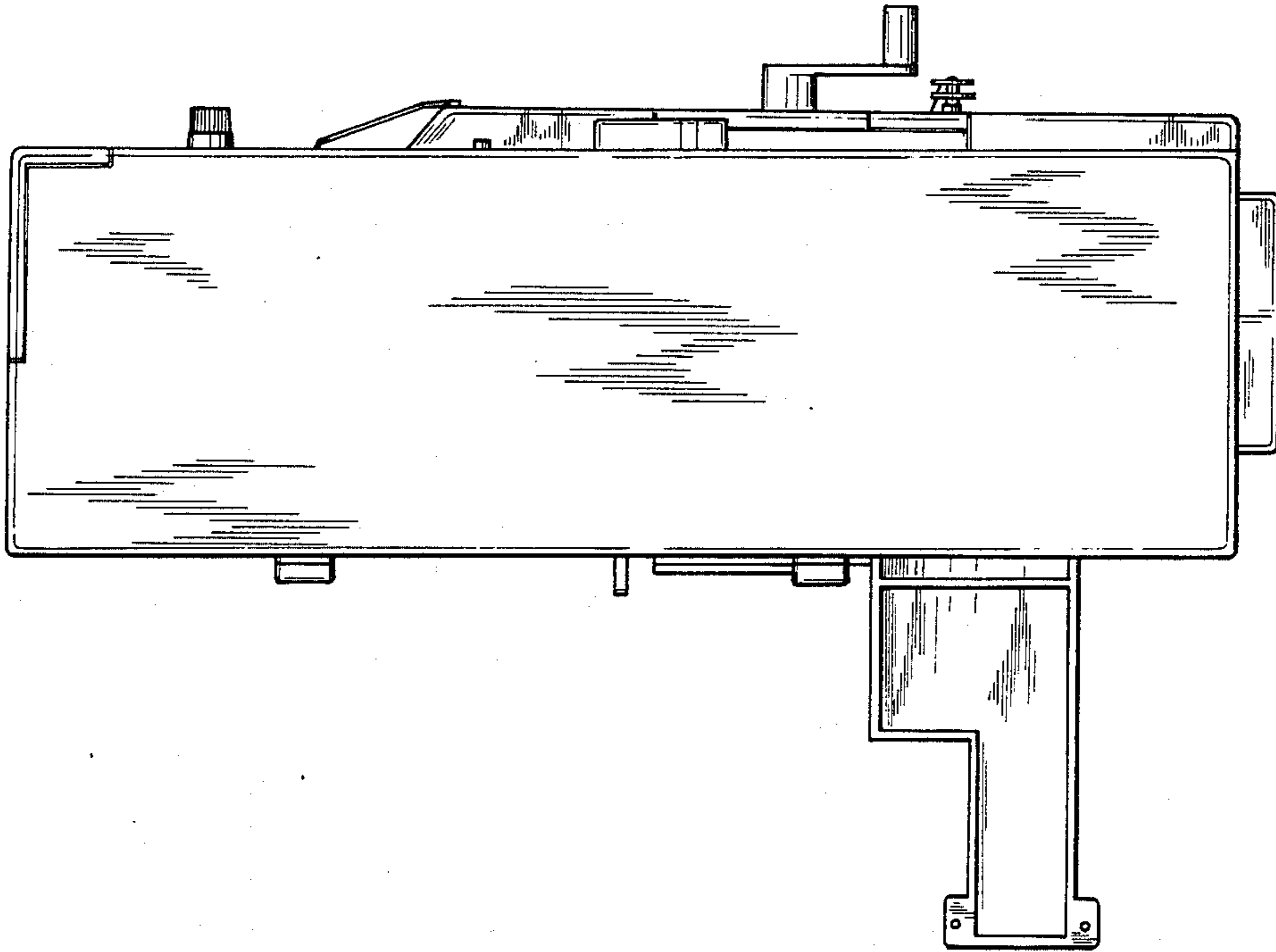


FIG. 5

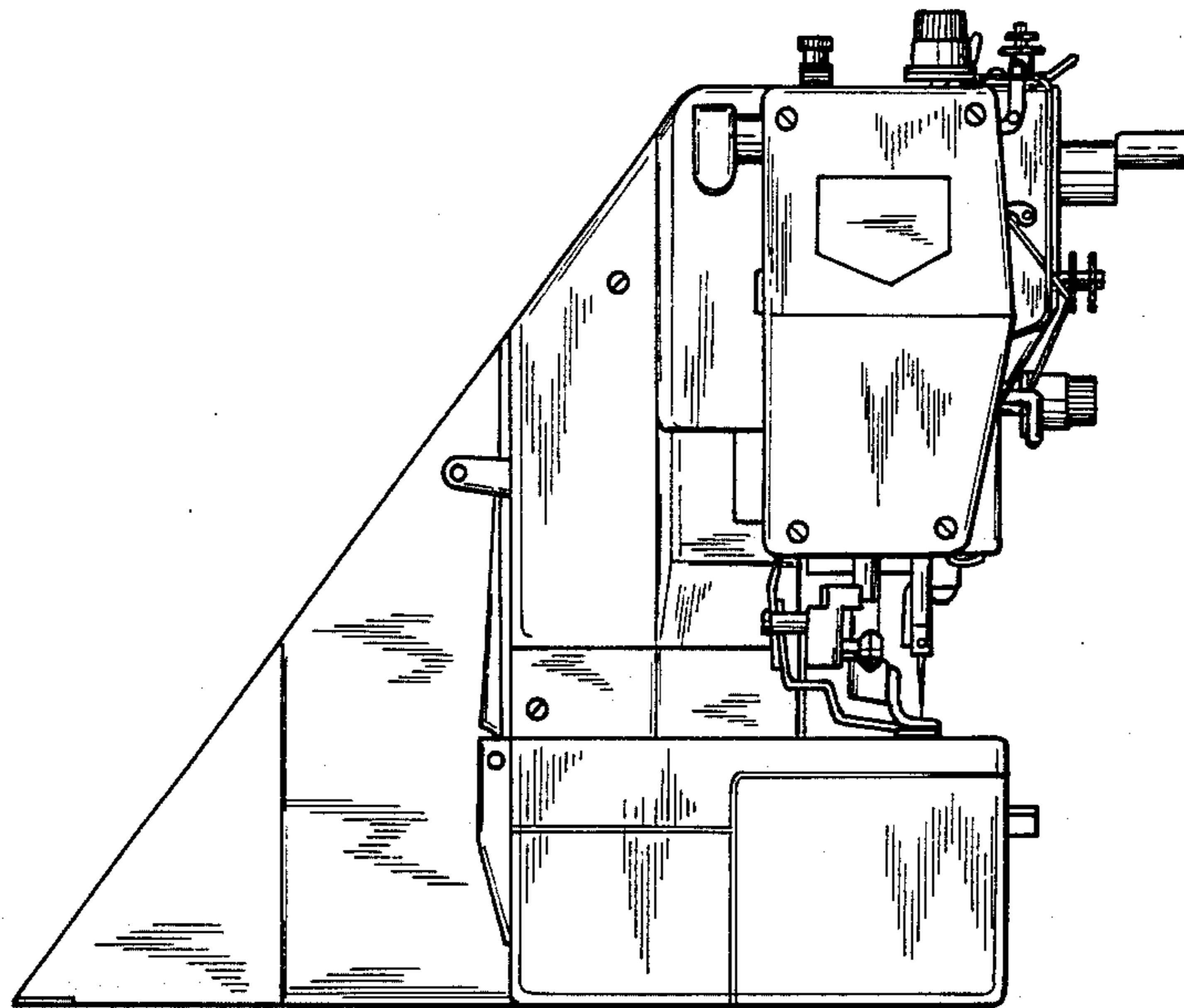


FIG. 6

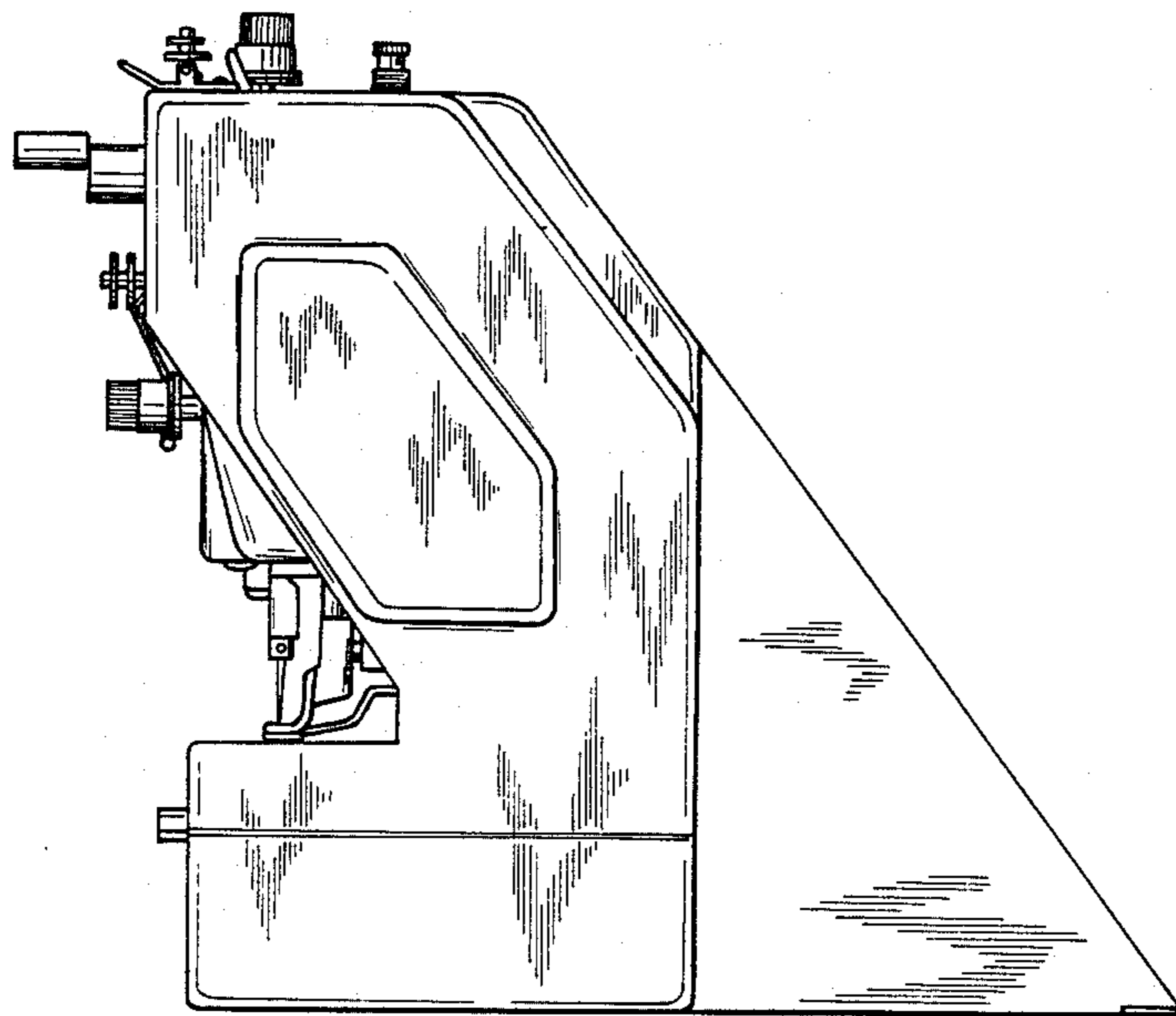


FIG. 7

