

[54] AUDIO CASSETTE RECORDER AND TRANSCRIBER

[75] Inventors: Akira Osanai, Hachioji; Toshikazu Kato, Hino; Yasuo Hattori, Hachioji, all of Japan

[73] Assignee: Olympus Optical Co., Ltd., Japan

[**] Term: 14 Years

[21] Appl. No.: 912,810

[22] Filed: Sep. 26, 1986

[52] U.S. Cl. D14/3

[58] Field of Search D20/1, 2, 3, 4, 5, 6, D20/99; 360/137; 346/134

[56] References Cited

U.S. PATENT DOCUMENTS

D. 199,189	9/1964	Bloom	D14/3
D. 231,471	4/1974	Dietrich	D14/3
D. 277,473	2/1985	Young	D14/3
4,525,761	6/1985	Kobayashi	360/137

OTHER PUBLICATIONS

Best Products 1984/85 catalog, p. 279, item 9, Microcassette Dictation/Transcriber.

B.A. Pargh Company 1985/86 Fall/Winter catalog, p. 241, top right-Model #TRC7100ANE Mini Tape Dictating/Transcriber.

Primary Examiner—Bernard Ansher
Assistant Examiner—Theodore M. Shooman
Attorney, Agent, or Firm—Ostrolenk, Faber, Gerb & Soffen

[57] CLAIM

The ornamental design for an audio cassette recorder and transcriber, as shown and described.

DESCRIPTION

FIG. 1 is a front, right side and top perspective view of an audio cassette recorder and transcriber, showing our new design;

FIG. 2 is a rear, left side and bottom perspective view thereof.

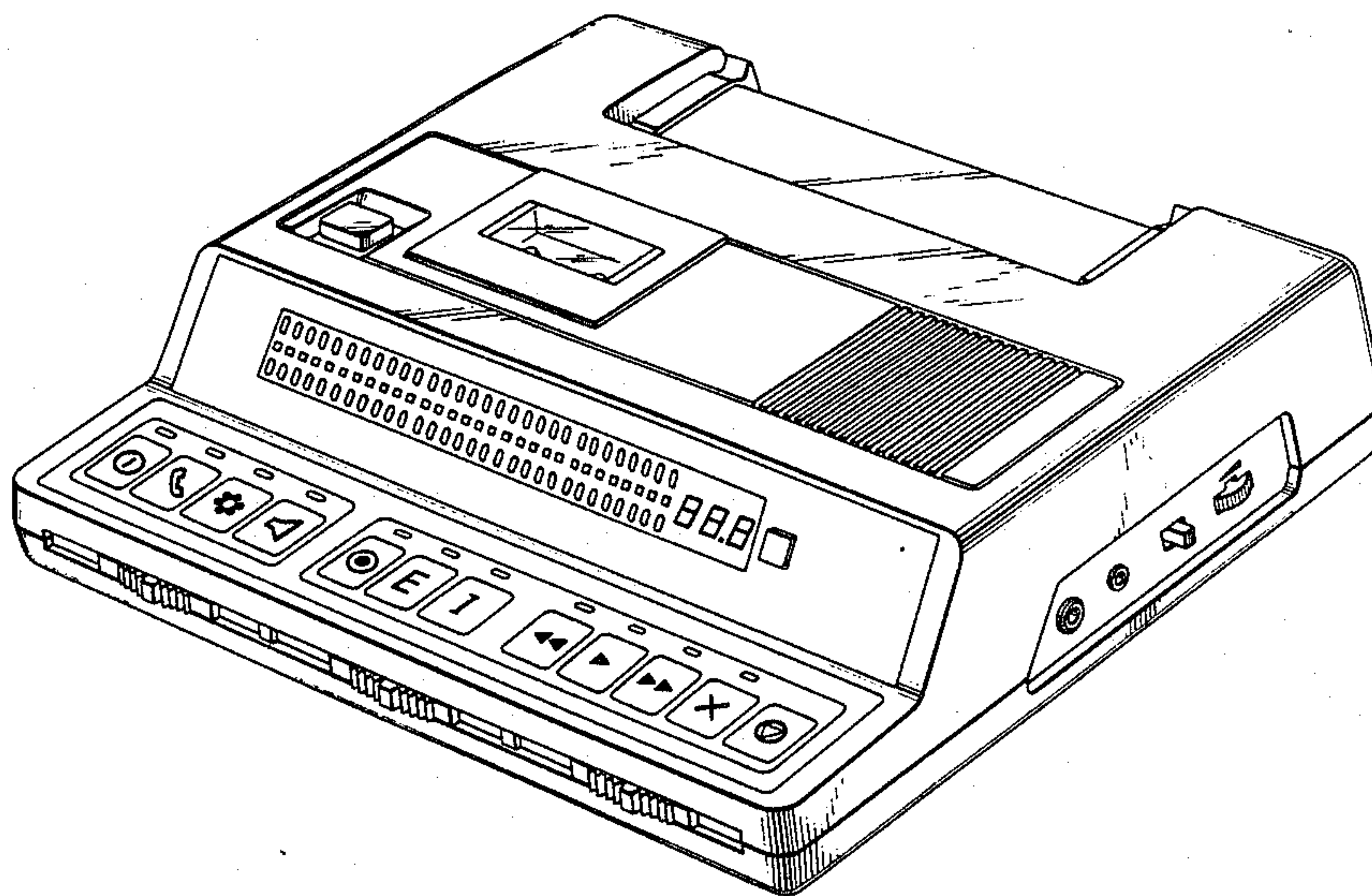


FIG. 1

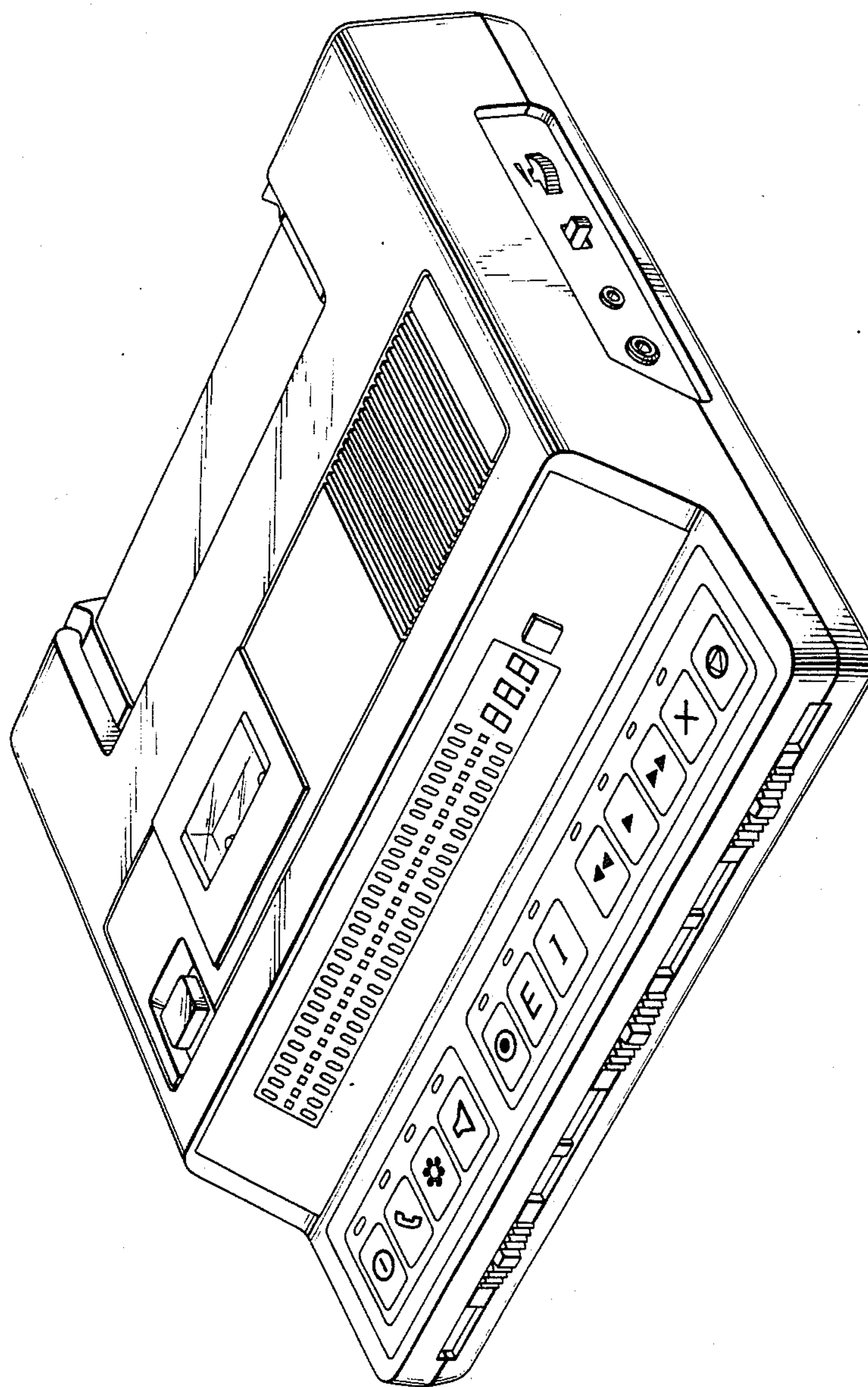


FIG. 2

