

# United States Patent [19]

Kamada

[11] Patent Number: **Des. 297,918**

[45] Date of Patent: **\*\* Oct. 4, 1988**

[54] **ALARM**

[75] Inventor: **Daikichi Kamada**, Higashi-Osaka, Japan

[73] Assignee: **Kamada Signal Appliances Co., Ltd.**, Osaka, Japan

[\*\*] Term: **14 Years**

[21] Appl. No.: **765,952**

[22] Filed: **Aug. 14, 1985**

[52] U.S. Cl. .... **D10/106; D10/120**

[58] Field of Search ..... **D10/104, 106, 116, 119-121; 340/541-547, 551, 552, 556, 565, 566, 577-579, 584, 586, 627, 629, 630**

[56] **References Cited**

**U.S. PATENT DOCUMENTS**

D. 226,137 1/1973 Selsby ..... D10/121

D. 276,709 12/1984 Parker ..... D10/106

*Primary Examiner*—Catherine E. Kemper  
*Attorney, Agent, or Firm*—Koda and Androlia

[57] **CLAIM**

The ornamental design for an alarm, as shown and described.

**DESCRIPTION**

FIG. 1 is a front elevational view of an alarm showing my new design;

FIG. 2 is a bottom plan view thereof;

FIG. 3 is a rear elevational view thereof;

FIG. 4 is a top plan view thereof;

FIG. 5 is a left side elevational view, the right side being a mirror image thereof,

FIG. 6 is a perspective view thereof; and

FIG. 7 is a cross-sectional view thereof, taken along line 7-7 of FIG. 4.

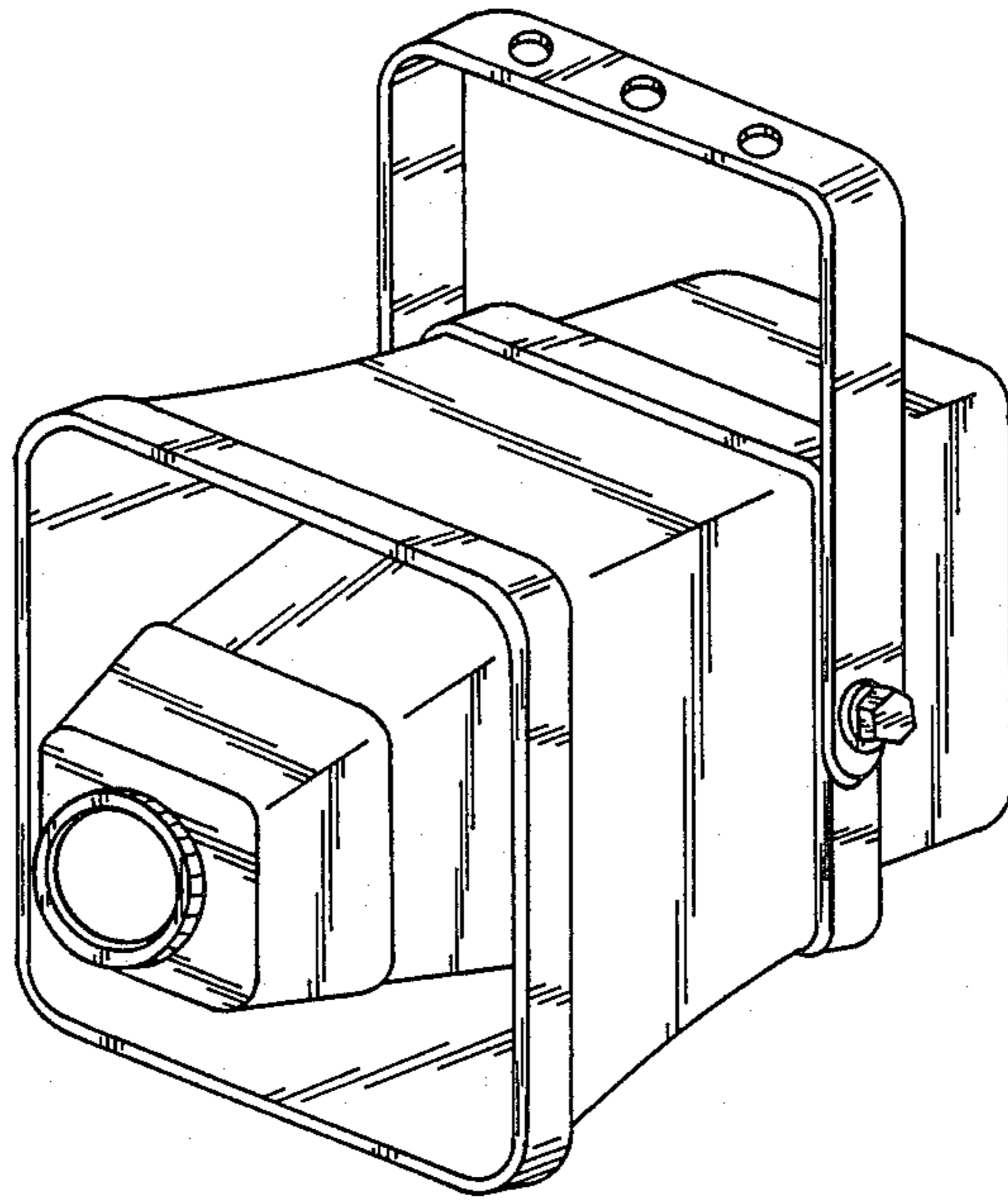


FIG. 1

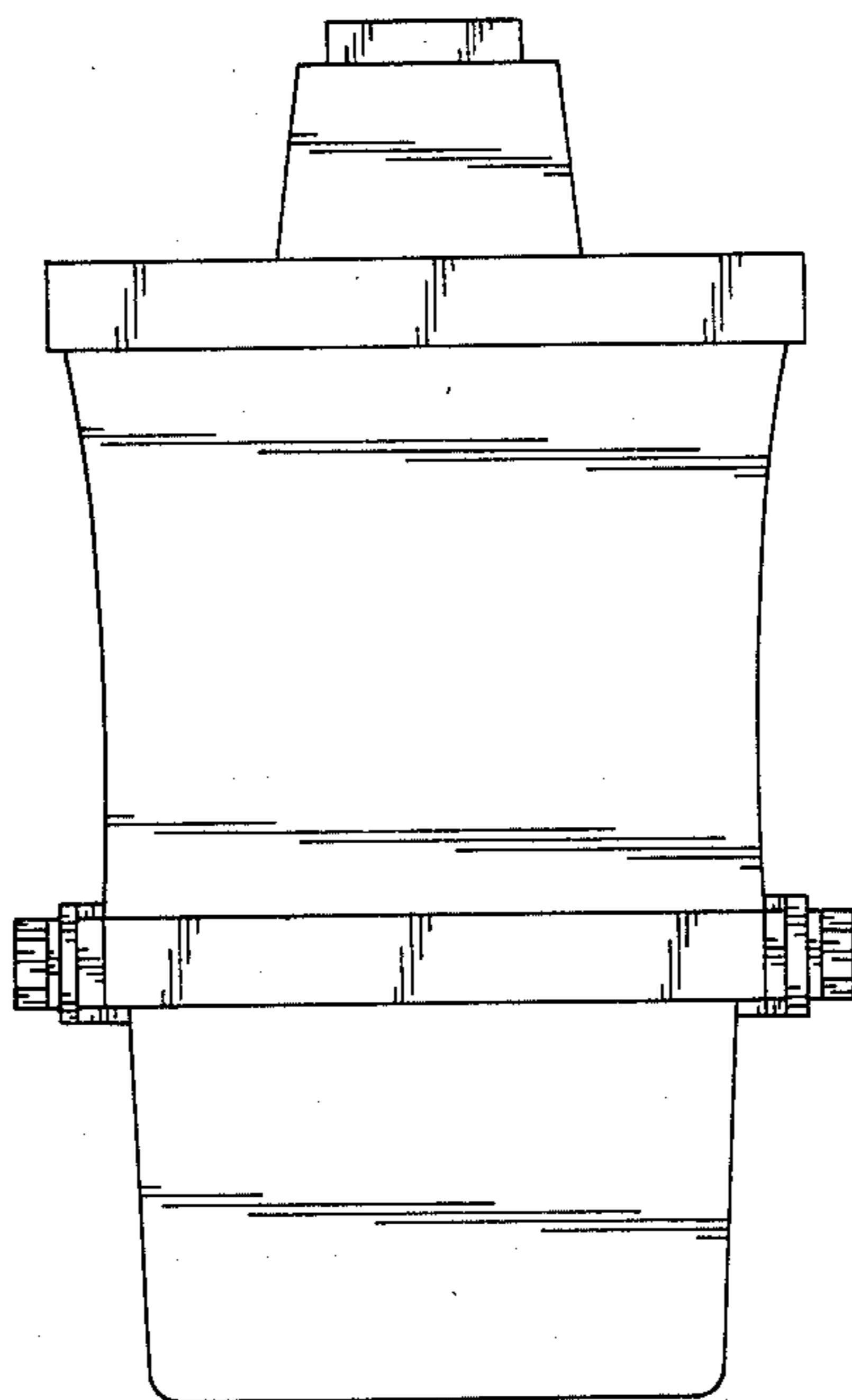
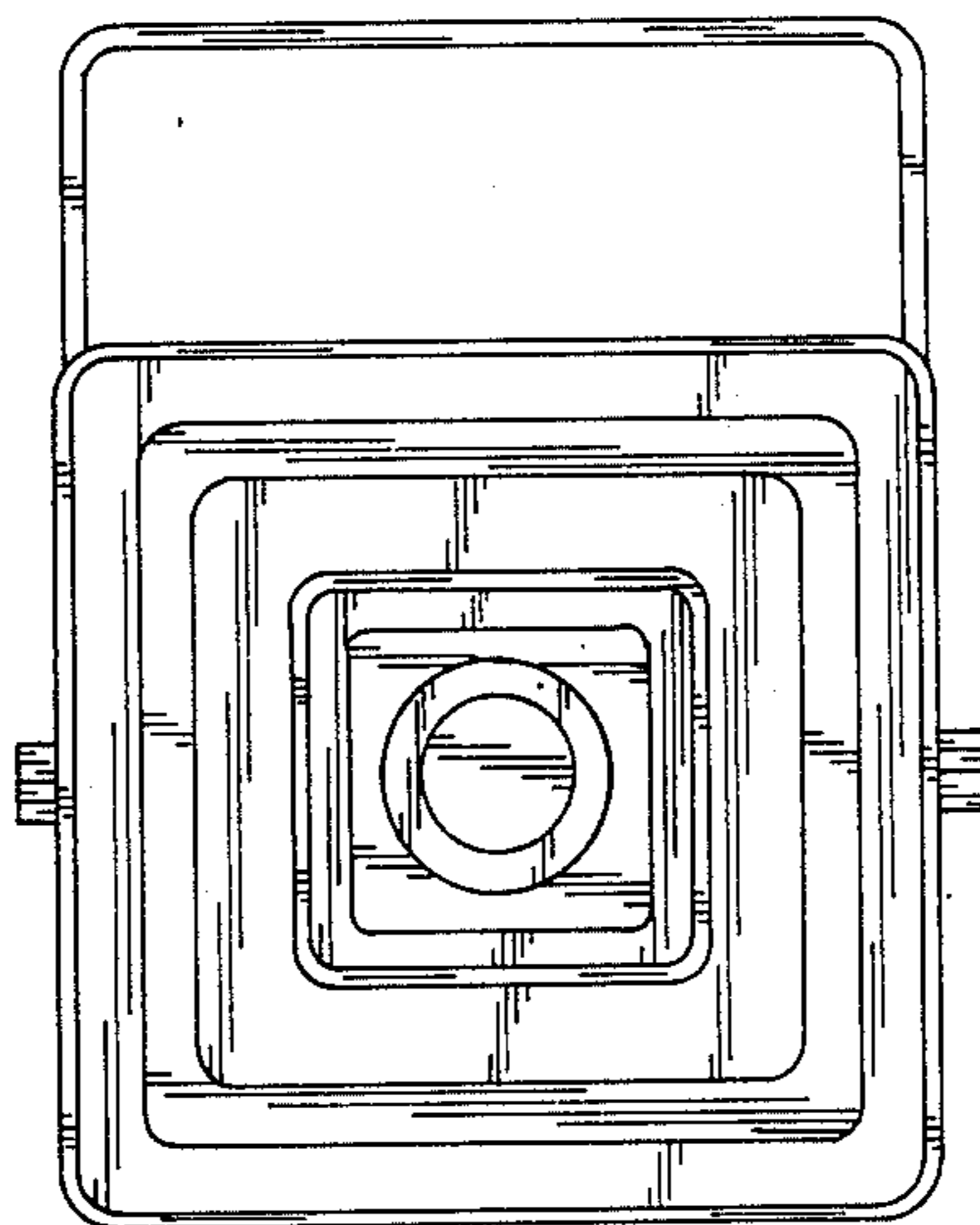


FIG. 2

FIG. 3

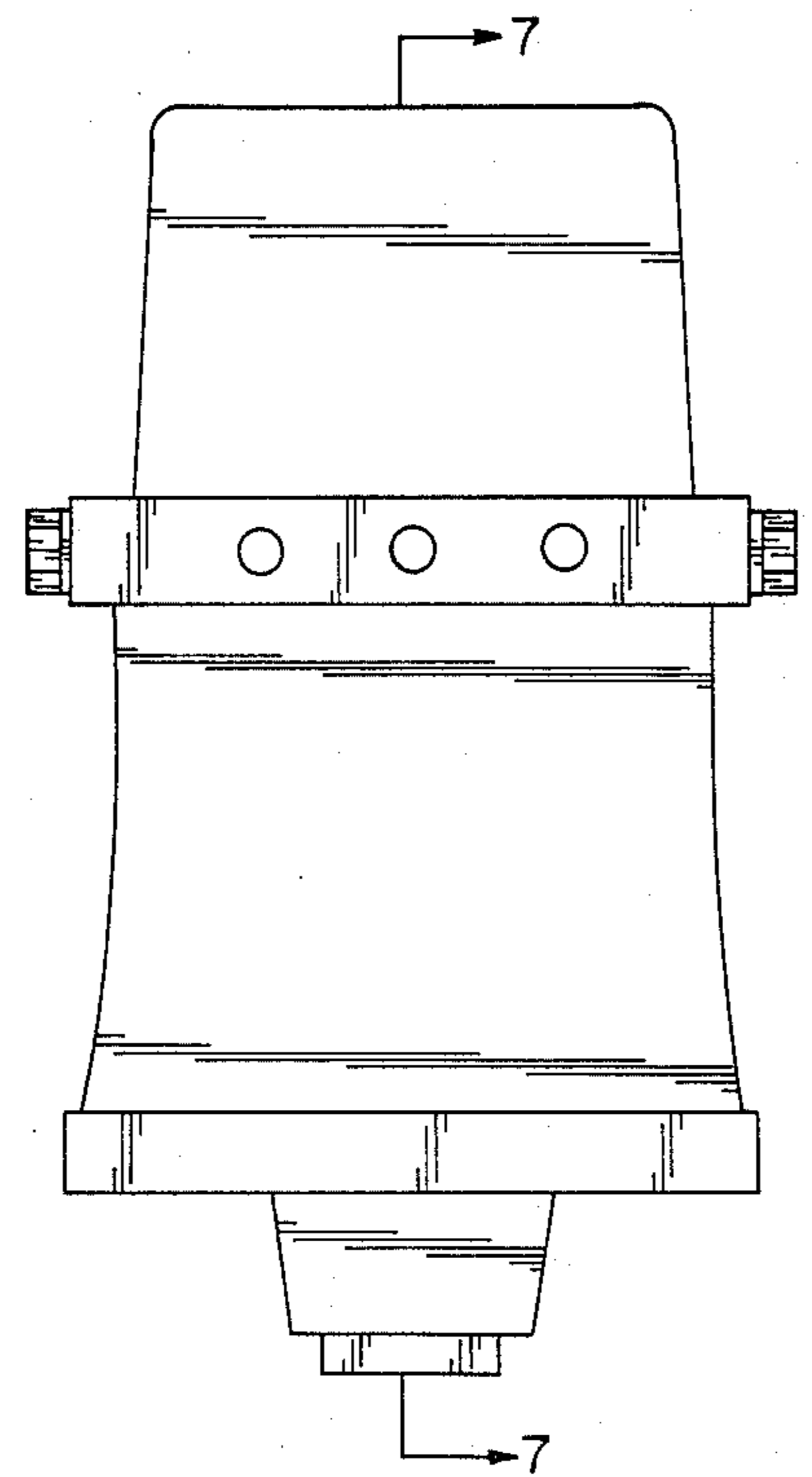
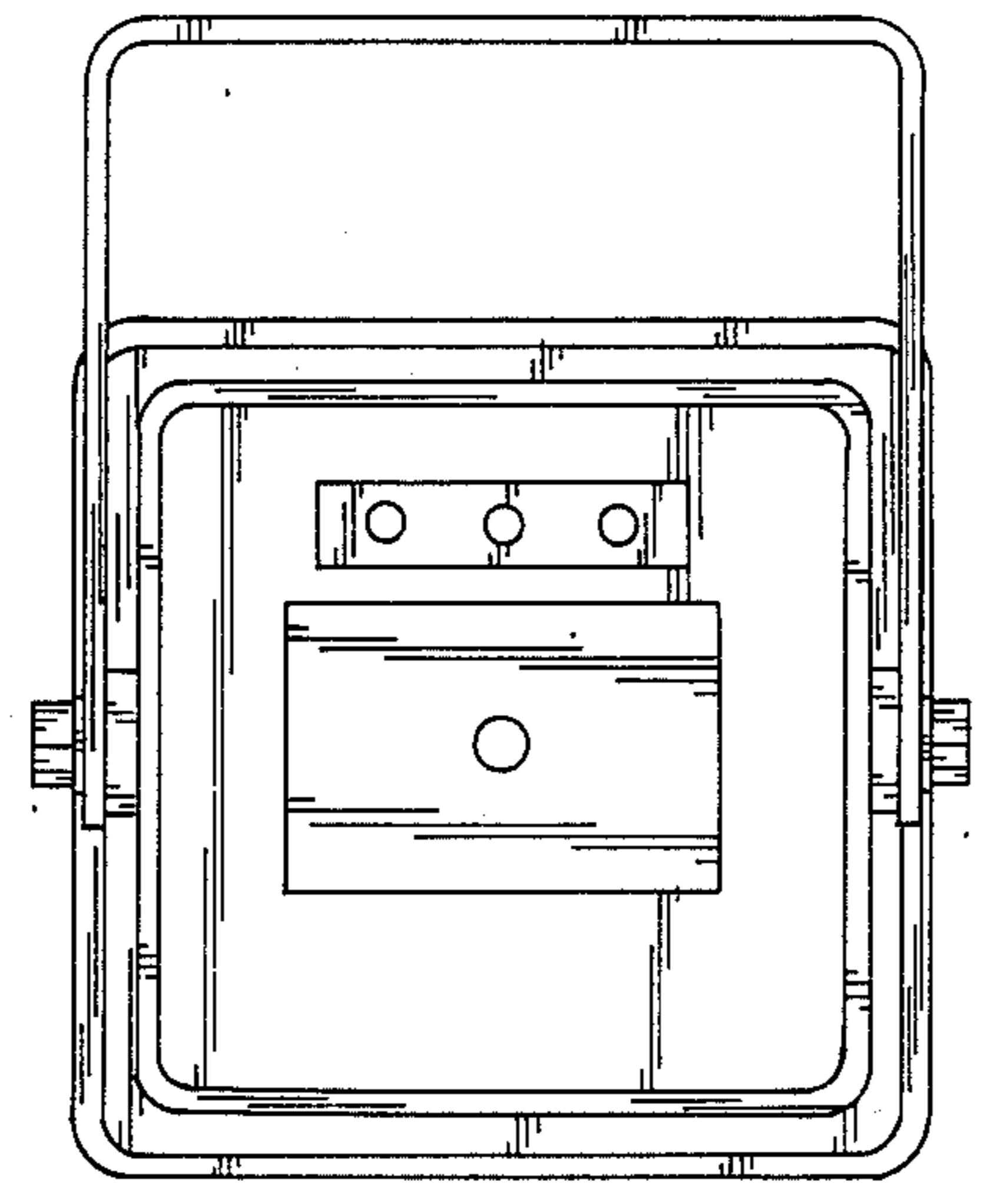


FIG. 4

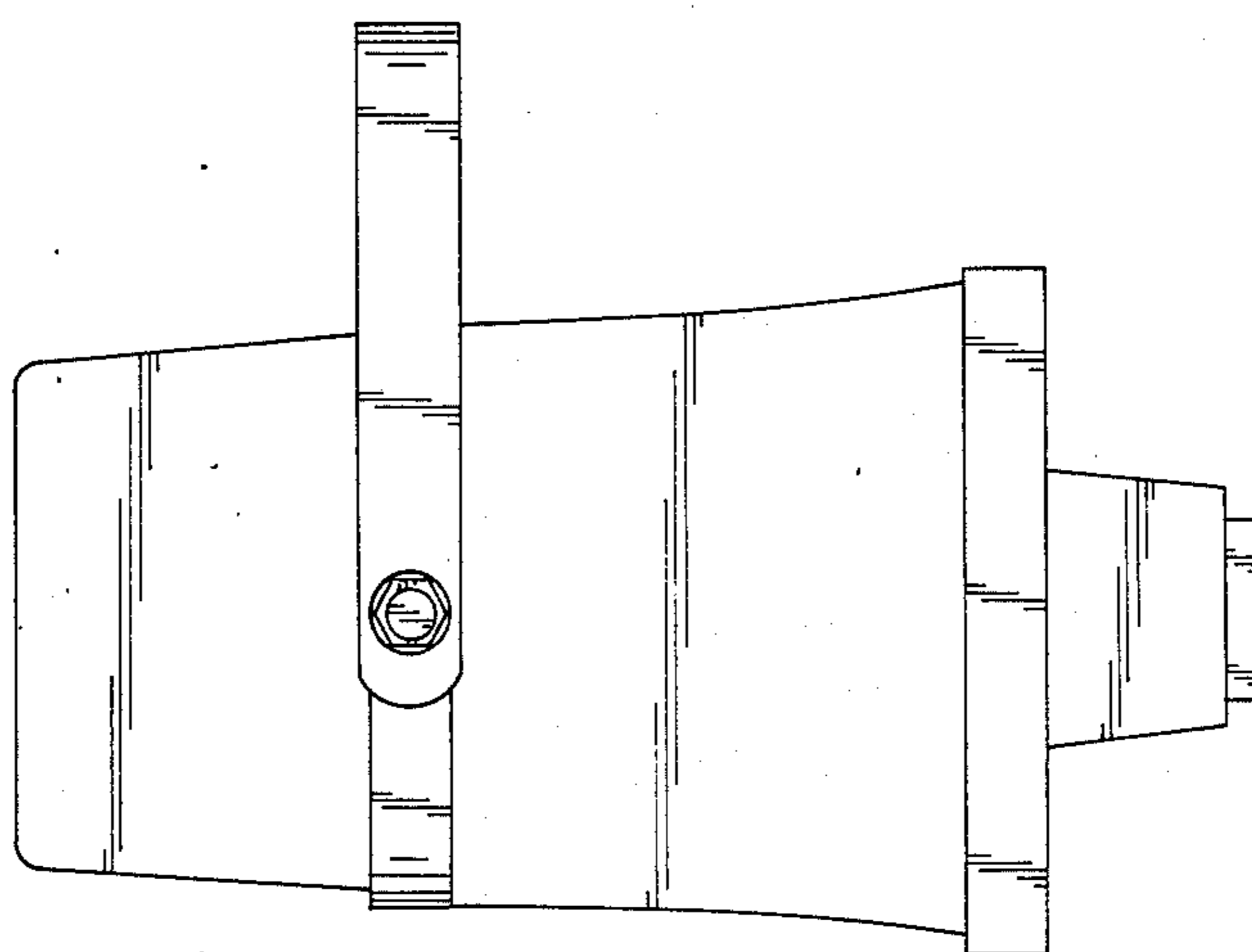


FIG. 5

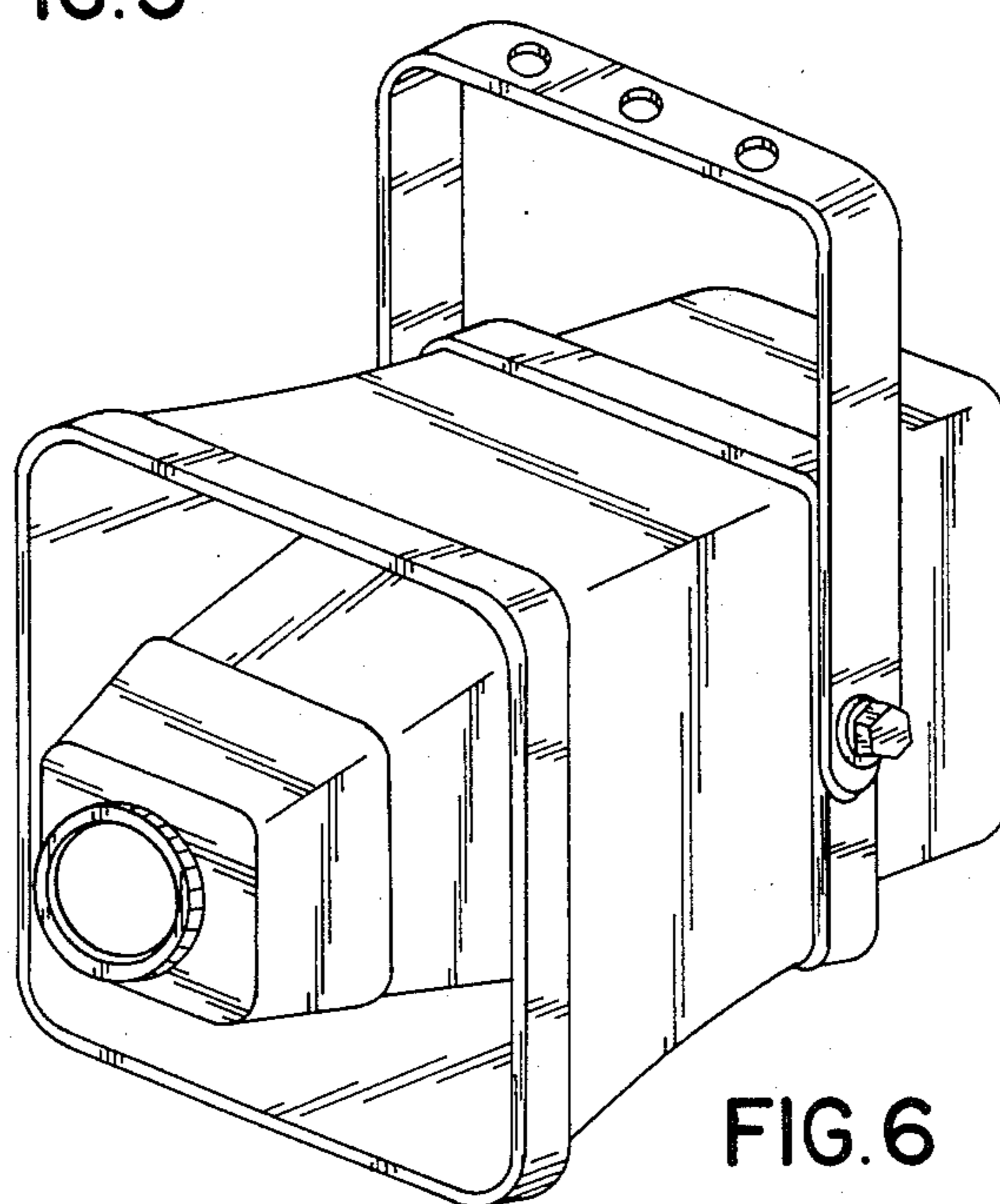


FIG. 6

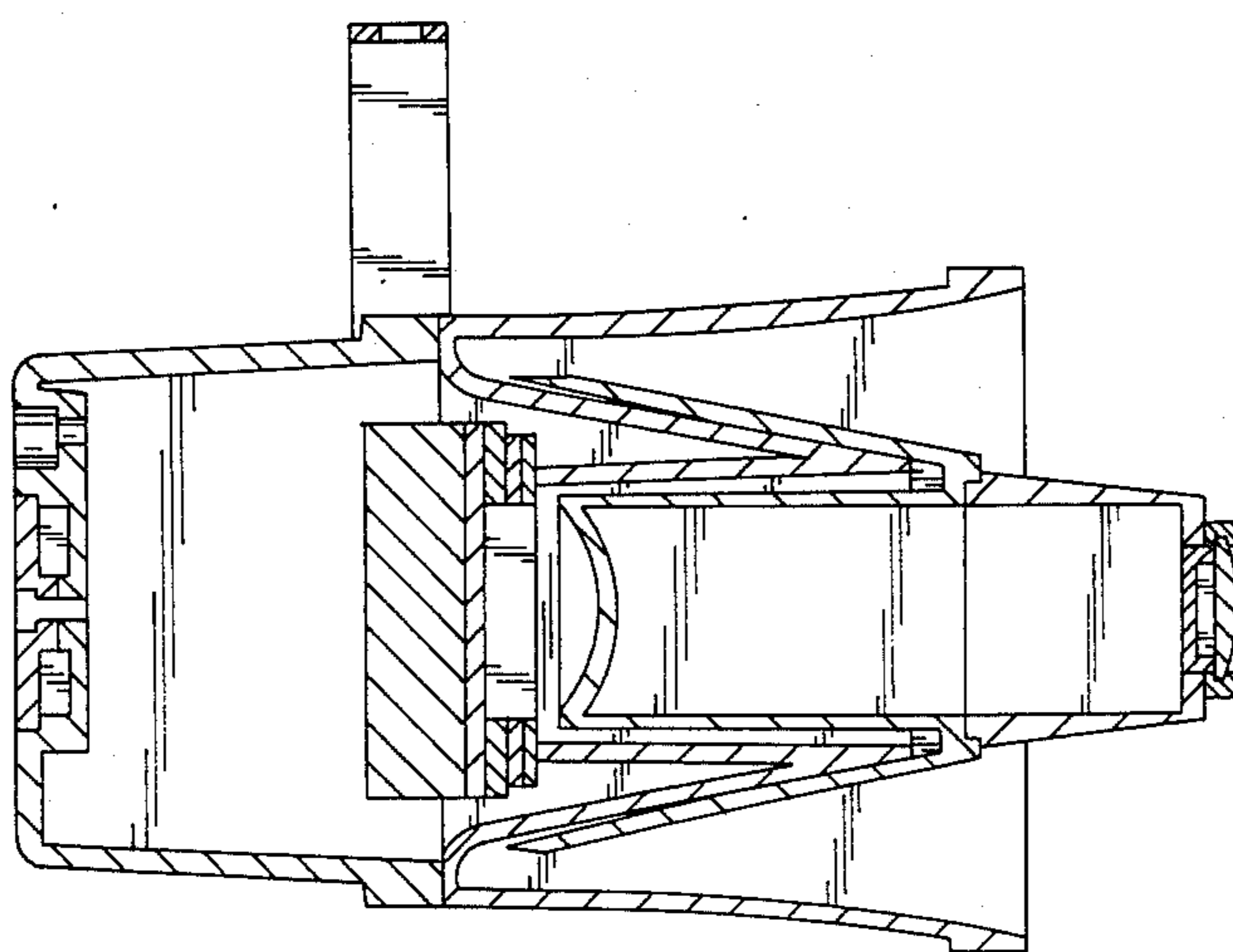


FIG. 7