

[54] **PACKAGE OF CONTAINERS**
[76] **Inventor: Wolfgang Glöyer, Wiesenweg 51,
2000 Oststeinbek, Fed. Rep. of
Germany**

[**] **Term: 14 Years**

[21] **Appl. No.: 756,131**

[22] **Filed: Jul. 16, 1985**

[30] **Foreign Application Priority Data**

Jan. 18, 1985 [WO] PCT Int'l
Appl. PCT/DE85/00013

[52] **U.S. Cl. D6/369; D6/337**

[58] **Field of Search D9/337, 434, 414, 341,
D9/432, 346, 369; 206/427, 428, 429, 430, 431,
432, 433, 434, 435**

[56] **References Cited**

U.S. PATENT DOCUMENTS

D. 286,020 10/1986 Barrash D9/434 X

2,313,731 3/1943 Brogden 206/428 X
2,316,738 4/1943 Brunhoff 206/435
2,811,250 10/1957 Arneson 206/428
2,821,299 1/1958 Crary 206/428 X
4,050,579 9/1977 Gorski et al. 206/429 X
4,269,314 5/1981 Barrash 206/428

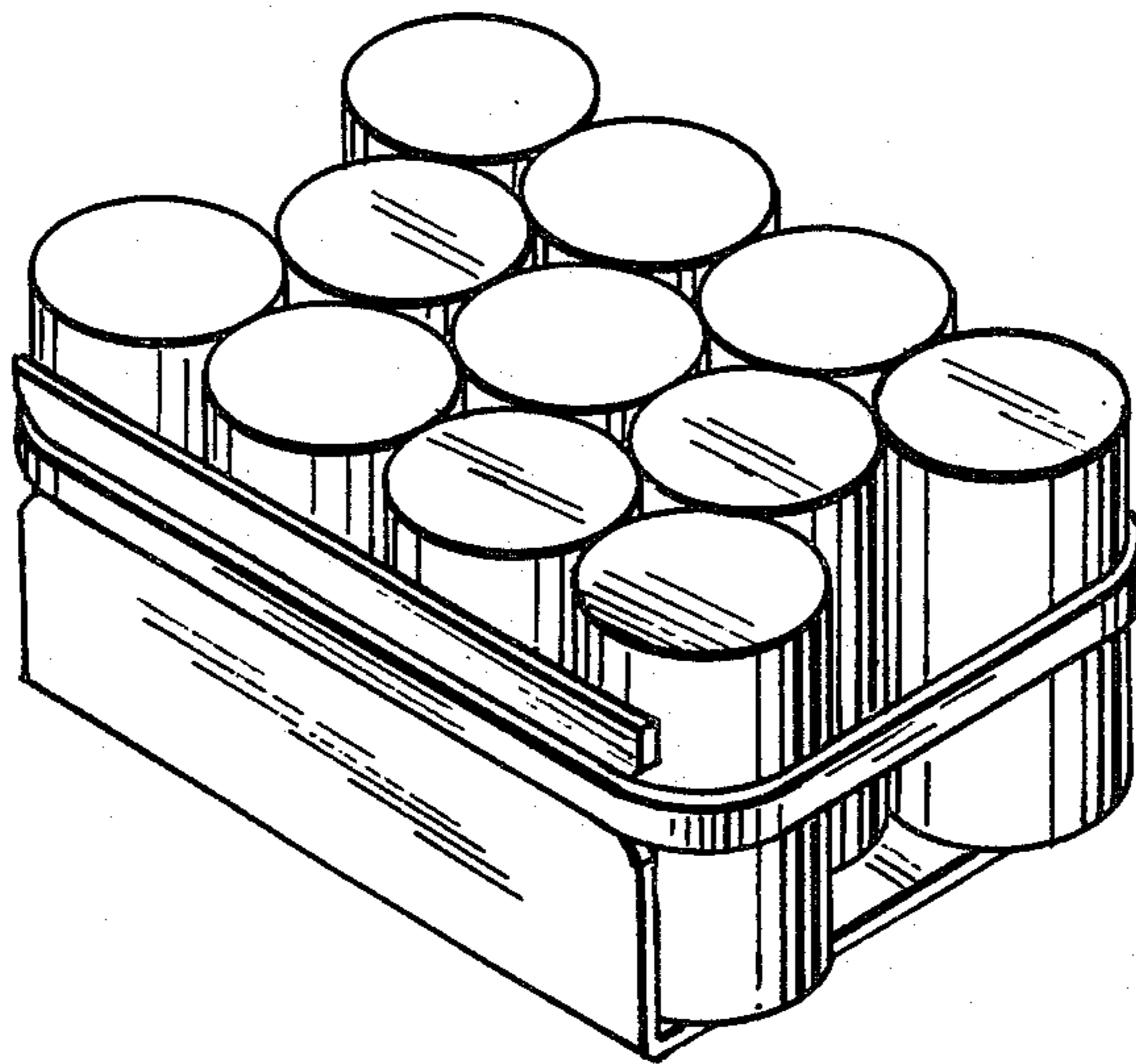
Primary Examiner—Bruce W. Dunkins
Attorney, Agent, or Firm—Toren, McGeady &
Associates

[57] **CLAIM**

The ornamental design for a package of containers, as shown and described.

DESCRIPTION

FIG. 1 is a side perspective view of a package of containers showing my design;
FIG. 2 is an end perspective view;
FIG. 3 is a top plan view;
FIG. 4 is a bottom plan view; and,
FIG. 5 is a side perspective view of a package of containers showing a modified form of my design.



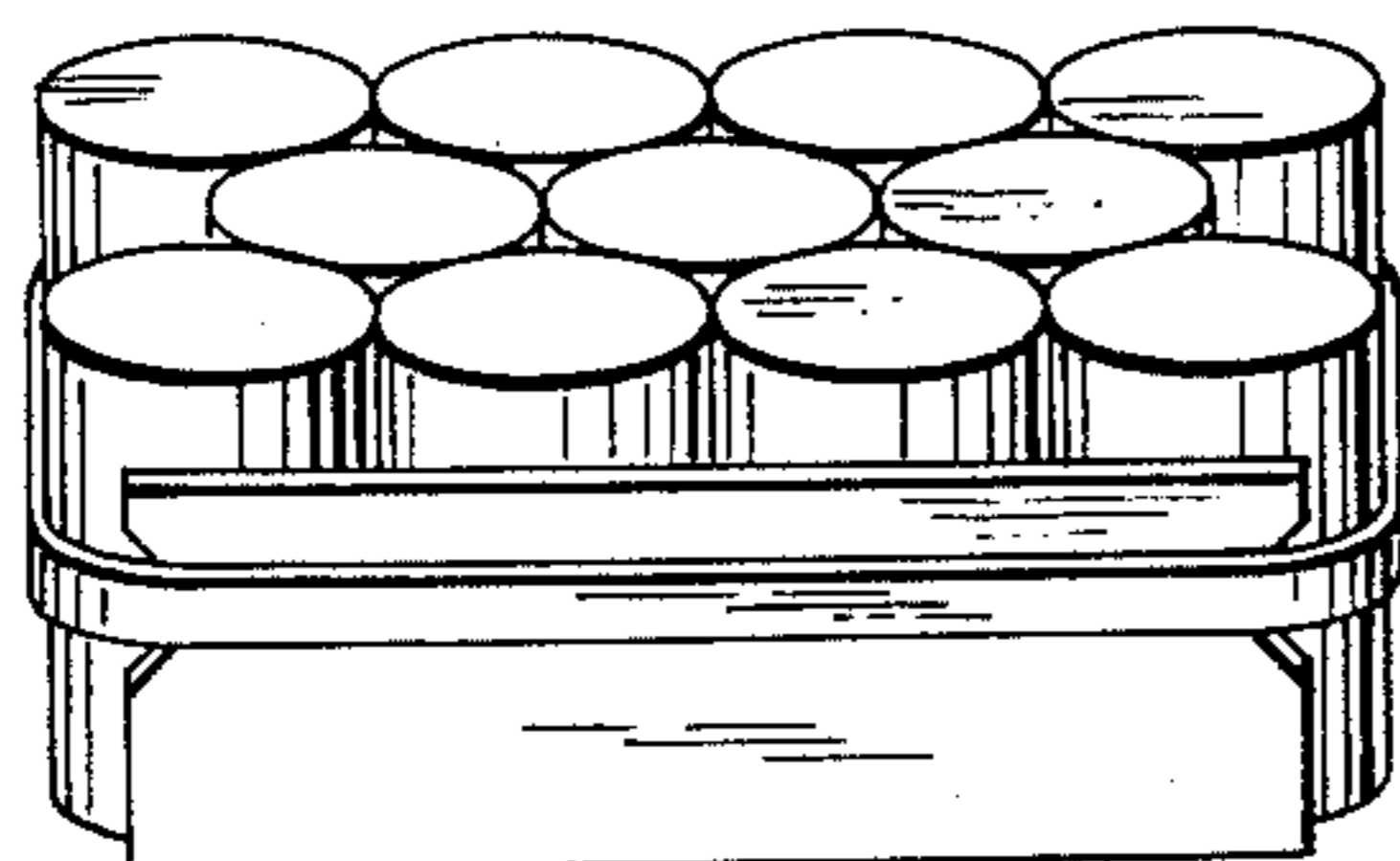


FIG. 1

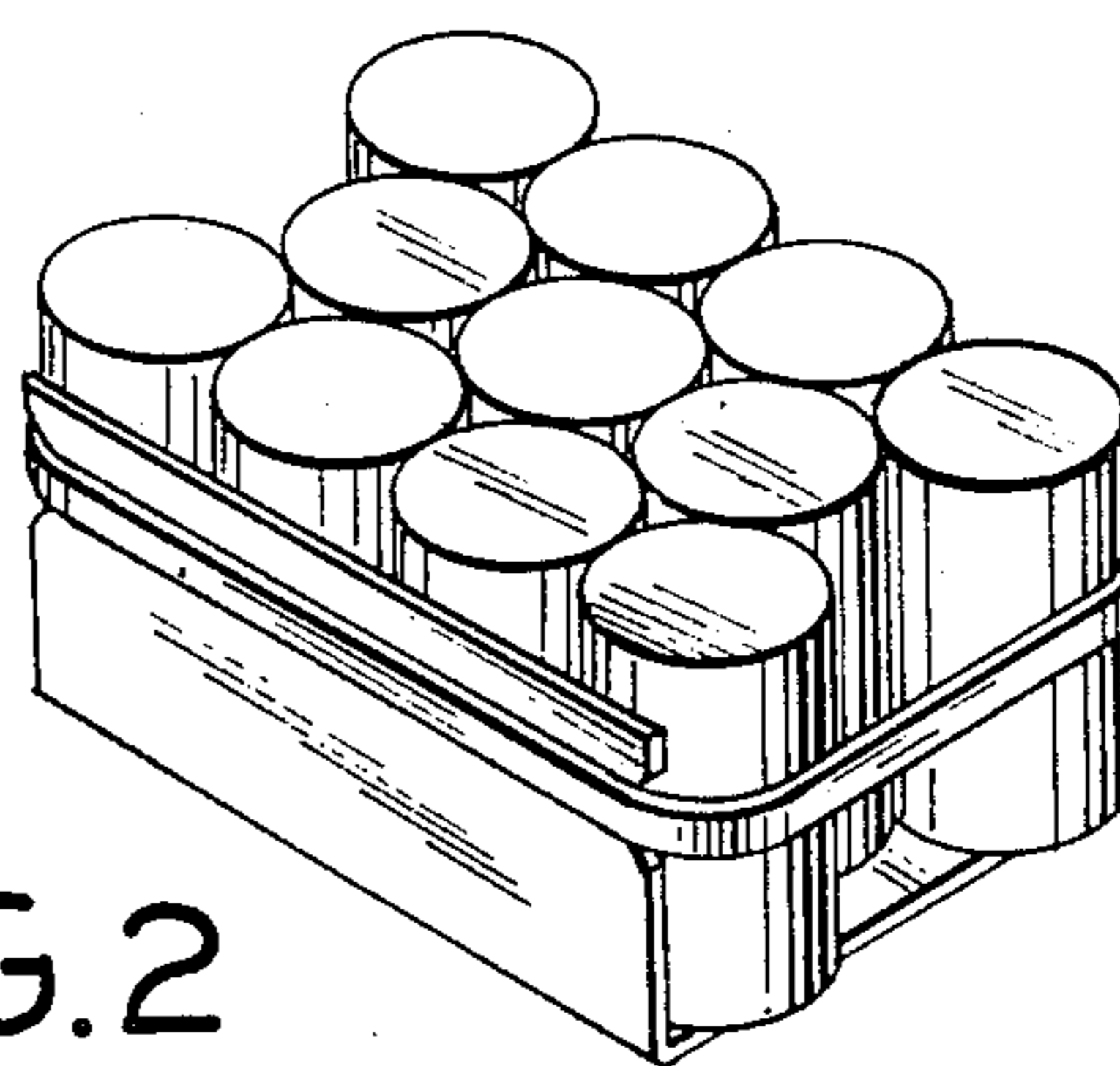


FIG. 2

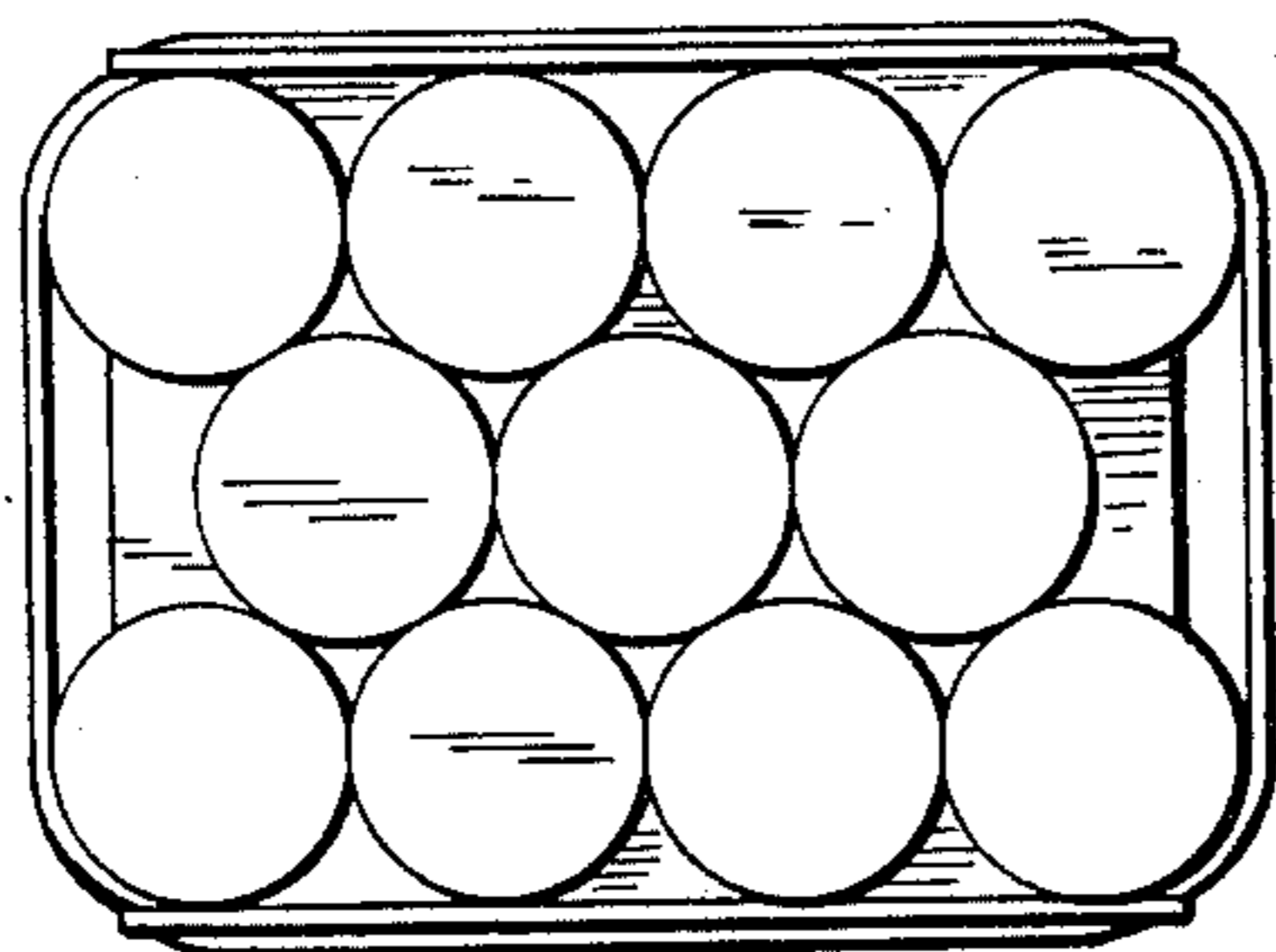


FIG. 3

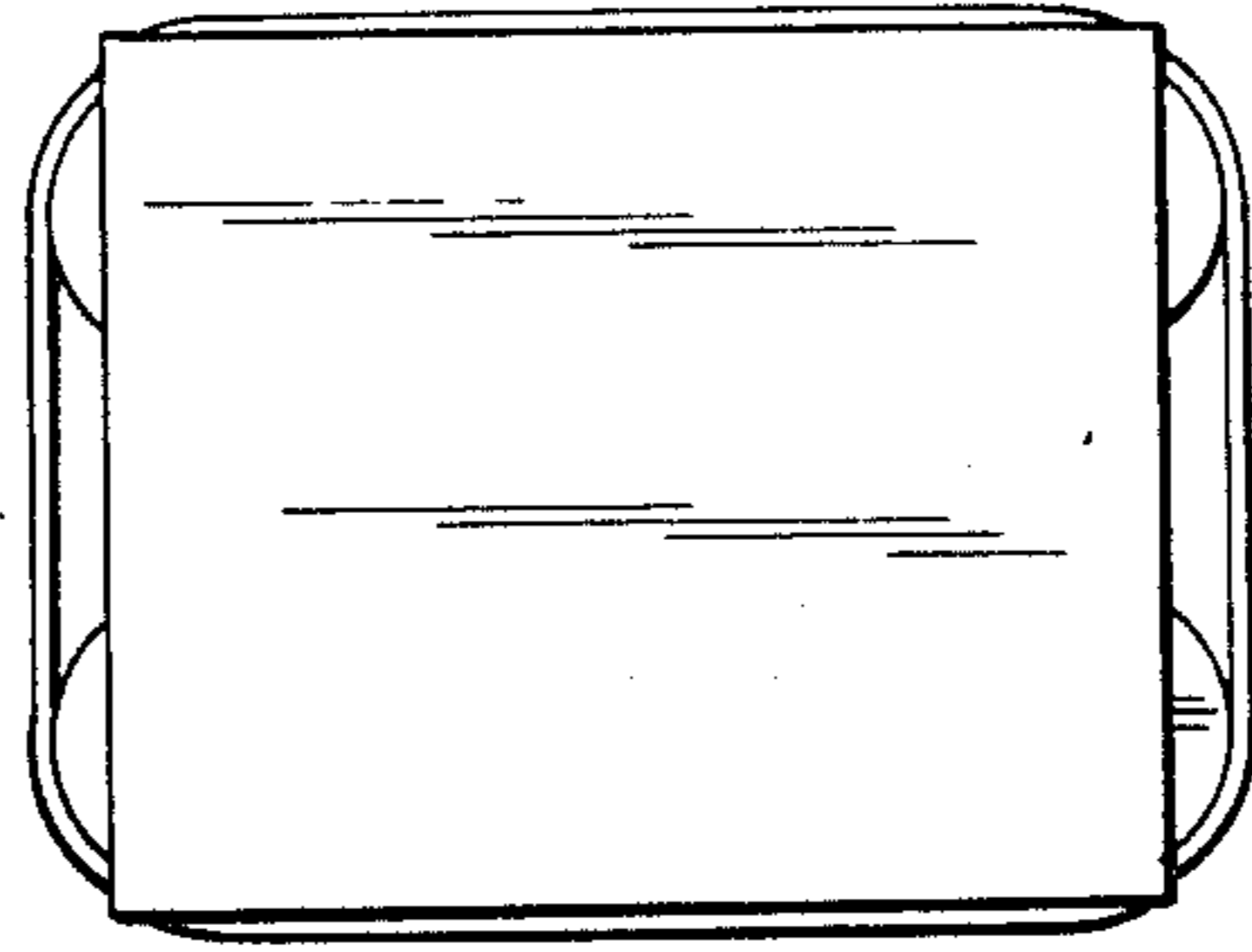


FIG. 4

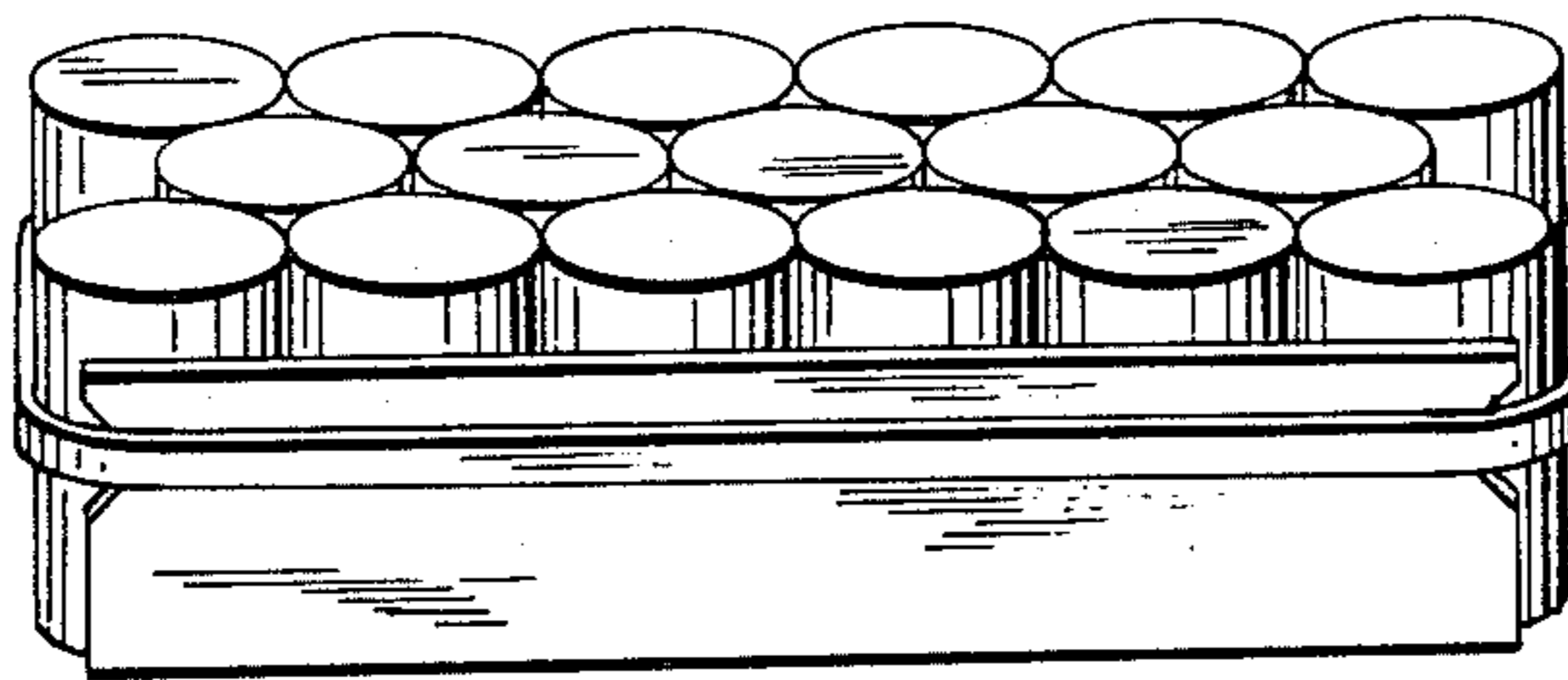


FIG. 5