

- [54] **COMBINED DOOR KNOB AND ESCUTCHEON**
- [75] **Inventor: Bruce J. Rubin, Minneapolis, Minn.**
- [73] **Assignee: Wright Products, Inc., St. Paul, Minn.**
- [**] **Term: 14 Years**
- [21] **Appl. No.: 892,061**
- [22] **Filed: Jul. 30, 1986**
- [52] **U.S. Cl. D8/301; D8/310; D8/353**
- [58] **Field of Search D8/300, 301, 307, 310-312, D8/350, 353; 16/121, 110 R; 292/347, 357; 70/91**

- [56] **References Cited**
U.S. PATENT DOCUMENTS
D. 227,855 7/1973 Tegner D8/310
D. 227,856 7/1973 Tegner D8/310

- D. 261,856 11/1981 Meisner D8/301
- D. 271,374 11/1983 Butts D8/353
- D. 280,073 8/1985 Wildgen D8/310
- D. 290,442 6/1987 Floyd et al. D8/353

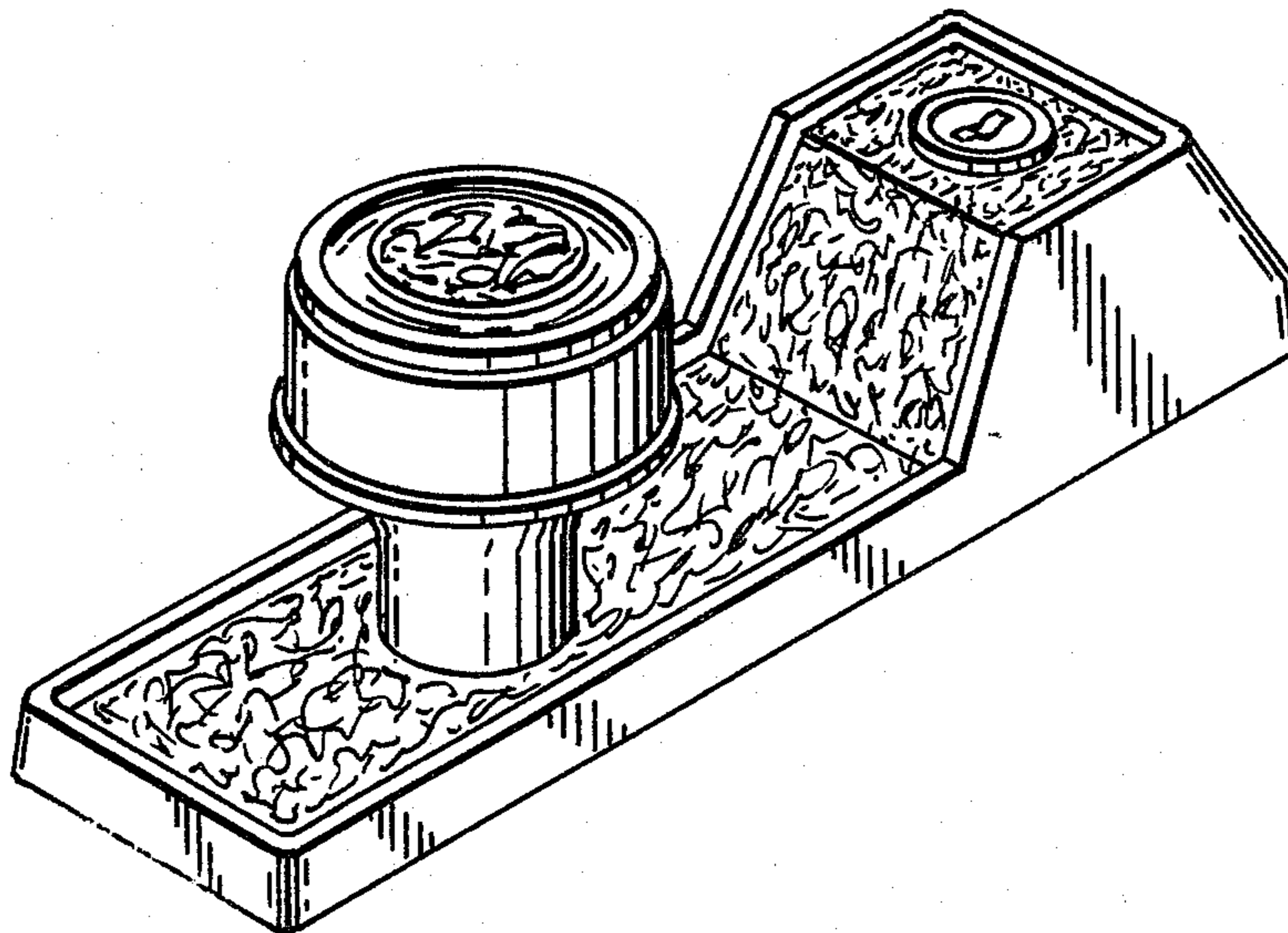
Primary Examiner—B. J. Bullock
Attorney, Agent, or Firm—Terry K. Qualey

[57] **CLAIM**

The ornamental design for a combined door knob and escutcheon, as shown.

DESCRIPTION

FIG. 1 is a perspective view showing the front, right side and bottom of a combined door knob and escutcheon showing my new design;
FIG. 2 is a right side view thereof, the left side being a mirror image of the right side;
FIG. 3 is a front view thereof; the back, being devoid of ornamentation, is not shown;
FIG. 4 is a bottom view thereof; and
FIG. 5 is a top view thereof.



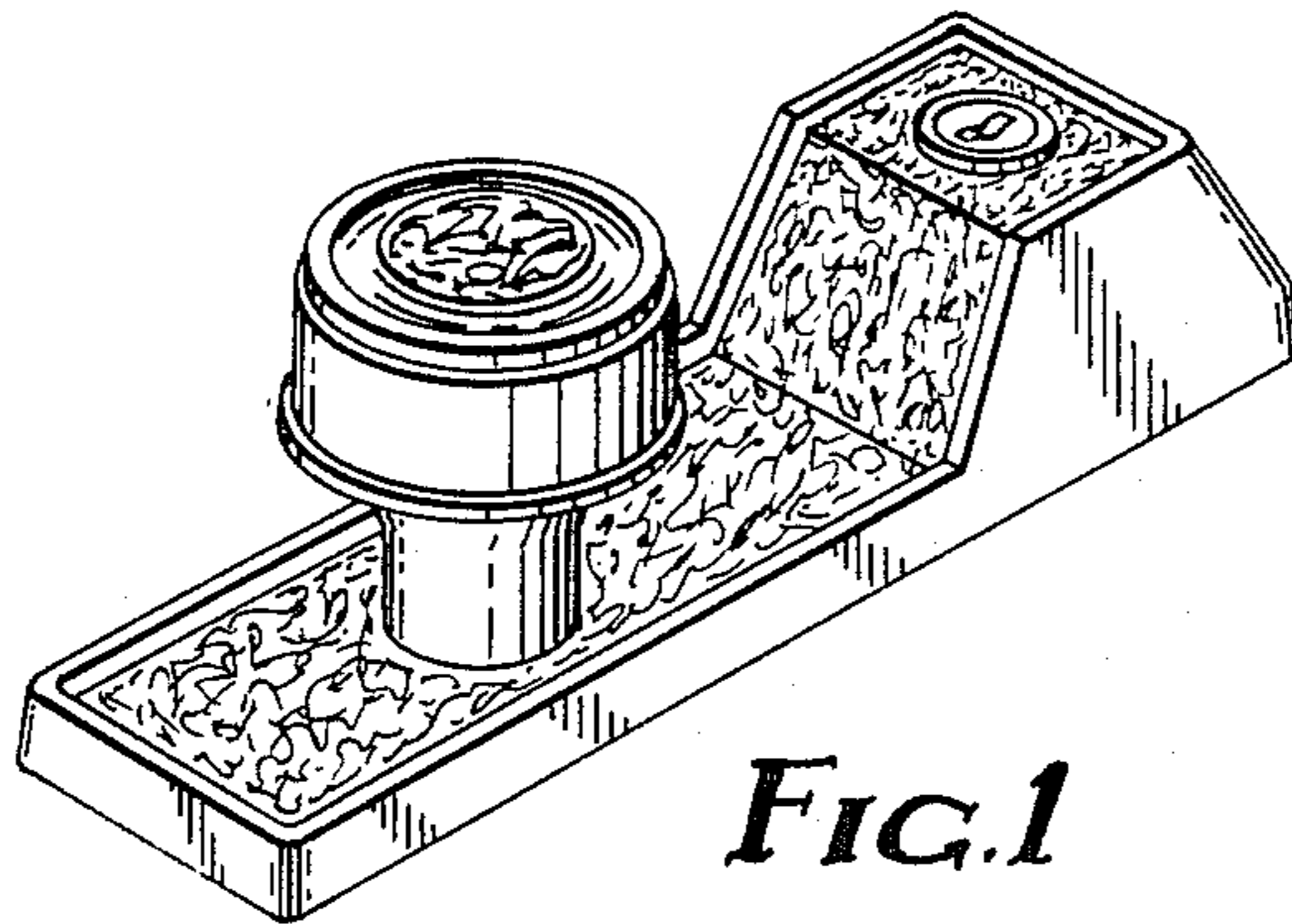


FIG. 1

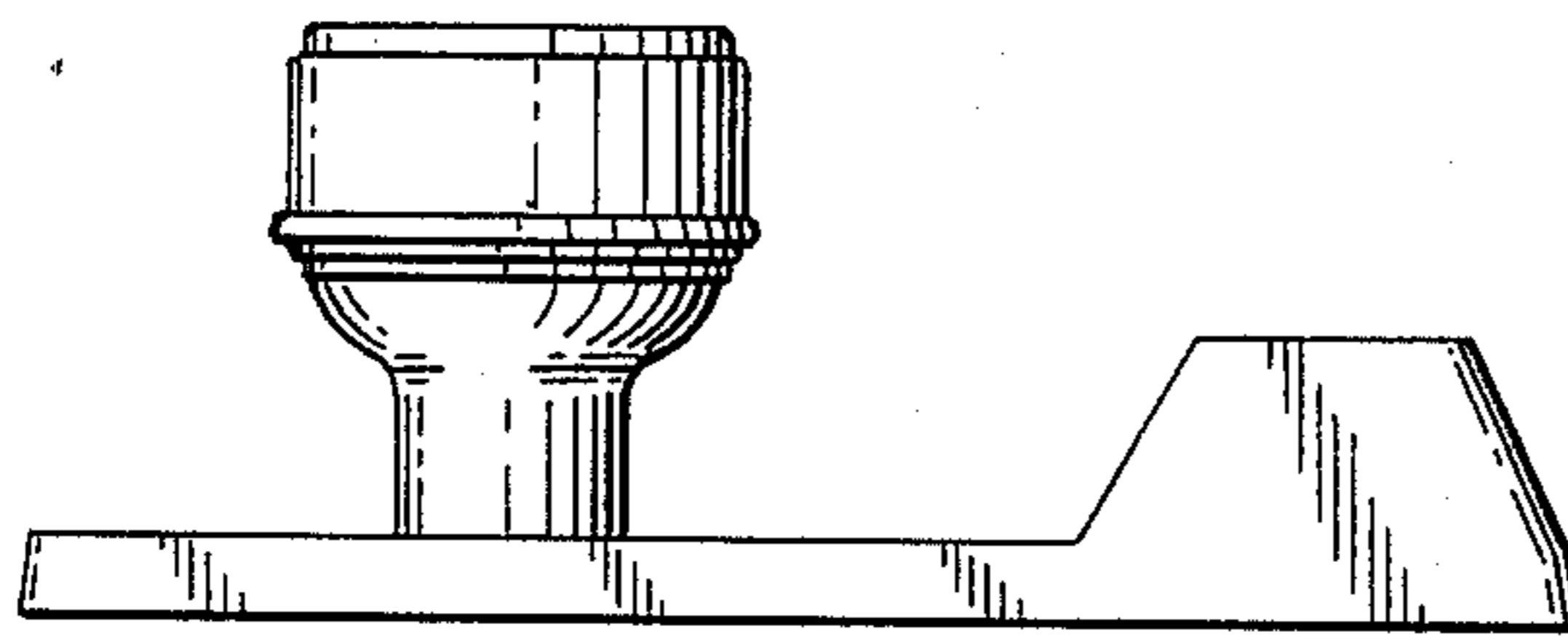


FIG. 2

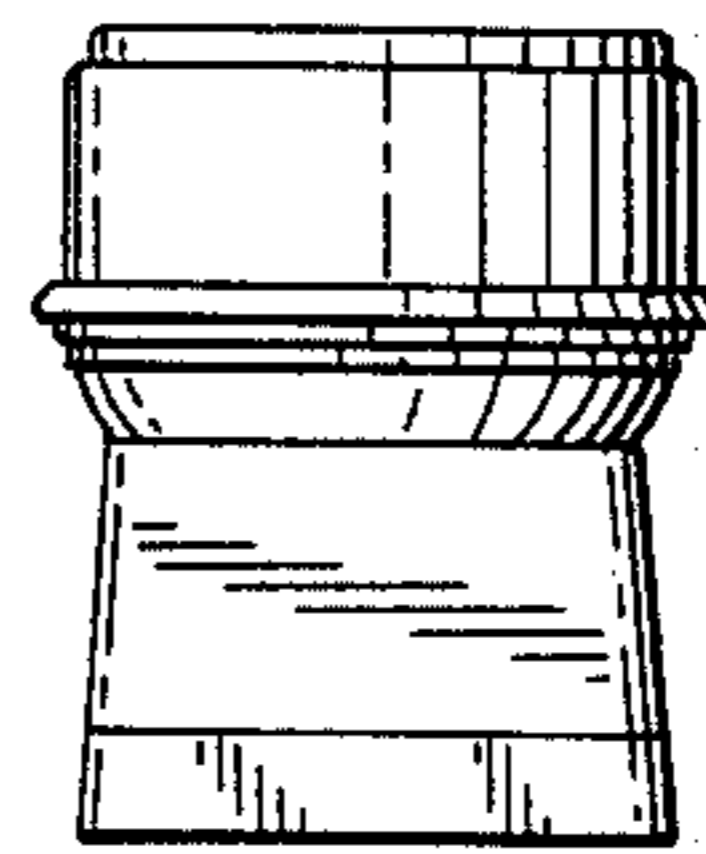


FIG. 5

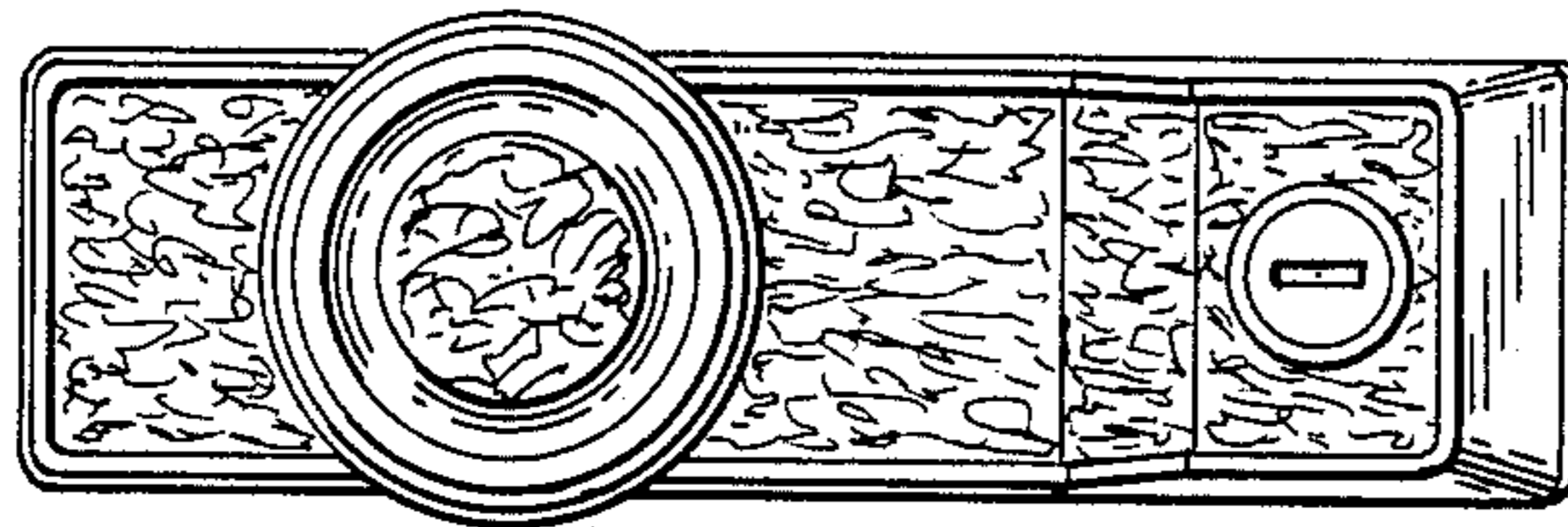


FIG. 3

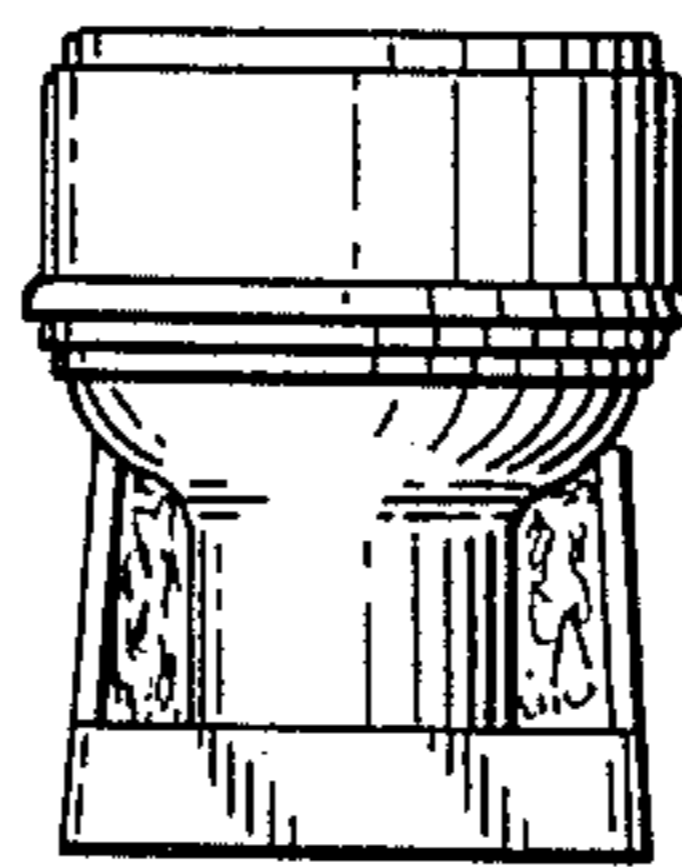


FIG. 4