

- [54] **MACHINE HOUSING FOR BELT-TYPE FINISHING TOOL**
- [75] **Inventor: Paul W. Huber, Lancaster, N.Y.**
- [73] **Assignee: Dynabrade, Inc., Tonawanda, N.Y.**
- [**] **Term: 14 Years**
- [21] **Appl. No.: 814,911**
- [22] **Filed: Dec. 30, 1985**
- [52] **U.S. Cl. D8/62; D8/70; D15/126**
- [58] **Field of Search D8/14, 61-64, D8/90-94; D15/122, 126; 51/135 R, 135 BT, 170 EB**

- [56] **References Cited**
U.S. PATENT DOCUMENTS
D. 215,047 8/1969 Mikiya D8/62
D. 255,034 5/1980 Welsch et al. D15/126
2,247,440 7/1941 Hempel 51/170 EB
3,534,508 10/1970 Del Vecchio 51/135 BT

OTHER PUBLICATIONS

1 Sheet Sales Literature "New Dynangle II Finishes Contours 8-83.

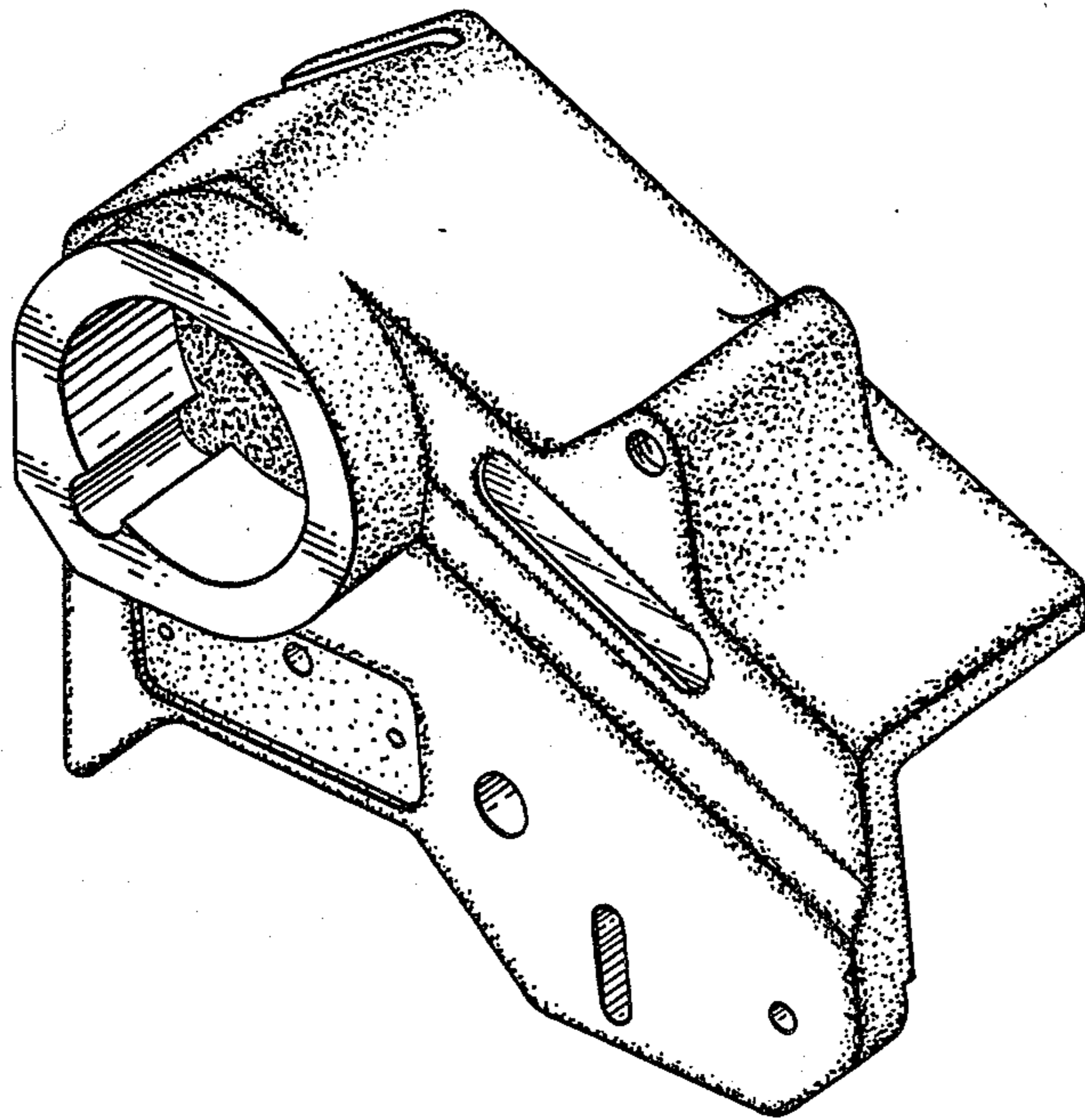
Primary Examiner—Wallace R. Burke
Assistant Examiner—Clare E. Heflin
Attorney, Agent, or Firm—Bean, Kauffman & Bean

[57] **CLAIM**

The ornamental design for a machine housing for a belt-type finishing tool, as shown.

DESCRIPTION

FIG. 1 is a front and one side perspective view of a machine housing for a belt-type finishing tool showing my new design;
FIG. 2 is a rear and opposite side perspective view thereof;
FIG. 3 is a left side elevational view thereof;
FIG. 4 is a right side elevational view thereof;
FIG. 5 is a rear elevational view thereof;
FIG. 6 is a front elevational view thereof;
FIG. 7 is a top plan view thereof;
FIG. 8 is a bottom plan view thereof.



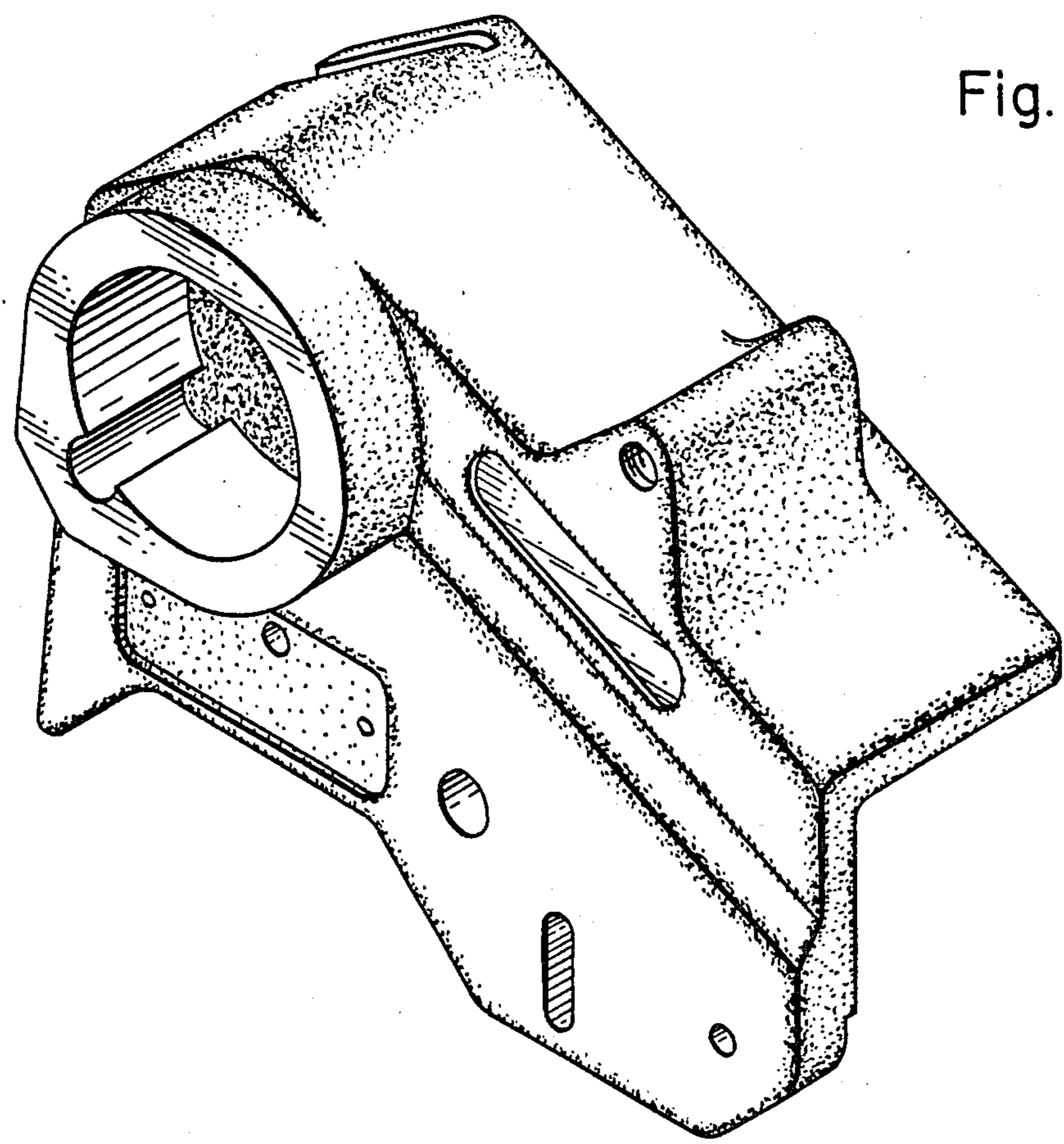


Fig. 1.

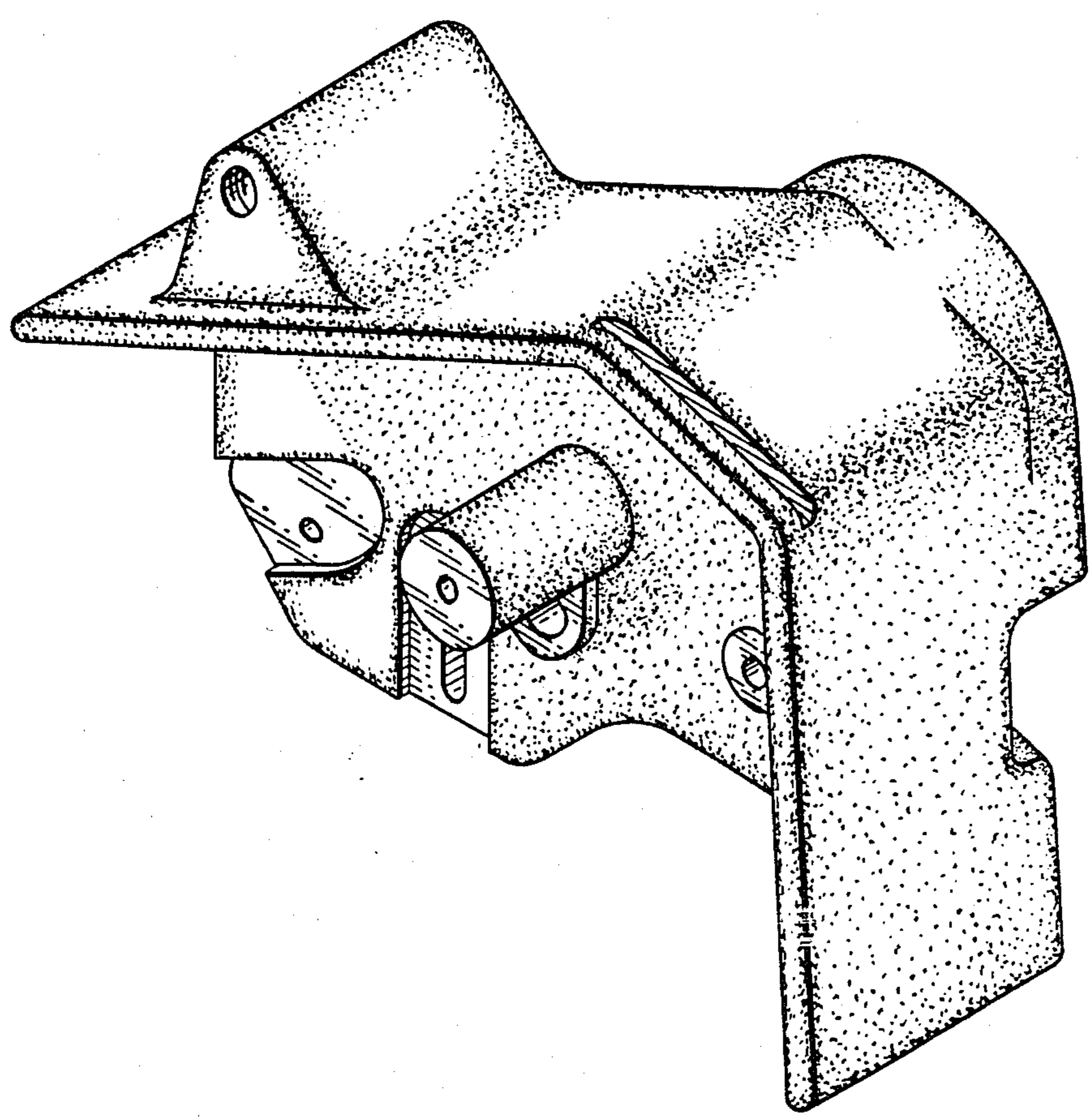


Fig. 2.

Fig. 3.

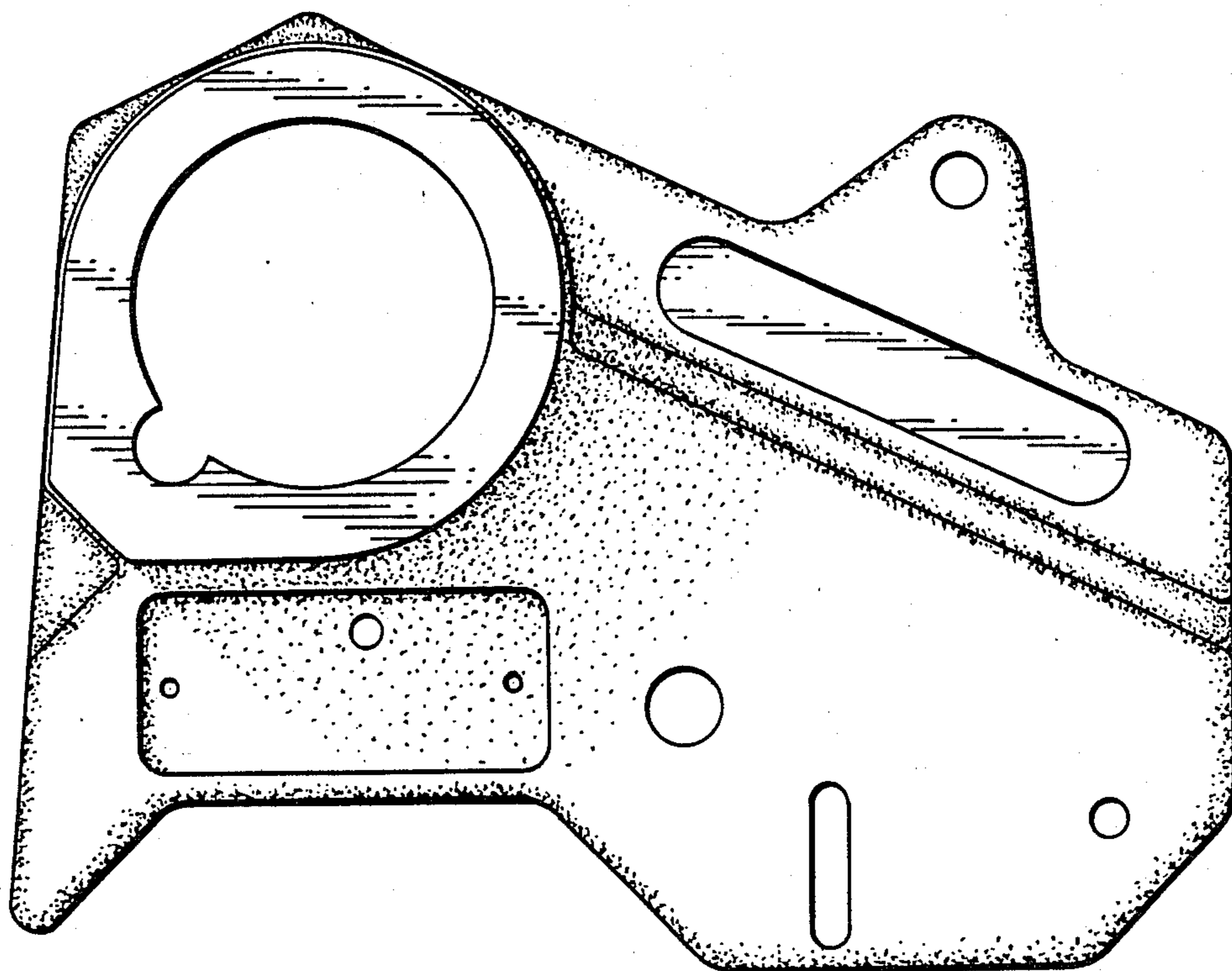
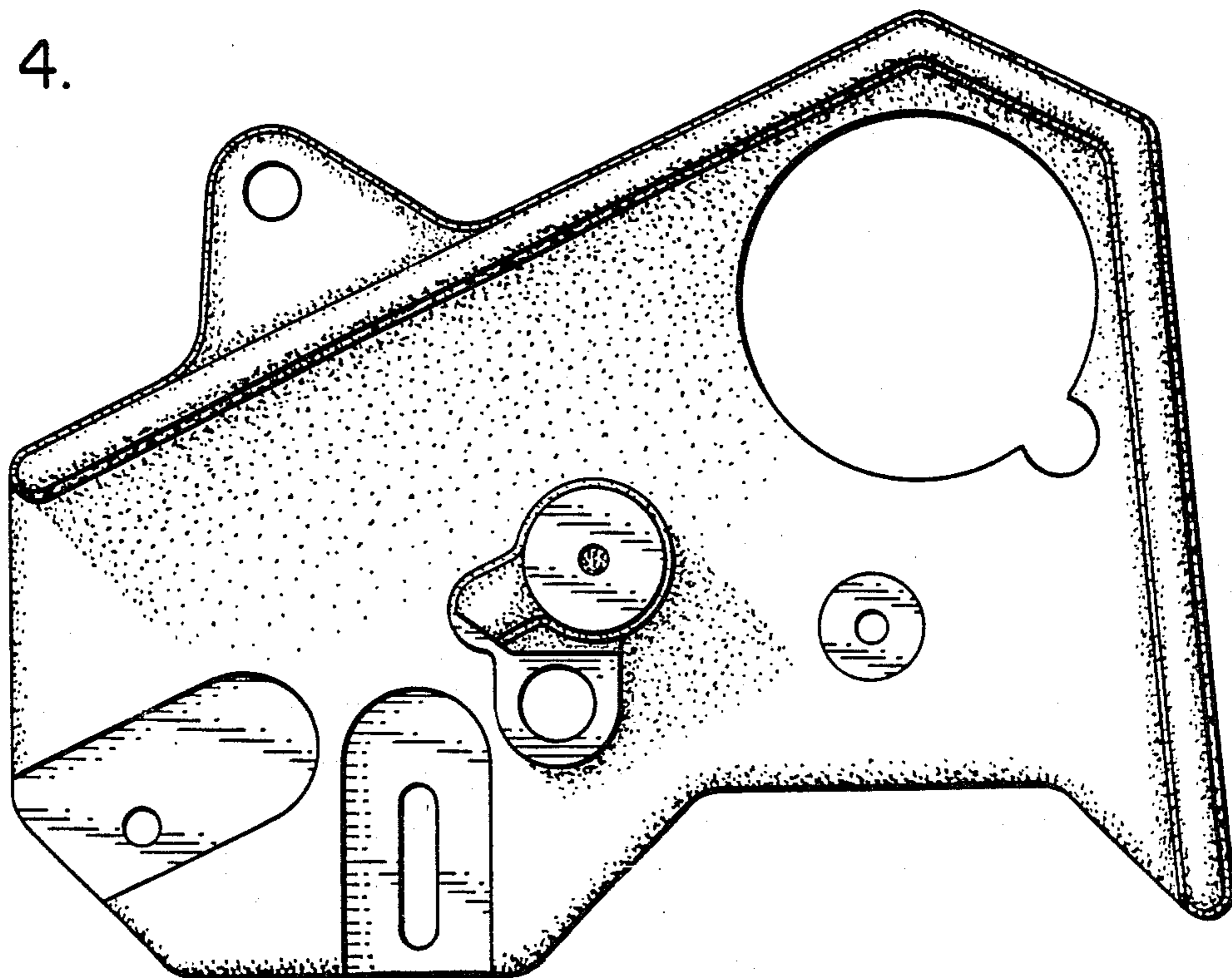


Fig. 4.



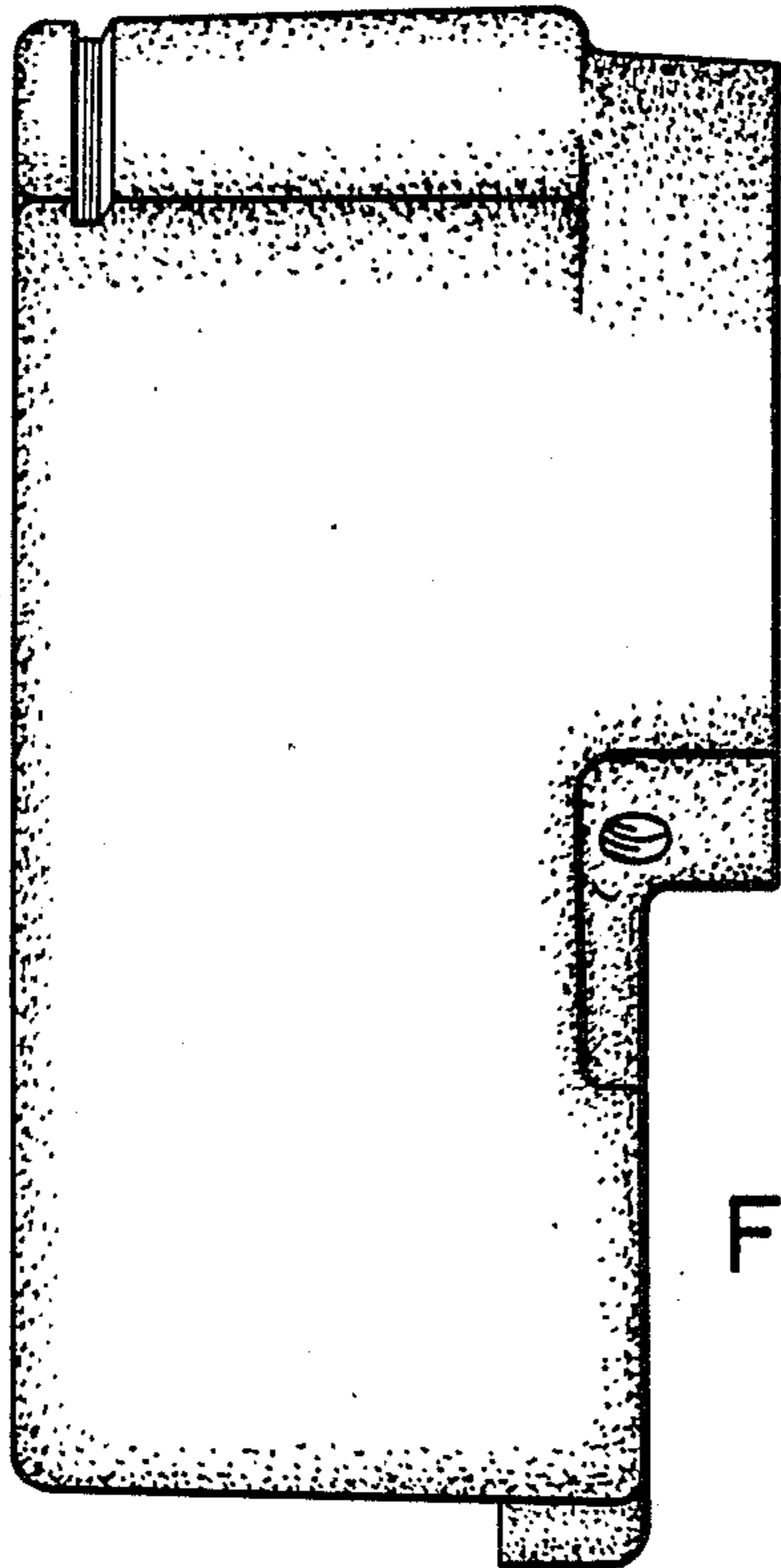


Fig. 5.

Fig. 6.

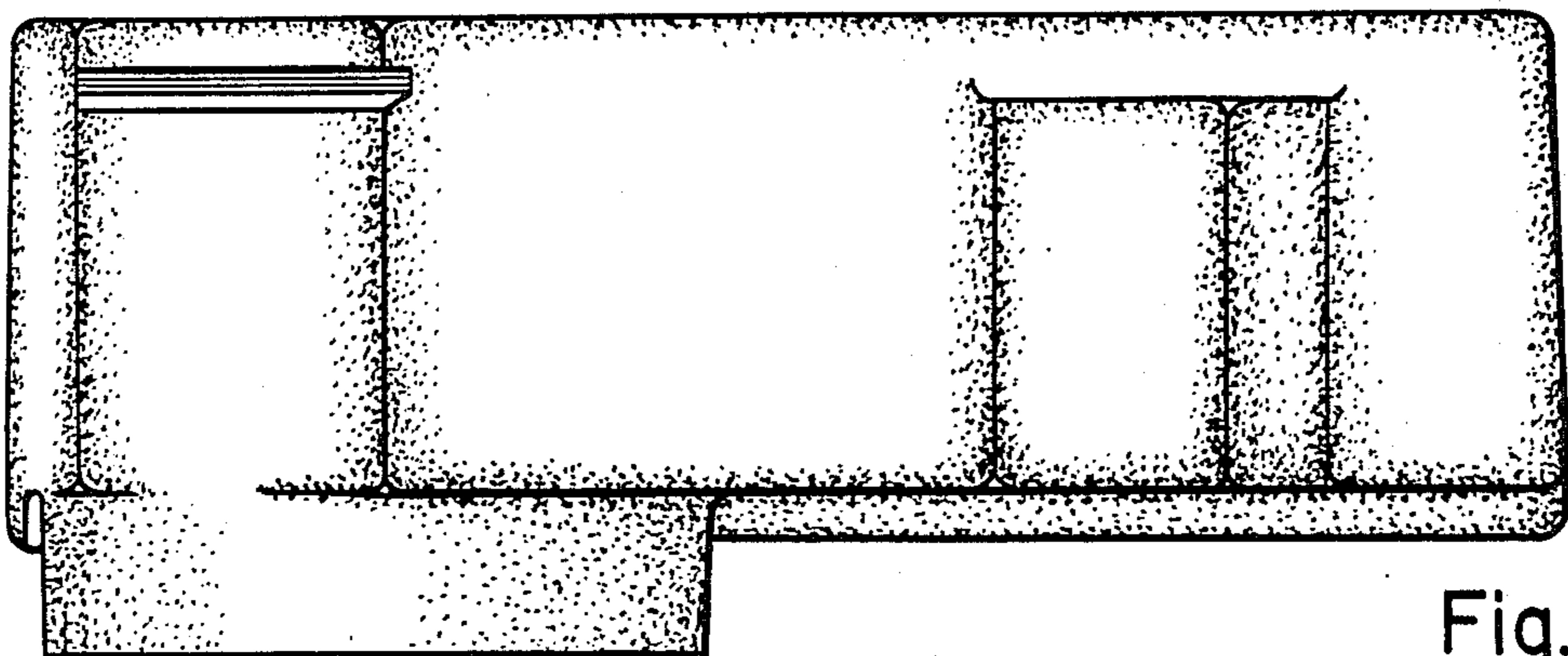
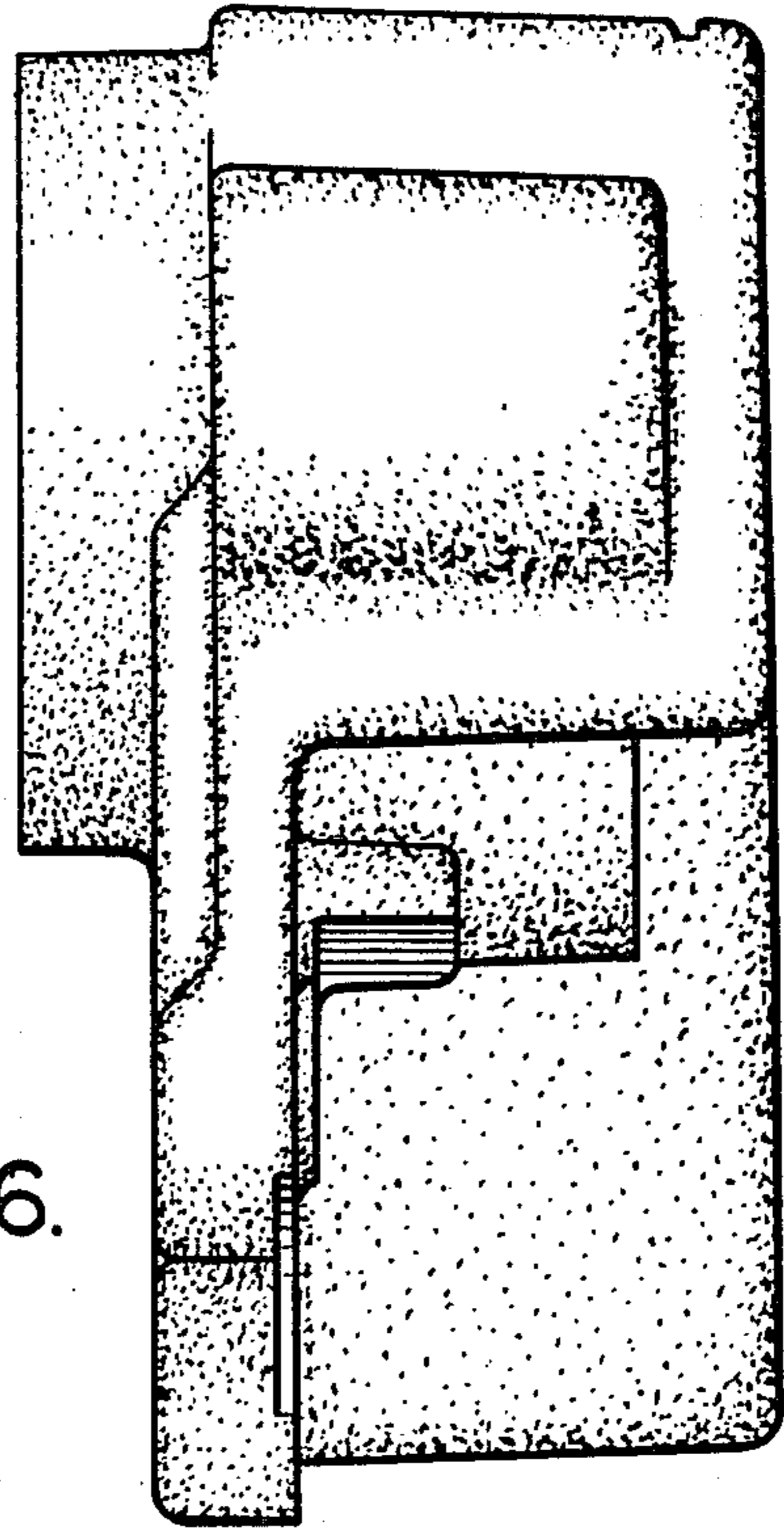


Fig. 7.

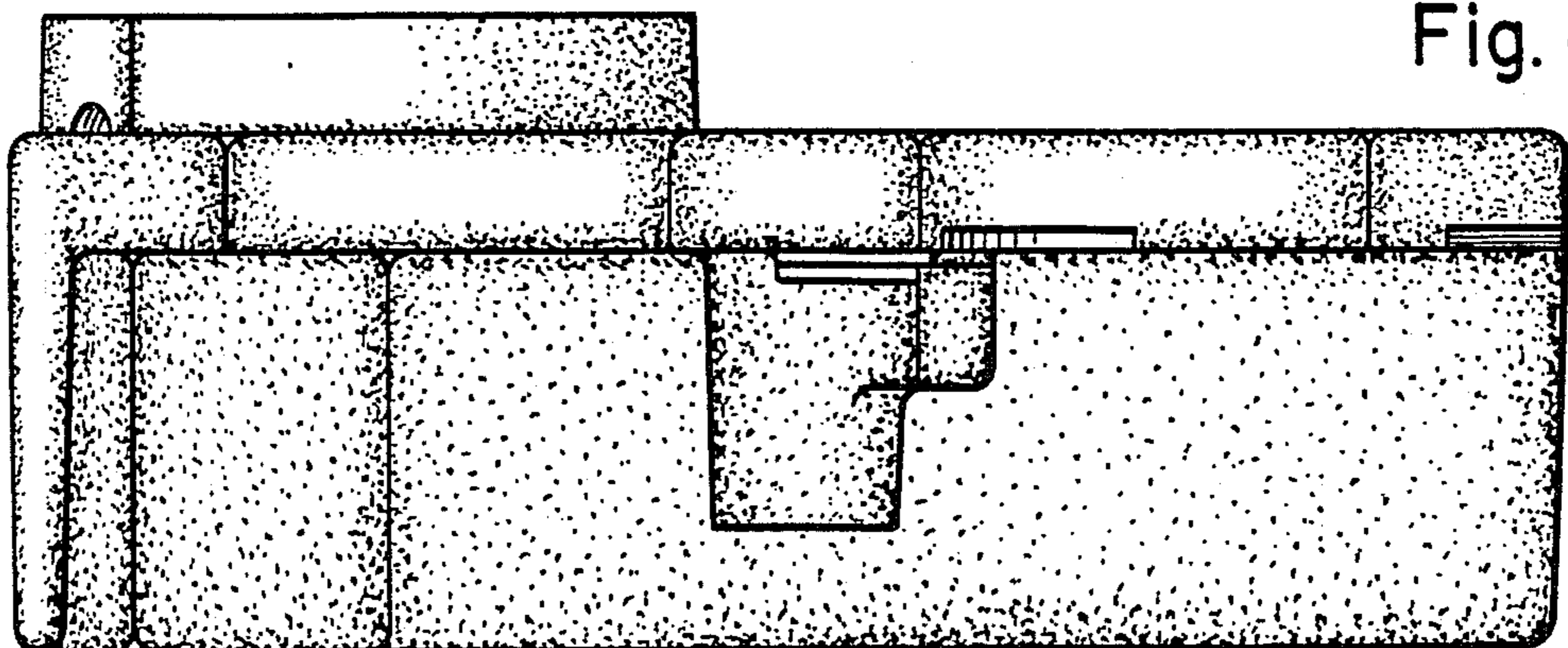


Fig. 8.