

[54] PORTABLE ELECTRIC GRINDER

[75] Inventors: Kiyoshi Hoshimo, Tokyo; Kazuyuki Takahashi, Hiroshima, both of Japan

[73] Assignee: Ryobi Ltd., Hiroshima, Japan

[**] Term: 14 Years

[21] Appl. No.: 736,902

[22] Filed: May 22, 1985

[30] Foreign Application Priority Data

Nov. 22, 1984 [JP] Japan 59-48082
[52] U.S. Cl. D8/62
[58] Field of Search D8/61-62;
51/170 R, 170 T, 170 TL, 170 MT, 134 SF;
D12/111, 114

[56] References Cited

U.S. PATENT DOCUMENTS

D. 240,418 7/1976 Hirano et al. D12/111
D. 255,417 6/1980 Sakamoto et al. D8/62
4,489,525 12/1984 Heck 51/170 R

OTHER PUBLICATIONS

Skil Catalogue for Industry & Construction, 1973, p. 50, Model 1140.
AEG Heavy Duty Power Tools catalogue, 1977, p. 27, Model WS700.
Black & Decker Industrial/Construction Division catalogue, 1982, p. 49, Model 4246-D9.

Primary Examiner—B. J. Bullock
Assistant Examiner—Brian N. Vinson
Attorney, Agent, or Firm—Sughrue, Mion, Zinn, Macpeak & Seas

[57] CLAIM

The ornamental design for a portable electric grinder, as shown.

DESCRIPTION

FIG. 1 is a front elevational view of a portable electric grinder showing our new design;
FIG. 2 is a rear elevational view thereof;
FIG. 3 is a top plan view thereof;
FIG. 4 is a bottom plan view thereof;
FIG. 5 is a left side elevational view thereof; and
FIG. 6 is a right side elevational view thereof.

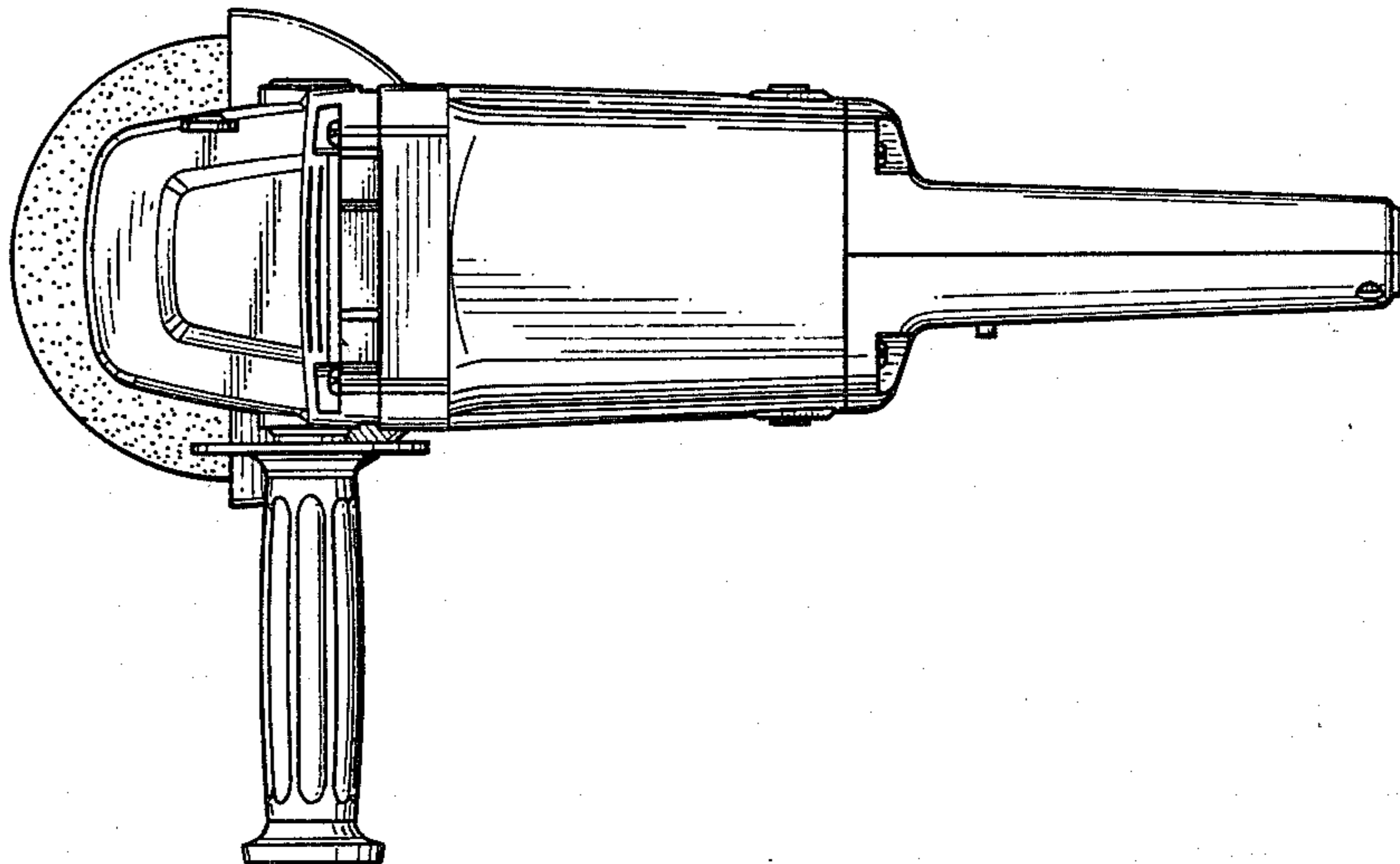
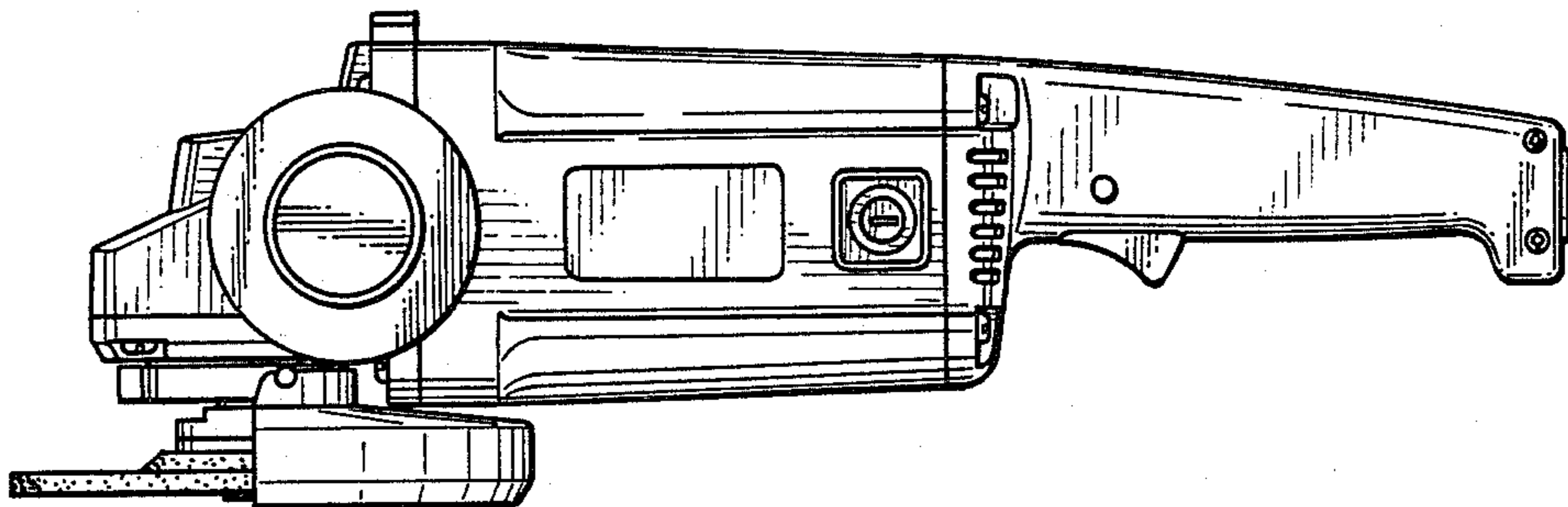


Fig. 1

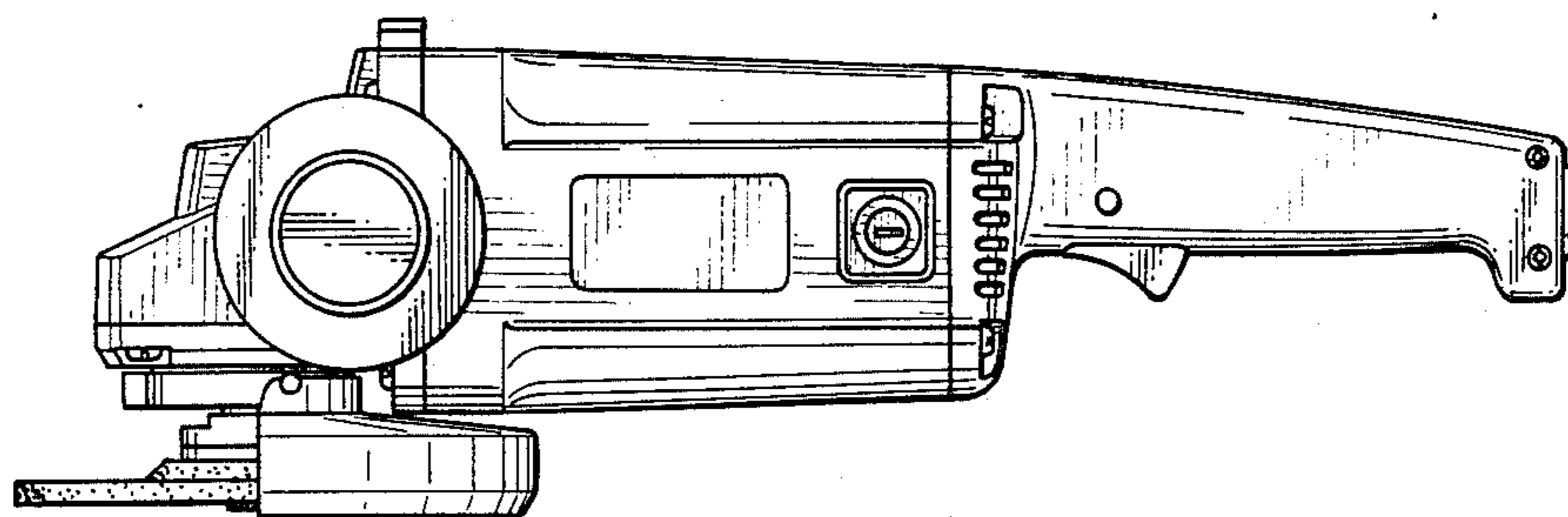


Fig. 2

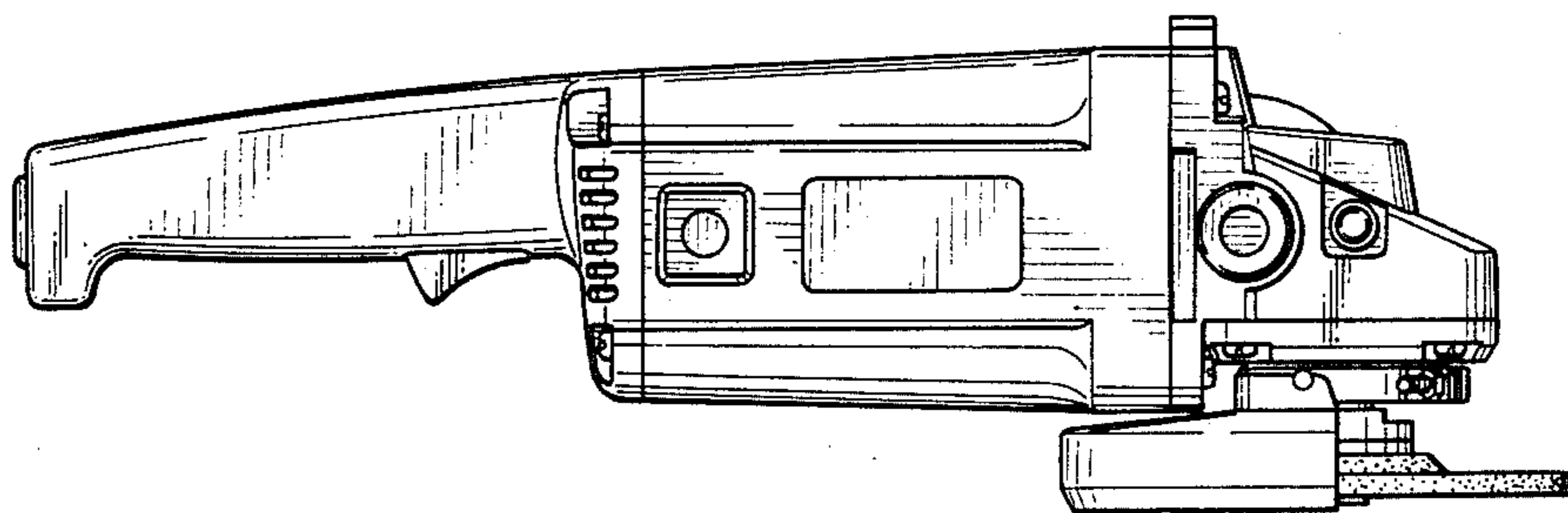


Fig. 3

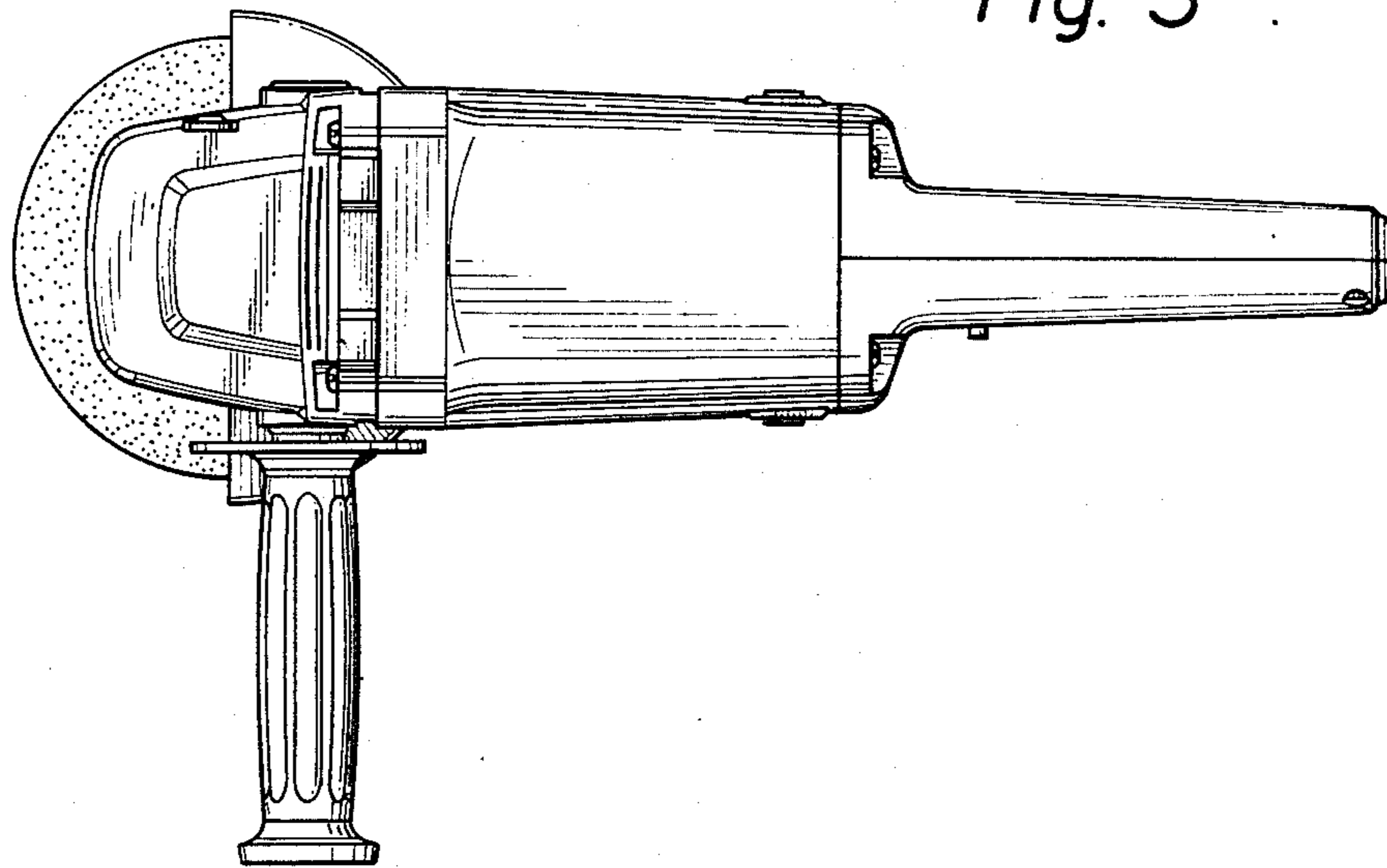


Fig. 4

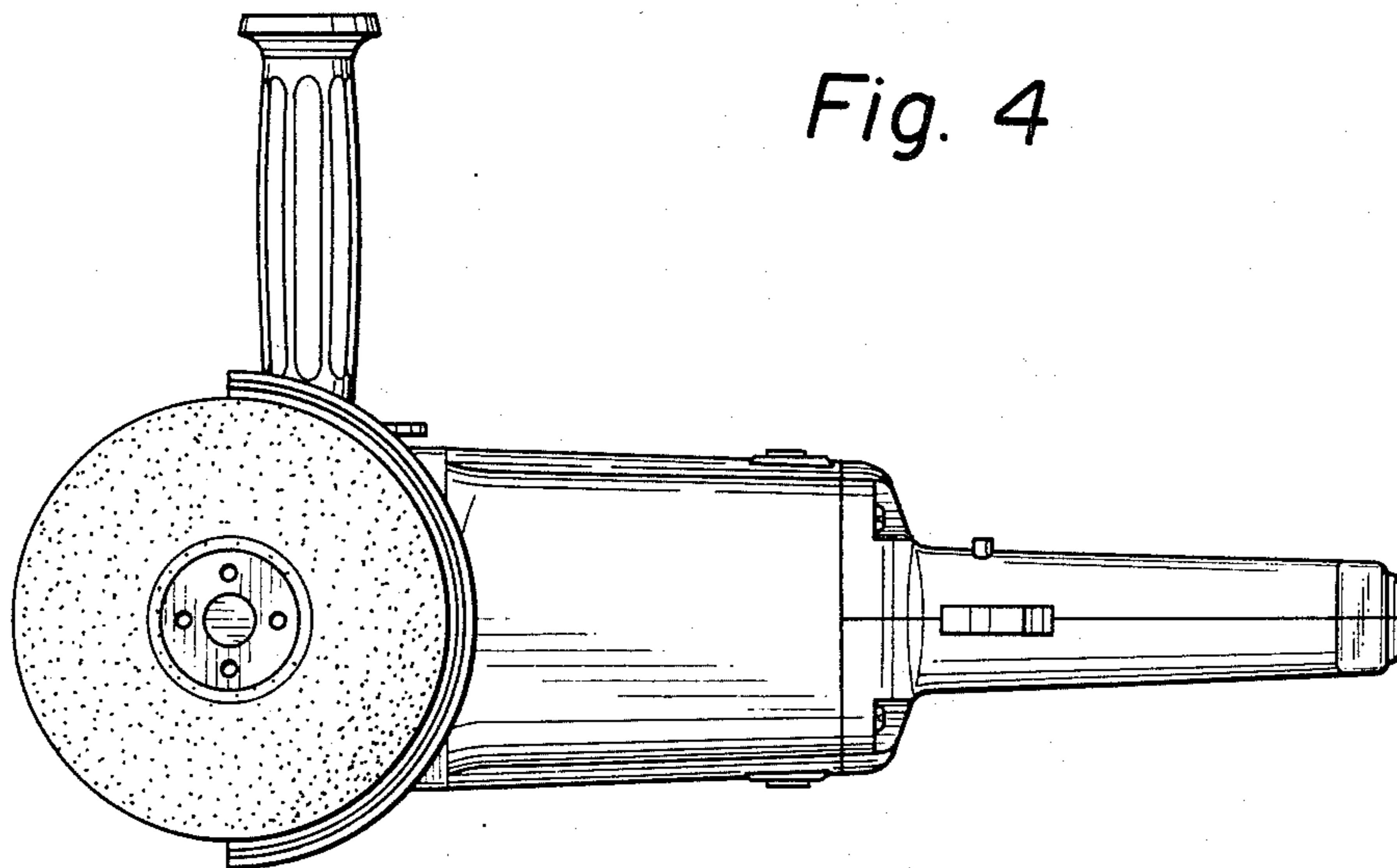


Fig. 5

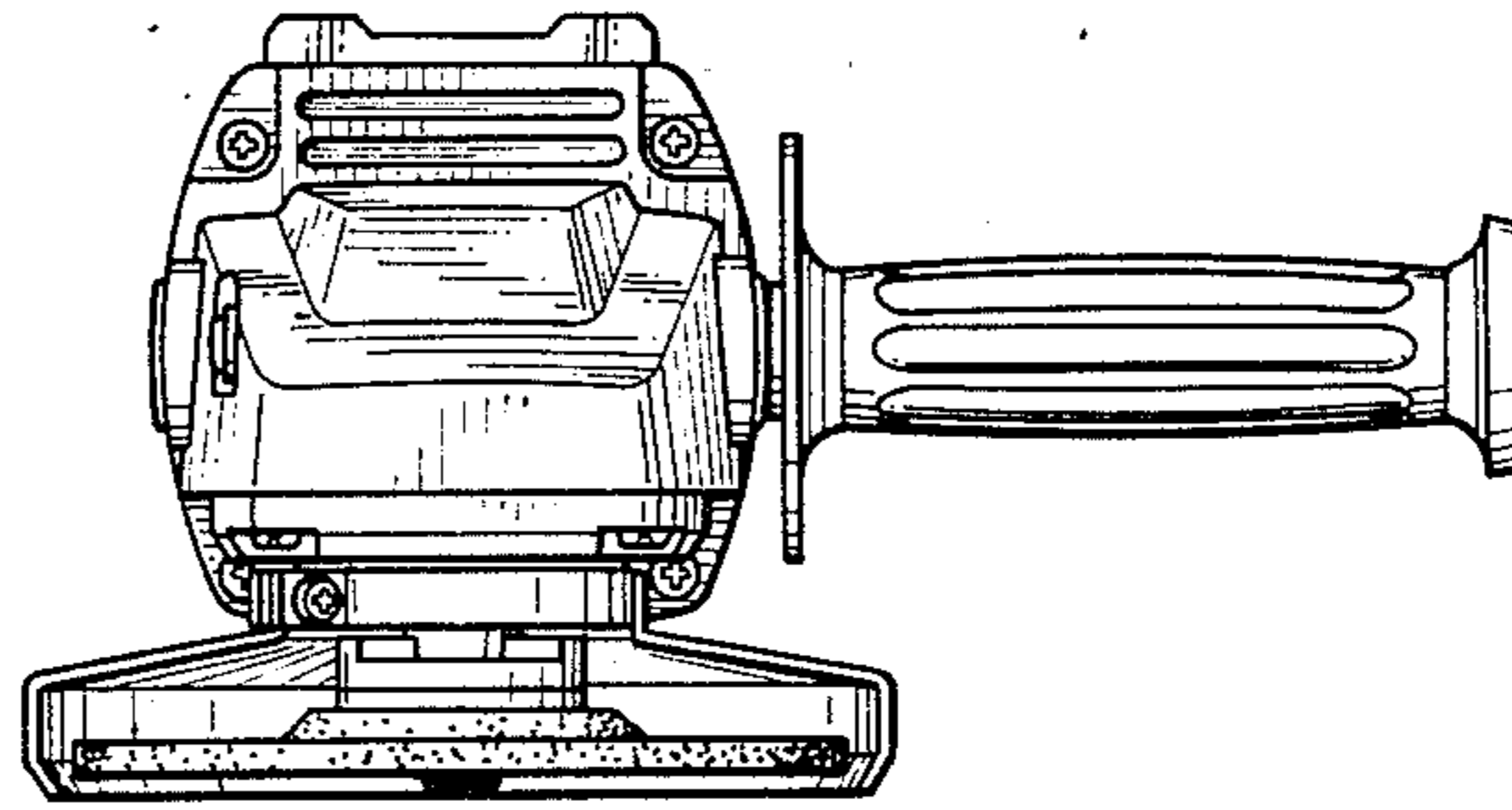


Fig. 6

