

[54] **PAINT TRIM GUARD**

[76] **Inventor: Jack D. Harless, 67 Monroe St.,  
Cadiz, Ky. 42211**

[\*\*] **Term: 14 Years**

[21] **Appl. No.: 748,901**

[22] **Filed: Jun. 26, 1985**

[52] **U.S. Cl. .... D8/14**

[58] **Field of Search ..... D8/14, 45, 107; D32/46,  
D32/47; 118/504, 505; 15/105.5, 236 R; 7/105;  
30/169**

[56] **References Cited**

**U.S. PATENT DOCUMENTS**

1,645,101	10/1927	Gibb et al. ....	15/236 R
2,453,863	11/1948	Salisbury .....	118/504
2,484,607	10/1949	Cherem .....	118/504
3,565,038	2/1971	Barriger .....	118/504

**OTHER PUBLICATIONS**

Goldblatt Catalog, 1975, p. 53, Plasterer's Shingle, fourth from top right of page.

Goldblatt Catalog, 1975, p. 64, Mud Holder, fourth from top left of page.

*Primary Examiner*—B. J. Bullock

*Assistant Examiner*—Clare E. Heflin

*Attorney, Agent, or Firm*—Gunn, Lee & Jackson

[57] **CLAIM**

The ornamental design for a paint trim guard, as shown and described.

**DESCRIPTION**

FIG. 1 is a perspective view of a paint trim guard showing my new design;

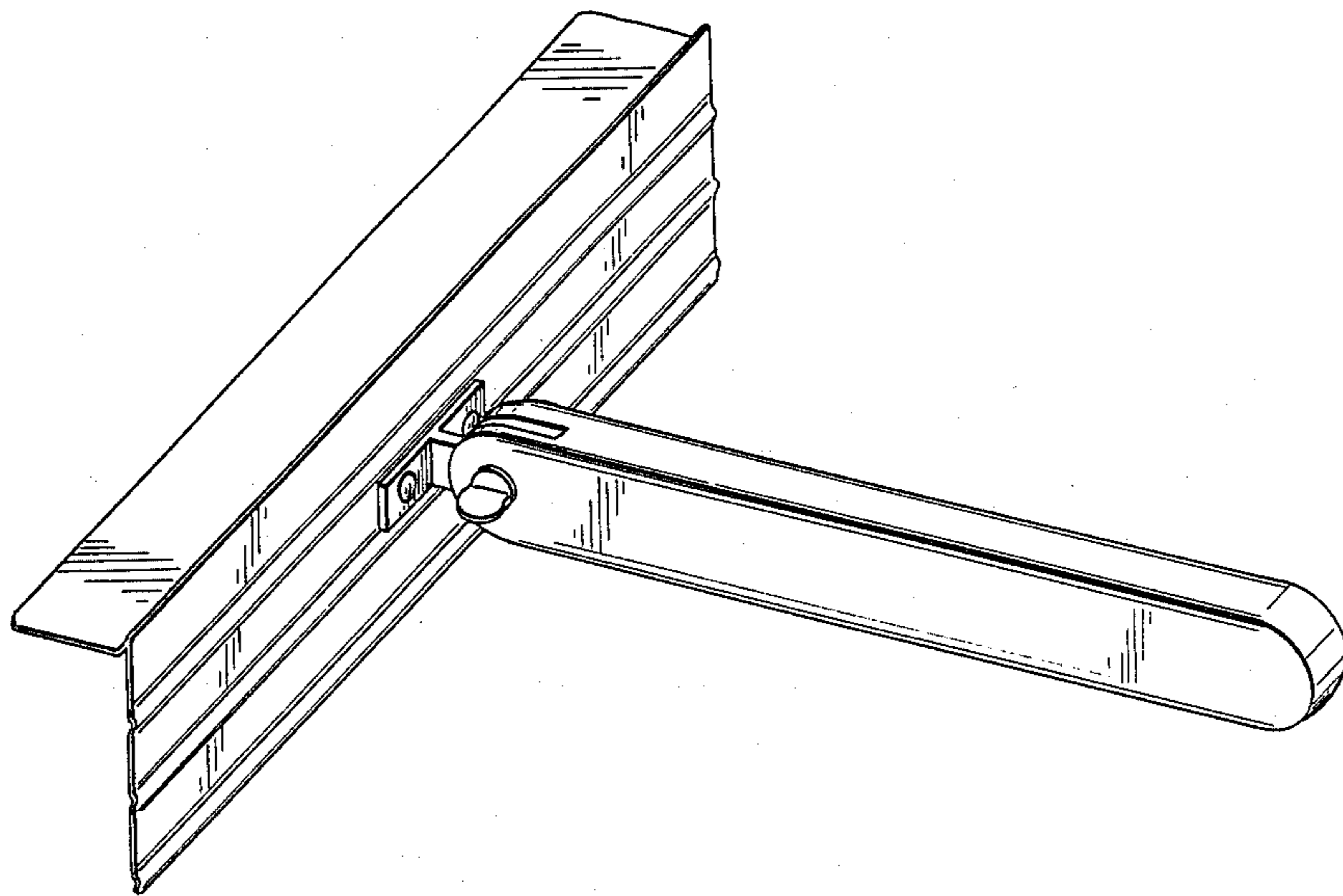
FIG. 2 is a reduced side elevational view thereof;

FIG. 3 is a reduced top plan view thereof;

FIG. 4 is a reduced bottom plan view thereof;

FIG. 5 is a reduced rear elevational view thereof;

FIG. 6 is a reduced front elevational view thereof.



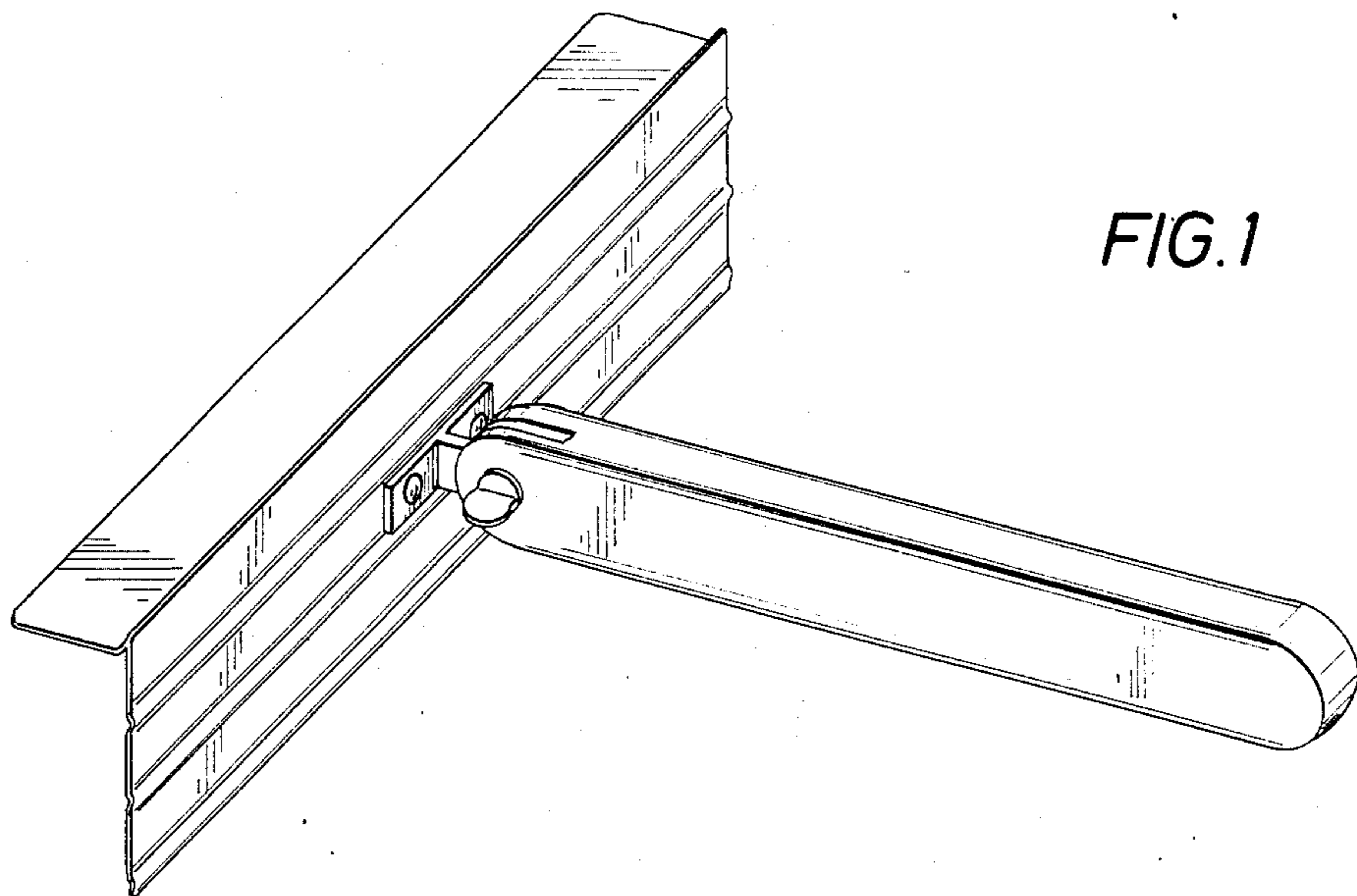


FIG. 1

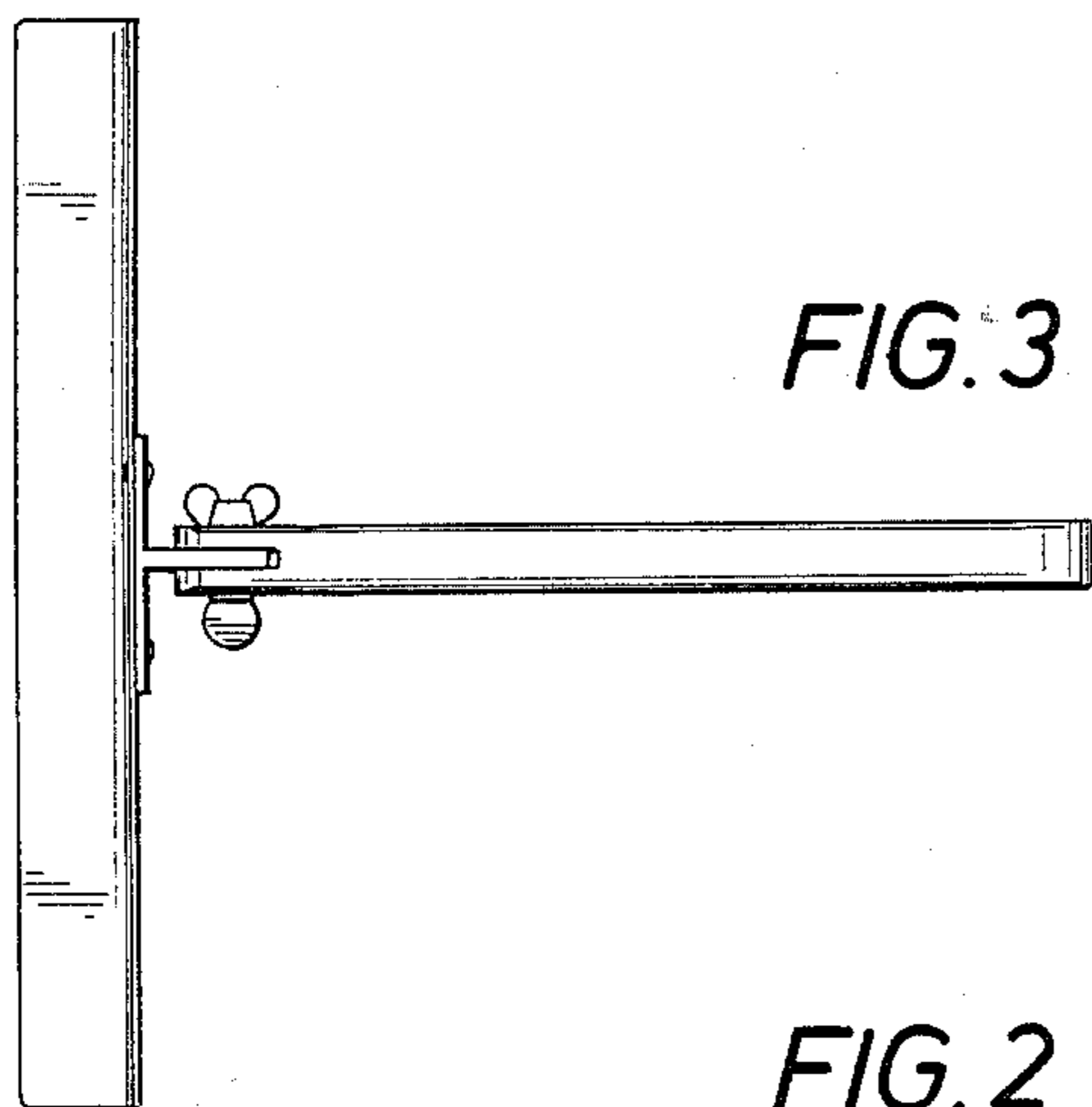


FIG. 3

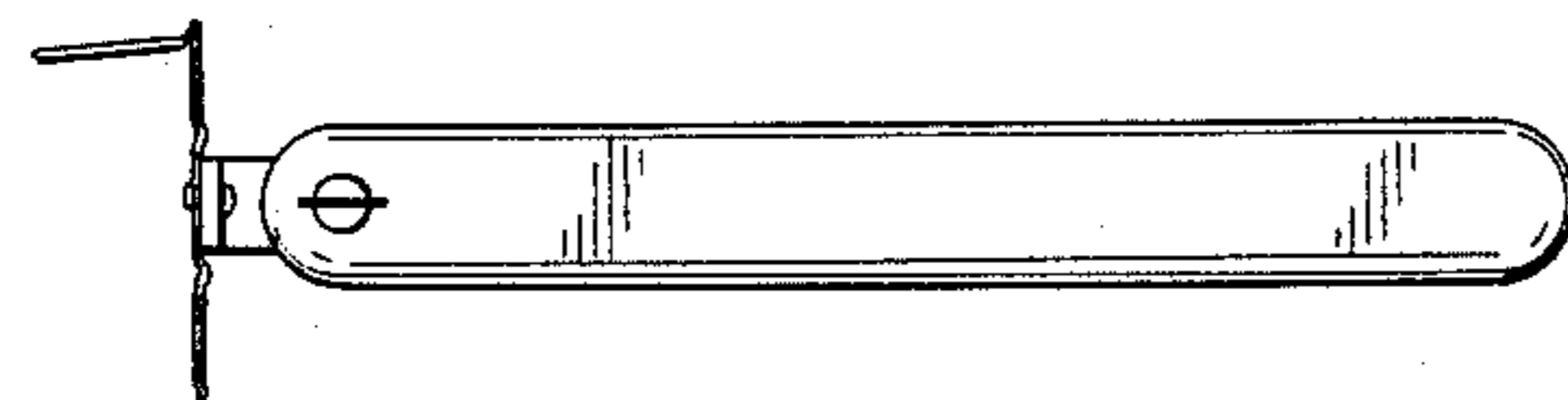


FIG. 2

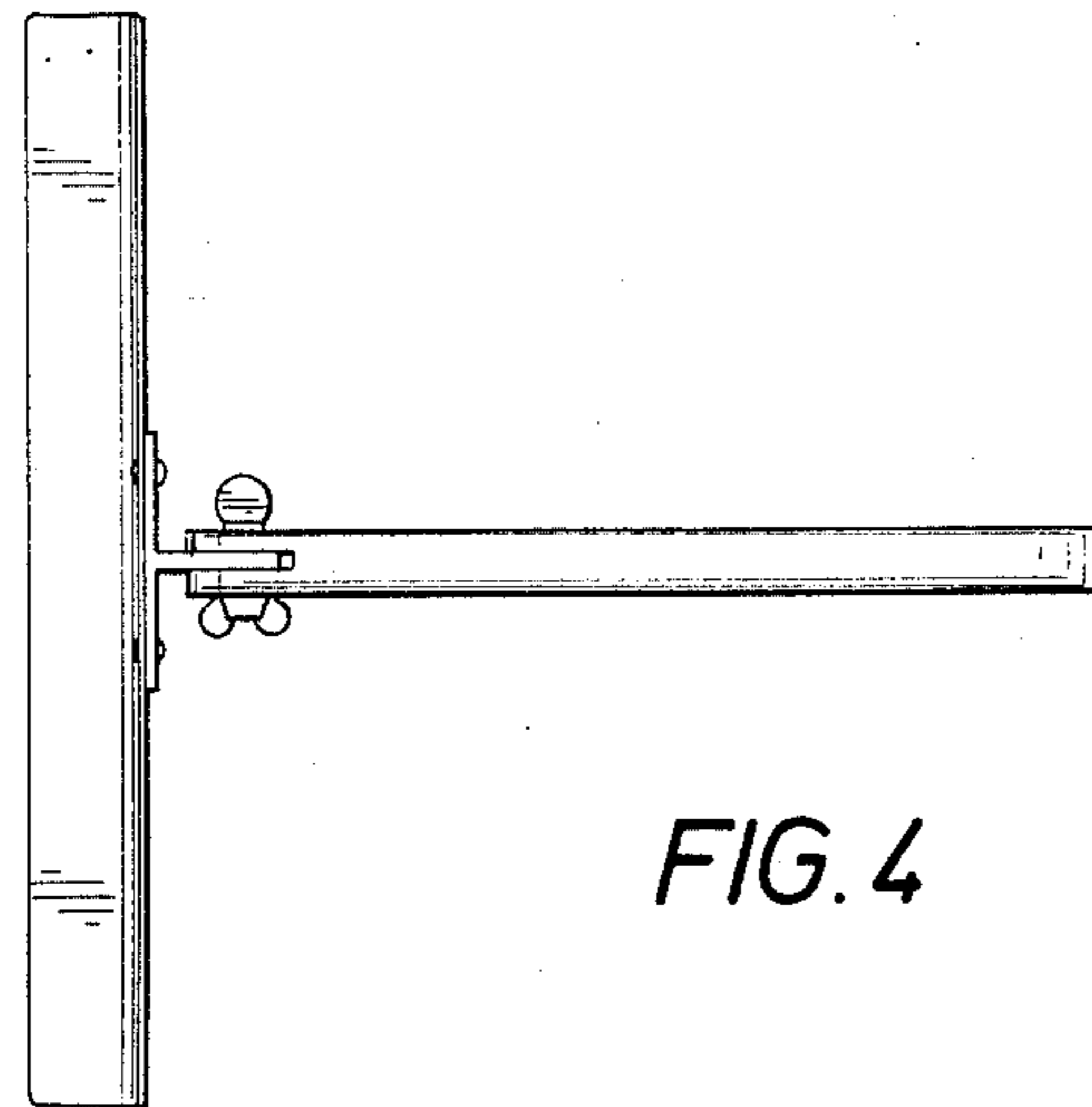


FIG. 4

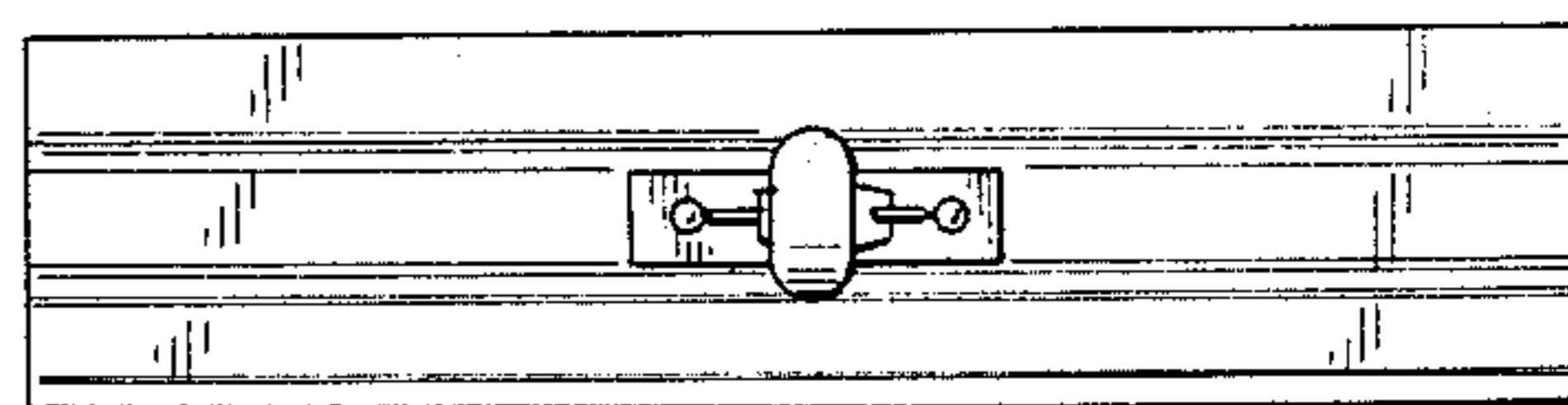


FIG. 5

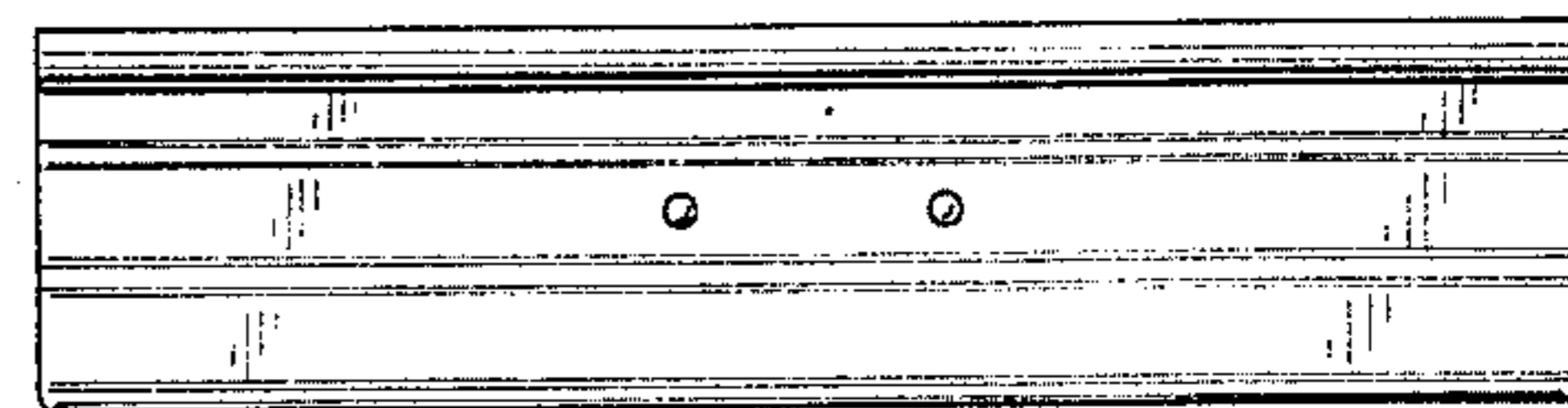


FIG. 6