

[54] **FOOD PROCESSOR**

[75] **Inventor: Jean-Louis Barrault,**  
Boulogne-Billancourt, France

[73] **Assignee: Moulinex, Societe Anonyme,**  
Bagnolet, France

[\*\*] **Term: 14 Years**

[21] **Appl. No.: 807,493**

[22] **Filed: Dec. 10, 1985**

[30] **Foreign Application Priority Data**

Jul. 18, 1985 [FR] France ..... 853 453

[52] **U.S. Cl. .... D7/384; D7/381**

[58] **Field of Search ..... D7/384, 383, 368, 372,**  
D7/374, 376, 377, 378, 381, 323

[56] **References Cited**

**U.S. PATENT DOCUMENTS**

D. 250,568 12/1978 Belinkoff ..... D7/384

D. 254,948 5/1980 Besford ..... D7/384

D. 256,318 8/1980 Levin ..... D7/384

D. 272,979 3/1984 Akita et al. .... D7/384

D. 290,676 7/1987 Stutzer et al. .... D7/384

**OTHER PUBLICATIONS**

*Hong Kong Enterprise*, Oct. 1982, p. 265, Food Processor Blender Combination shown.

*Primary Examiner*—Winifred E. Herrmann

*Attorney, Agent, or Firm*—Young & Thompson

[57] **CLAIM**

The ornamental design for a food processor, as shown.

**DESCRIPTION**

FIG. 1 is a perspective view of a food processor showing my new design;

FIG. 2 is a front elevational view thereof;

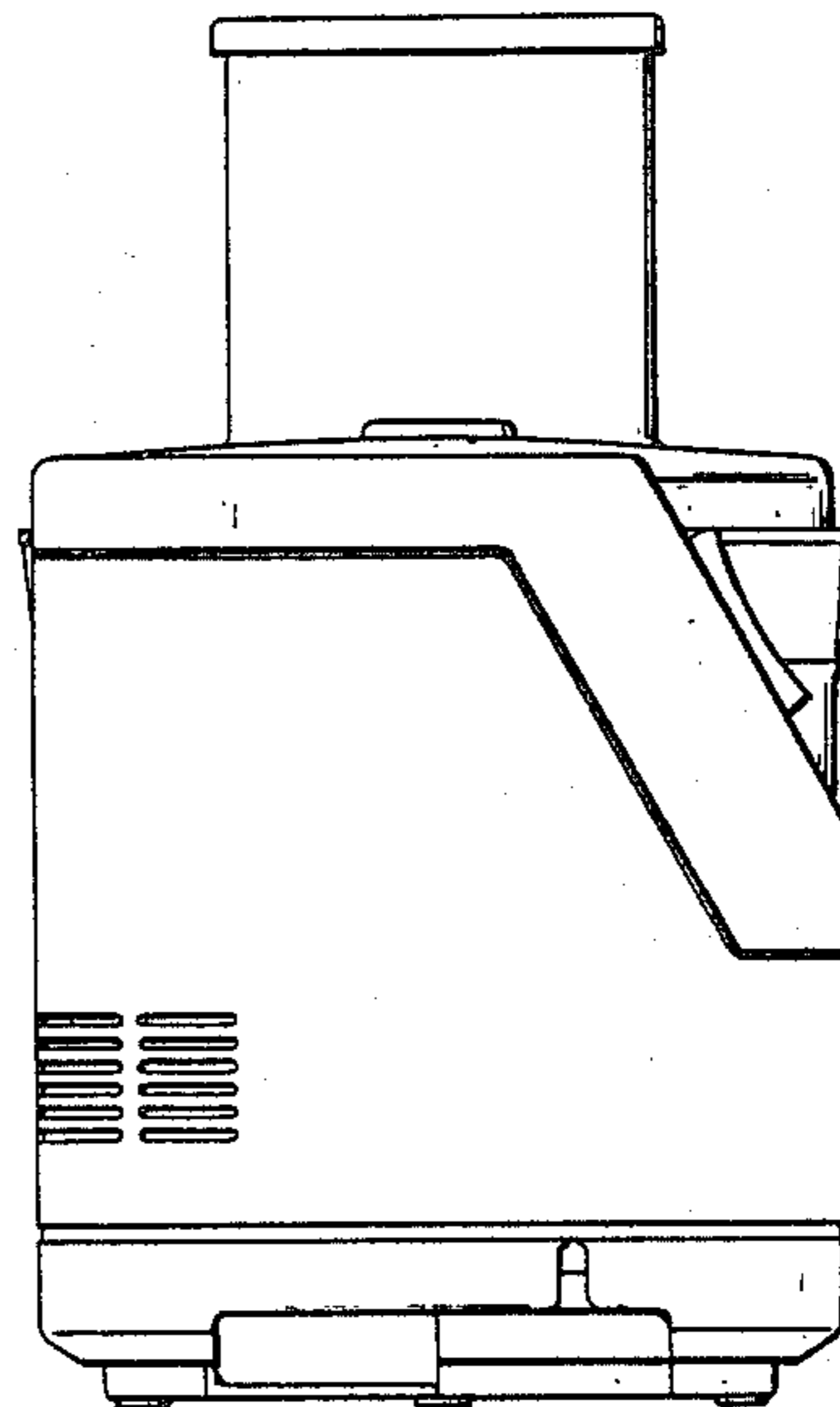
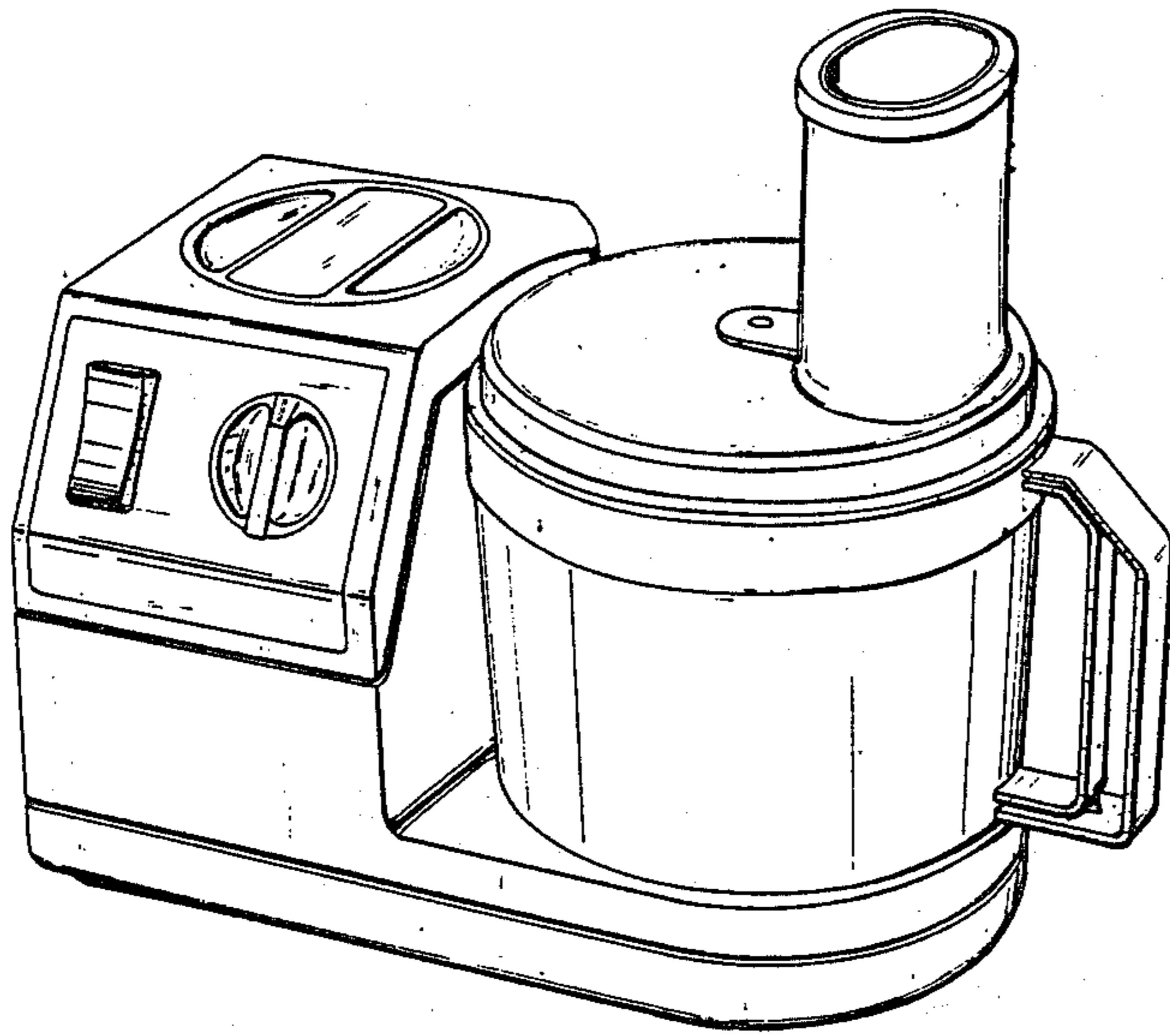
FIG. 3 is a rear elevational view thereof;

FIG. 4 is a right-side elevational view thereof;

FIG. 5 is a left-side elevational view thereof;

FIG. 6 is a top plan view thereof;

FIG. 7 is a bottom plan view thereof.



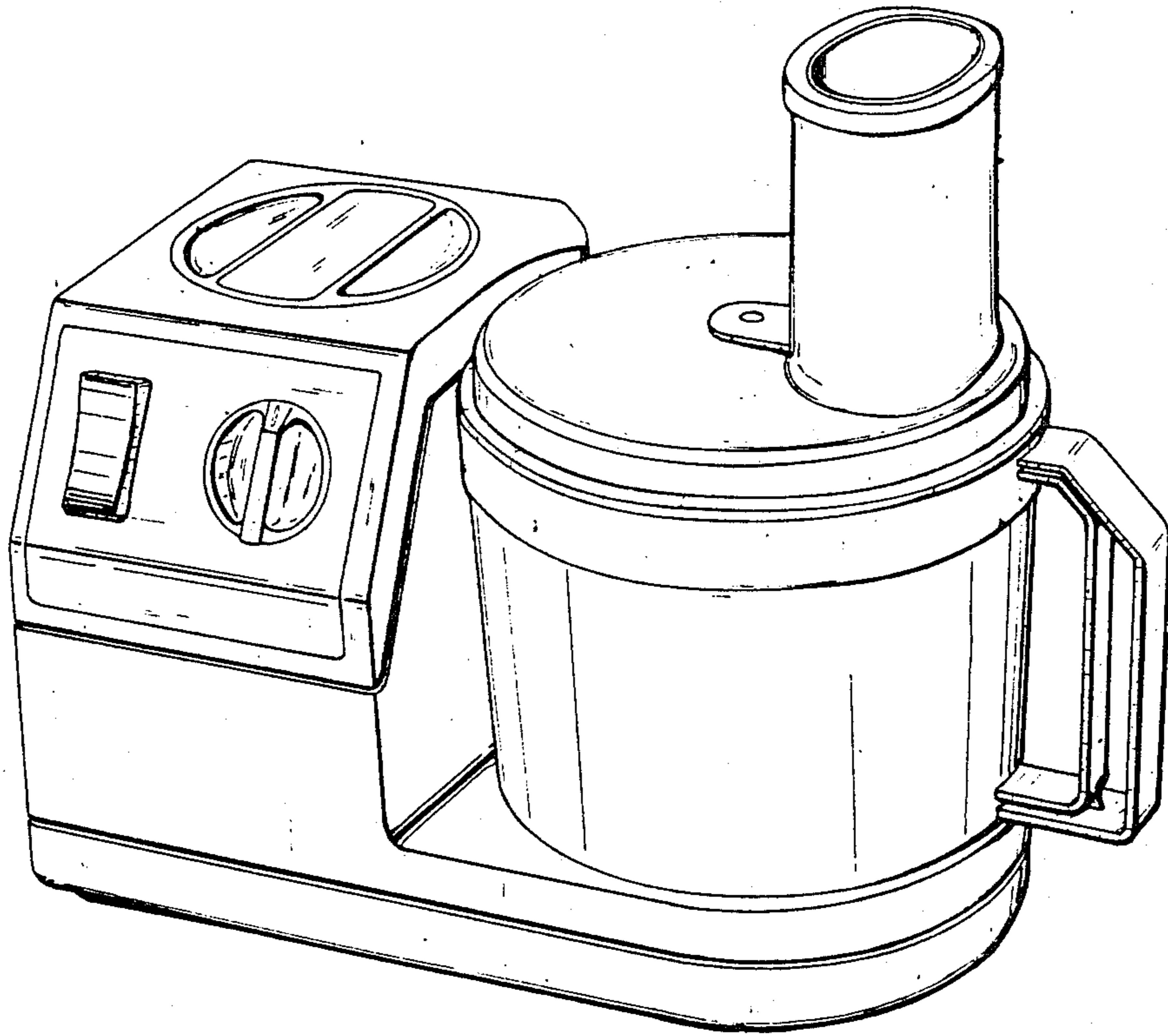


FIG 1

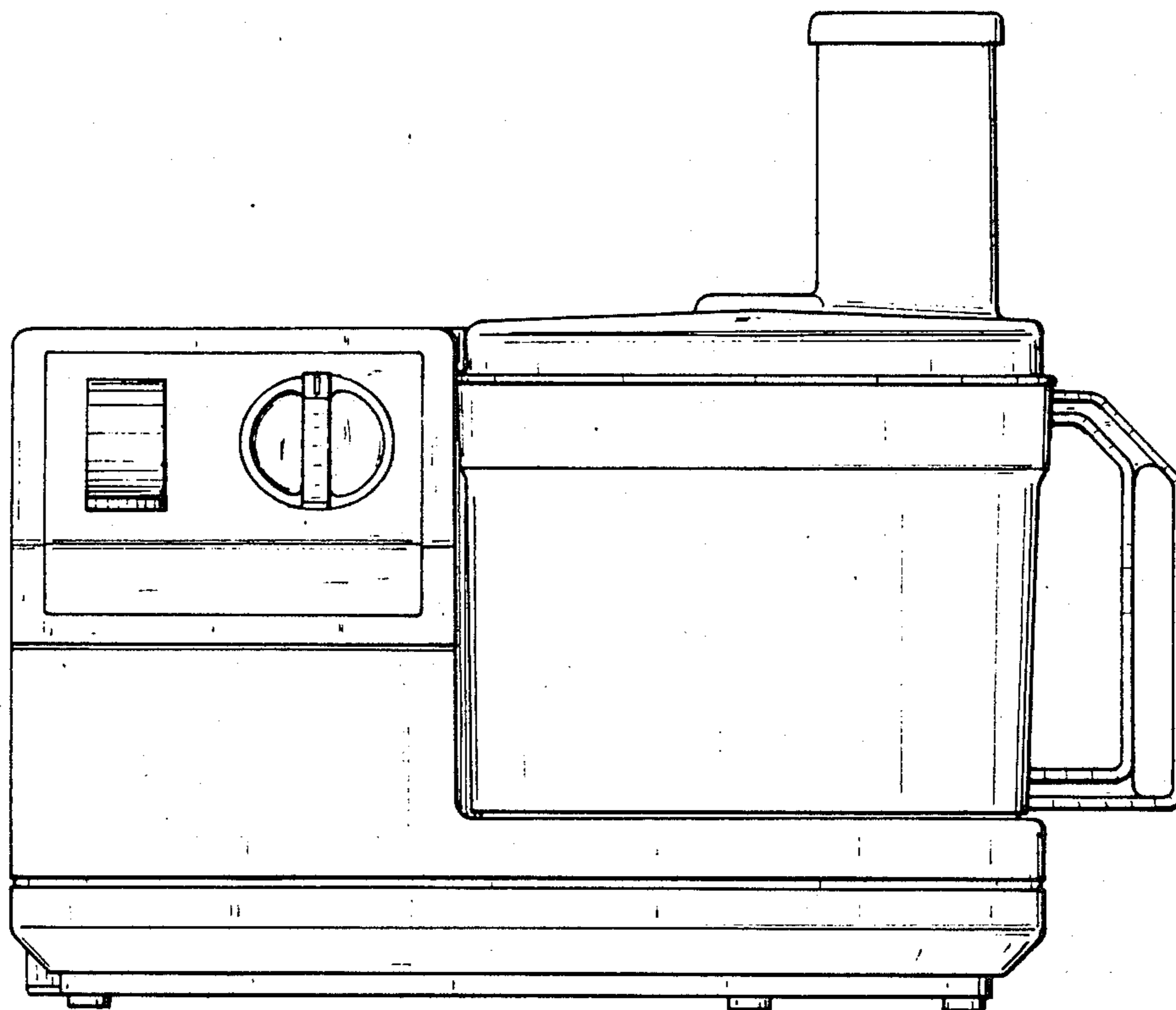


FIG 2

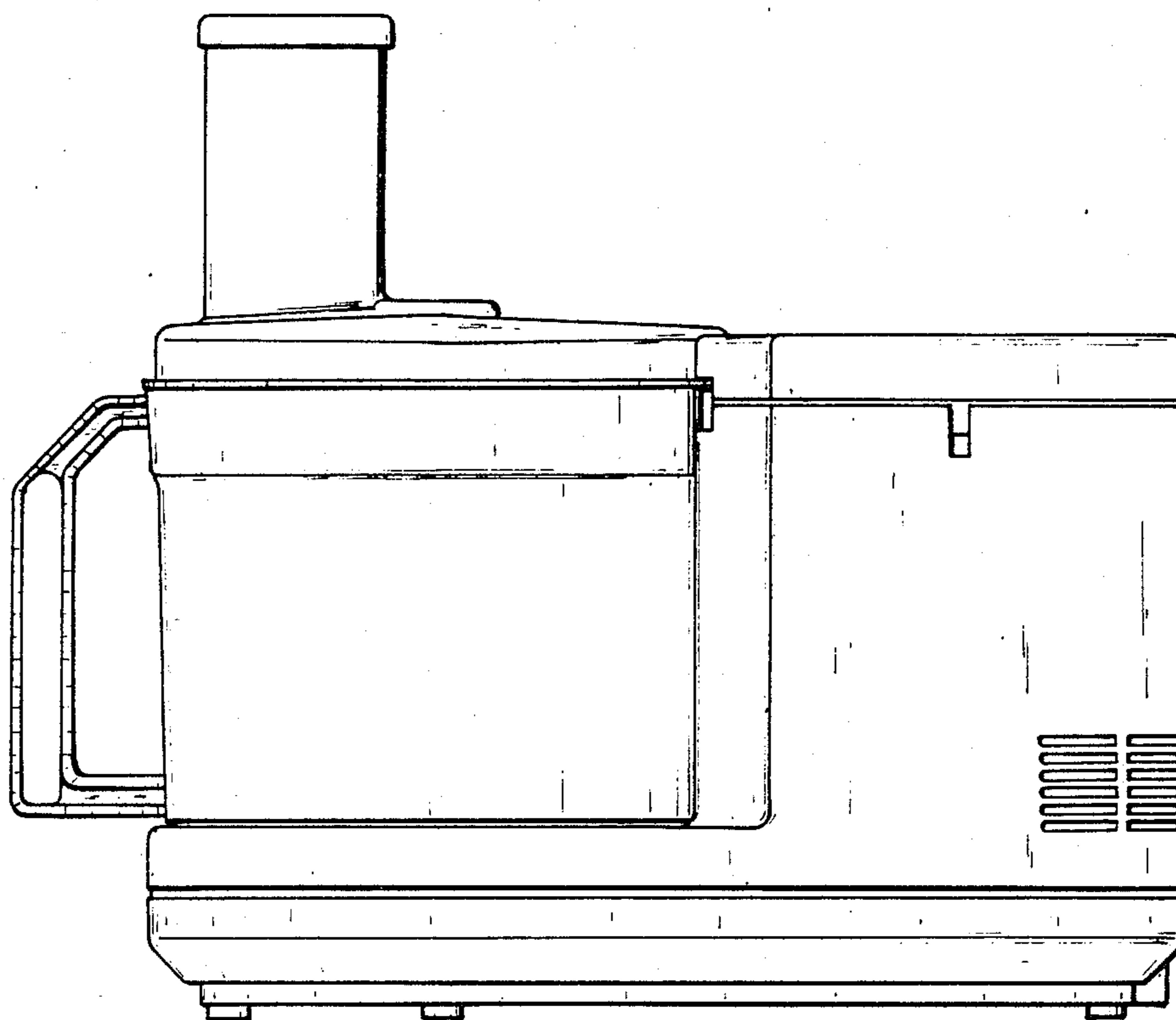


FIG 3

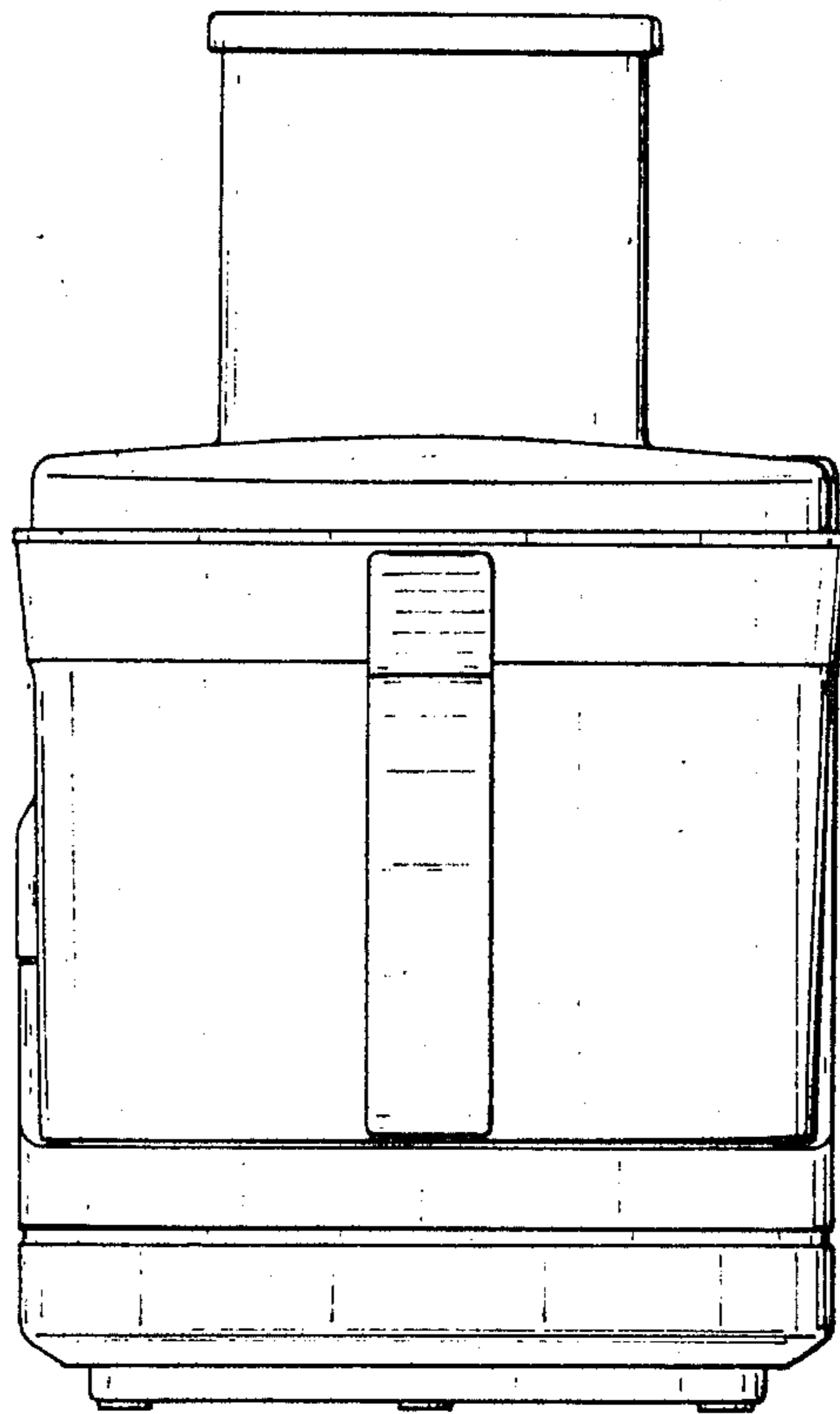


FIG 4

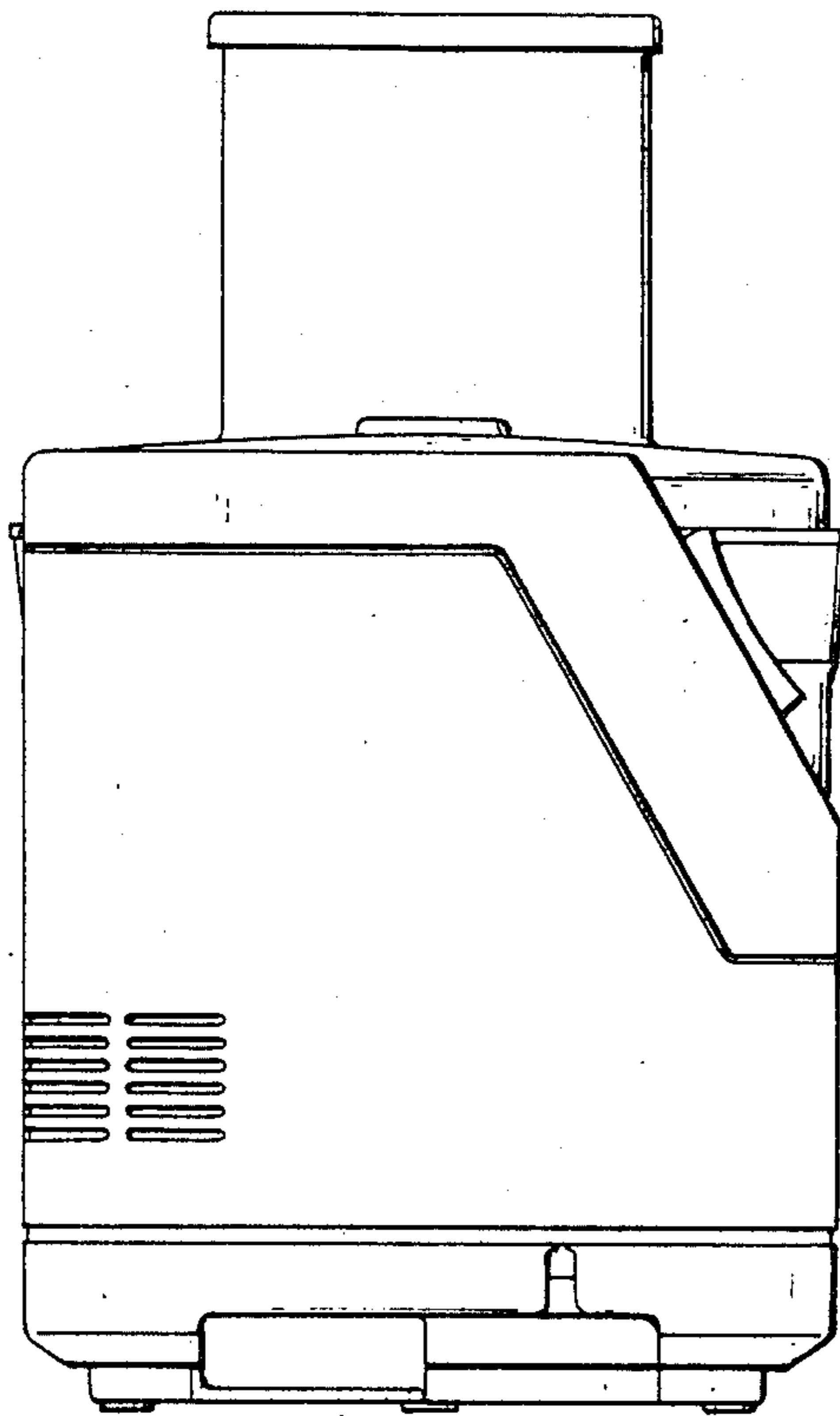


FIG 5

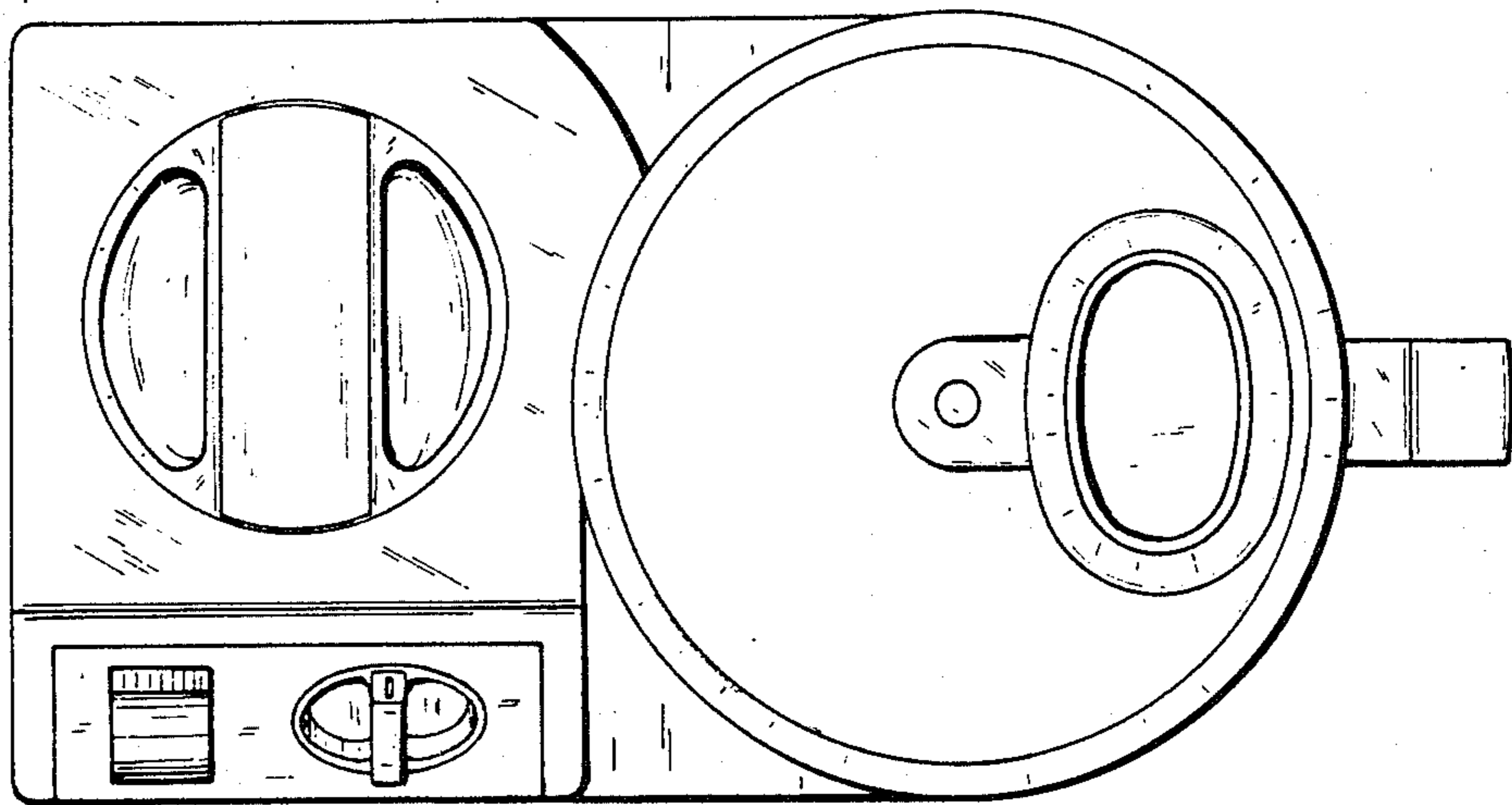


FIG 6

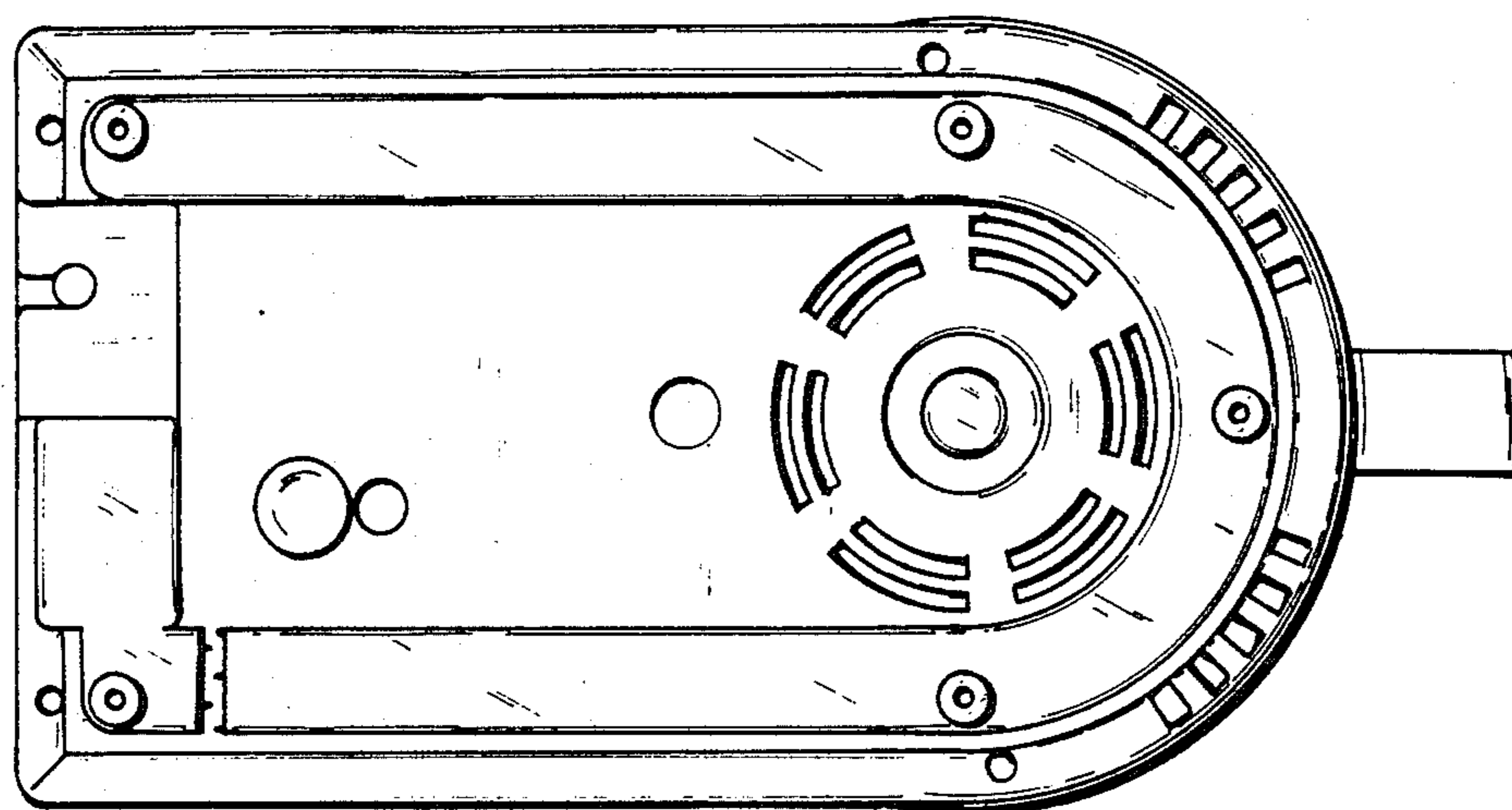


FIG 7