

[54] **VACUUM JUG OR SIMILAR ARTICLE**

D. 286,254 10/1986 Zimmermann D7/317

[76] **Inventor: Frank T. S. Huang, 6th Fl., No. 152, Chung-Hsiao E. Rd., Sec. 1, Taipei, Taiwan**

Primary Examiner—Winifred E. Herrmann
Attorney, Agent, or Firm—Armstrong, Nikaido, Marmelstein & Kubovcik

[**] **Term: 14 Years**

[57] **CLAIM**

[21] **Appl. No.: 812,653**

The ornamental design for a vacuum jug or similar article, as shown and described.

[22] **Filed: Dec. 23, 1985**

[52] **U.S. Cl. D7/317; D7/319**

[58] **Field of Search D7/300, 312, 316-322, D7/77, 51, 309, 310**

DESCRIPTION

FIG. 1 is a top, front perspective view taken from one side of a vacuum jug or similar article showing my new design;

FIG. 2 is a front elevation thereof;

FIG. 3 is a top plan view thereof;

FIG. 4 is a rear elevation thereof;

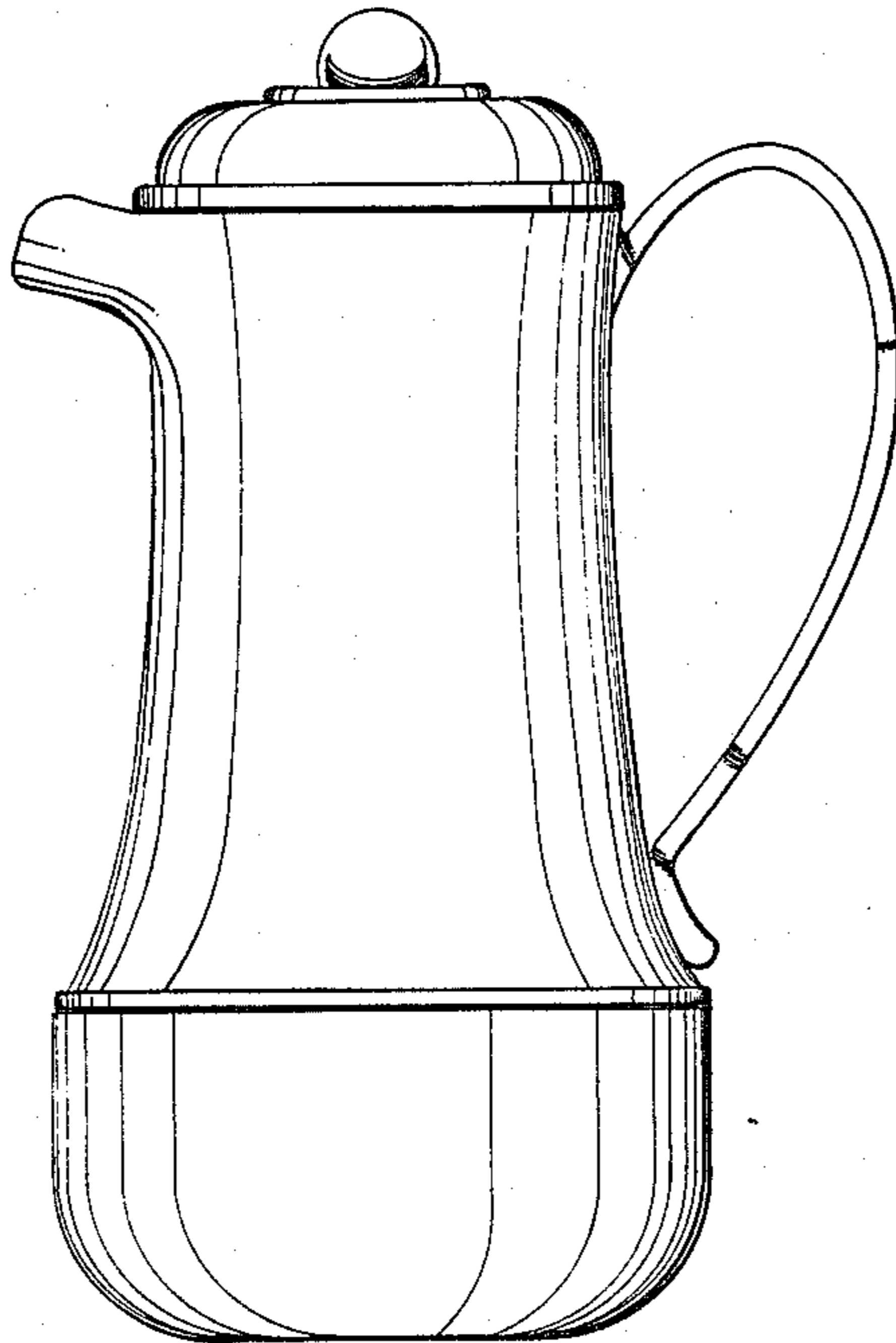
FIG. 5 is a bottom plan view thereof; and

FIG. 6 is a side elevation thereof, the opposite side being the same.

[56] **References Cited**

U.S. PATENT DOCUMENTS

D. 2,226 12/1865 Stone D7/317
D. 79,069 7/1929 Ford D7/321
D. 285,039 8/1986 Zimmermann D7/317



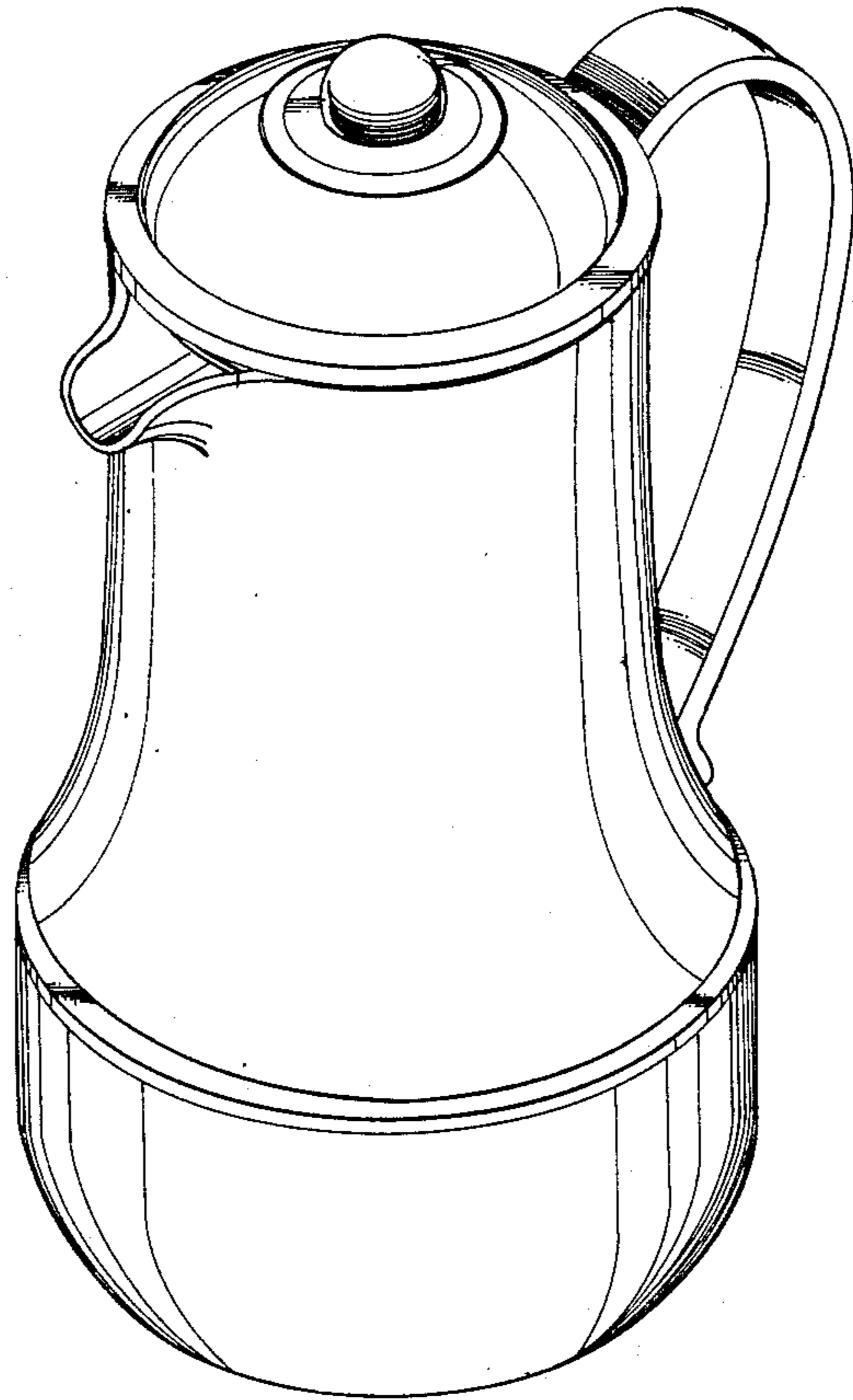


Fig. 1

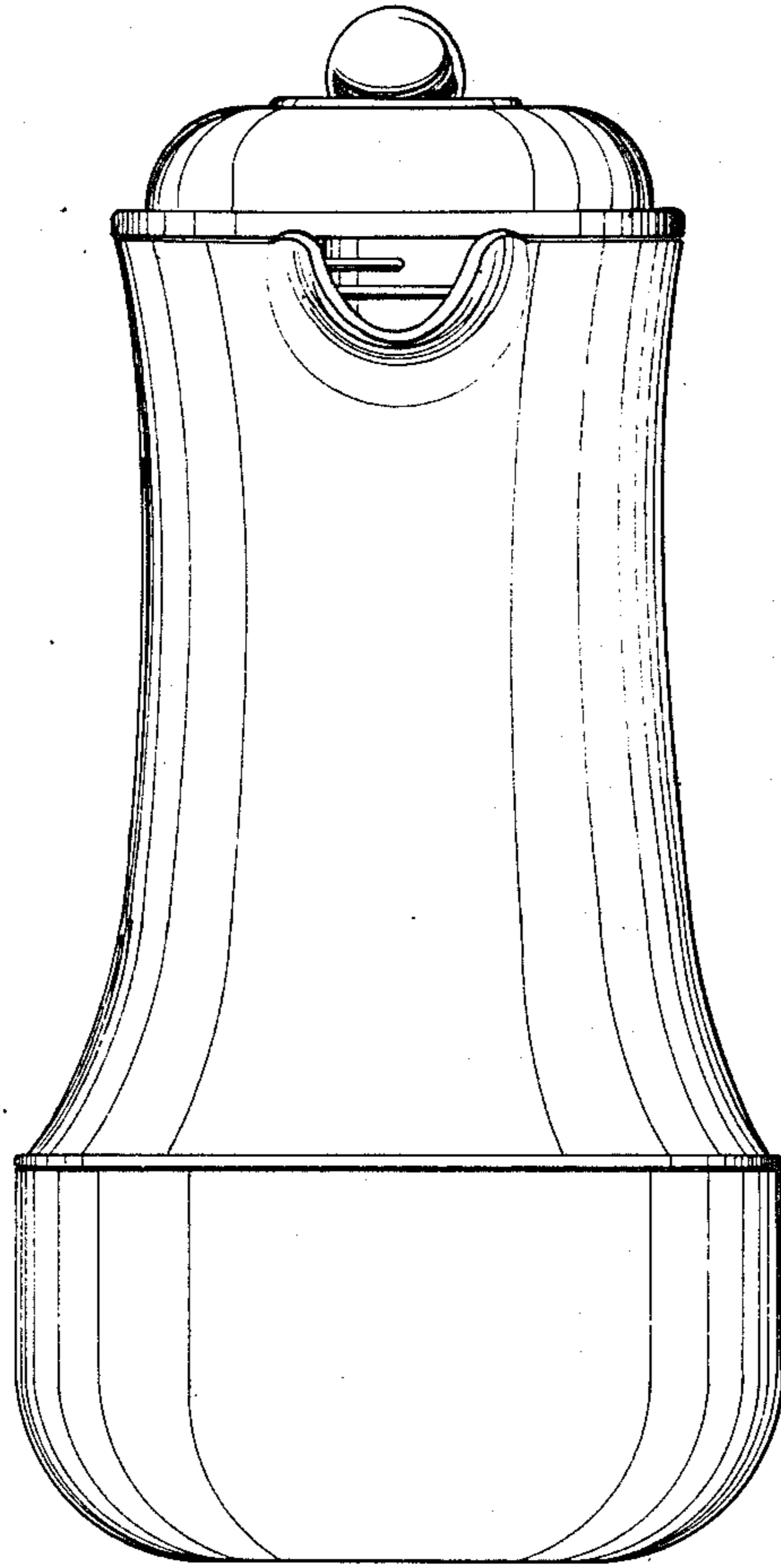


Fig. 2

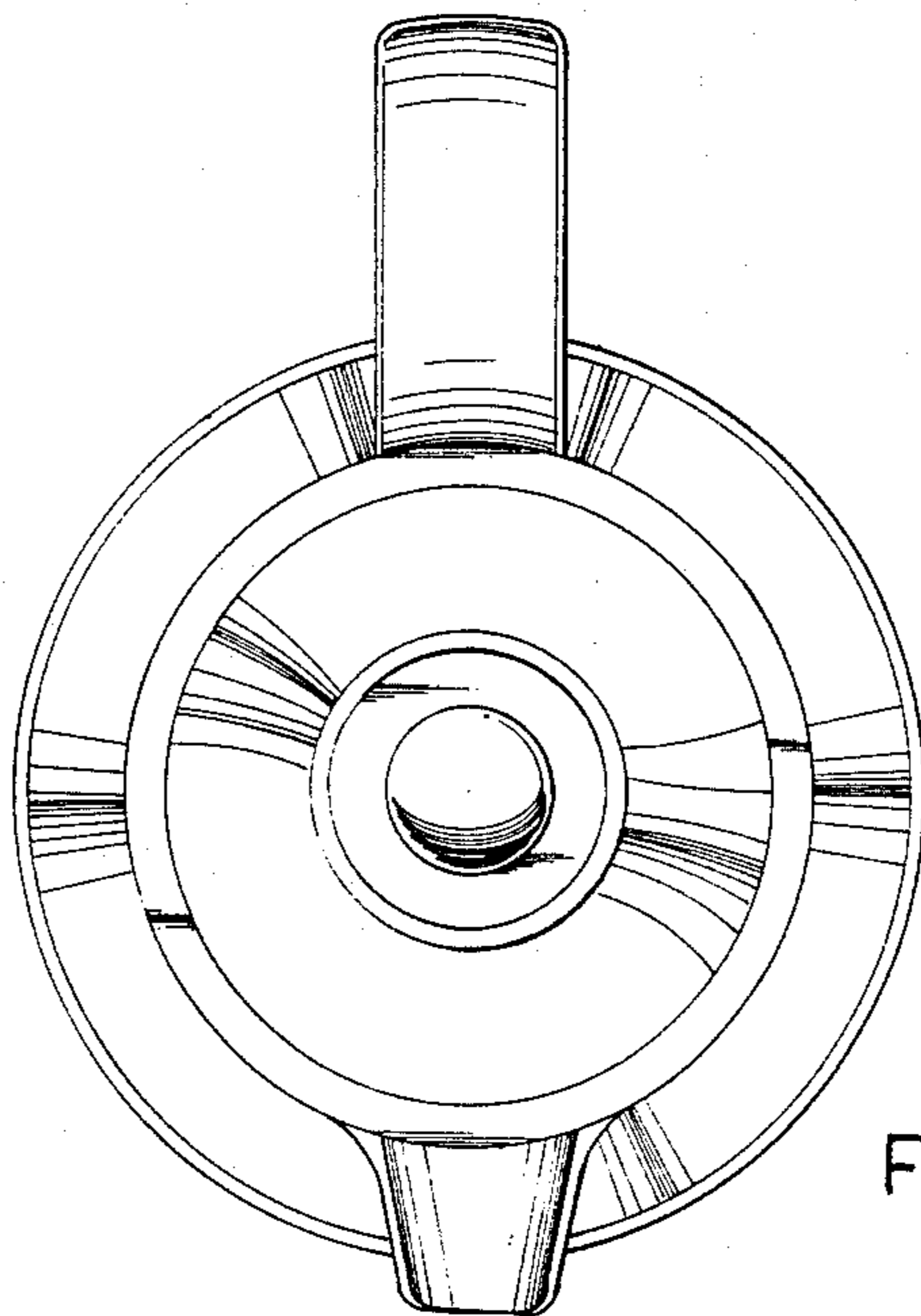


Fig. 3

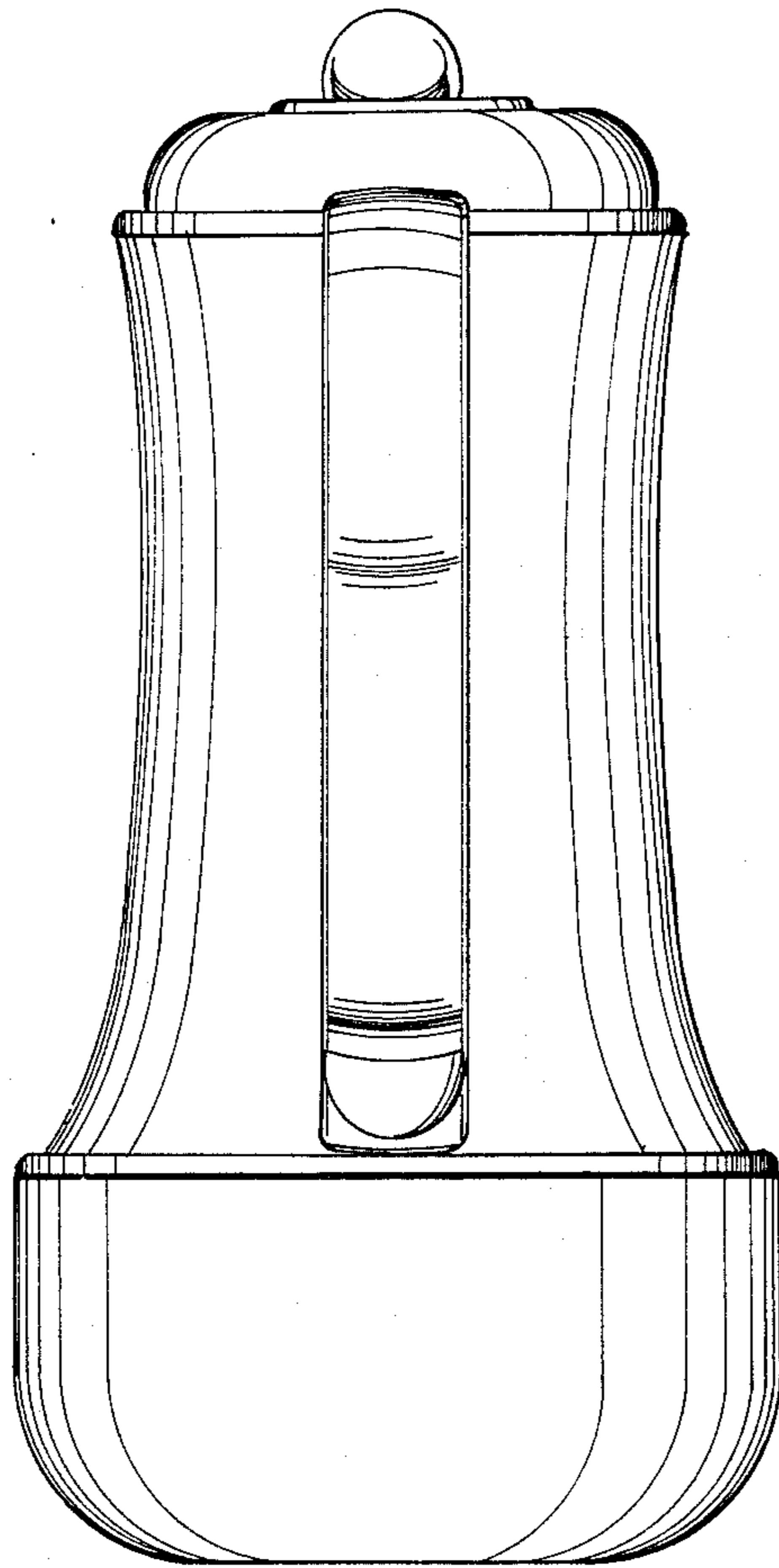


Fig. 4

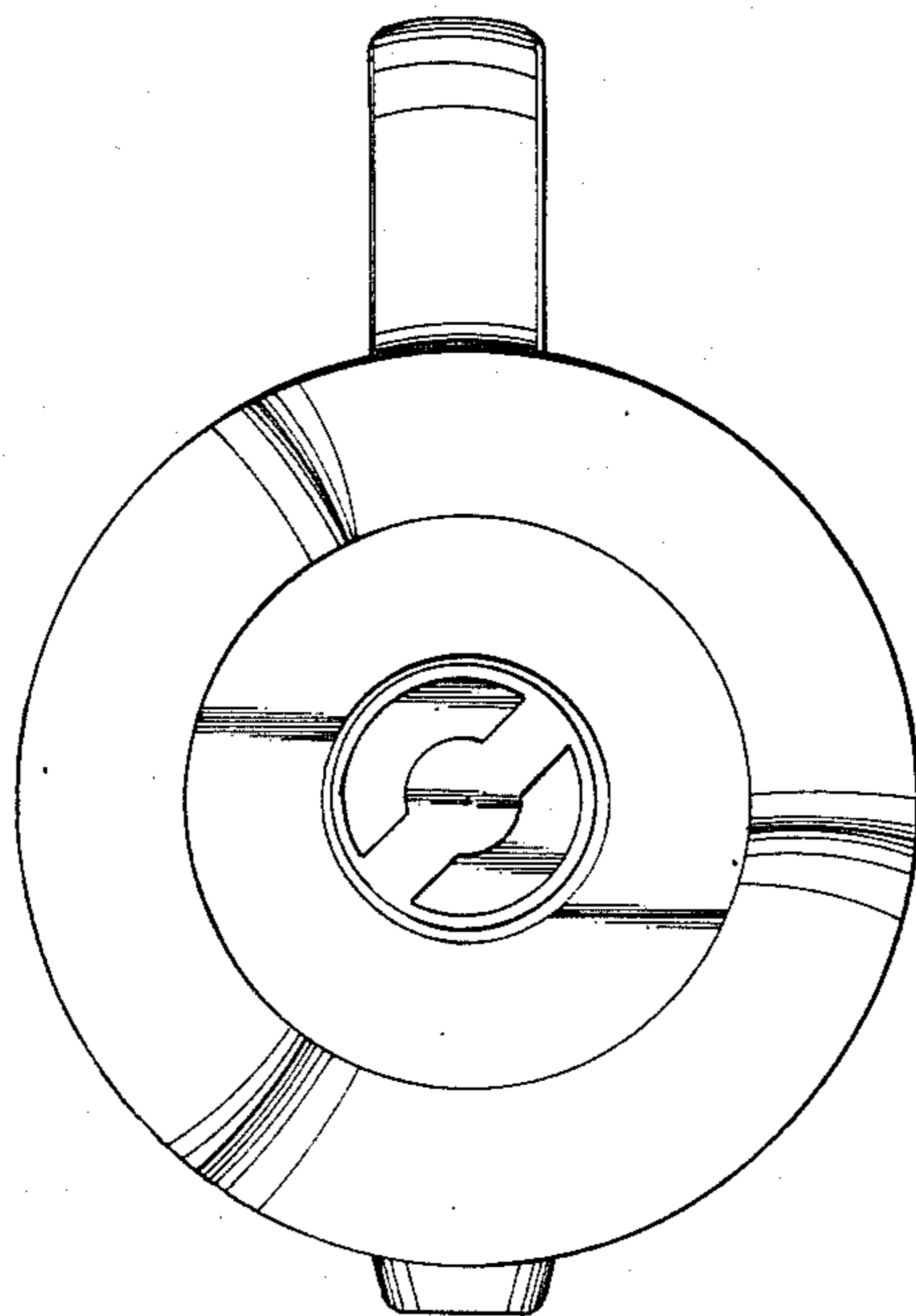


Fig. 5

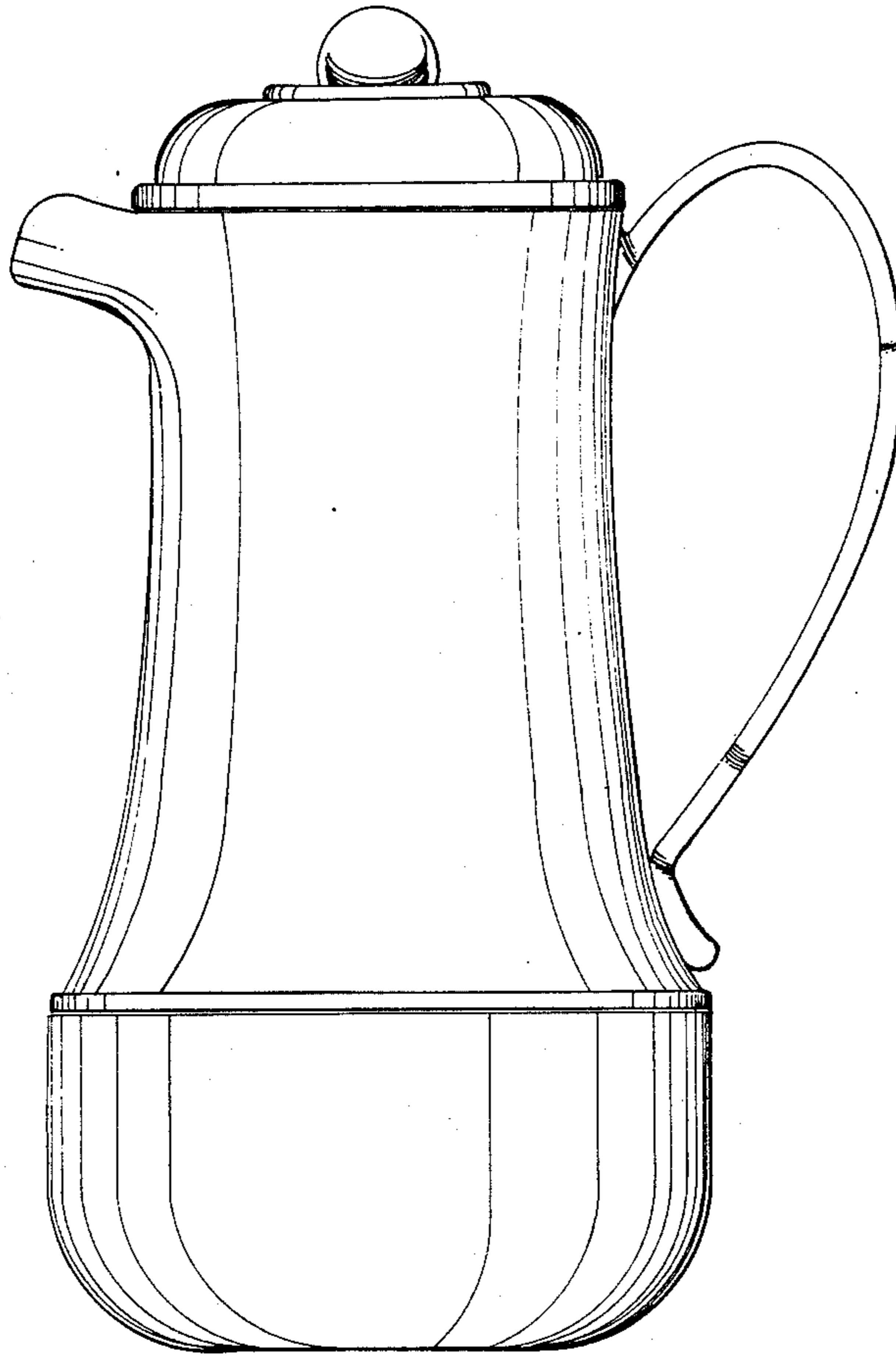


Fig.6