

# United States Patent [19]

Mattei

[11] Patent Number: **Des. 297,895**

[45] Date of Patent: **\*\* Oct. 4, 1988**

[54] PAPER ROLL HOLDER

[75] Inventor: **Maurizio Mattei, Marcerata, Italy**

[73] Assignee: **Fratelli Guzzini S.p.A., Recanati, Italy**

[\*\*] Term: **14 Years**

[21] Appl. No.: **819,526**

[22] Filed: **Jan. 16, 1986**

[30] **Foreign Application Priority Data**

Jul. 22, 1985 [IT] Italy ..... 22 569B/85  
[52] U.S. Cl. .... **D6/521**  
[58] Field of Search ..... D6/512, 515, 518, 521-523;  
211/13, 60.1, 16; 206/389; 242/55.2, 55.54;  
248/176

[56] **References Cited**

**U.S. PATENT DOCUMENTS**

D. 286,720 11/1986 Minuti ..... D6/521  
4,377,268 3/1983 Wolford ..... 248/176

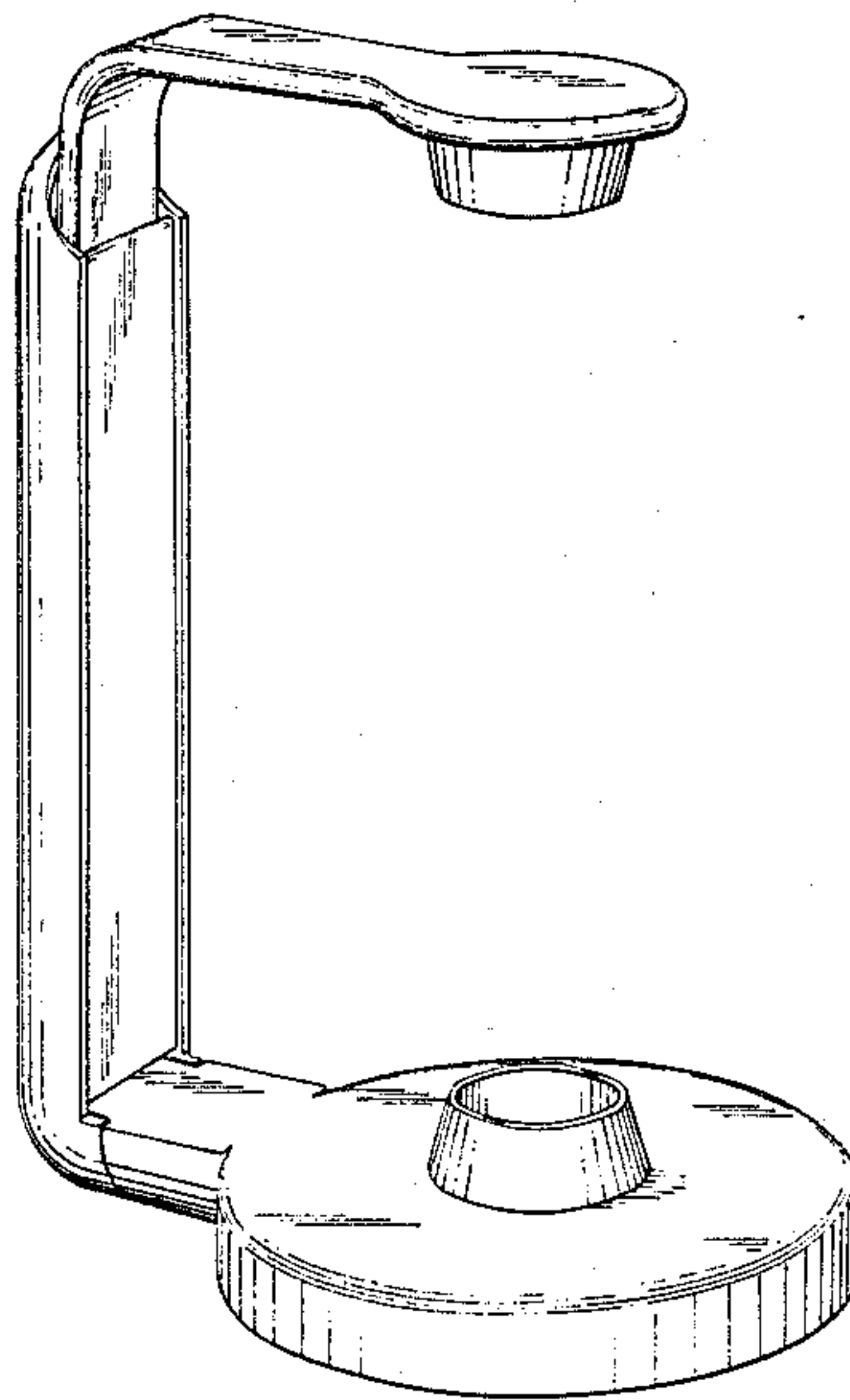
*Primary Examiner*—Wallace R. Burke  
*Assistant Examiner*—Brian N. Vinson  
*Attorney, Agent, or Firm*—Hedman, Gibson, Costigan & Hoare

[57] **CLAIM**

The ornamental design for a paper roll holder, as shown and described.

**DESCRIPTION**

FIG. 1 is a top perspective view of a paper roll holder showing my new design;  
FIG. 2 is a left side elevational view thereof, the right side being a mirror image;  
FIG. 3 is a front elevational view thereof;  
FIG. 4 is a rear elevational view thereof;  
FIG. 5 is a top plan view thereof; and,  
FIG. 6 is a bottom plan view thereof.



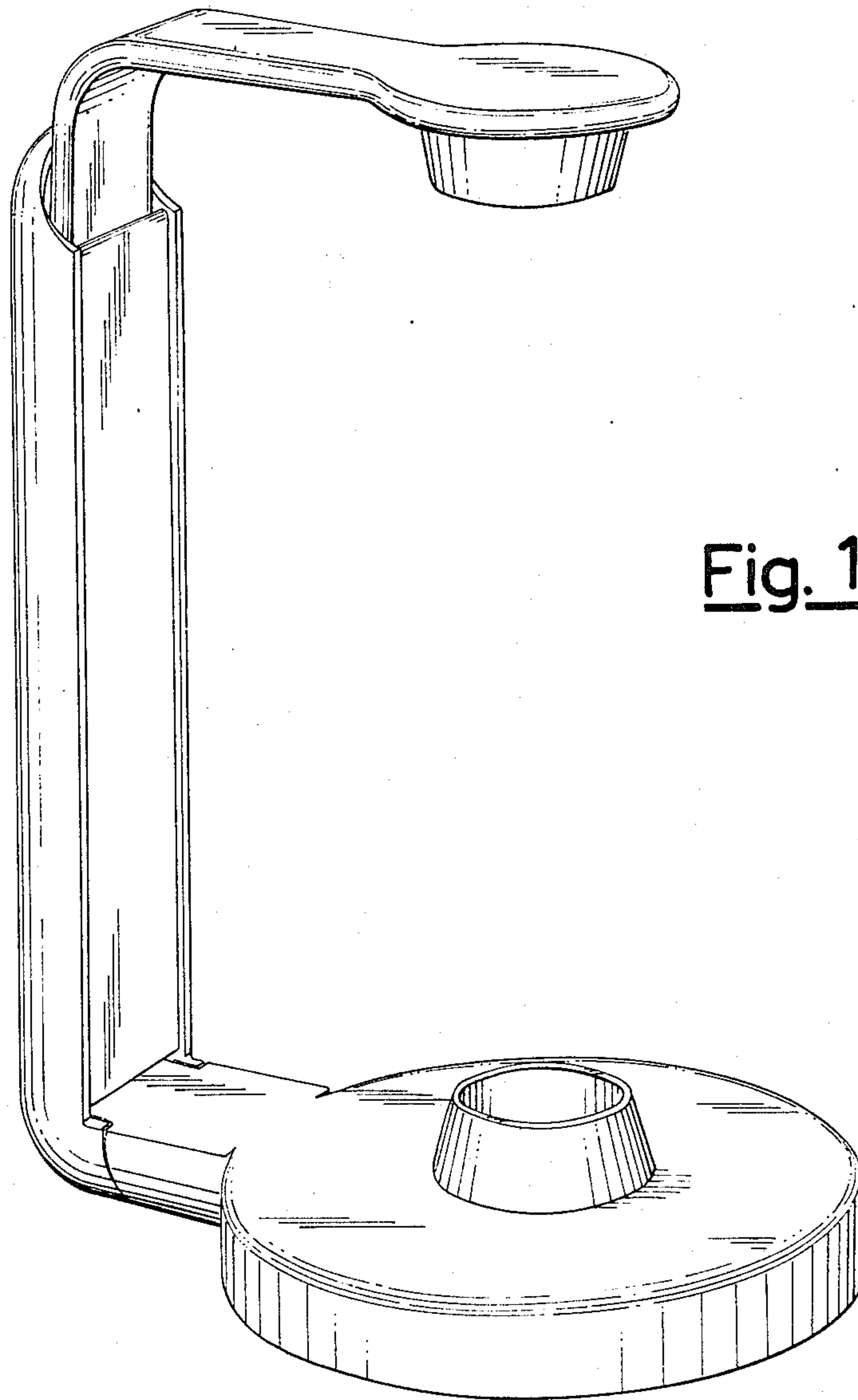


Fig. 1

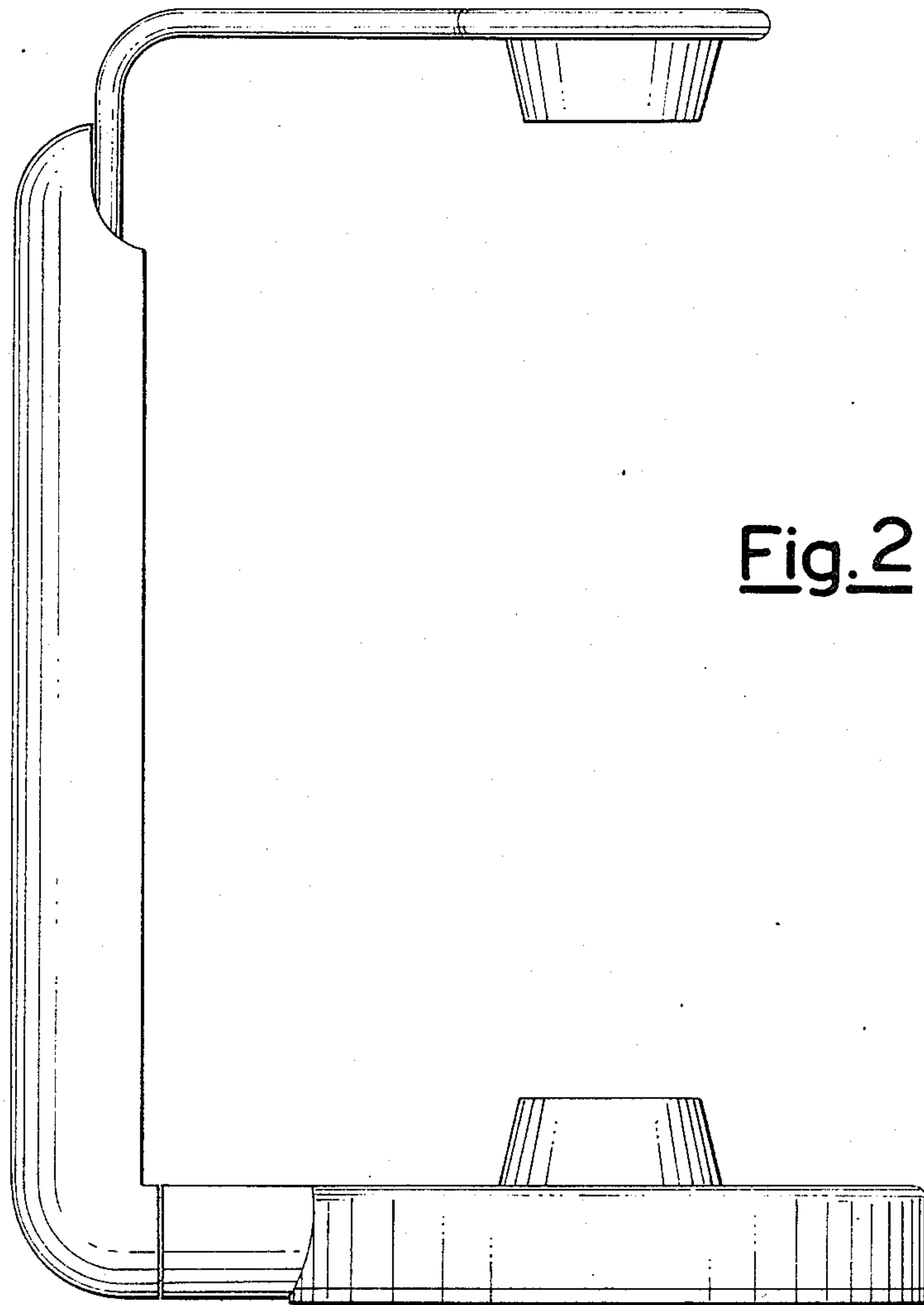


Fig. 2

Fig. 3

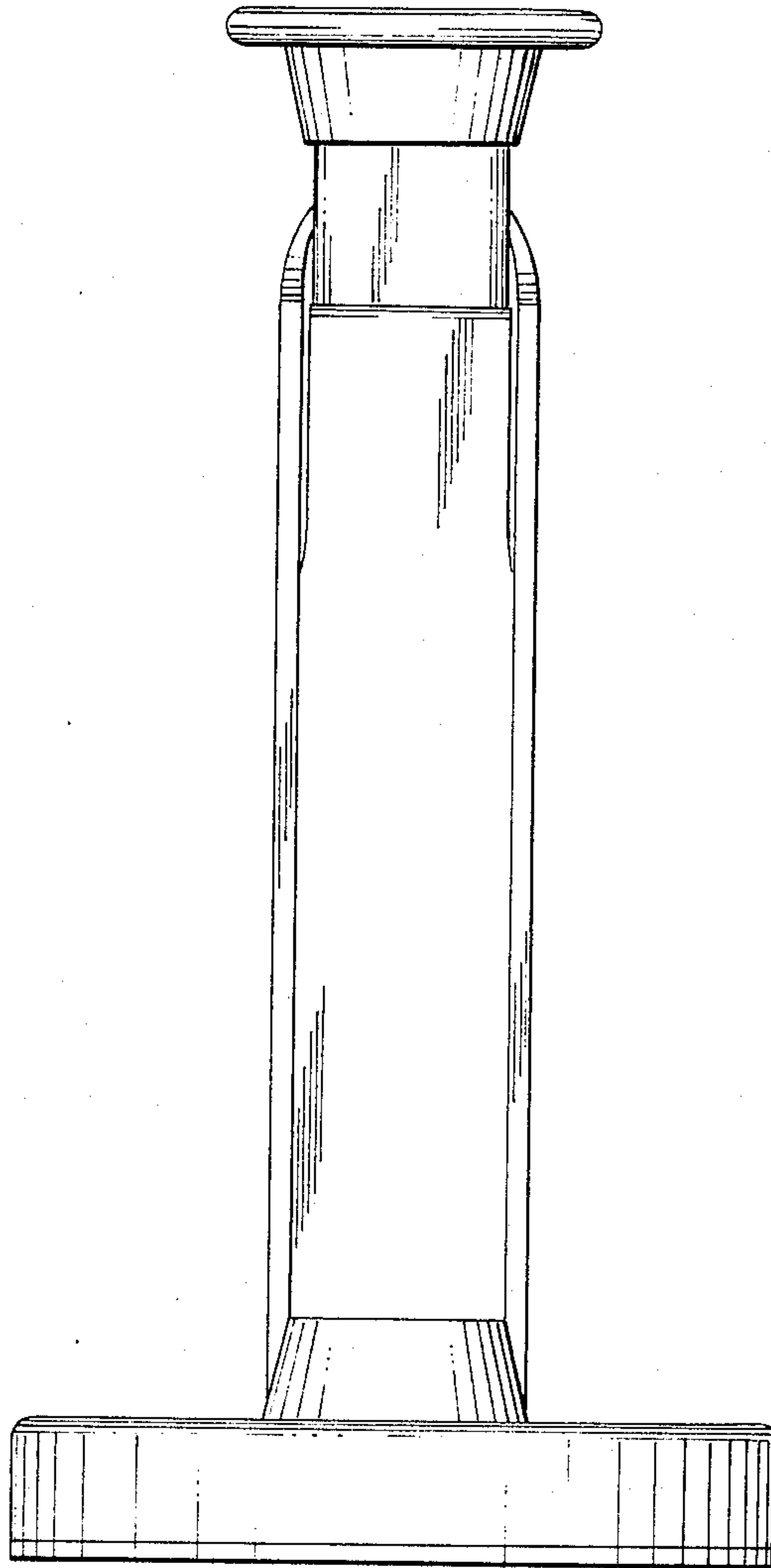


Fig. 4

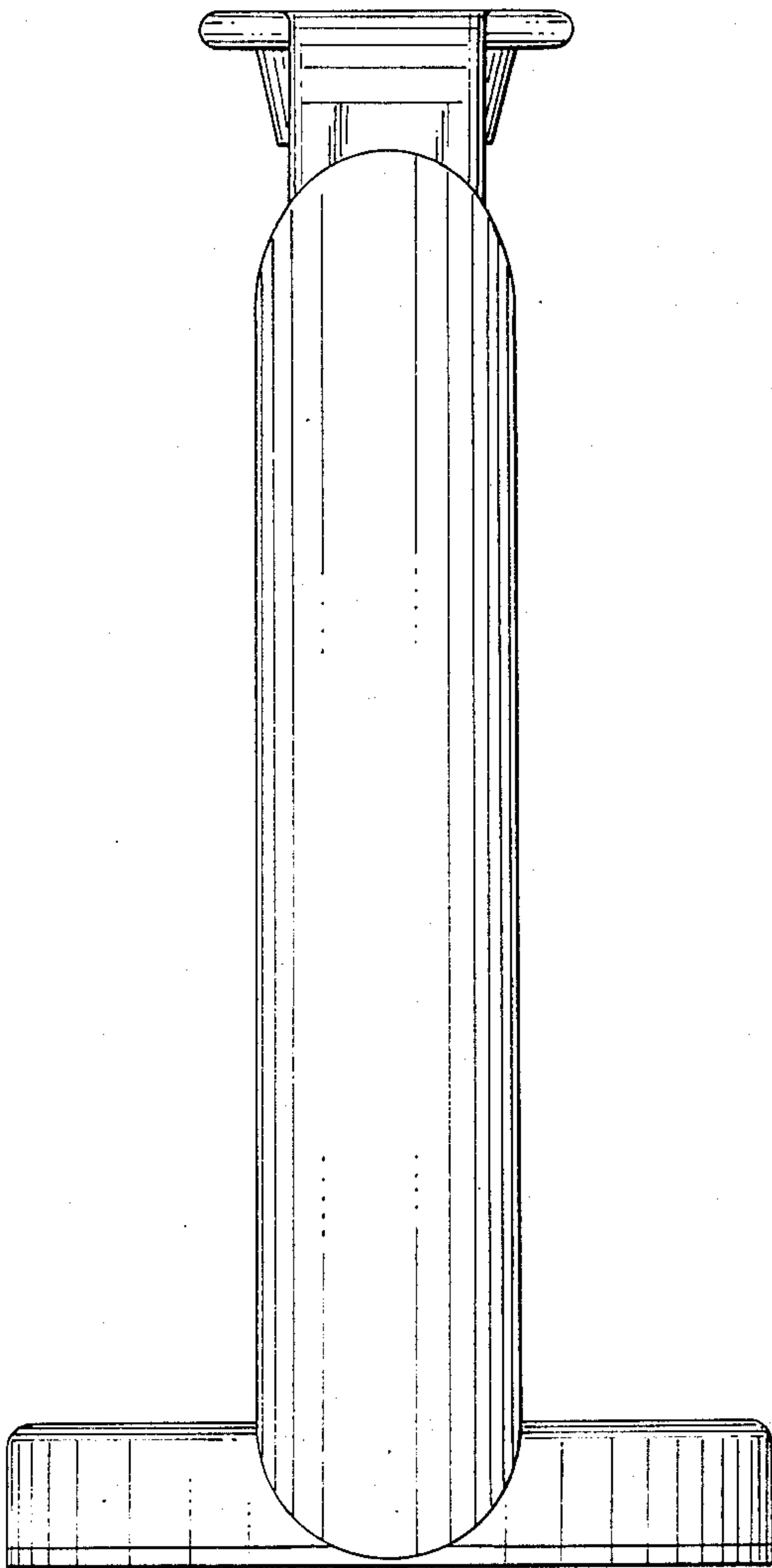


Fig. 5

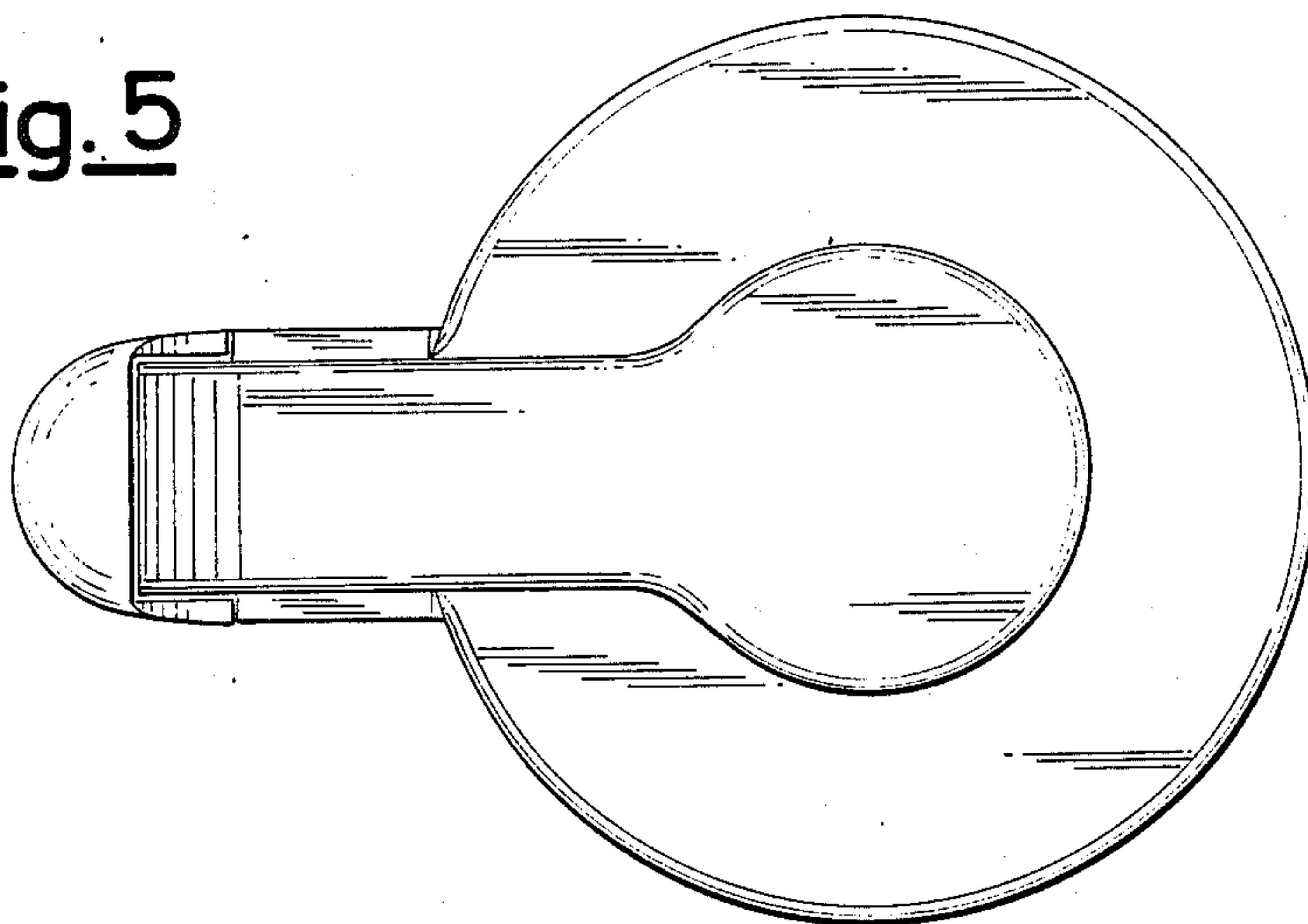


Fig. 6

