

[54] FACE PANEL FOR A COMPUTER HARD FILE OR SIMILAR ARTICLE

[75] Inventor: Vincent S. Garmon, West Palm Beach, Fla.

[73] Assignee: International Business Machines Corporation, Armonk, N.Y.

[**] Term: 14 Years

[21] Appl. No.: 12,853

[22] Filed: Feb. 20, 1987

[52] U.S. Cl. D6/494; D14/109

[58] Field of Search D6/422-428, D6/492, 510; D14/100-116, 40; 300/97, 98, 99

[56] References Cited

U.S. PATENT DOCUMENTS

- D. 171,219 12/1953 Mills D6/510
- D. 238,494 1/1976 Kalvitis et al. D14/109
- D. 249,343 9/1978 Ronzani D14/109 X

- D. 254,526 3/1980 Dolphin, Sr. et al. D6/510
- D. 277,964 3/1985 Xanthopoulos D14/109
- D. 280,624 9/1985 Swan et al. D14/109
- D. 283,959 5/1986 Sun D6/492
- D. 287,907 2/1987 Yu D6/510 X

Primary Examiner—Bruce W. Dunkins

[57] CLAIM

The ornamental design for a face panel for a computer hard file or similar article, as shown and described.

DESCRIPTION

FIG. 1 is a front perspective view of a face panel for a computer hard file or similar article showing our new design;

FIG. 2 is a front elevational view thereof;

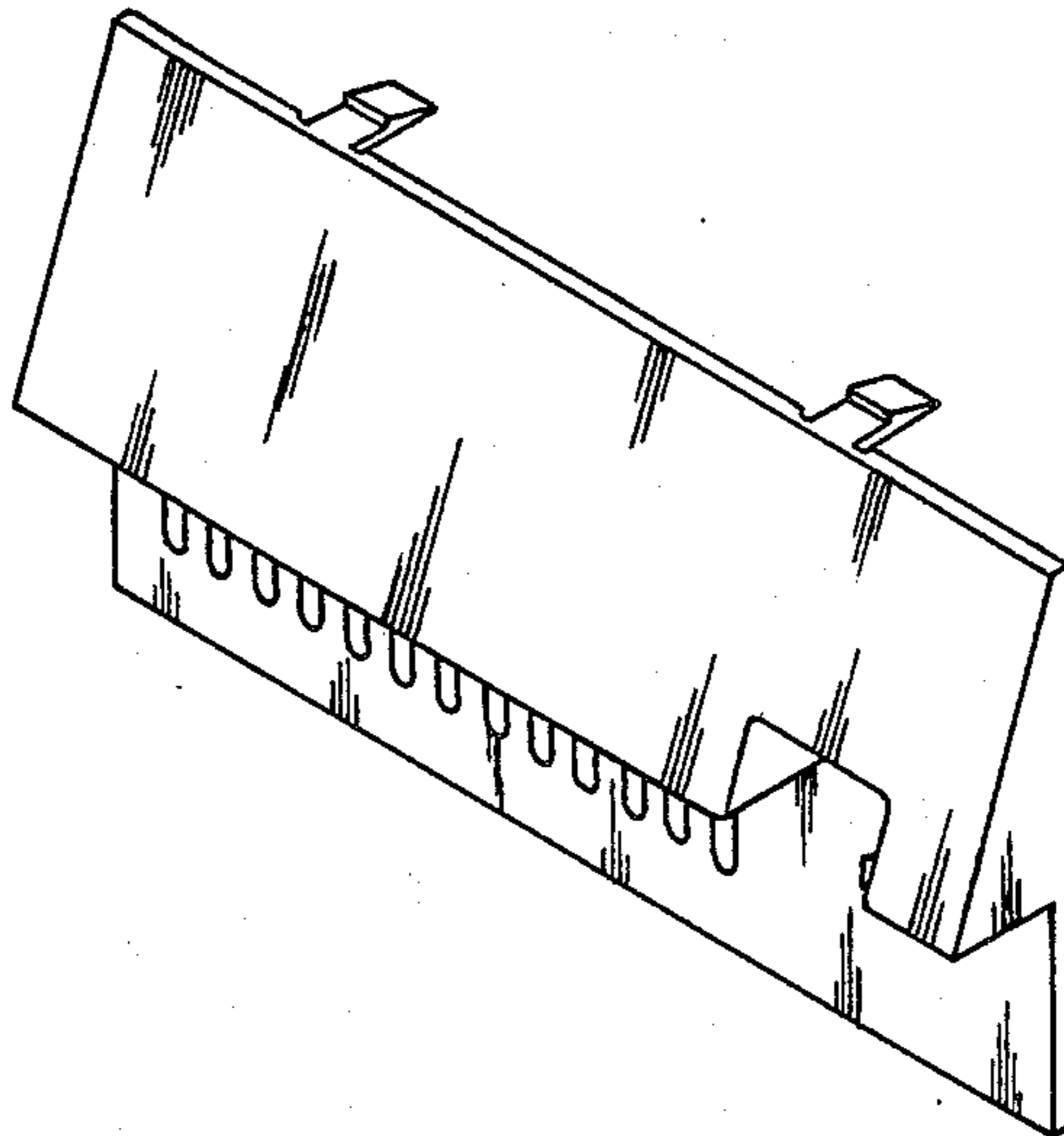
FIG. 3 is a rear elevational view thereof;

FIG. 4 is a right side elevational view thereof;

FIG. 5 is a left side elevational view thereof;

FIG. 6 is a top plan view thereof;

FIG. 7 is a bottom plan view thereof;



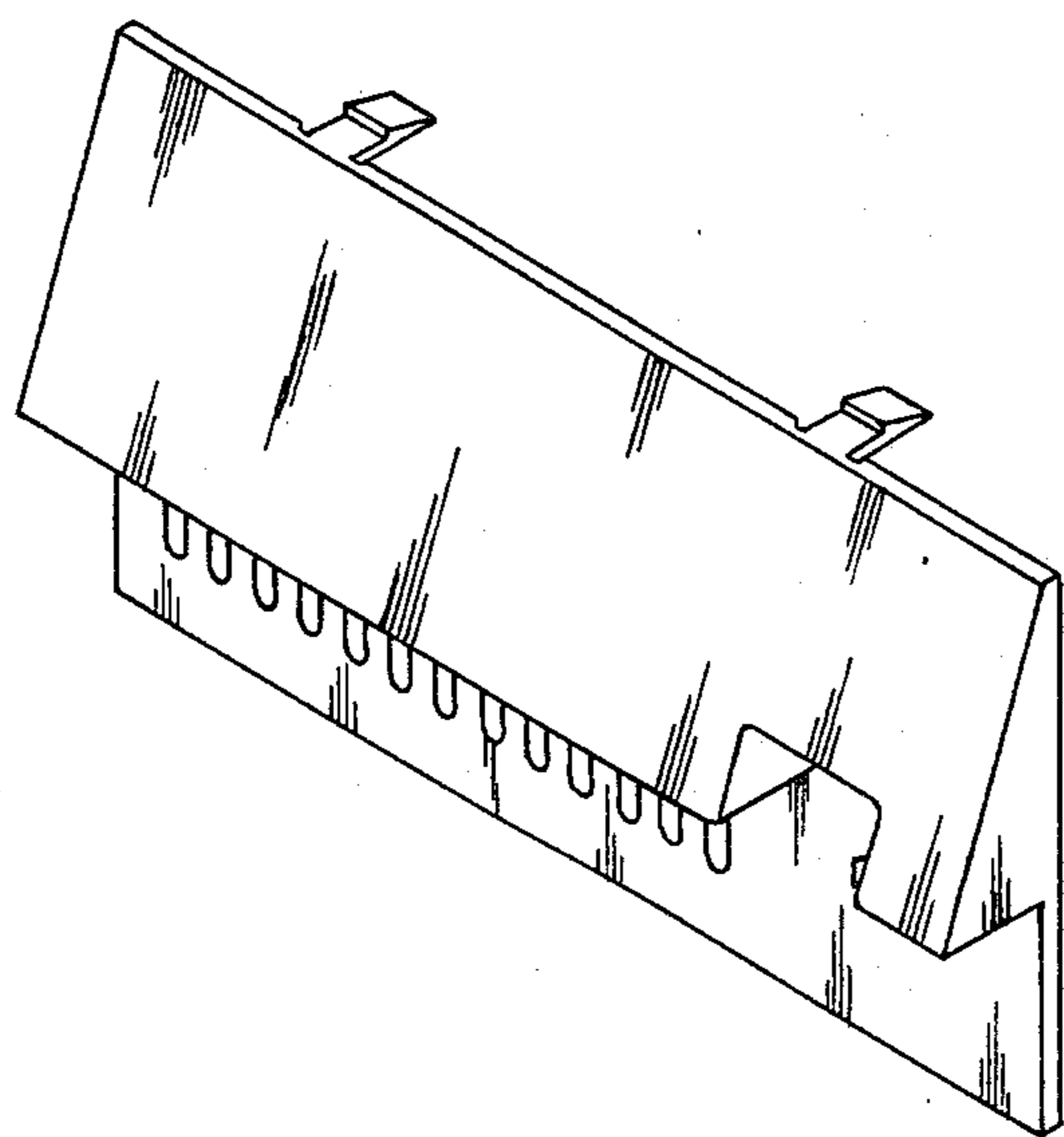


FIG. 1

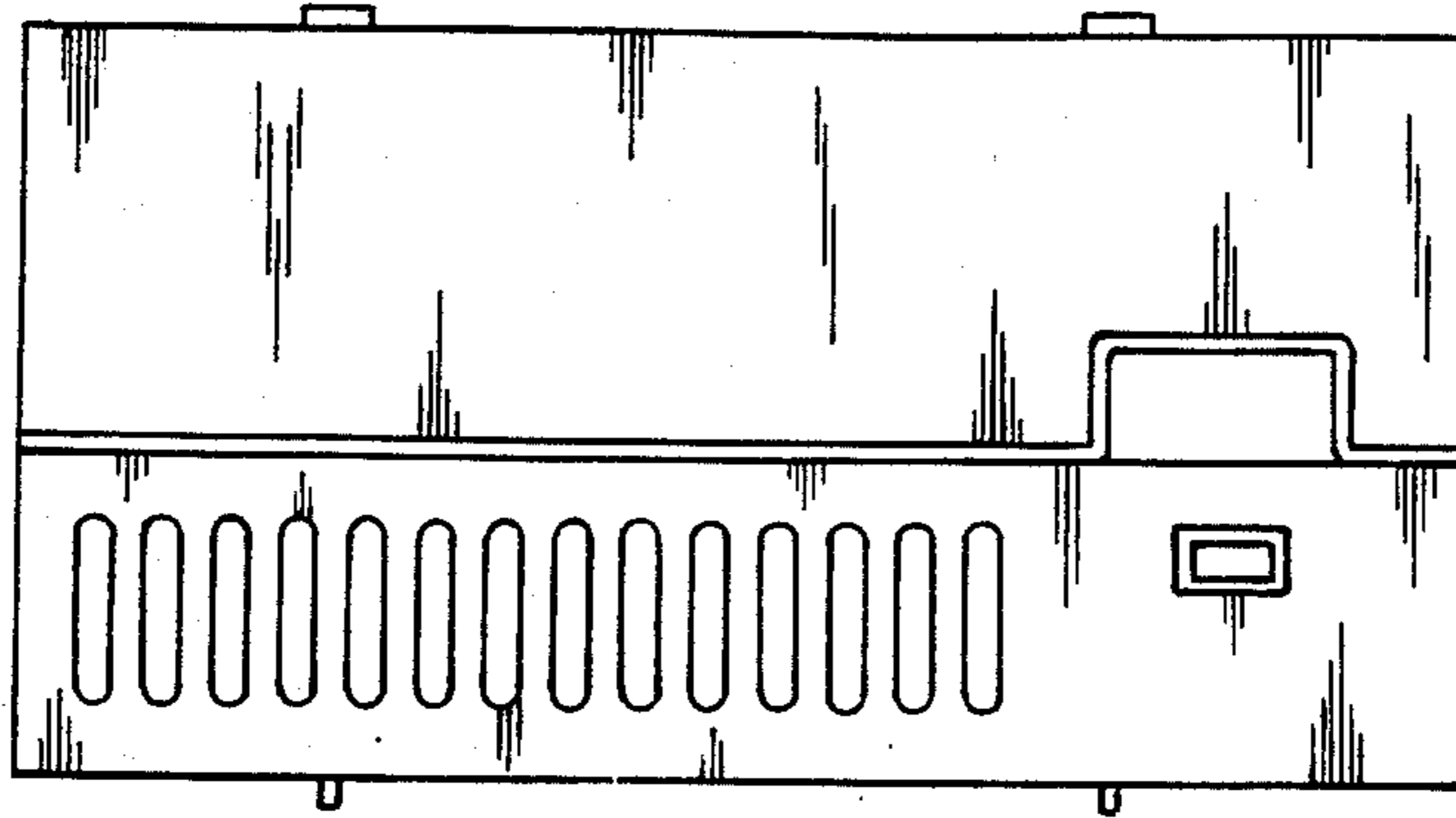


FIG. 2

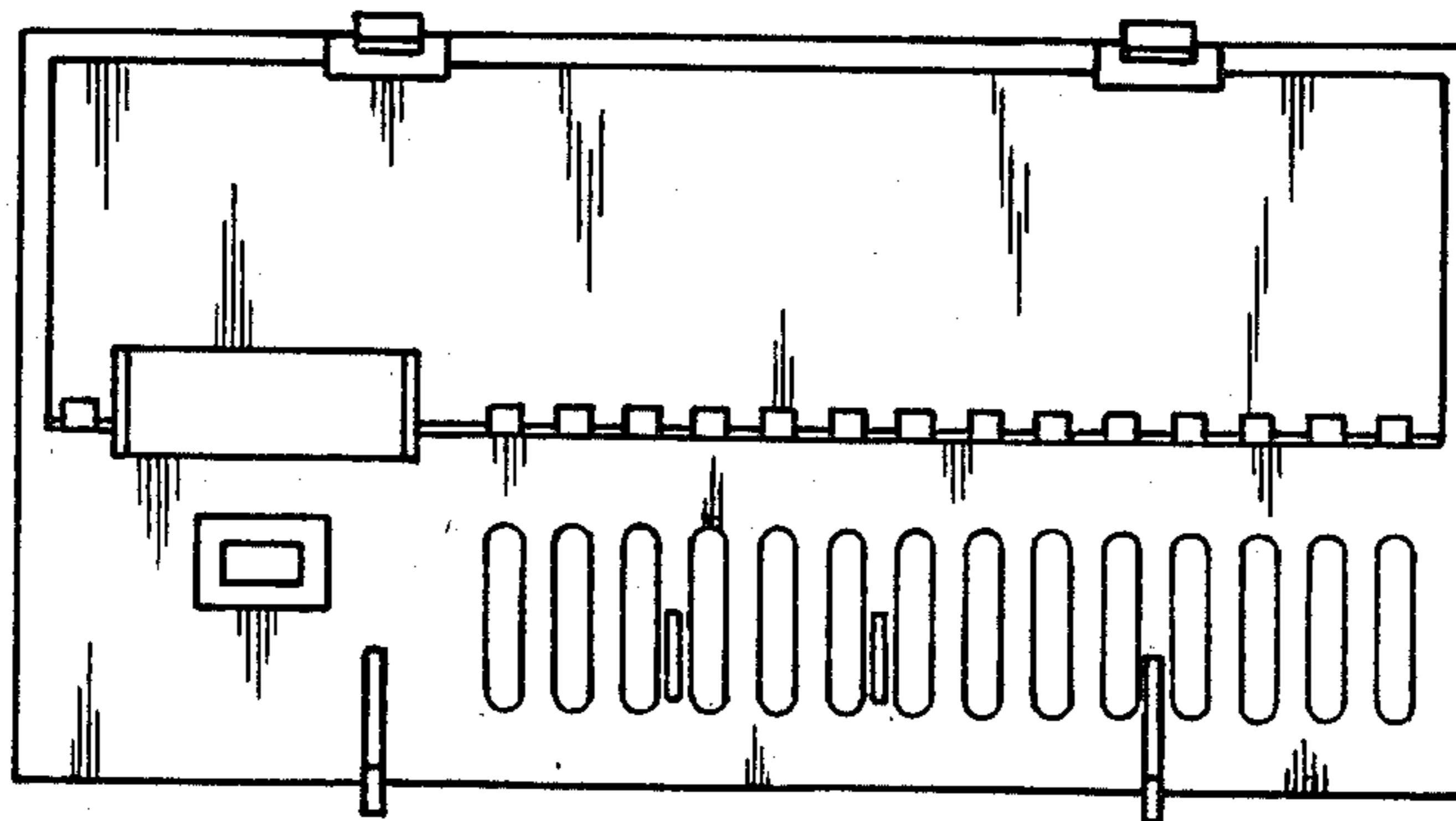


FIG. 3

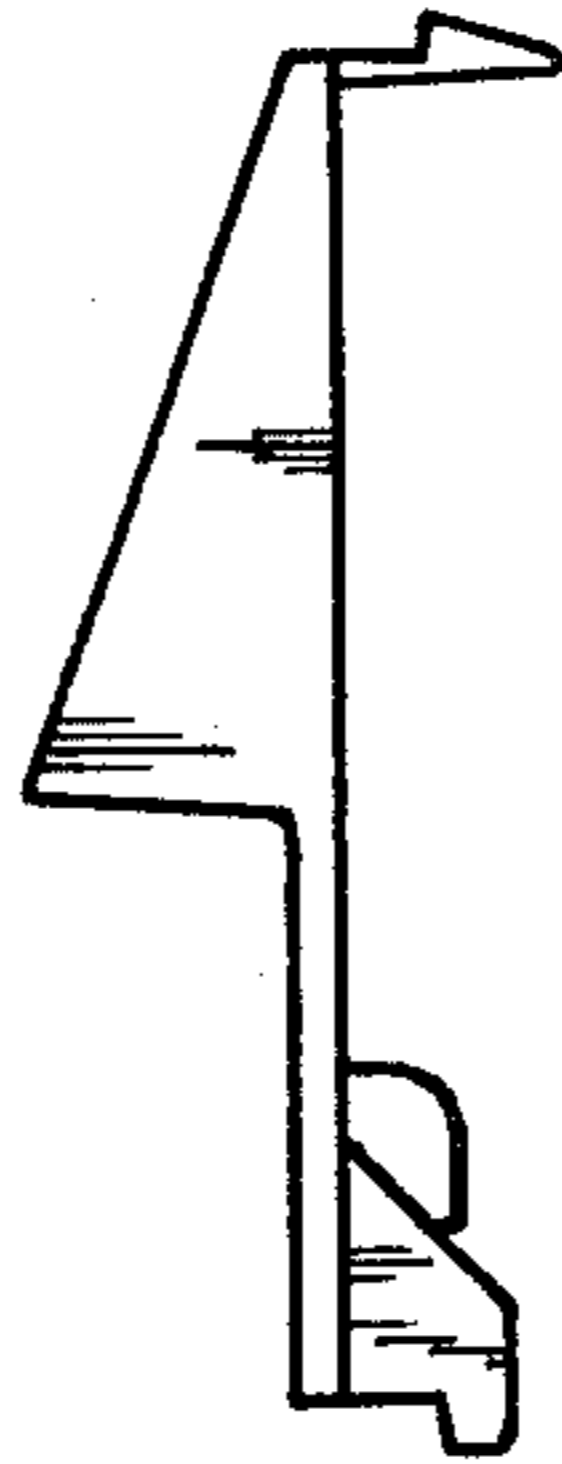


FIG. 4

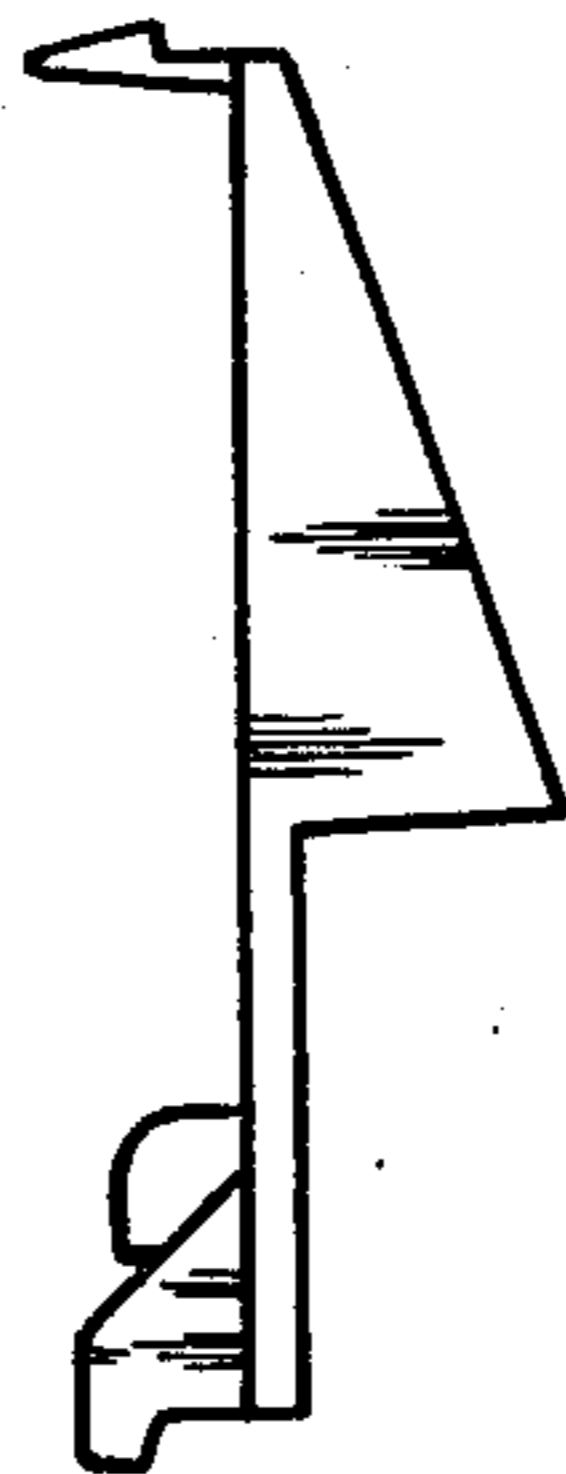


FIG. 5

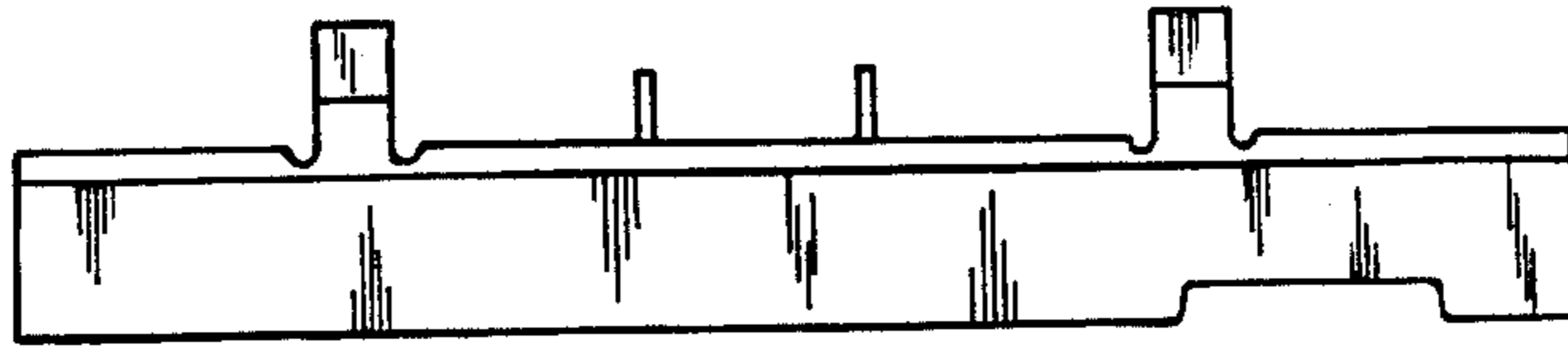


FIG. 6

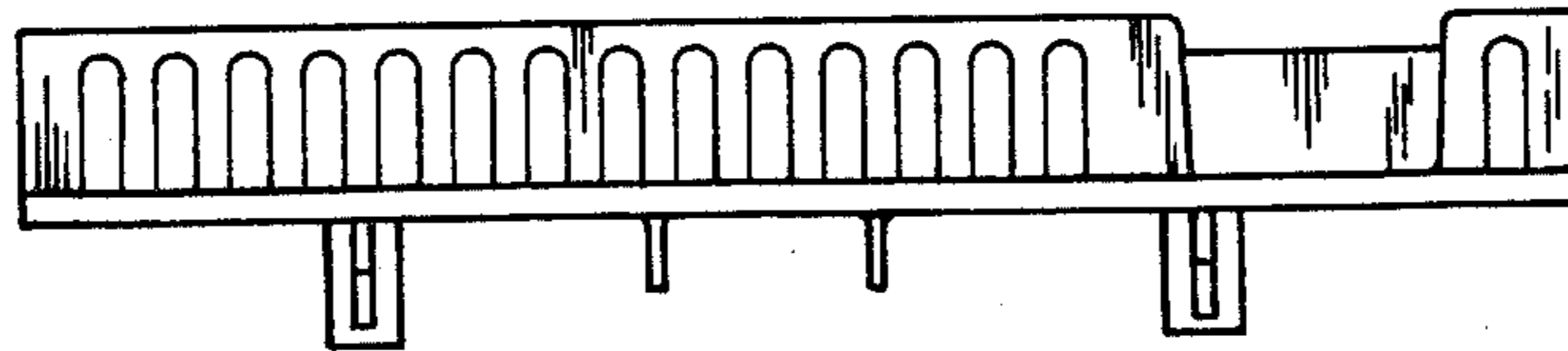


FIG. 7