

[54] **VEHICLE HARDTOP LIFTING DEVICE**

[76] **Inventor: Richard E. Cole, 4304 Muirfield Dr.,
San Antonio, Tex. 78229**

[**] **Term: 14 Years**

[21] **Appl. No.: 916,995**

[22] **Filed: Oct. 8, 1986**

Related U.S. Application Data

[63] Continuation of Ser. No. 572,151, Jan. 19, 1984, abandoned.

[52] **U.S. Cl. D34/35; D34/33**

[58] **Field of Search D34/33, 35; 295/81.5;
294/81.5, 81.51, 67.31, 67.1, 67.3**

[56] **References Cited**

U.S. PATENT DOCUMENTS

D. 268,448 3/1983 Callahan et al. D34/33

2,998,994	9/1961	Karr	294/67.1
3,161,309	12/1964	Baudhuin et al.	294/81.51
3,972,553	8/1976	Johnston	295/81.5
4,010,971	3/1977	Kuwamoto et al.	294/81.5
4,303,269	12/1981	Faughnan	294/67.31

Primary Examiner—Wallace R. Burke
Assistant Examiner—Kay H. Chin
Attorney, Agent, or Firm—John C. Stahl

[57] **CLAIM**

The ornamental design for a vehicle hardtop lifting device, as shown.

DESCRIPTION

FIG. 1 is a perspective view of a vehicle hardtop lifting device, showing my new design.

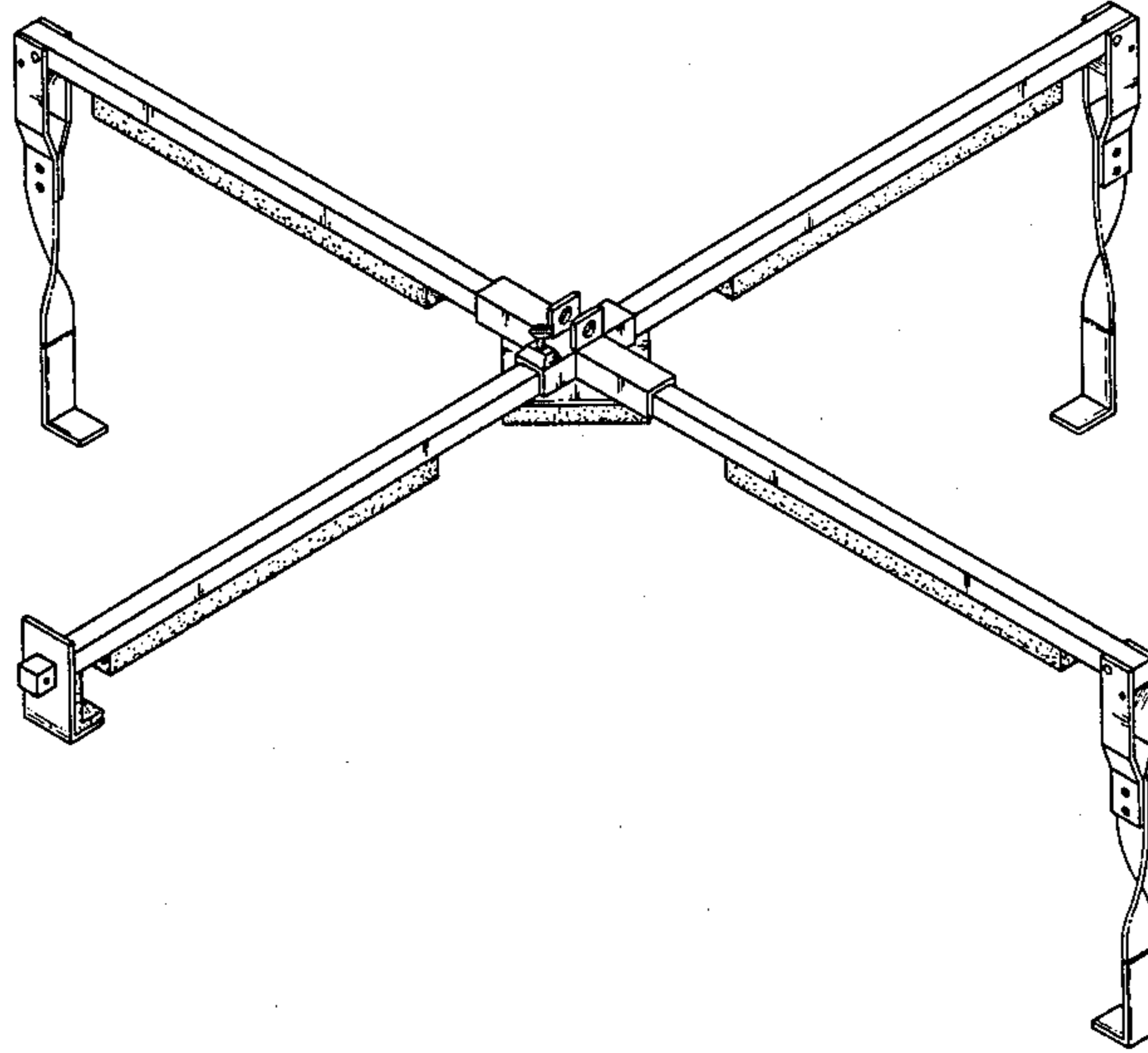
FIG. 2 is a front elevational view thereof.

FIG. 3 is a top plan view thereof.

FIG. 4 is a bottom plan view thereof.

FIG. 5 is a left side elevational view thereof; and

FIG. 6 is a rear elevational view thereof.



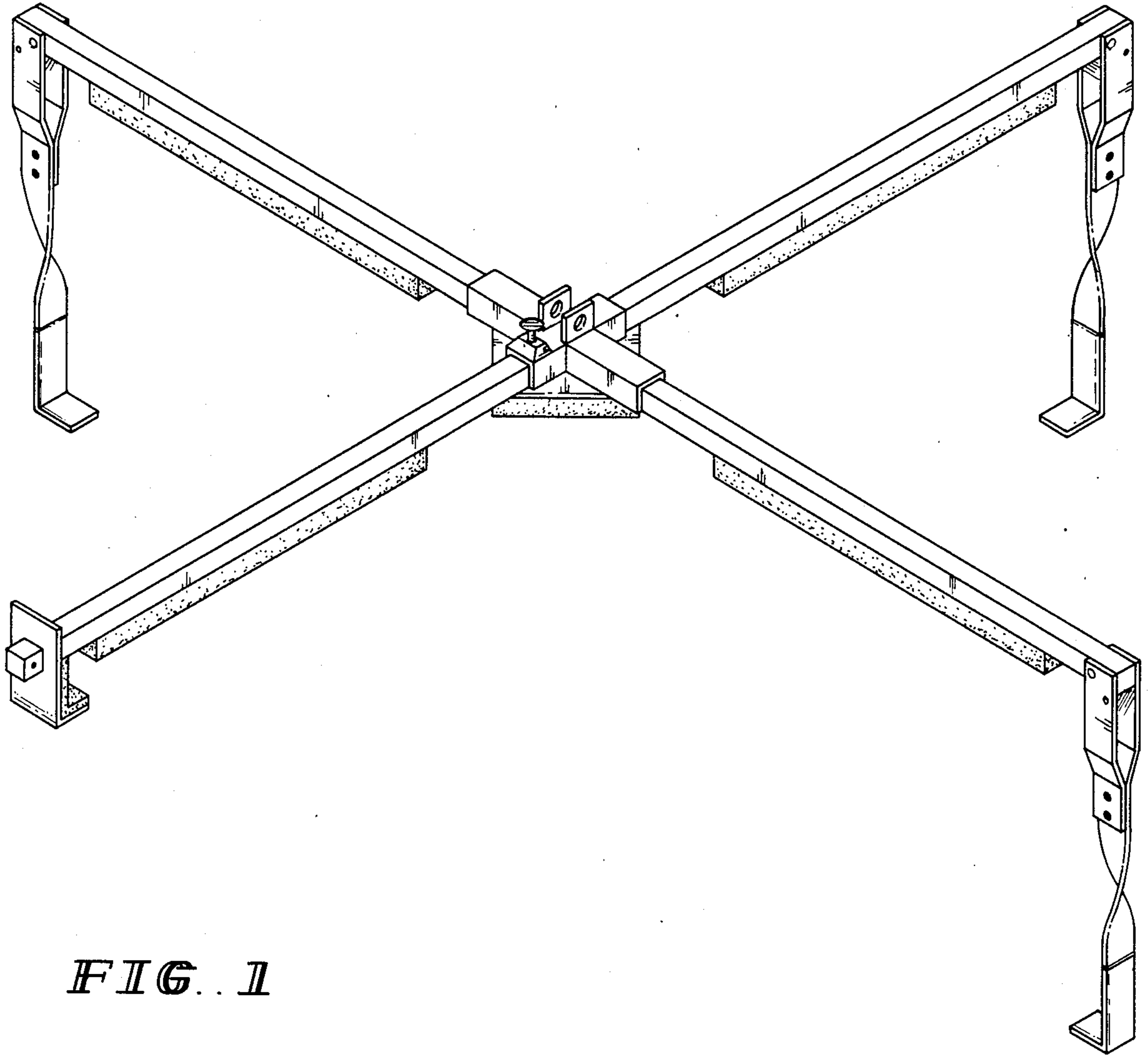


FIG. 1

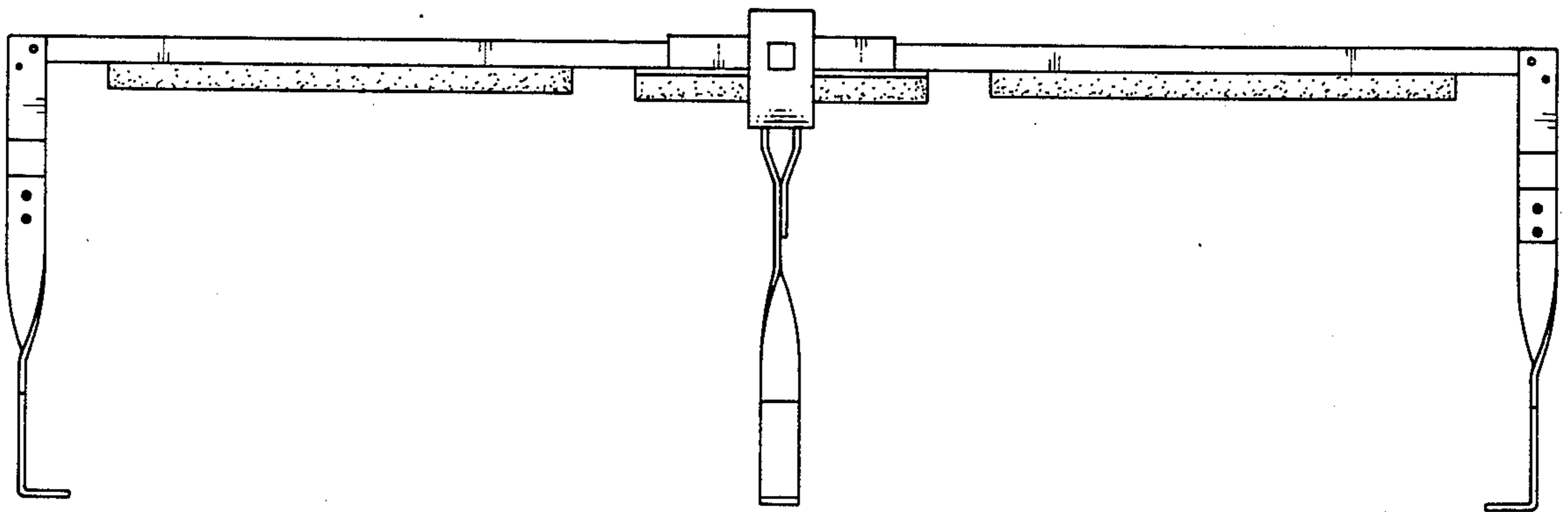


FIG. 2

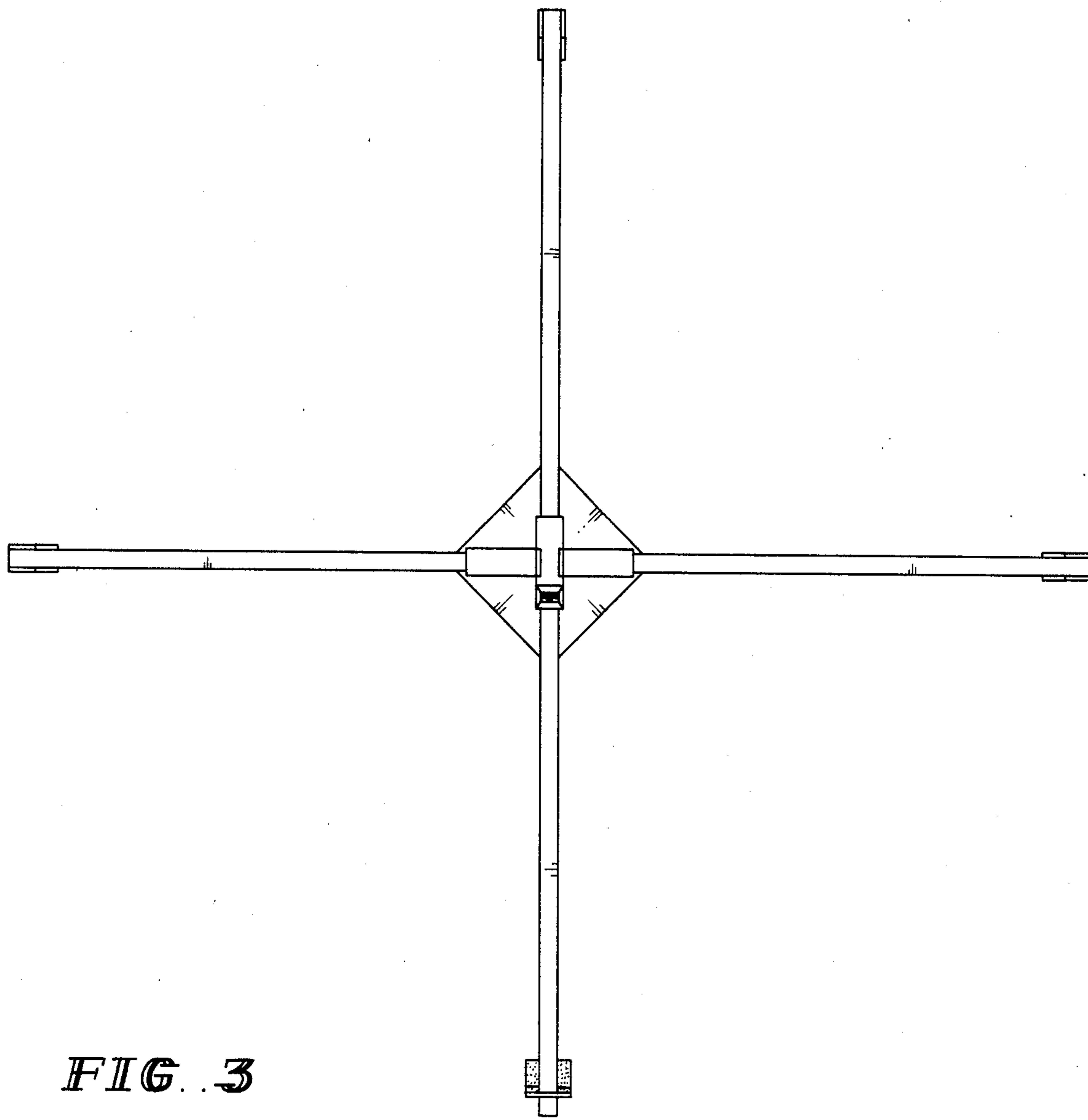


FIG. 3

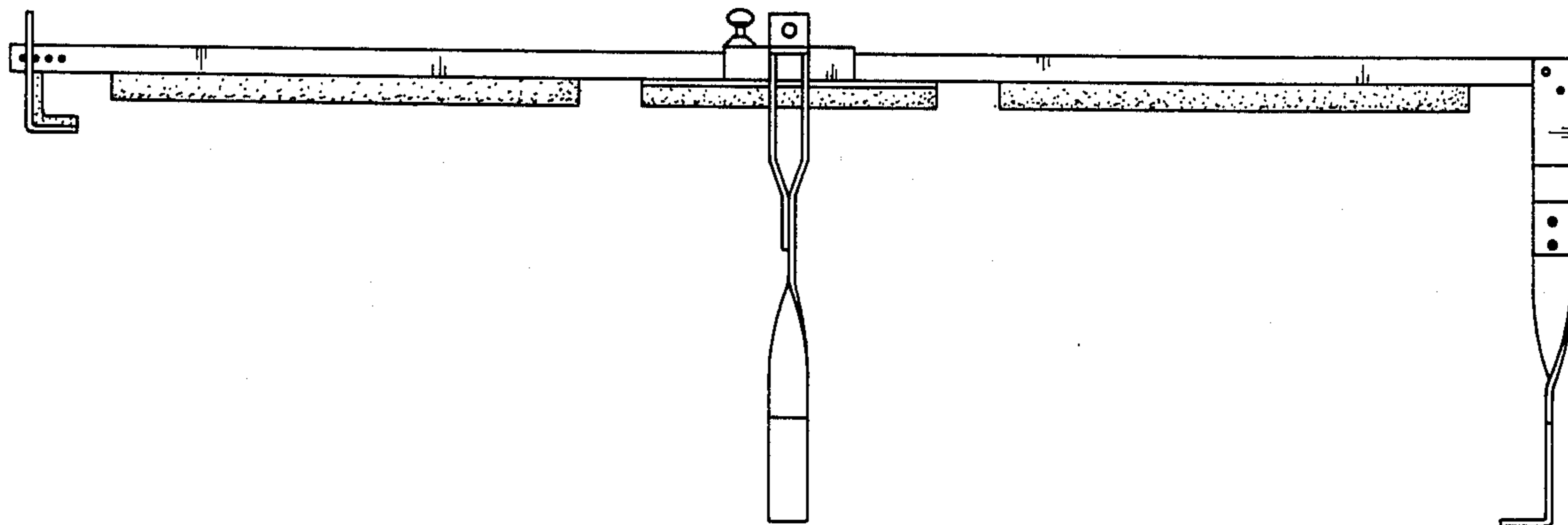


FIG. 5

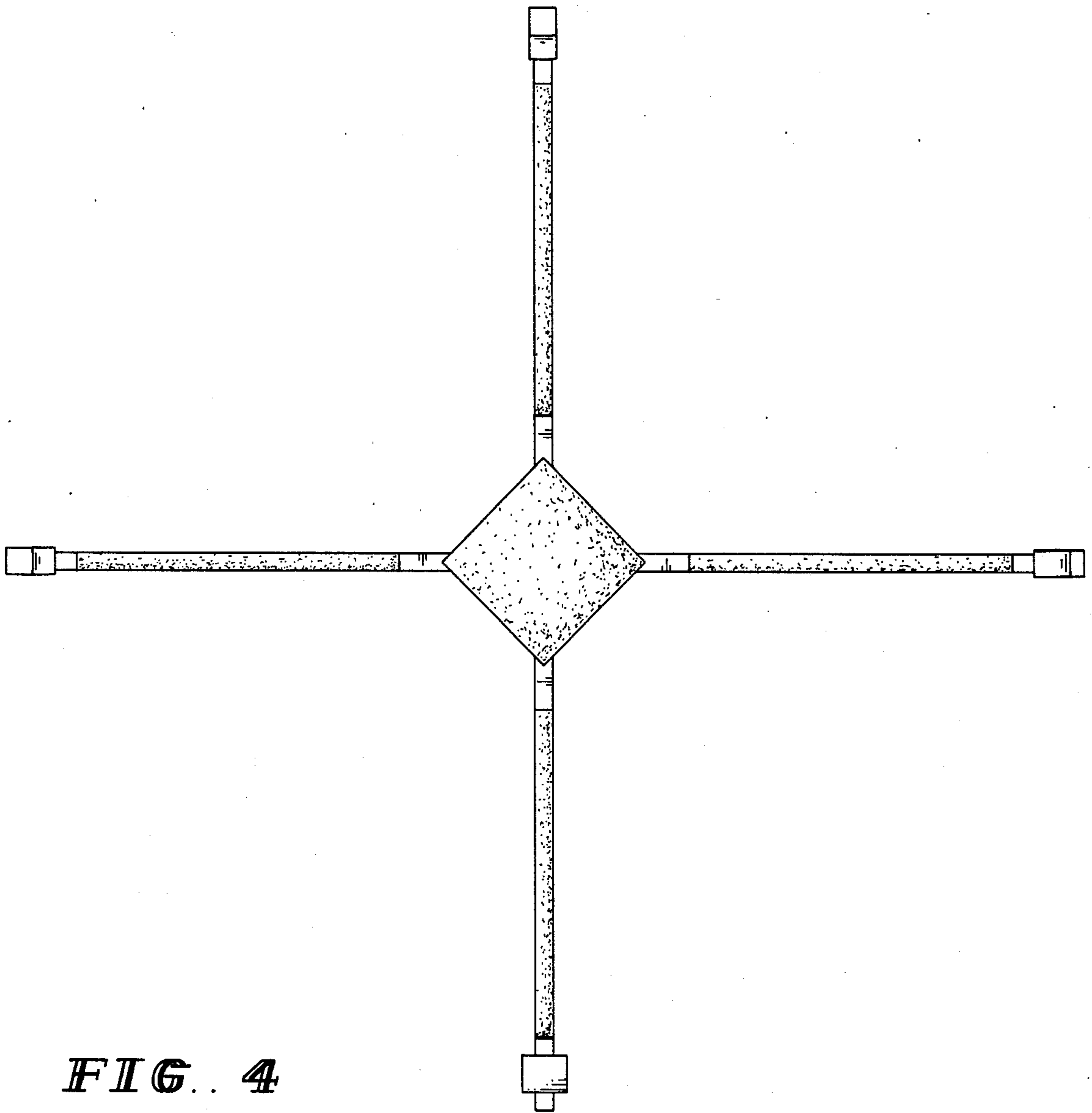


FIG. 4

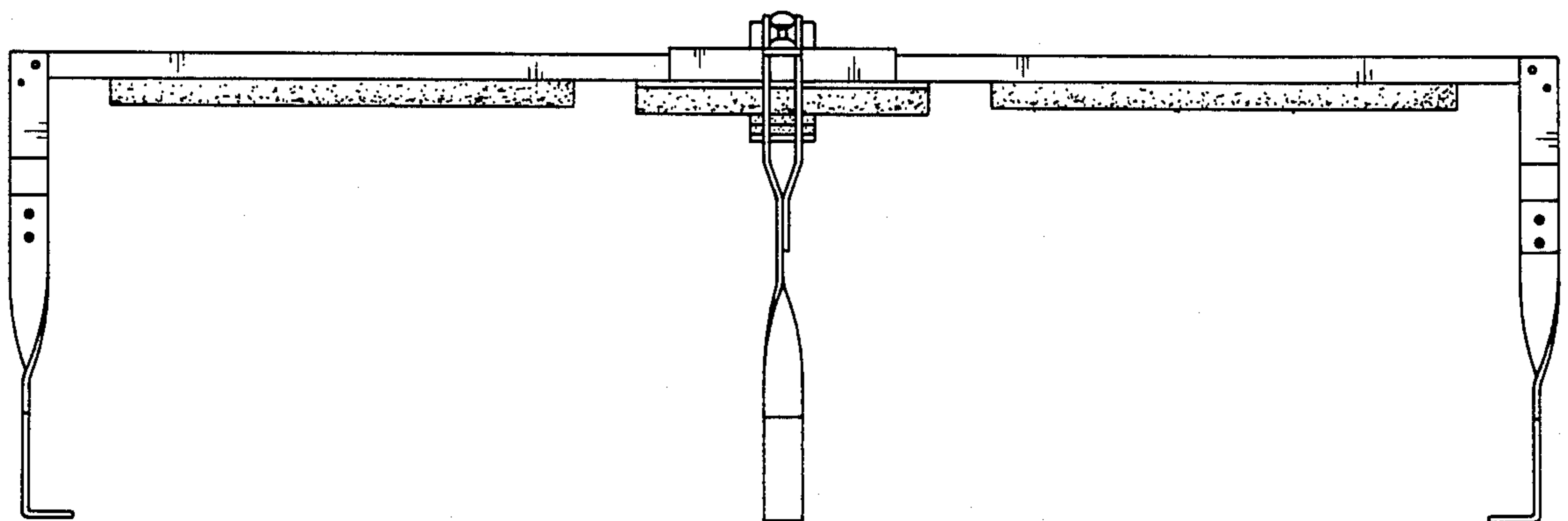


FIG. 6