

United States Patent [19]

Nolan

[11] Patent Number: **Des. 297,876**

[45] Date of Patent: **** Sep. 27, 1988**

[54] **SWIMMING POOL CHAIR LIFT**

[75] Inventor: **John E. Nolan, Louisville, Ky.**

[73] Assignee: **Guardian Products, Inc., Arleta, Calif.**

[**] Term: **14 Years**

[21] Appl. No.: **579,982**

[22] Filed: **Sep. 25, 1985**

[52] U.S. Cl. **D34/28; D34/33**

[58] Field of Search **D34/28, 33; D24/64; 5/81 R; 4/496, 564; D12/52**

[56] **References Cited**

U.S. PATENT DOCUMENTS

D. 261,377 10/1981 Grant D34/33
4,075,719 2/1978 Sullivan 4/564

4,183,106 1/1980 Grimes et al. 5/81 R
4,221,008 9/1980 Nolan 4/496
4,283,803 8/1981 Krumbeck 4/496

Primary Examiner—Wallace R. Burke
Assistant Examiner—Kay H. Chin
Attorney, Agent, or Firm—Maurice L. Miller, Jr.

[57] **CLAIM**

The ornamental design for a swimming pool chair lift, as shown.

DESCRIPTION

FIG. 1 is a front elevational view of a swimming pool chair lift showing my new design;
FIG. 2 is a rear elevational view thereof;
FIG. 3 is a left side elevational view thereof;
FIG. 4 is a right side elevational view thereof; and
FIG. 5 is a top plan view thereof.

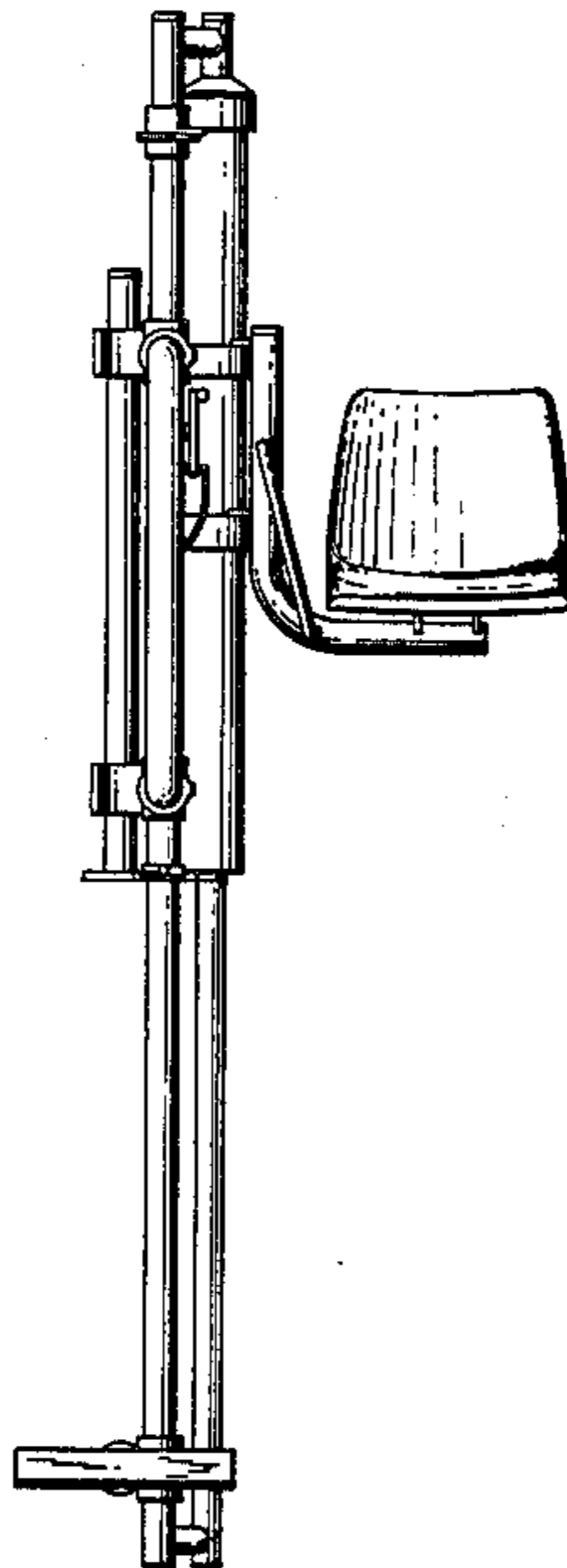


FIG. 1

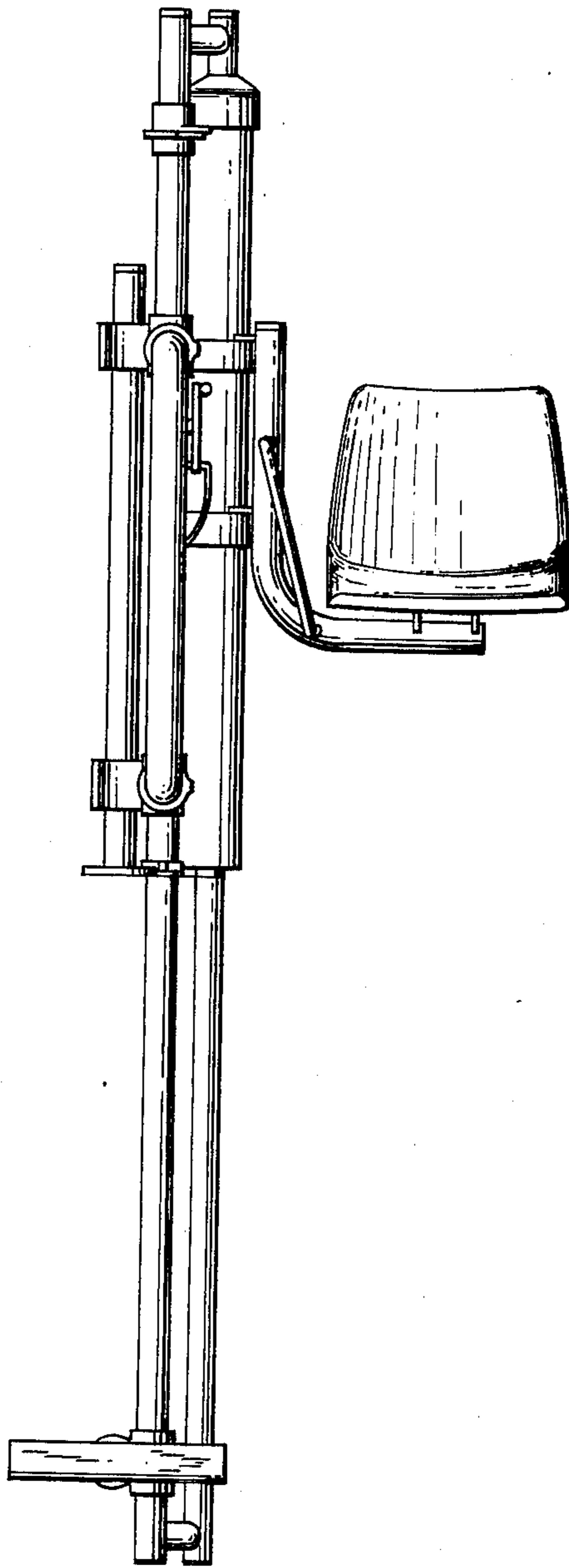


FIG. 2

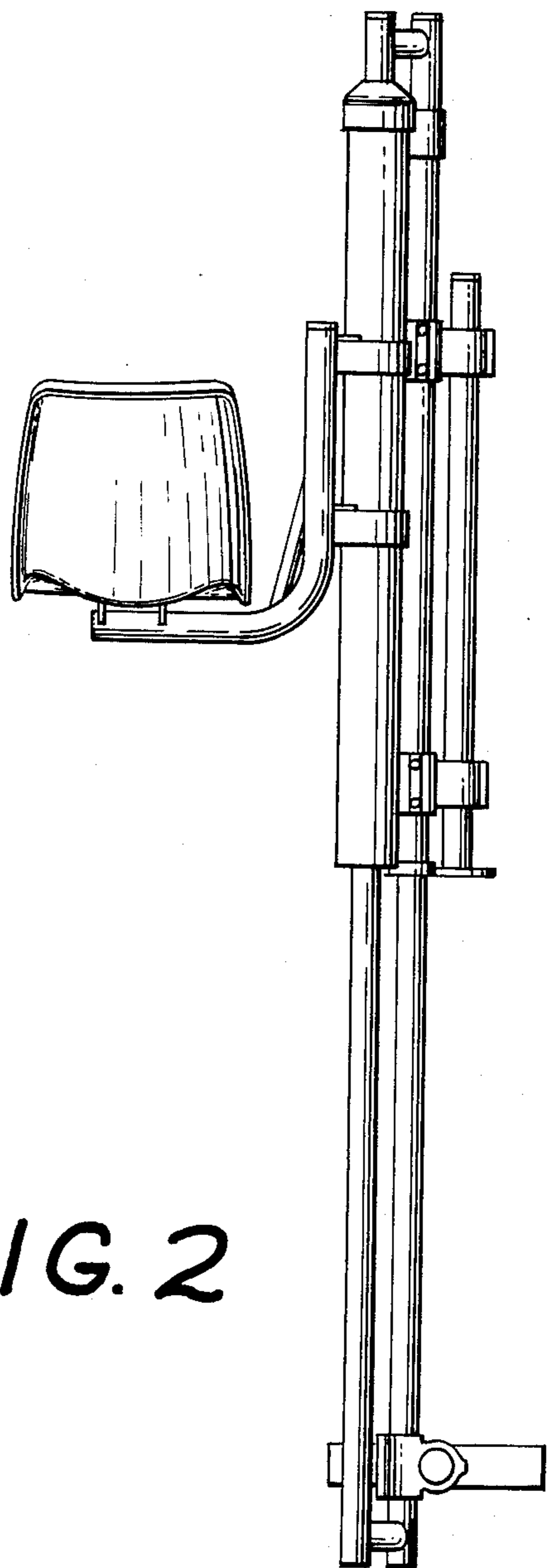


FIG. 3

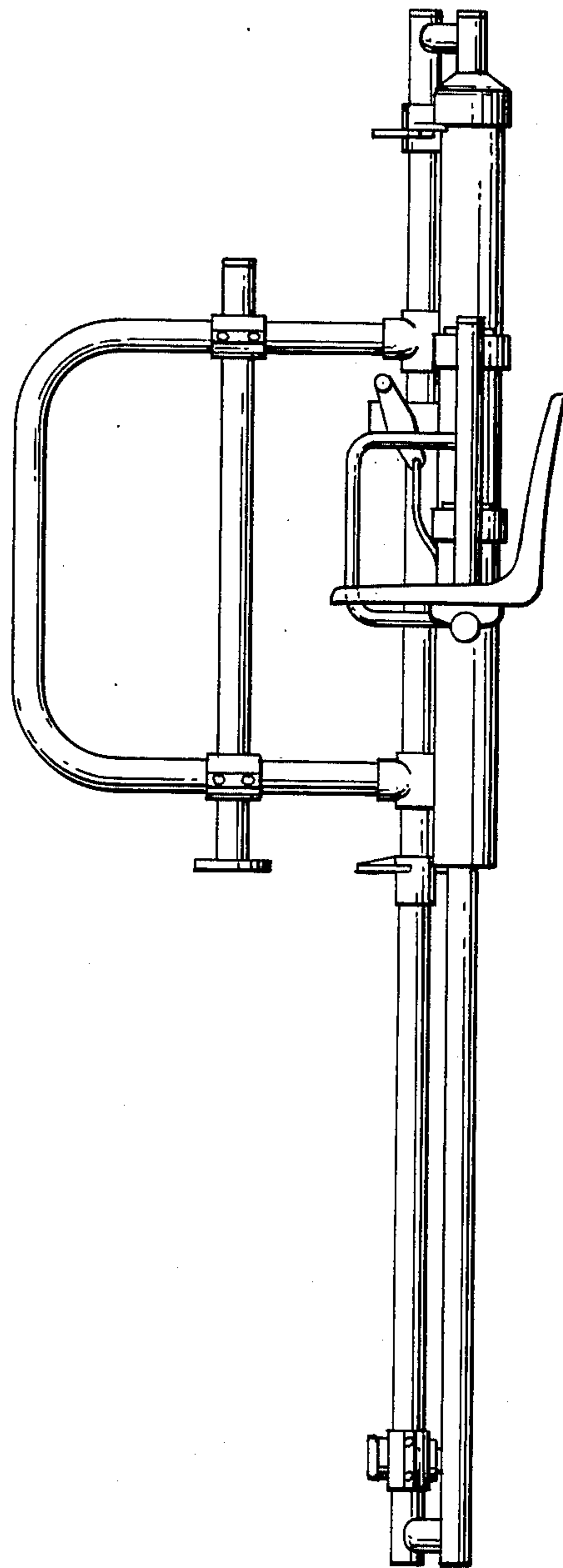
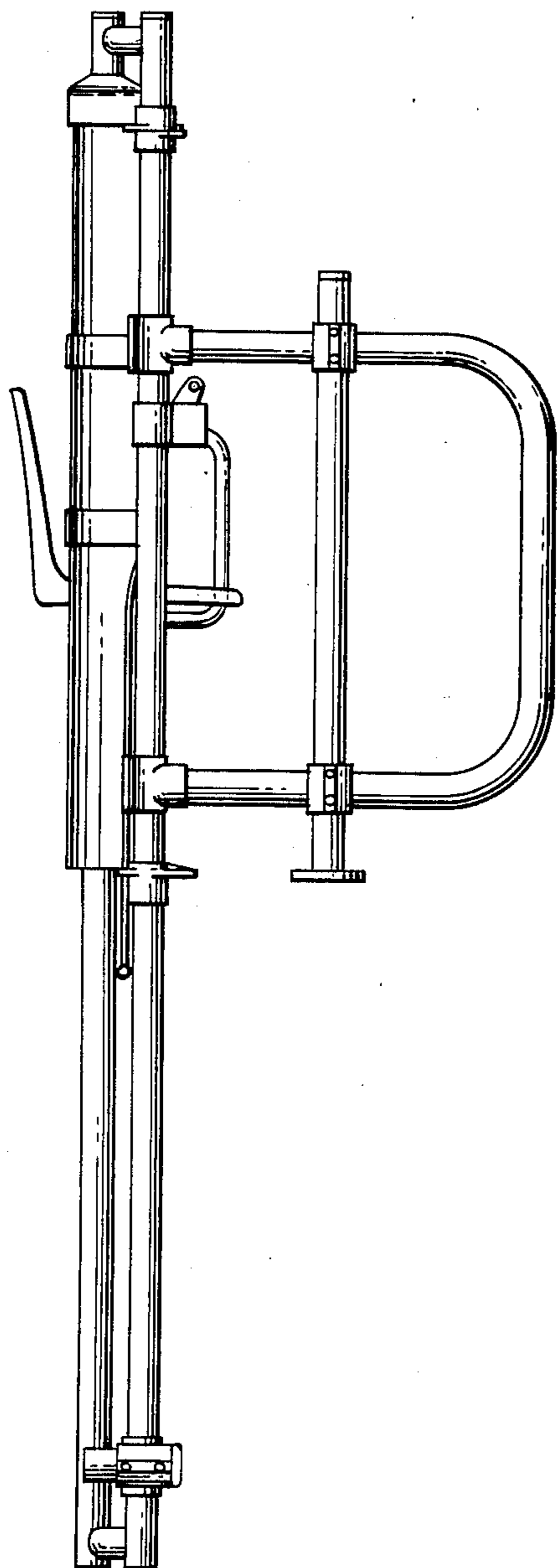


FIG. 4

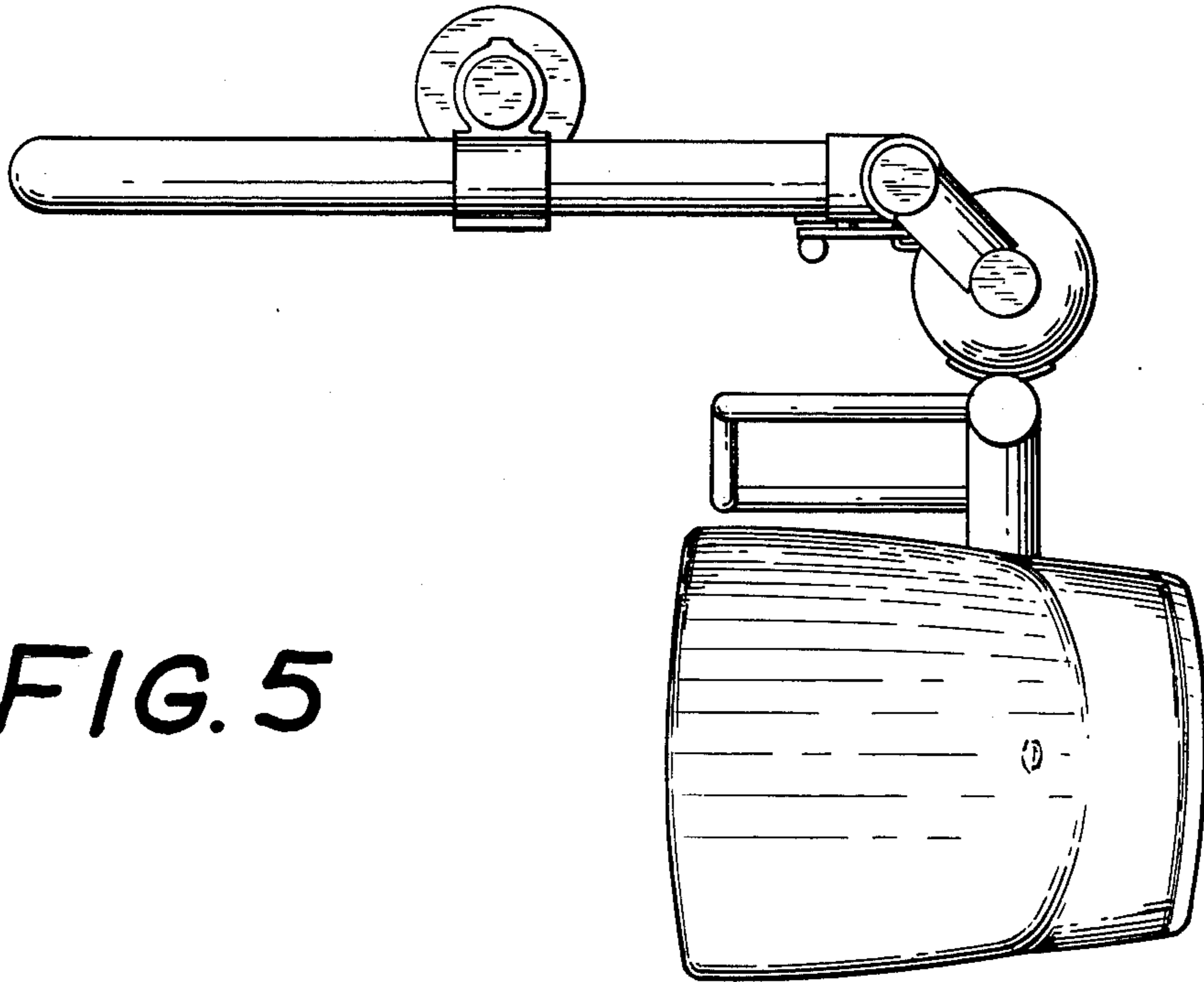


FIG. 5