

[54] REFUSE CONTAINER LID

[75] Inventor: Michelle A. Carville, Wooster, Ohio

[73] Assignee: Rubbermaid Incorporated, Wooster, Ohio

[\*\*] Term: 14 Years

[21] Appl. No.: 700,148

[22] Filed: Feb. 11, 1985

[52] U.S. Cl. .... D34/11

[58] Field of Search ..... D34/1, 11, 10; 220/1 T, 220/94 A; D9/435; D7/391; 206/508

[56] References Cited

U.S. PATENT DOCUMENTS

- D. 246,566 12/1977 Van Skiver ..... D34/11
- D. 267,703 1/1983 Chase et al. .... D9/435
- D. 277,898 3/1985 Paul et al. .... D34/11
- 4,390,110 6/1983 Pirro ..... 220/1 T
- 4,478,349 10/1984 Haverland, Jr. et al. .... 220/94 A

OTHER PUBLICATIONS

Sales sheet "Tuckers Specials", published Apr. 1, 1984 by Tucker Housewares, 345 Central St., Leominster, MS 01453.

Catalog Page 13, published 1984 by Rubbermaid Com-

mmercial Products, Inc. 3124 Valley Avenue, Winchester, VA 22601.

1984 Catalog p. 9, published 1984 by Tucker Housewares, 345 Central St., Leominster, MA 01453.

1984 Product Sheet HC-456, published 1984 by Rubbermaid Incorporated, 1147 Akron Road, Wooster, OH 44691.

Product Sheet "Roughneck", published 1983 by Rubbermaid Incorporated, 1147 Akron Road, Wooster, OH 44691.

Primary Examiner—James M. Gandy

Assistant Examiner—Kay H. Chin

Attorney, Agent, or Firm—Richard B. O'Planick

[57] CLAIM

The ornamental design for a refuse container lid, as shown and described.

DESCRIPTION

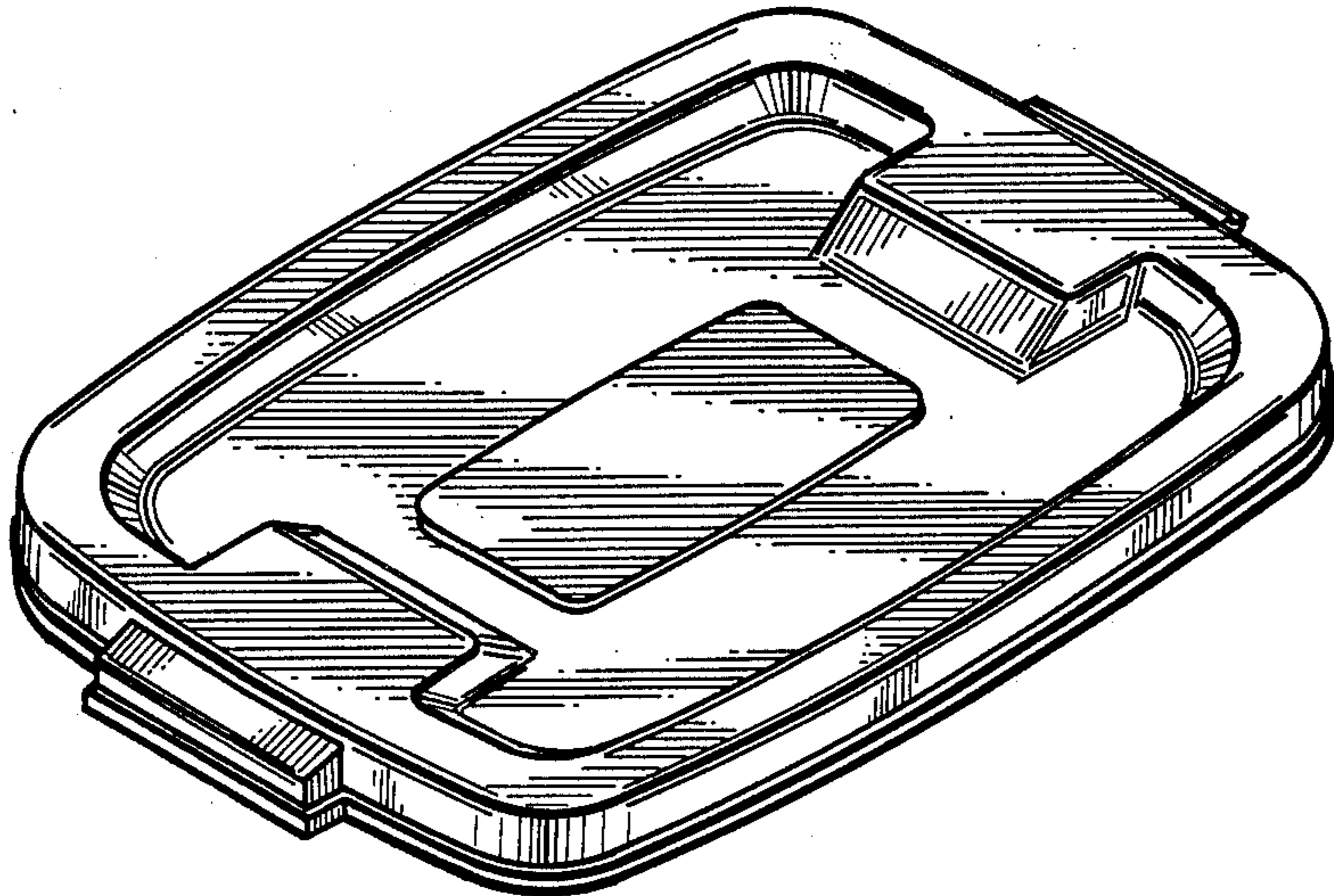
FIG. 1 is a perspective view of a refuse container lid showing my new design;

FIG. 2 is a top plan view thereof;

FIG. 3 is a side elevation view thereof, the opposite side being the mirror image of that shown;

FIG. 4 is an end elevation view thereof;

FIG. 5 is a bottom plan view thereof.



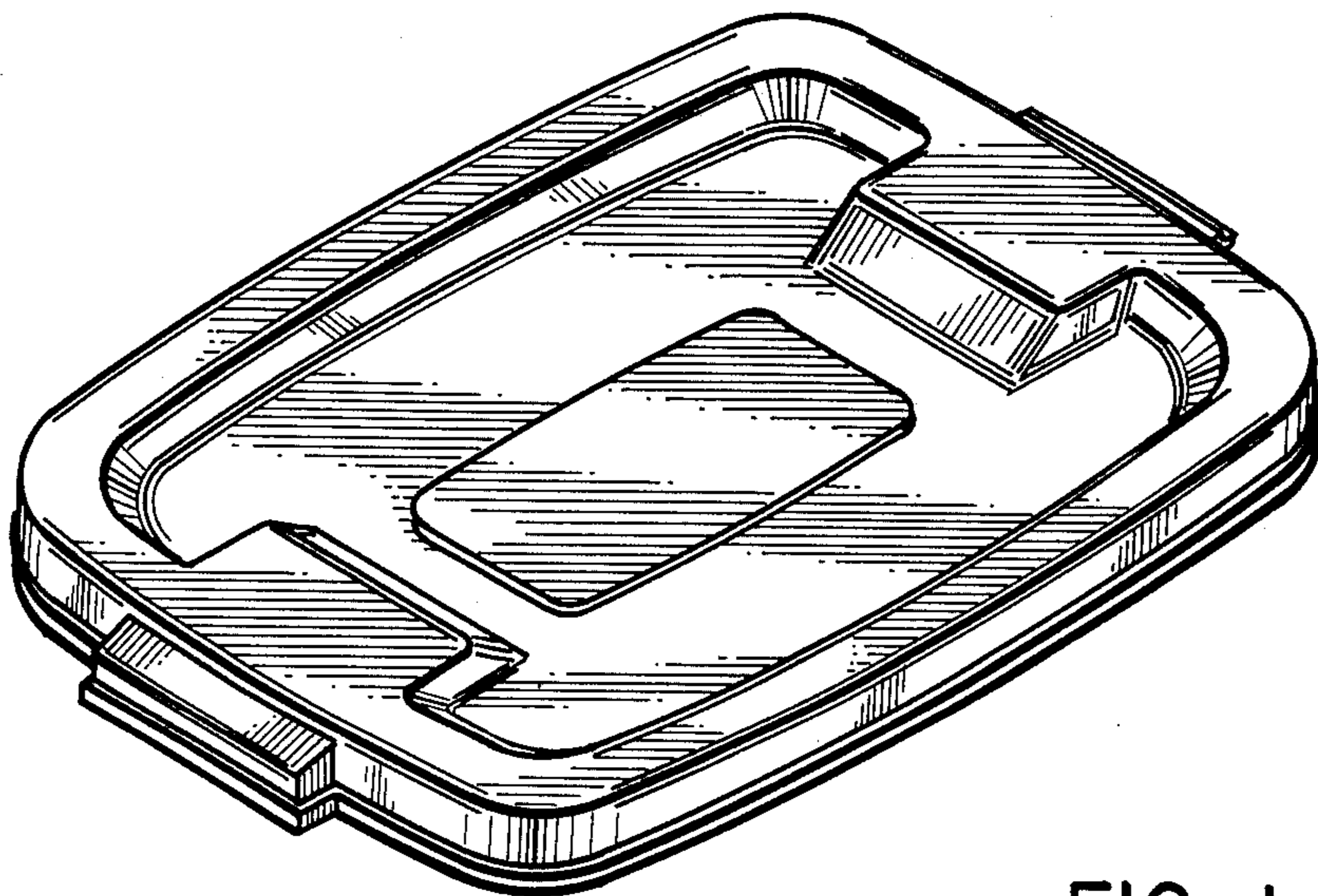


FIG. 1

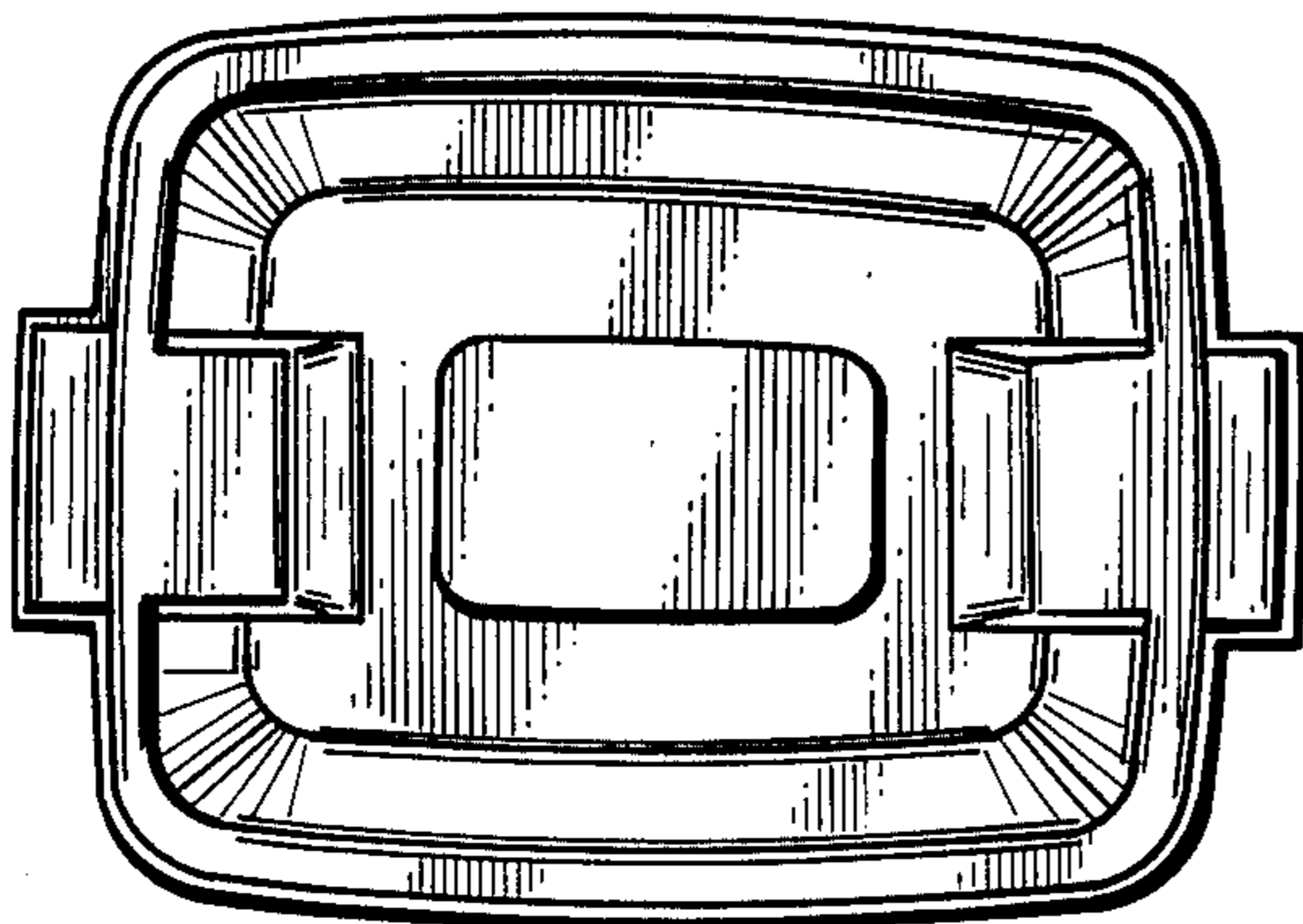


FIG. 2

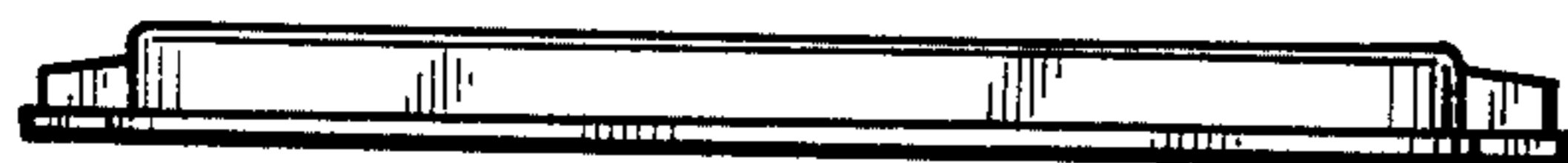


FIG. 3



FIG. 4

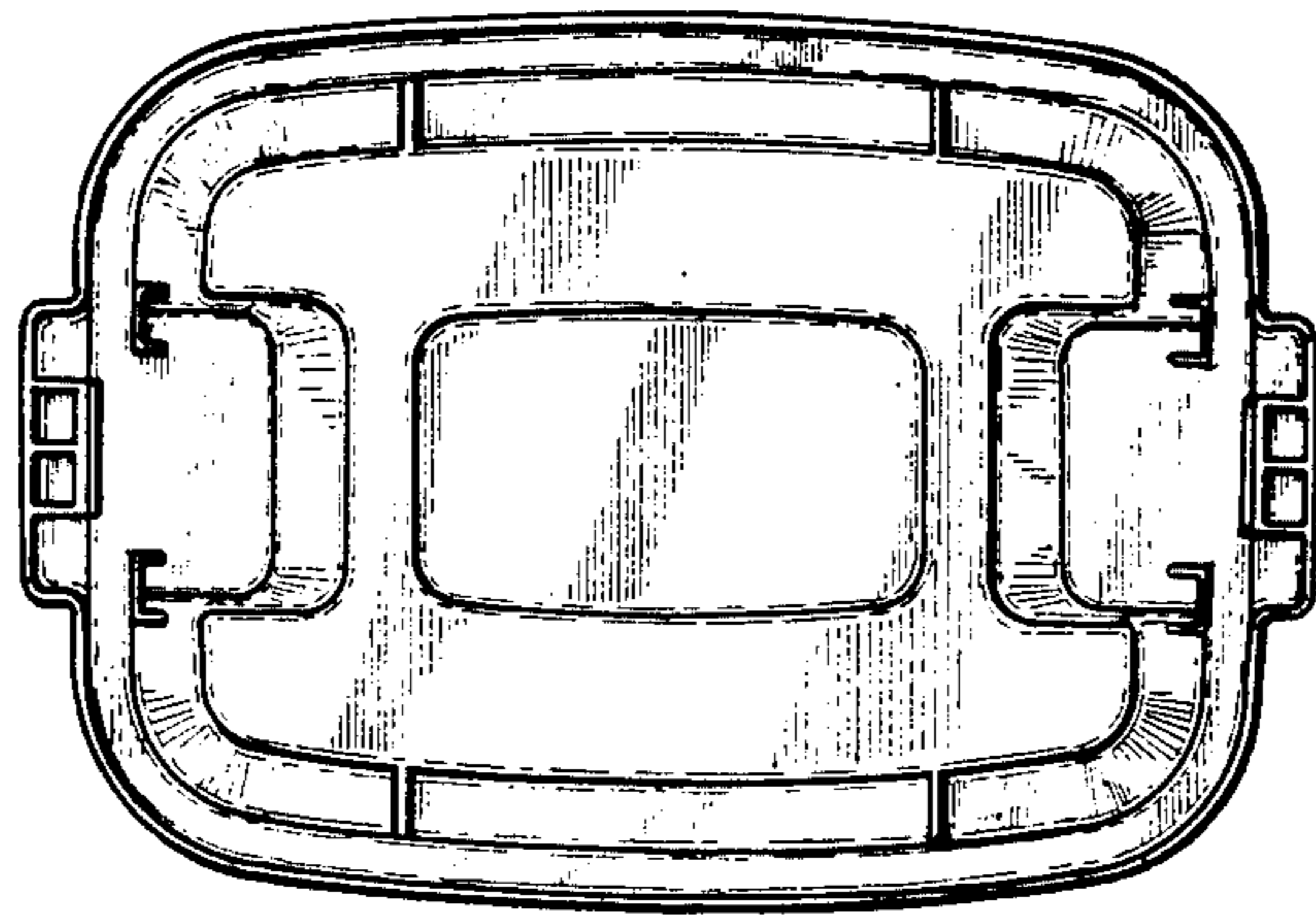


FIG. 5