

United States Patent [19]

Slany et al.

[11] Patent Number: **Des. 297,871**

[45] Date of Patent: **** Sep. 27, 1988**

[54] **FLOOR VACUUM CLEANER**

[75] Inventors: **Hans E. Slany; Reinhard Renner,**
both of Esslingen, Fed. Rep. of
Germany

[73] Assignee: **Progress-Elektrogeraete Mauz &
Pfeiffer GmbH & Co., Nuertingen,**
Fed. Rep. of Germany

[**] Term: **14 Years**

[21] Appl. No.: **806,561**

[22] Filed: **Nov. 26, 1985**

[52] U.S. Cl. **D32/21**

[58] Field of Search **D32/21, 23-24;**
15/323, 327 E, 327 F, 412

[56] **References Cited**

U.S. PATENT DOCUMENTS

D. 243,944 4/1977 Zijlstra **D32/21**

D. 248,303 6/1978 Pearman, Jr. **D32/21**
D. 279,614 7/1985 Essex **D32/21**
D. 289,213 4/1987 Perkins **D32/24**
4,545,794 10/1985 Himukai **15/327 E**

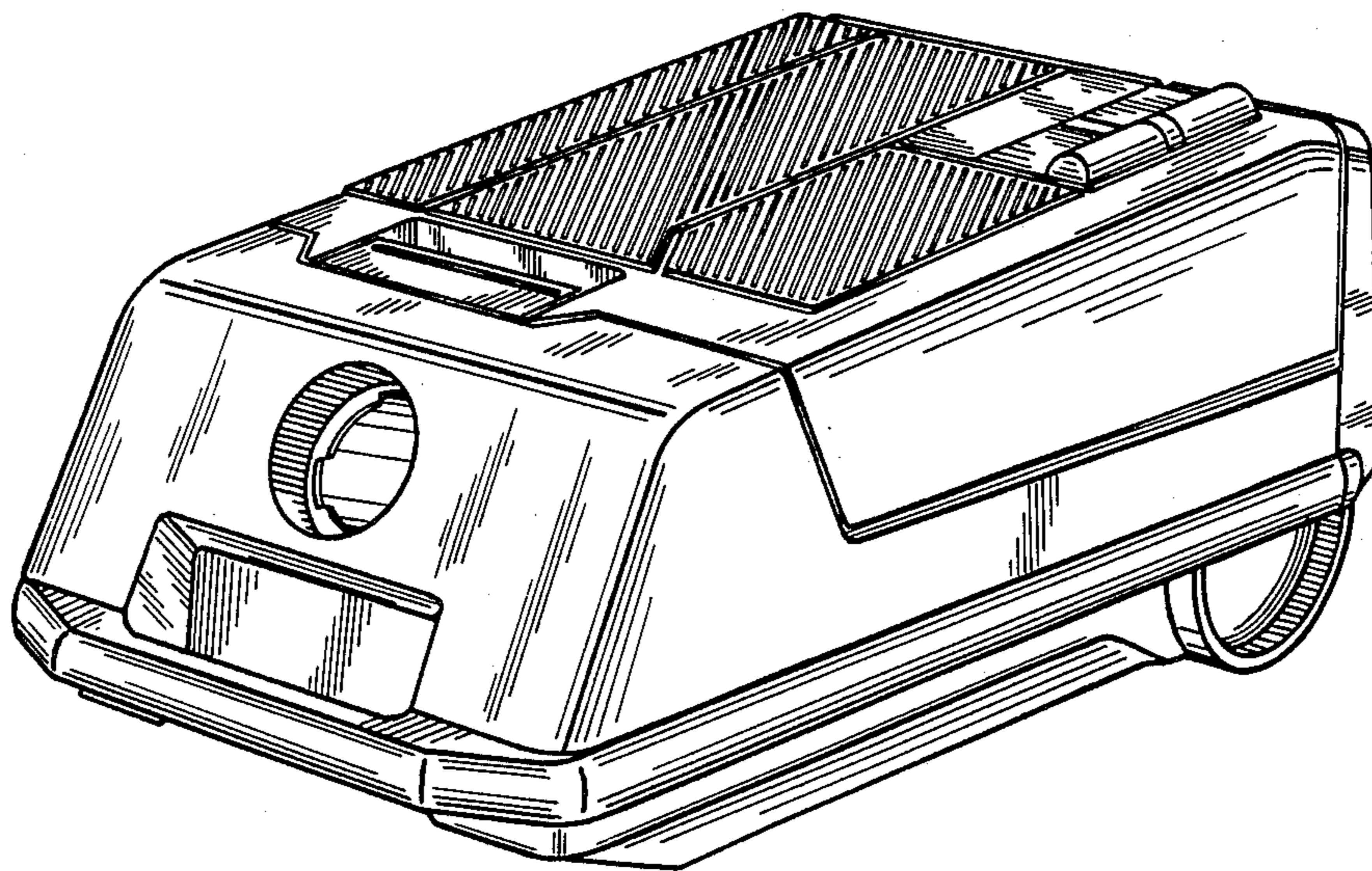
Primary Examiner—Wallace R. Burke
Assistant Examiner—Ruth Takemoto
Attorney, Agent, or Firm—Kline, Rommel & Colbert

[57] **CLAIM**

The ornamental design for a floor vacuum cleaner, as shown.

DESCRIPTION

FIG. 1 is a right side elevational view of a floor vacuum cleaner showing my new design;
FIG. 2 is a left side elevational view thereof;
FIG. 3 is a front elevational view thereof;
FIG. 4 is a rear elevational view thereof;
FIG. 5 is a top plan view thereof;
FIG. 6 is a bottom plan view thereof; and
FIG. 7 is a top, front and left side oblique view thereof.



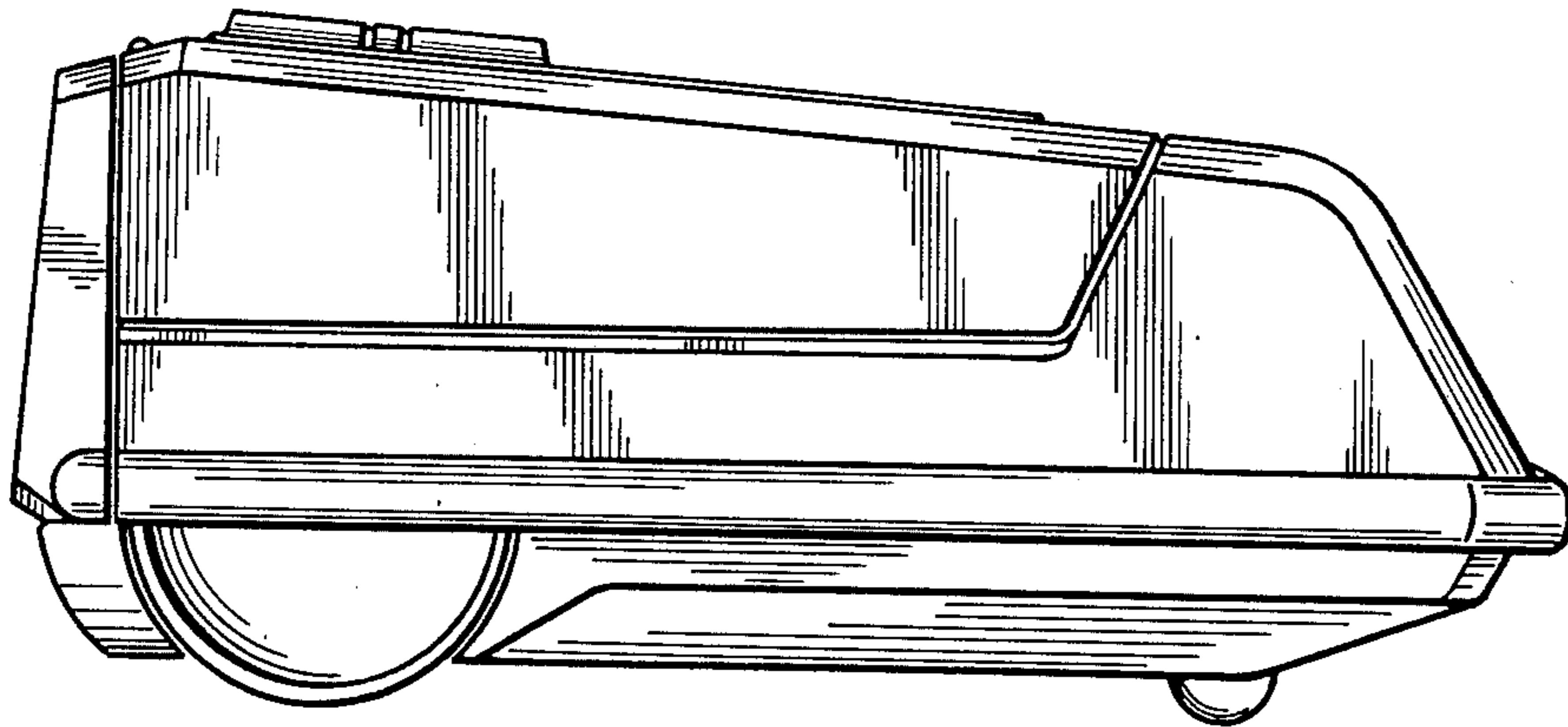


FIG. 1

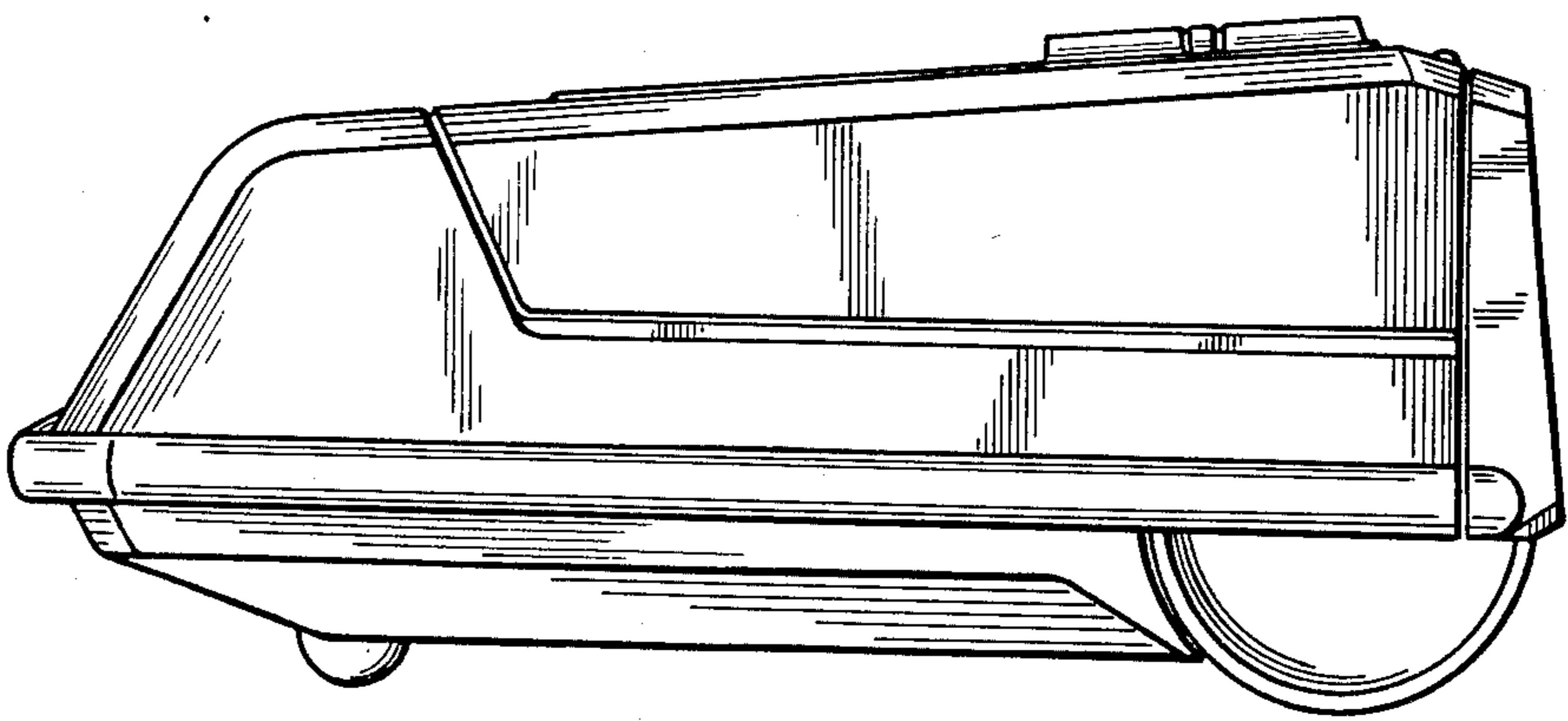


FIG. 2

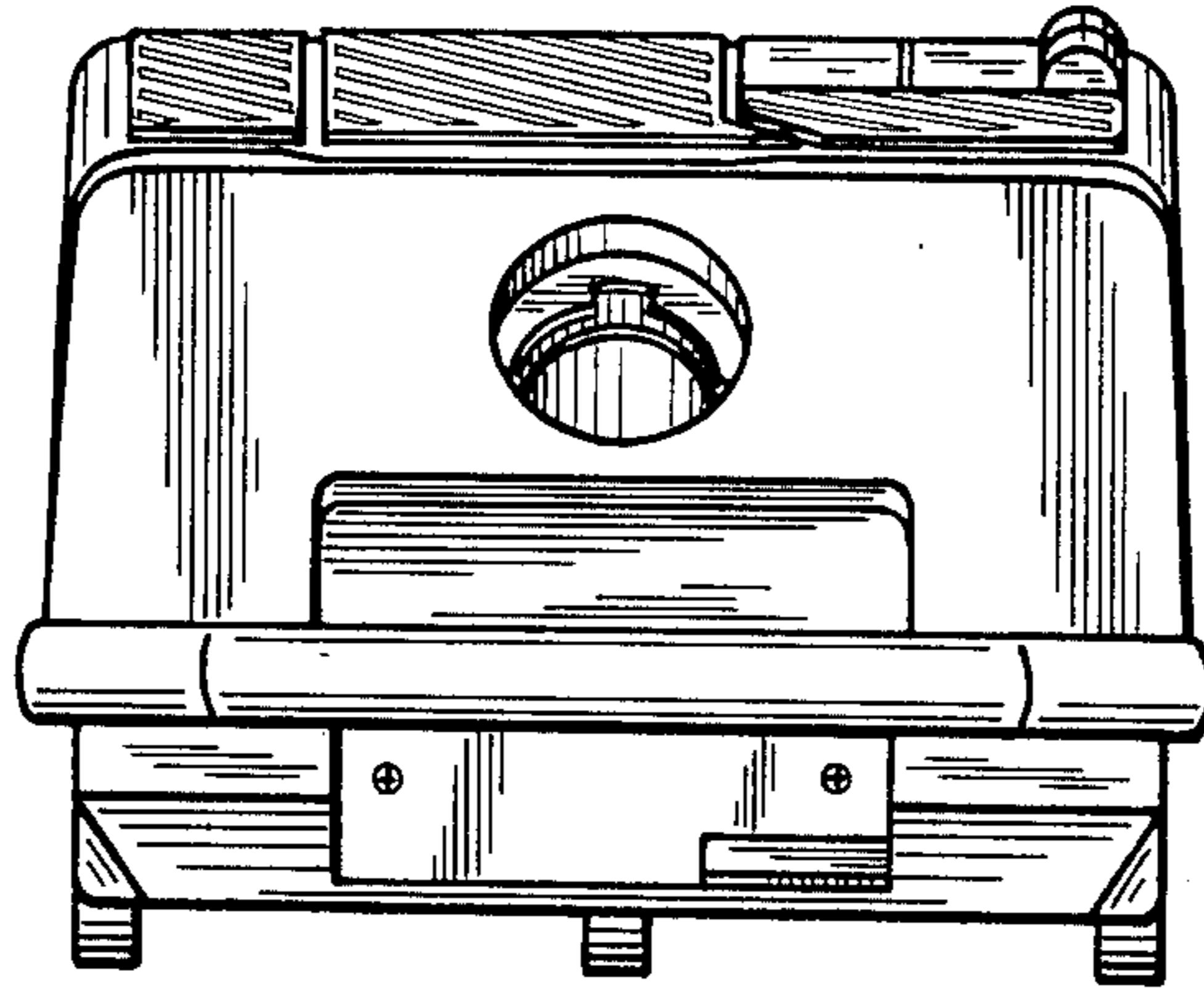


FIG. 3

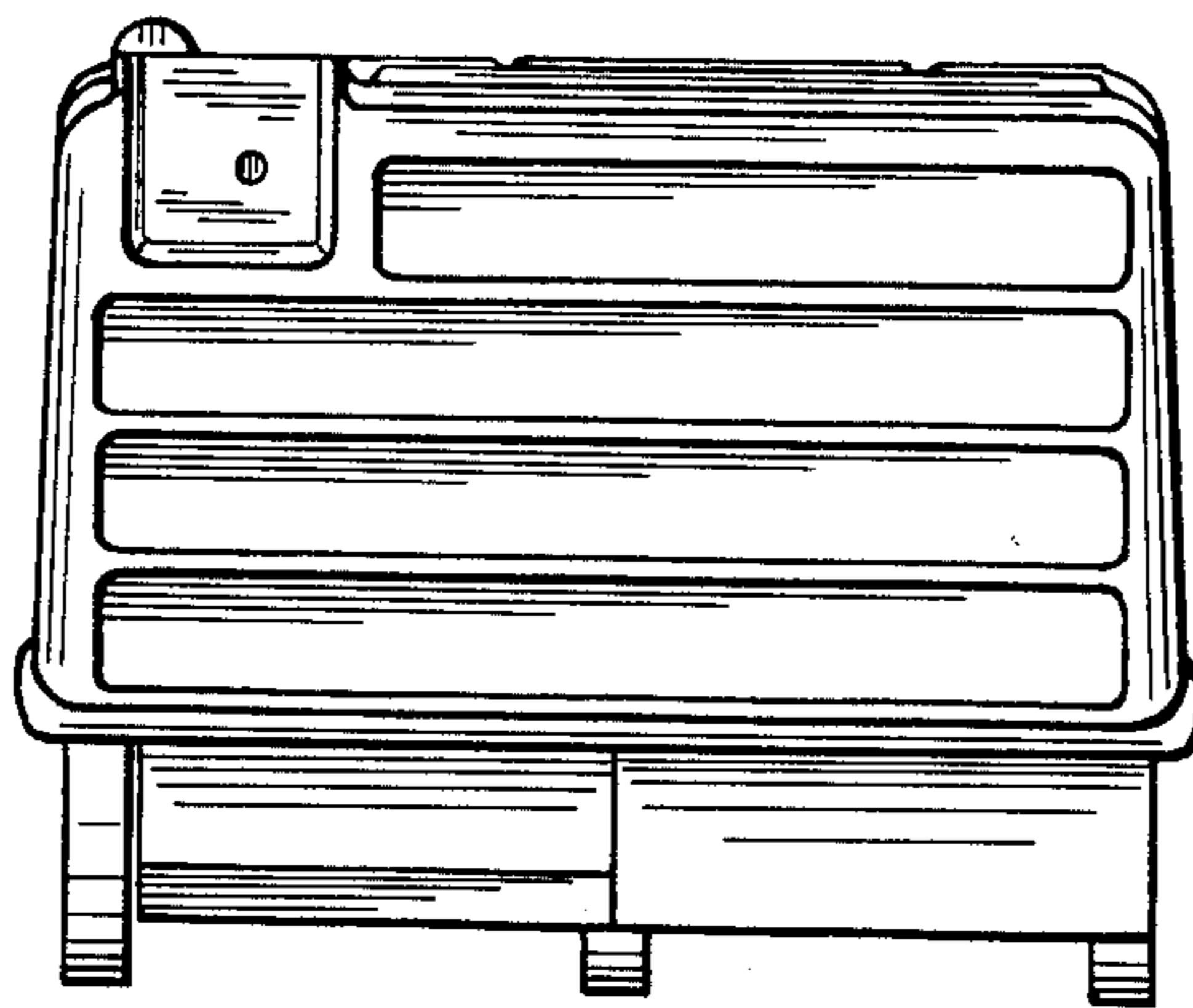


FIG. 4

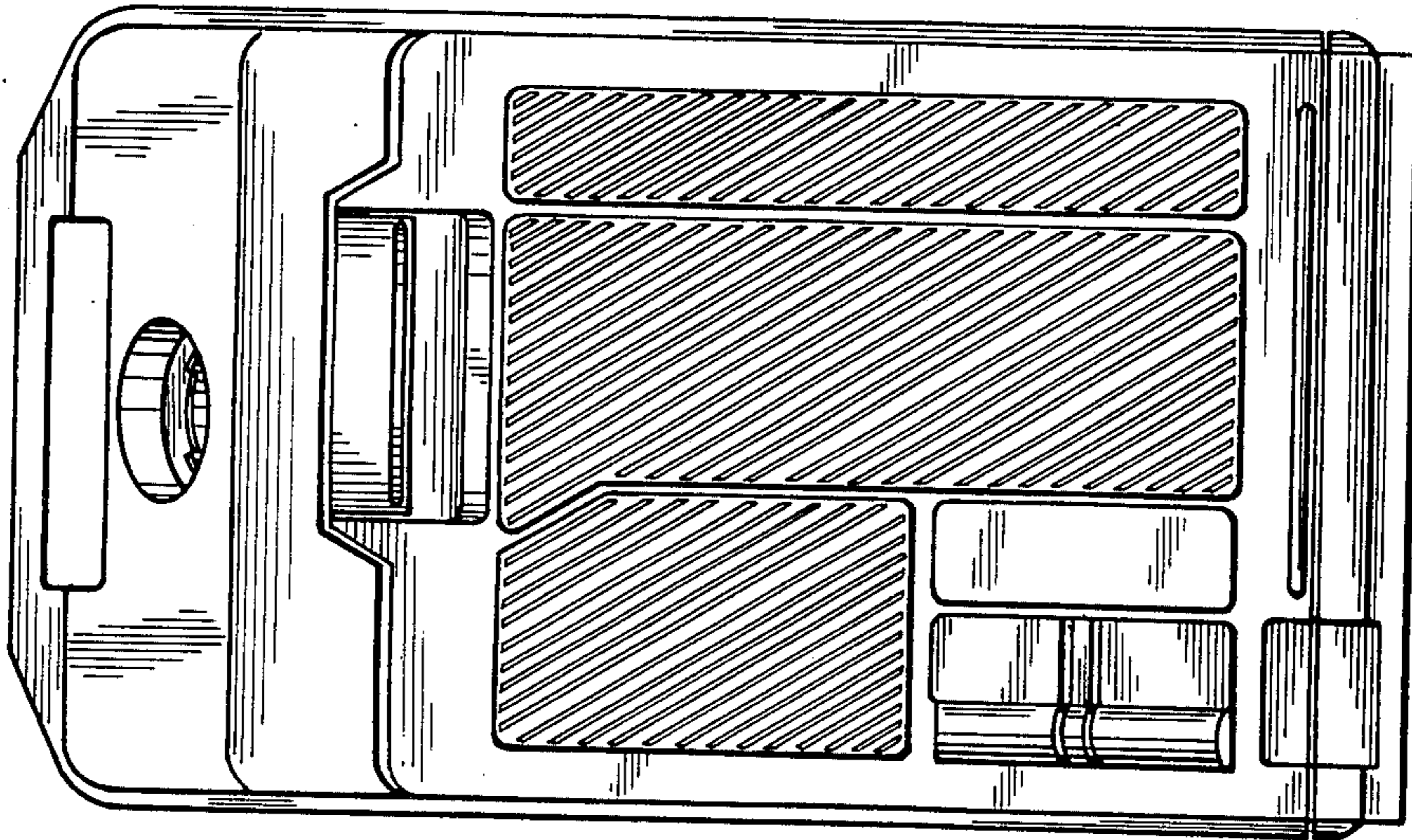


FIG. 5

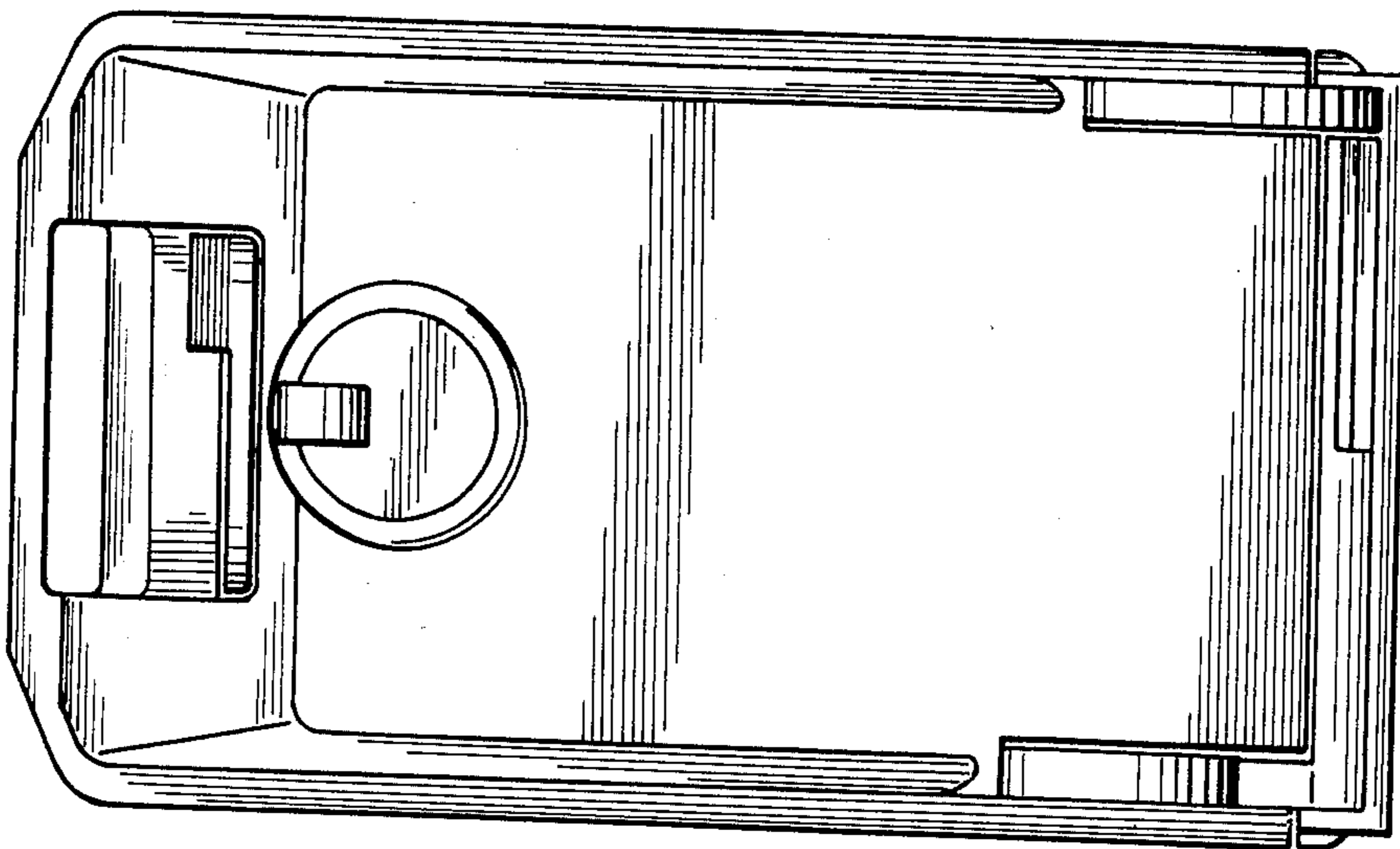


FIG. 6

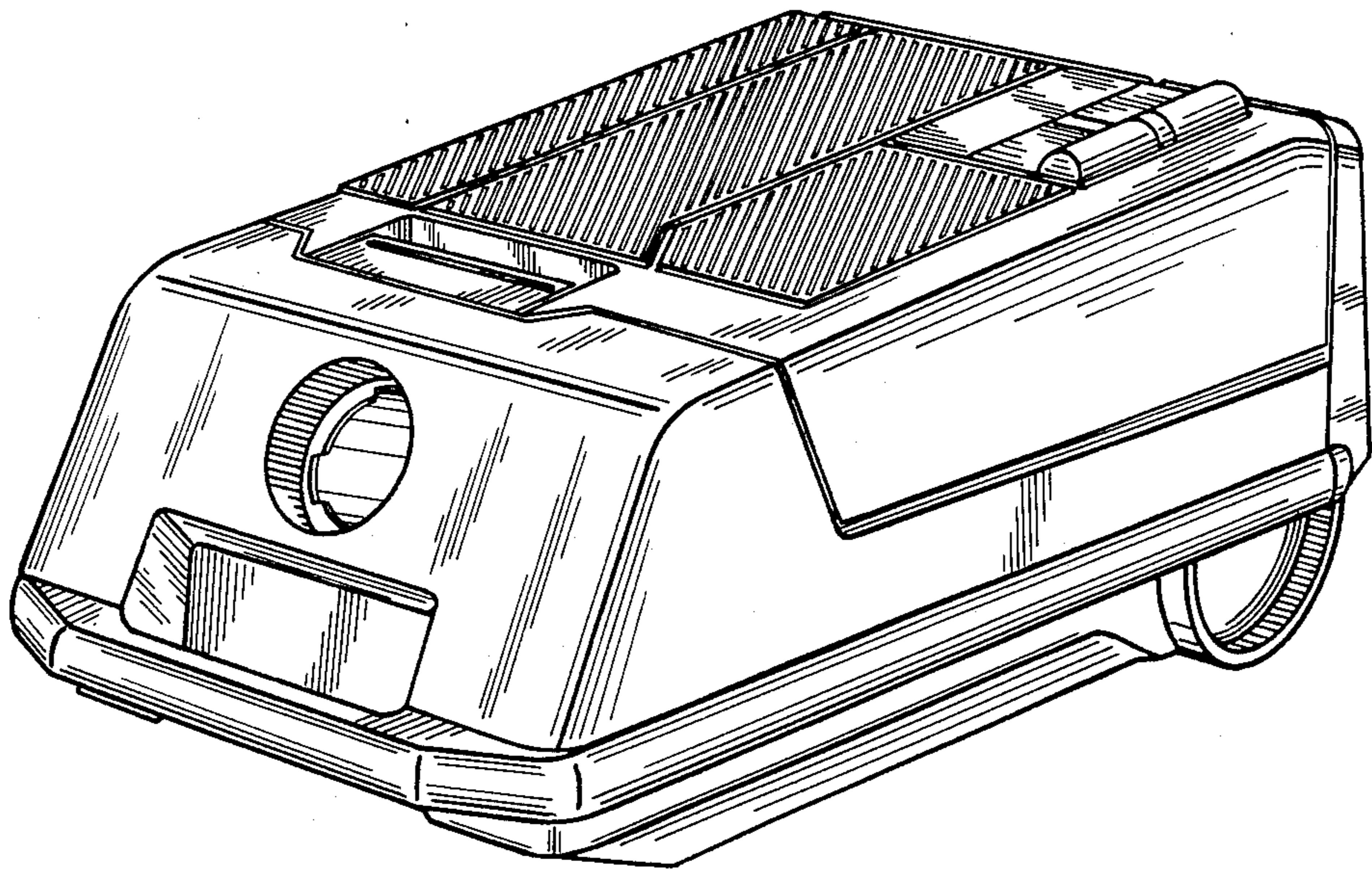


FIG. 7