

[54] ORGANIZER FOR PANCAKE AND COMPACT MAKEUP

[76] Inventor: Howard Sussman, 1079 Hillsboro Mile, Hillsboro Beach, Fla. 33062

[\*\*] Term: 14 Years

[21] Appl. No.: 806,383

[22] Filed: Dec. 9, 1985

[52] U.S. Cl. .... D28/76; D9/347; D34/46

[58] Field of Search ..... D28/38, 61, 73-91.1; D3/39; D9/337, 341, 347, 424; D34/40, 46; D21/108; 132/1 R, 79 R-79 D; 206/235, 385, 581, 823; 312/108, 111

[56] References Cited

U.S. PATENT DOCUMENTS

D. 228,263 8/1973 Jones ..... D9/424 X

D. 234,727 4/1975 Mark ..... D3/39  
D. 238,145 12/1975 Ketcham ..... D21/108  
D. 283,074 3/1986 Skillius ..... D34/40  
3,404,804 10/1968 Frater ..... D34/40 X  
3,851,936 12/1974 Muller ..... 312/111 X

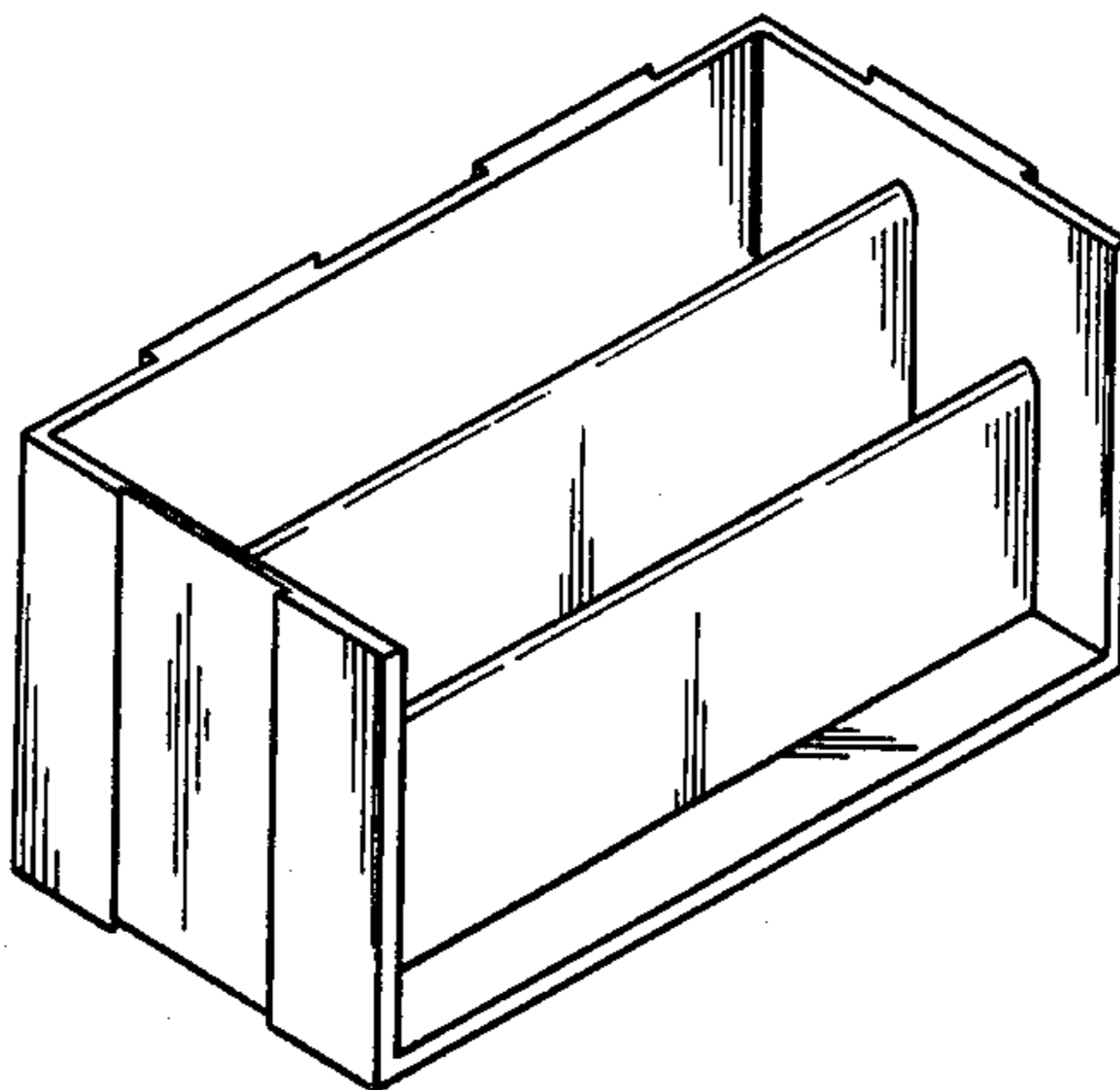
Primary Examiner—Louis S. Zarfes

[57] CLAIM

The ornamental design for an organizer for pancake and compact makeup, as shown and described.

DESCRIPTION

FIG. 1 is a left-front isometric view of an organizer for pancake and compact makeup showing my new design; FIG. 2 is a plan view thereof; FIG. 3 is a front elevational view thereof; FIG. 4 is a bottom view thereof; FIG. 5 is a rear elevational view thereof; FIG. 6 is a right side elevational view thereof; FIG. 7 is a left side elevational view thereof; and FIG. 8 is a section along line 8—8 of FIG. 1.



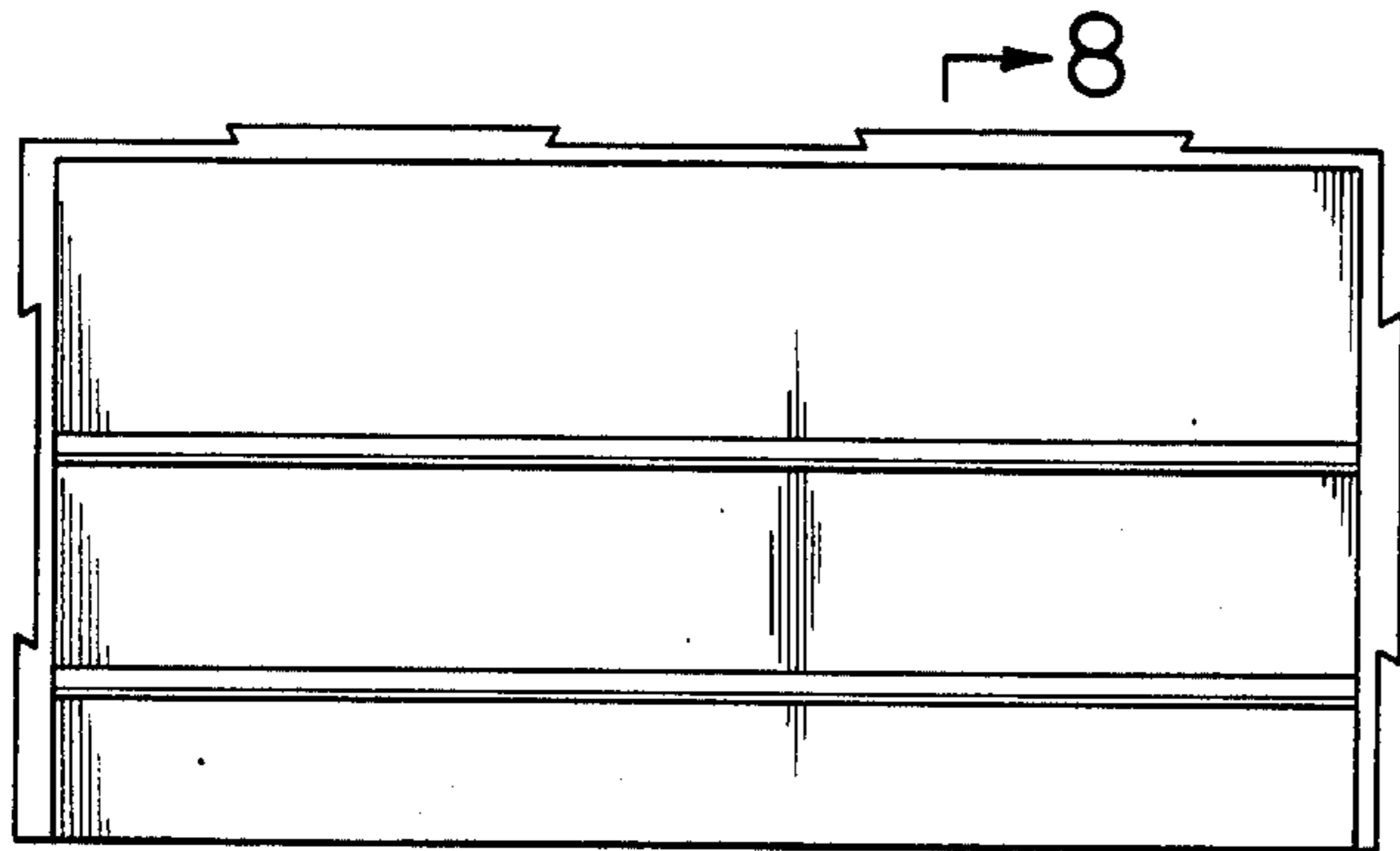


FIG. 2

8

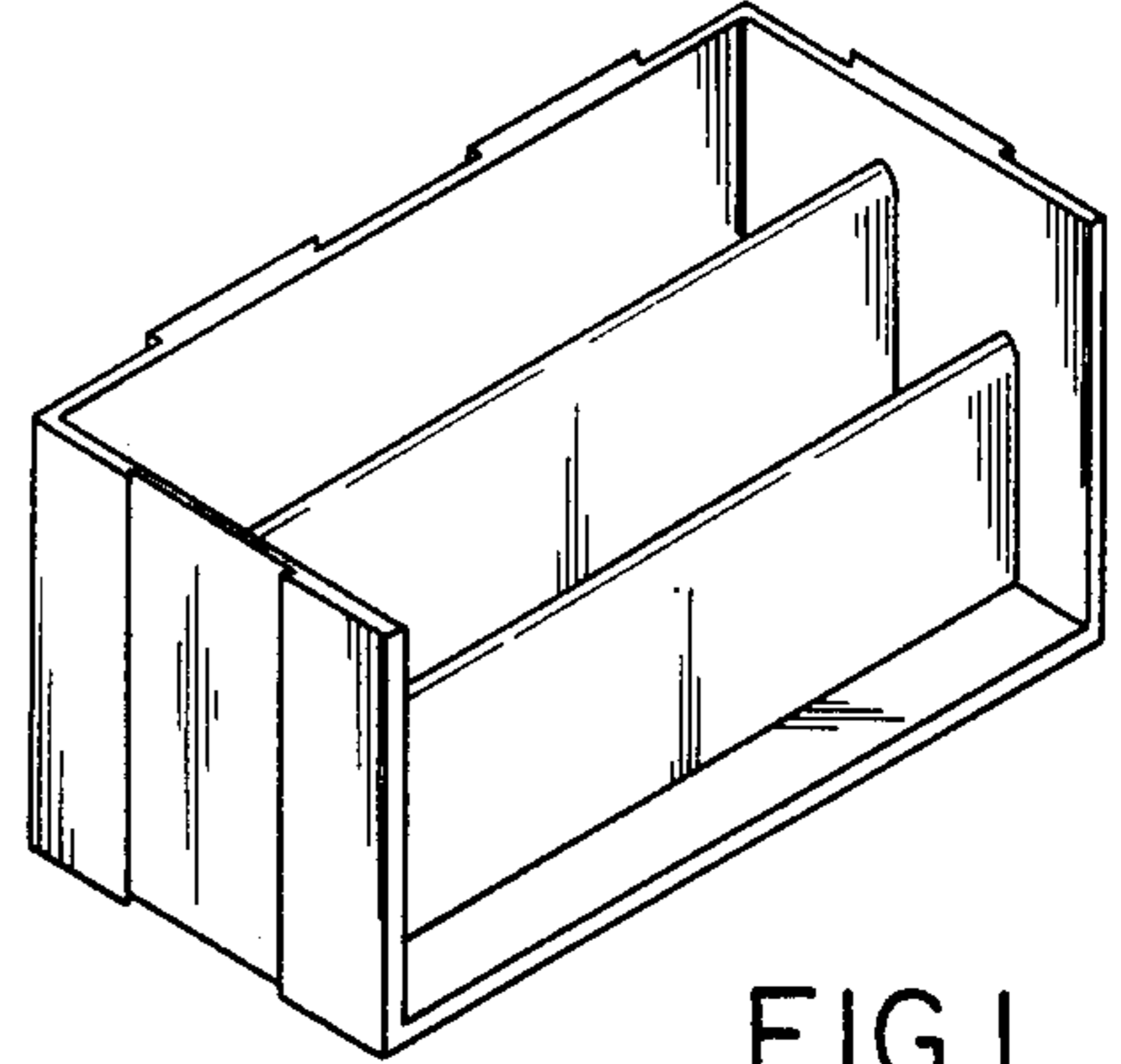


FIG. 1

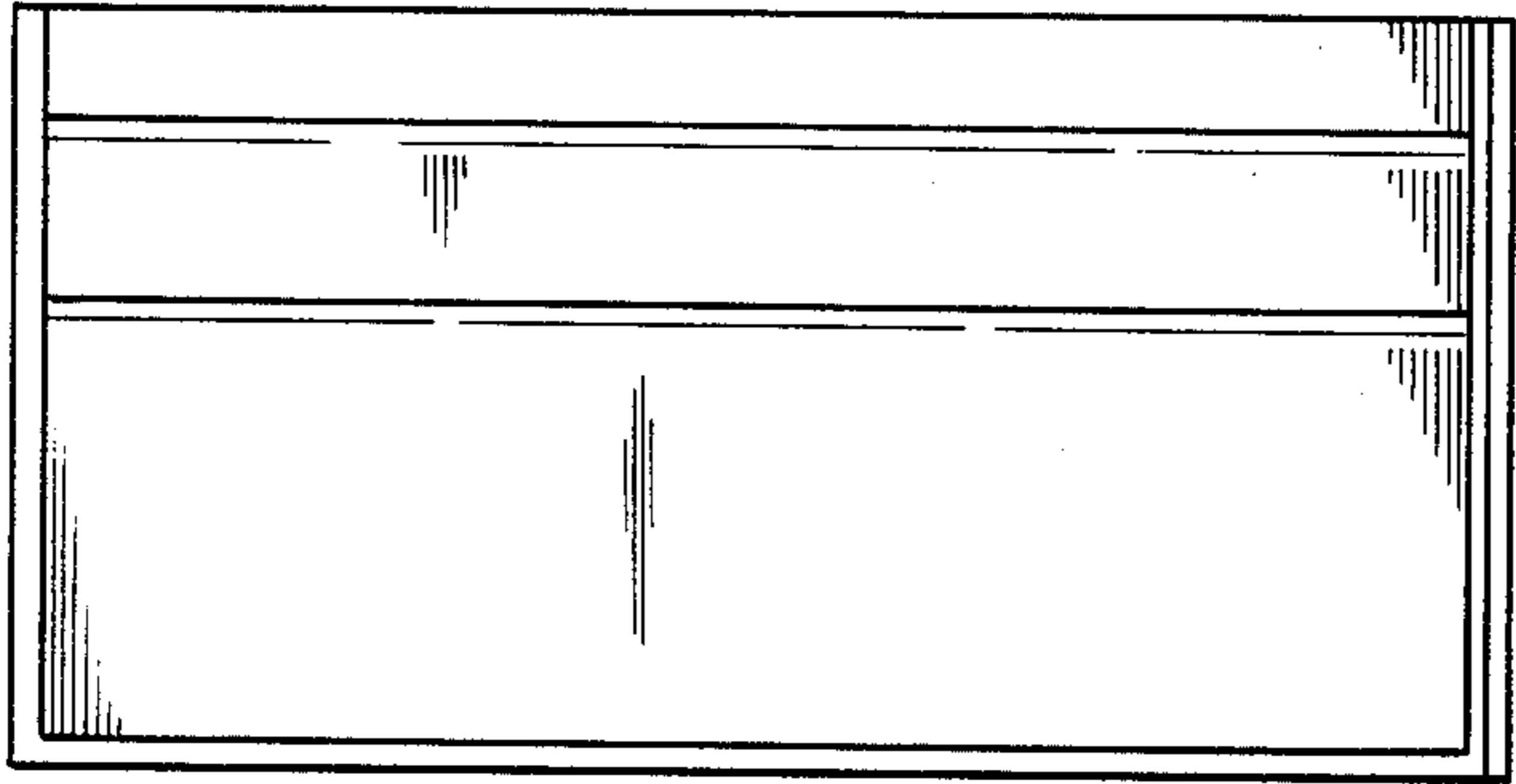


FIG. 3

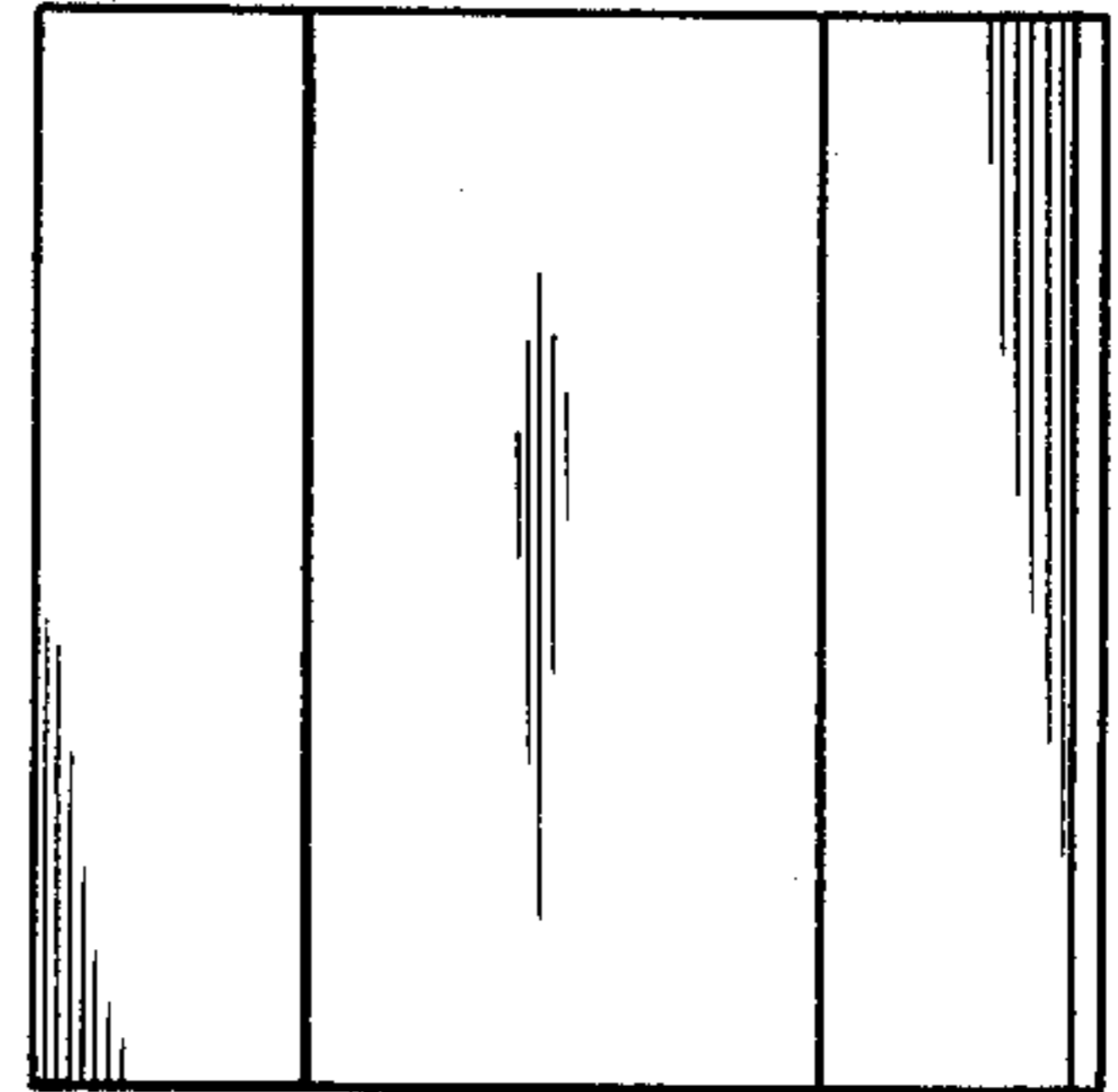


FIG. 6

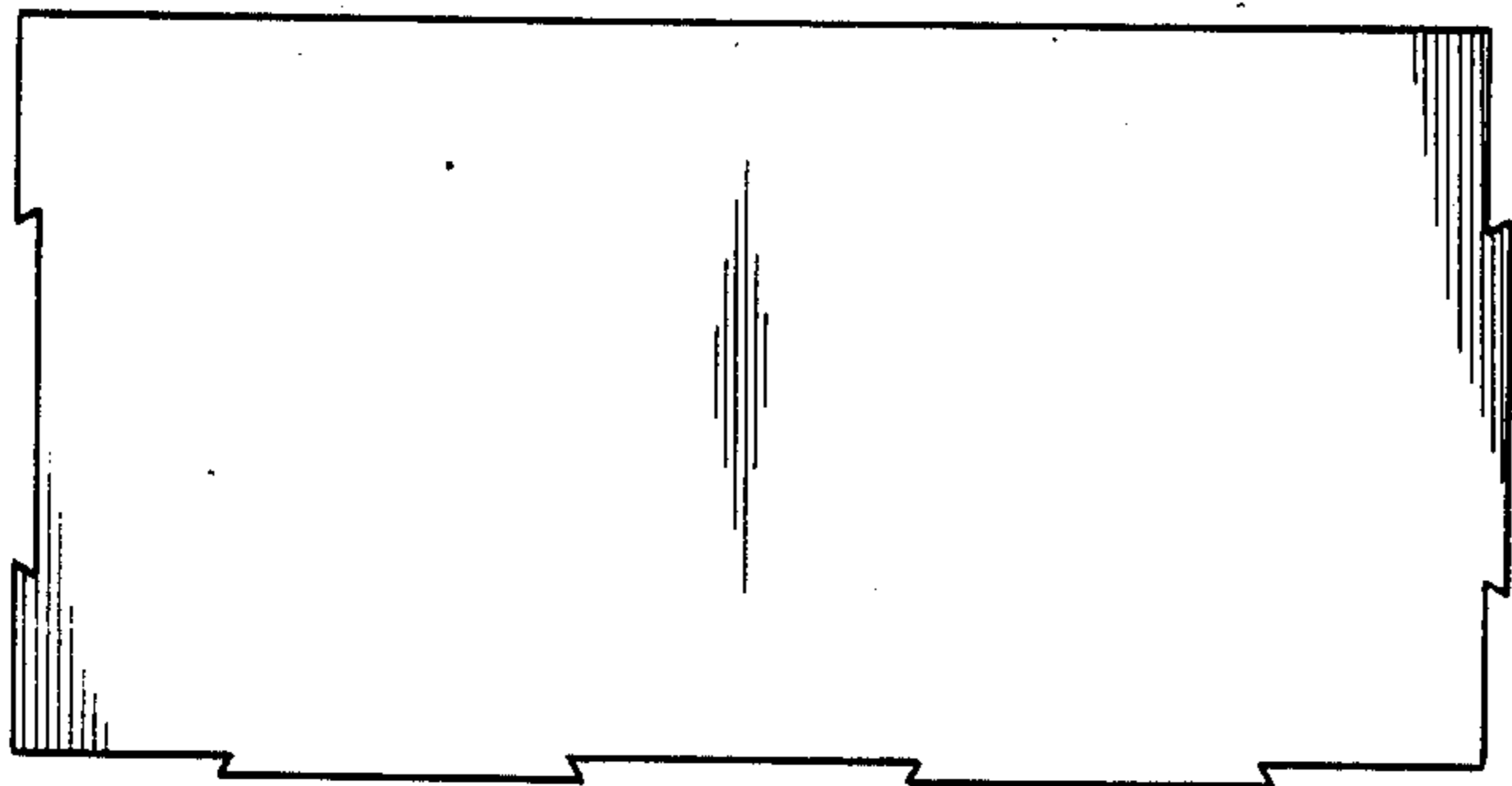


FIG. 4

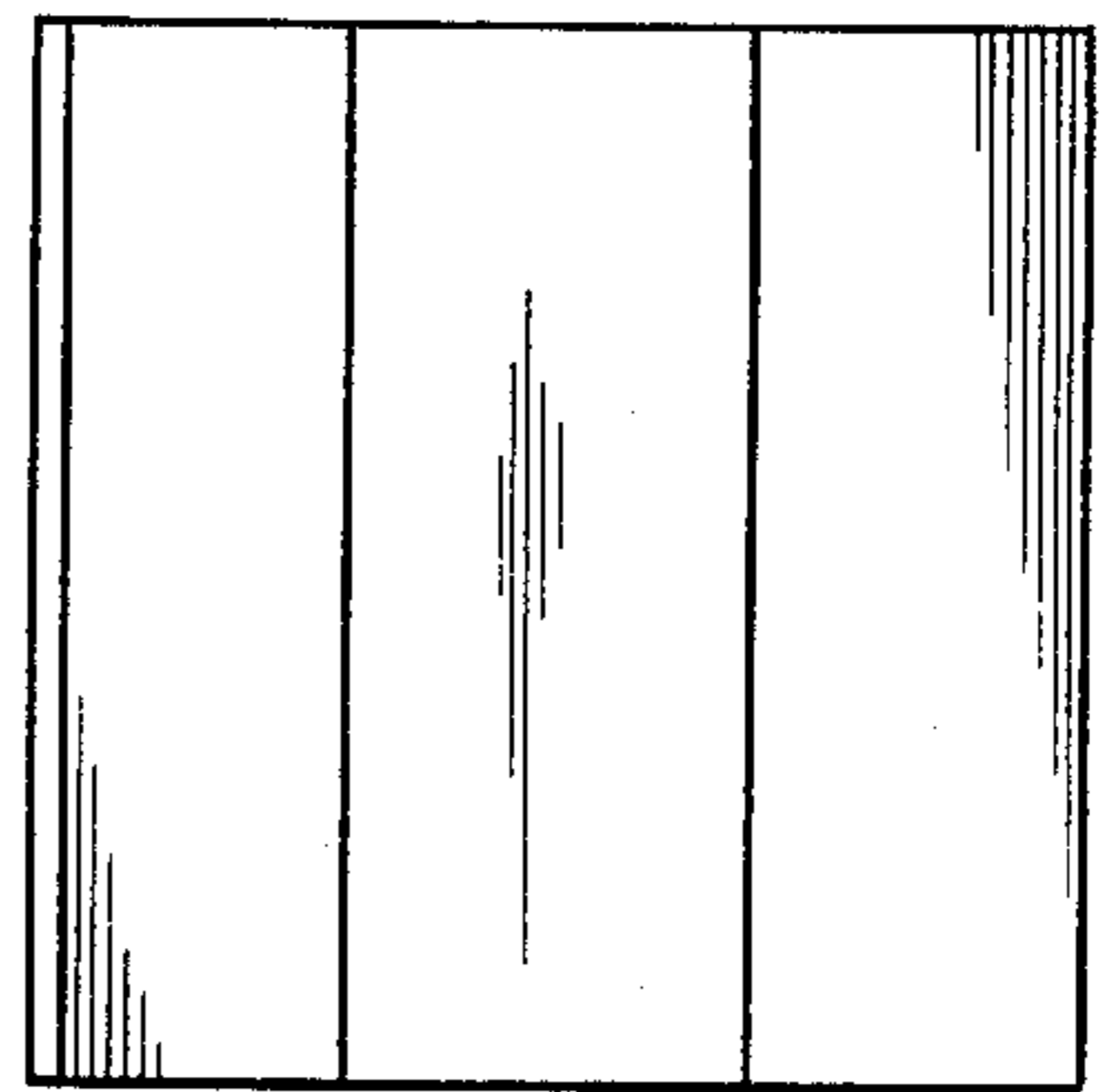


FIG. 7

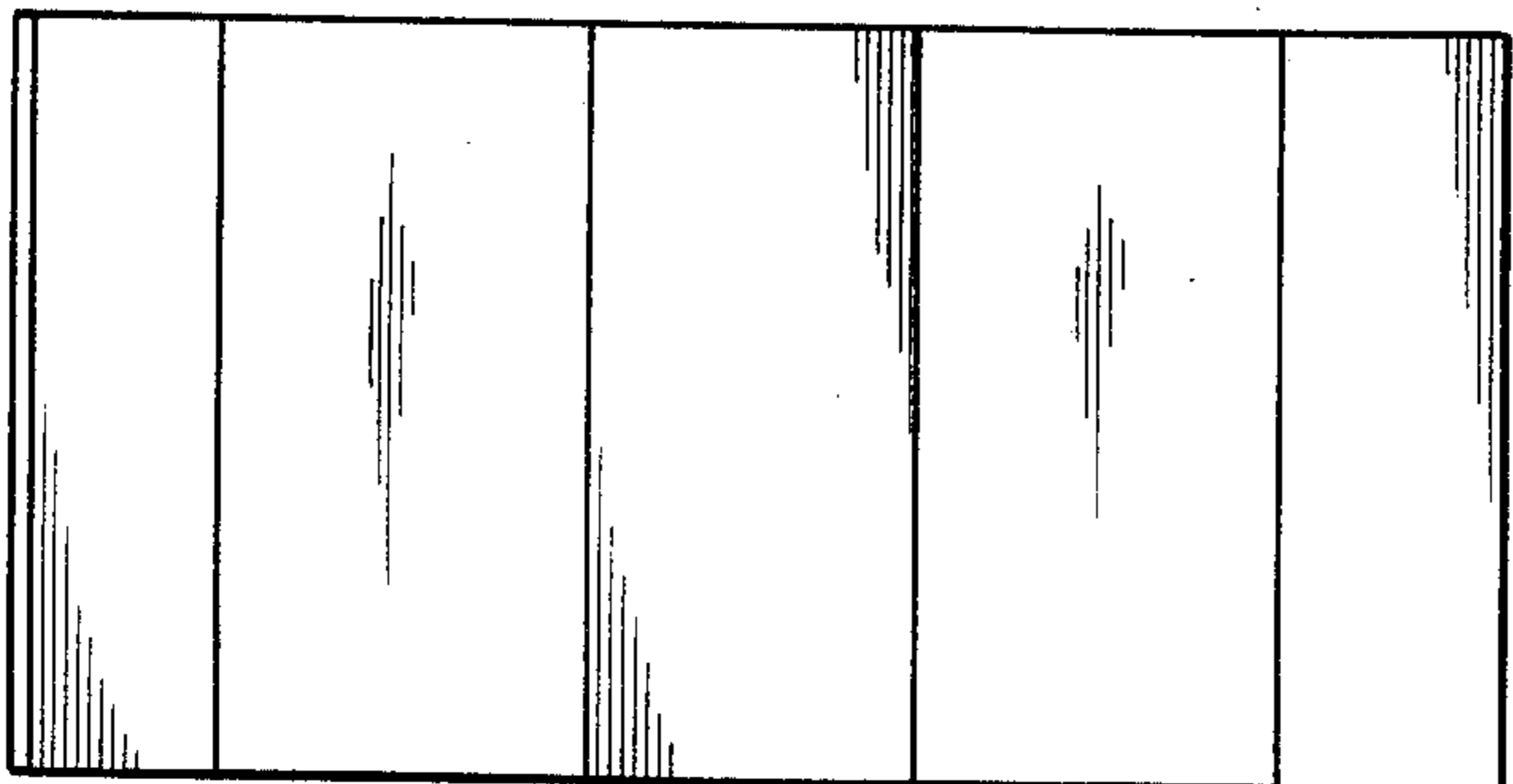


FIG. 5

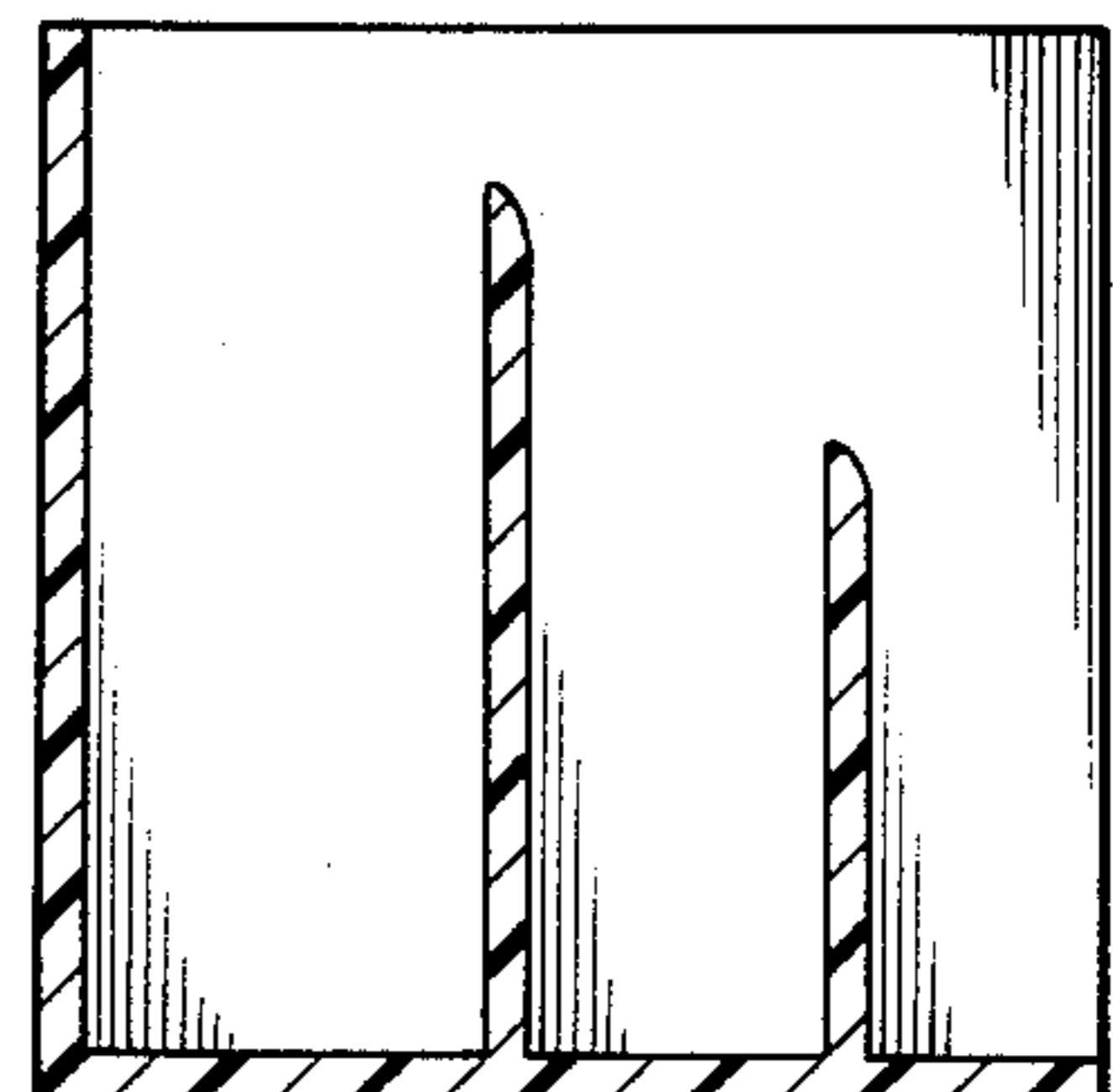


FIG. 8