

United States Patent [19]

Sussman

[11] Patent Number: **Des. 297,867**

[45] Date of Patent: **** Sep. 27, 1988**

[54] **COTTON SWAB DISPENSER**

[76] Inventor: **Howard Sussman**, 1079 Hillsboro Mile, Hillsboro Beach, Fla. 33062

[**] Term: **14 Years**

[21] Appl. No.: **807,484**

[22] Filed: **Dec. 10, 1985**

[52] U.S. Cl. **D28/73; D9/420**

[58] Field of Search **D28/4-9, D28/38, 61, 73-91.1; D3/39; D34/40, 46; D21/108; D9/337-339, 420, 414, 418, 432, 423, 424; 206/235, 385, 581, 823; 132/1 R, 79 R-79 D; 312/111, 108; 221/190-192**

[56] **References Cited**

U.S. PATENT DOCUMENTS

D. 139,041 10/1944 Morrison D28/77

D. 238,145 12/1975 Kethcam D21/108
D. 252,409 7/1979 Rose et al. D28/73 X
D. 290,534 6/1987 Wendkos D28/76
3,851,936 12/1974 Muller 312/111 X

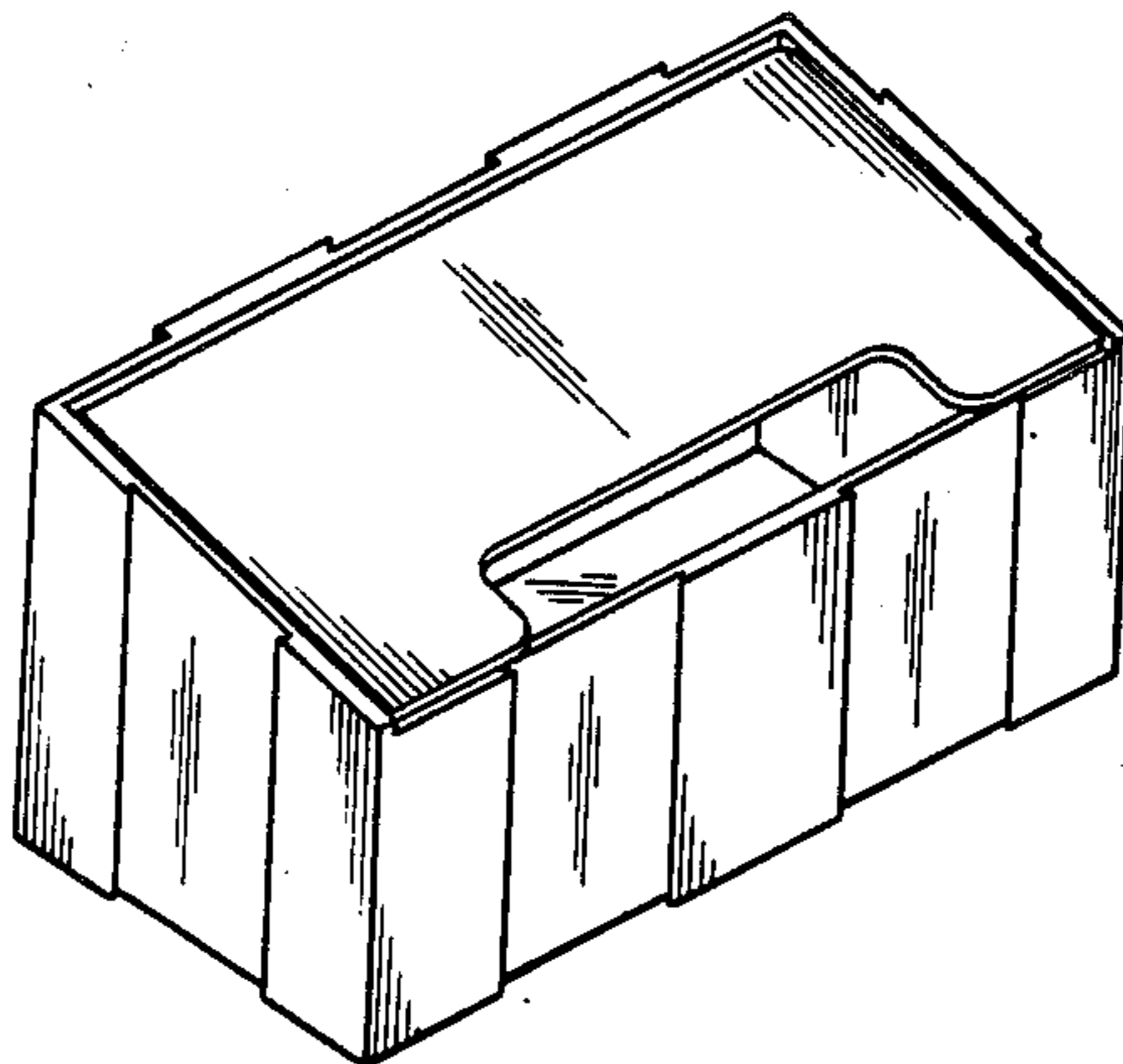
Primary Examiner—Louis S. Zarfes

[57] **CLAIM**

The ornamental design for a cotton swab dispenser, as shown and described.

DESCRIPTION

FIG. 1 is a left-front isometric view of a cosmetic puff dispenser showing my new design;
FIG. 2 is a plan view thereof;
FIG. 3 is a front elevational view thereof;
FIG. 4 is a bottom view thereof;
FIG. 5 is a rear elevational view thereof;
FIG. 6 is a right side elevational view thereof;
FIG. 7 is a left side elevational view thereof; and
FIG. 8 is a section along line 8—8 of FIG. 1.



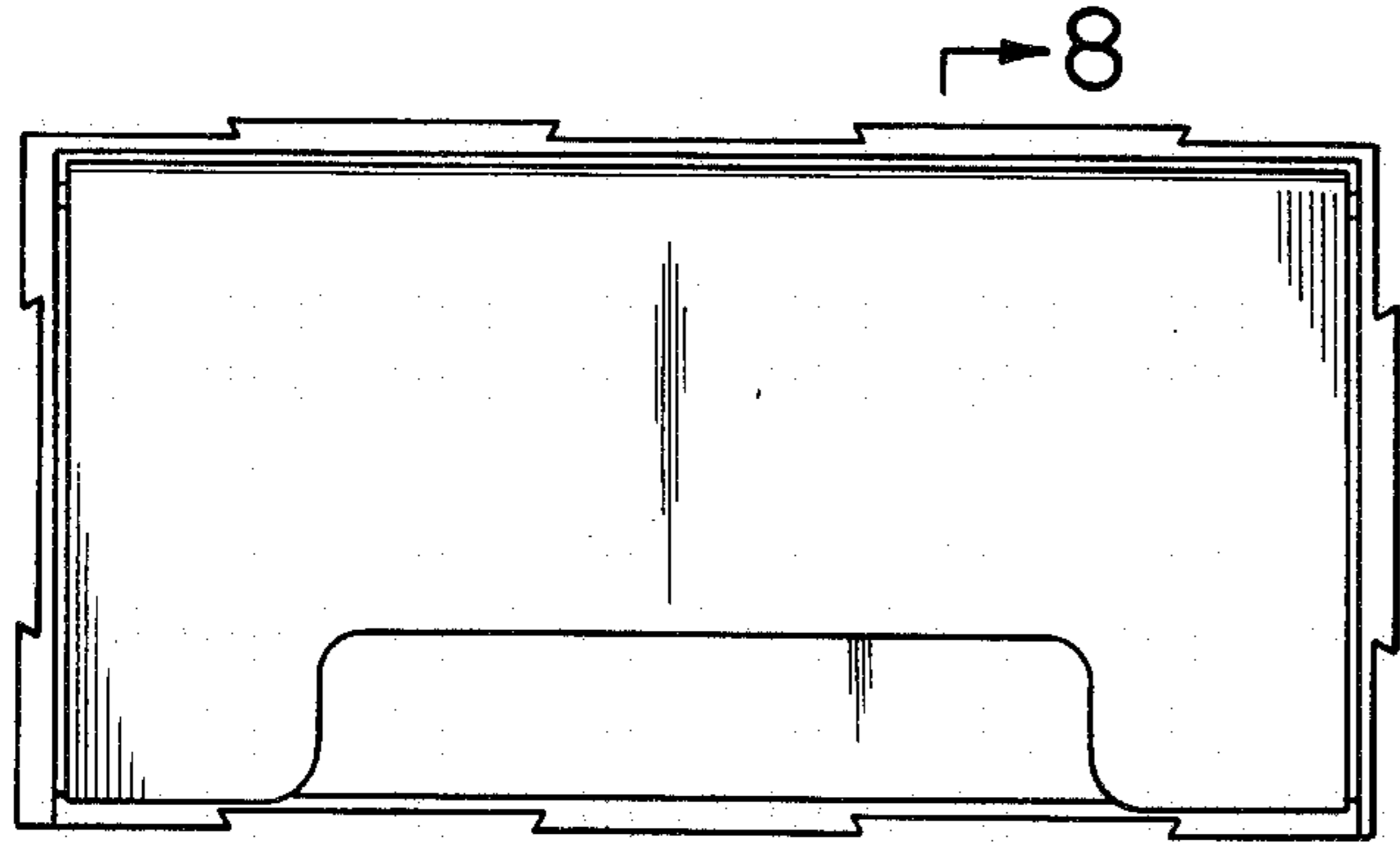


FIG. 2

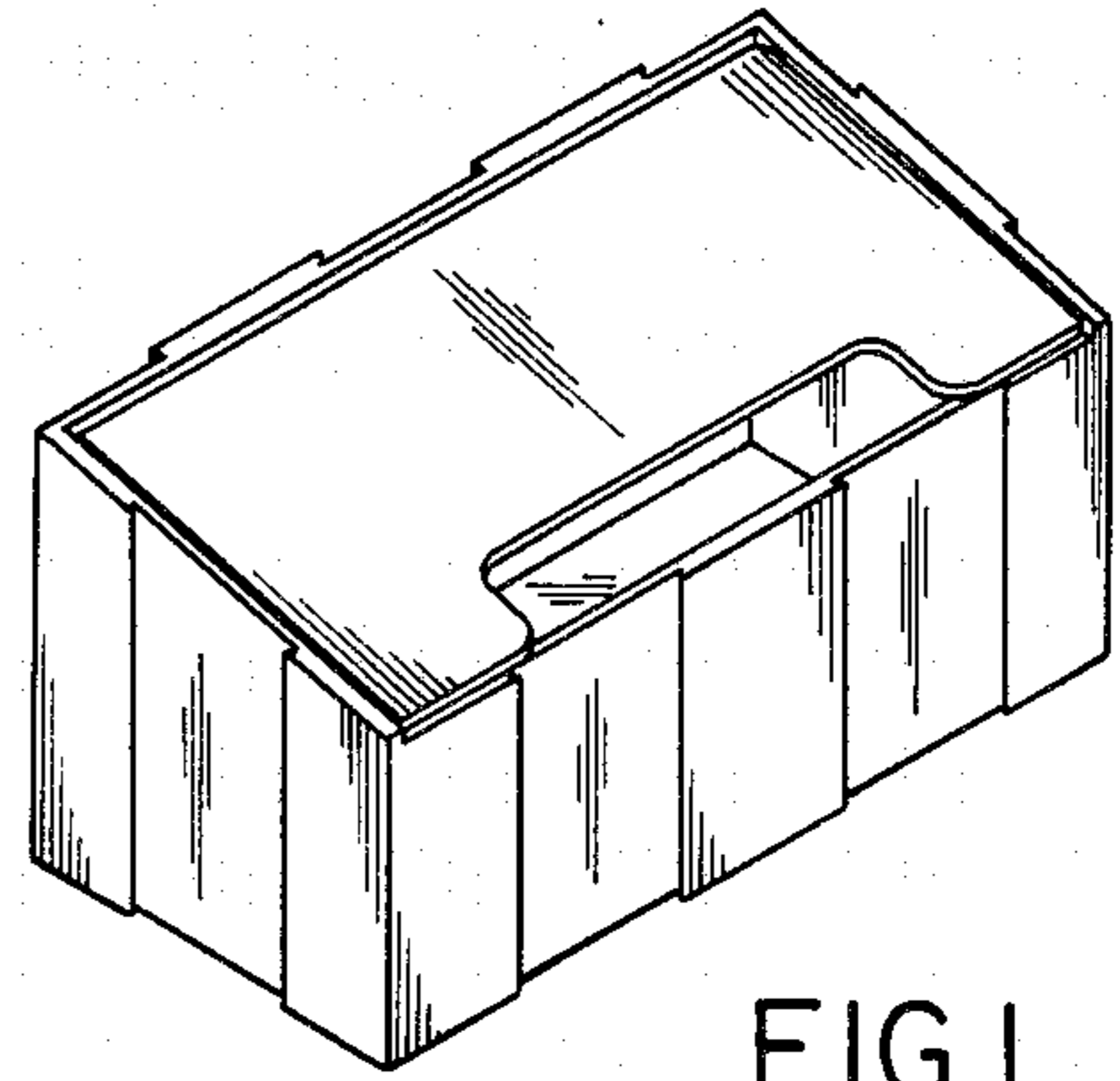


FIG. 1

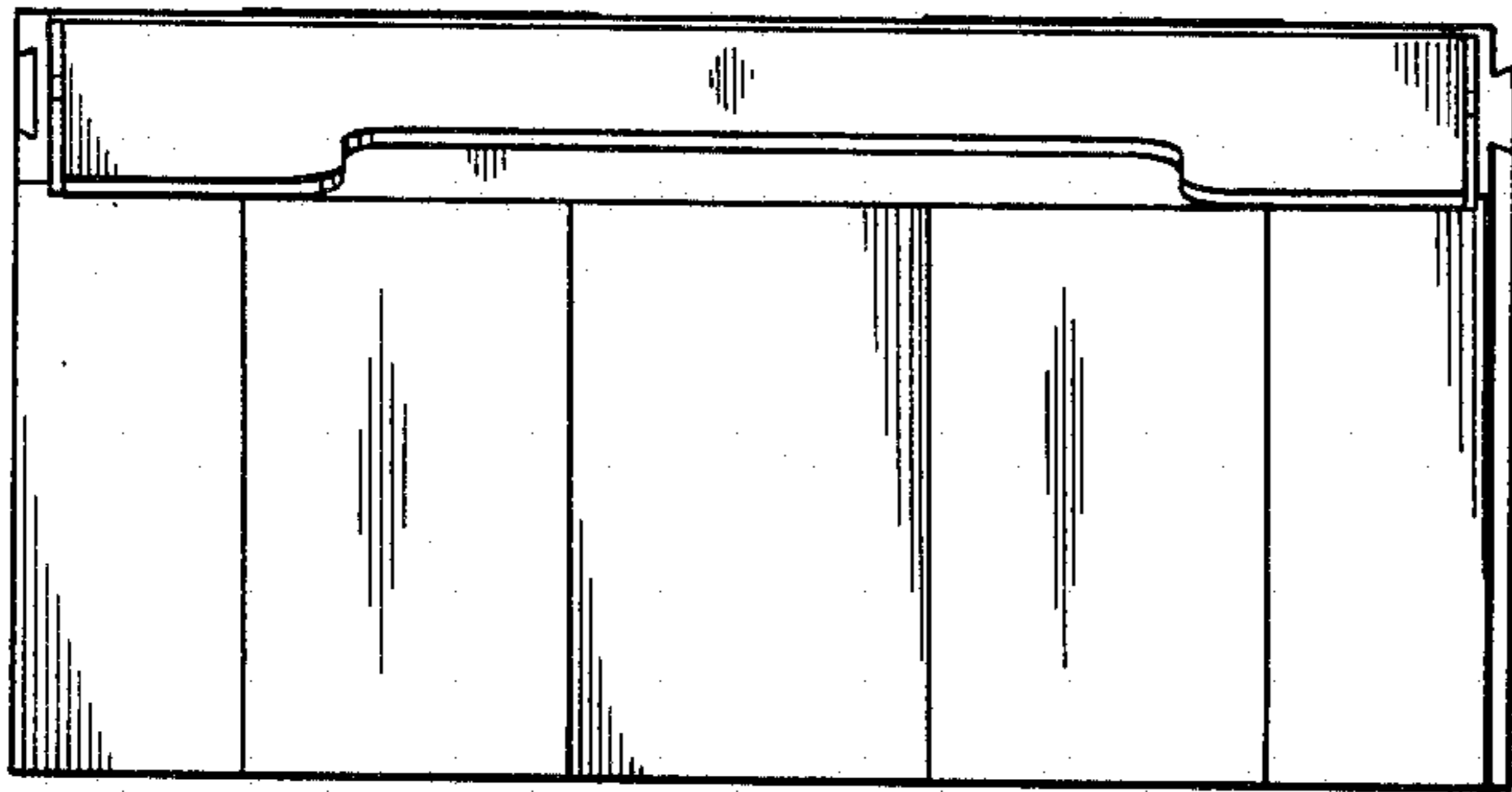


FIG. 3

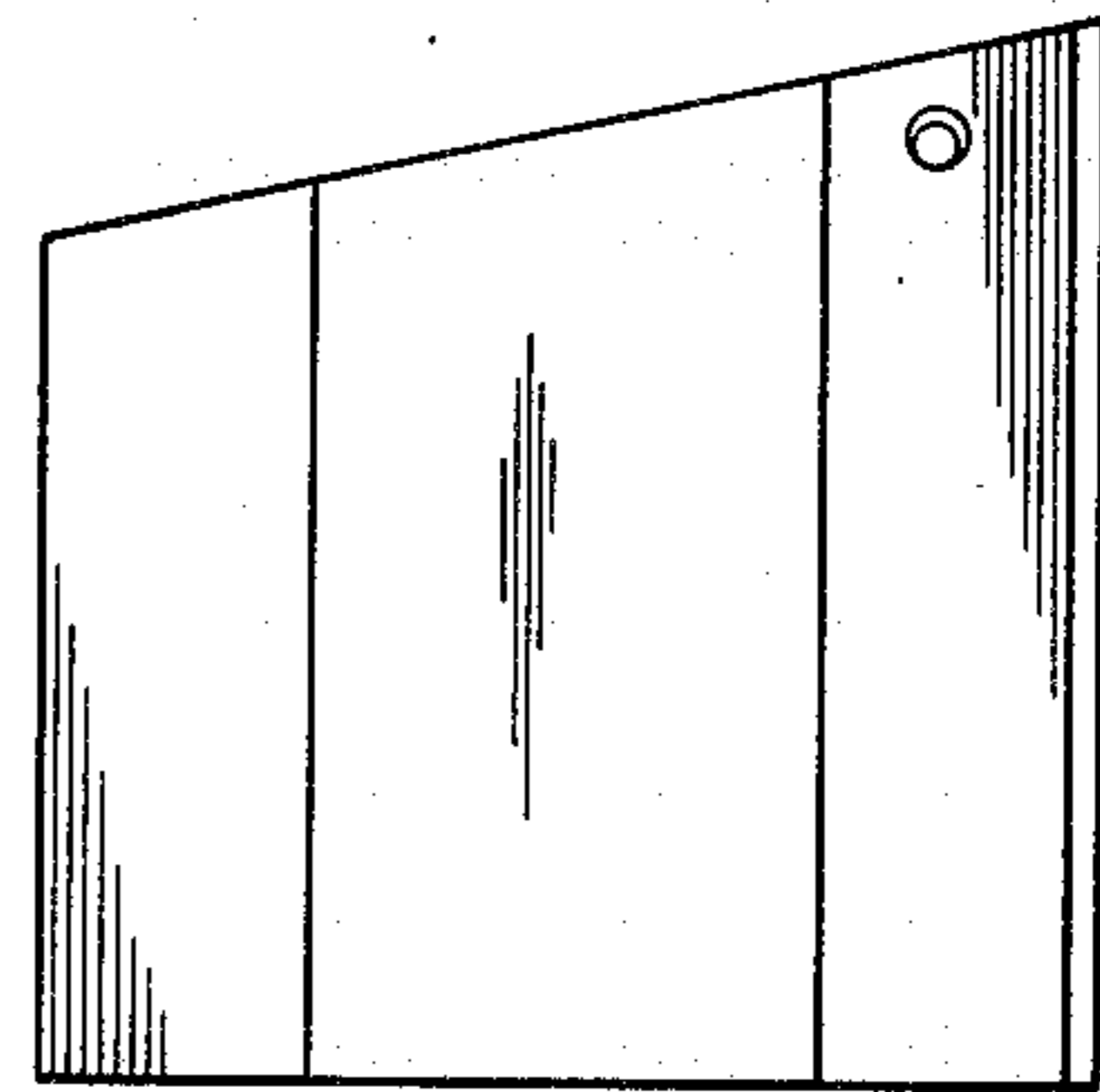


FIG. 6

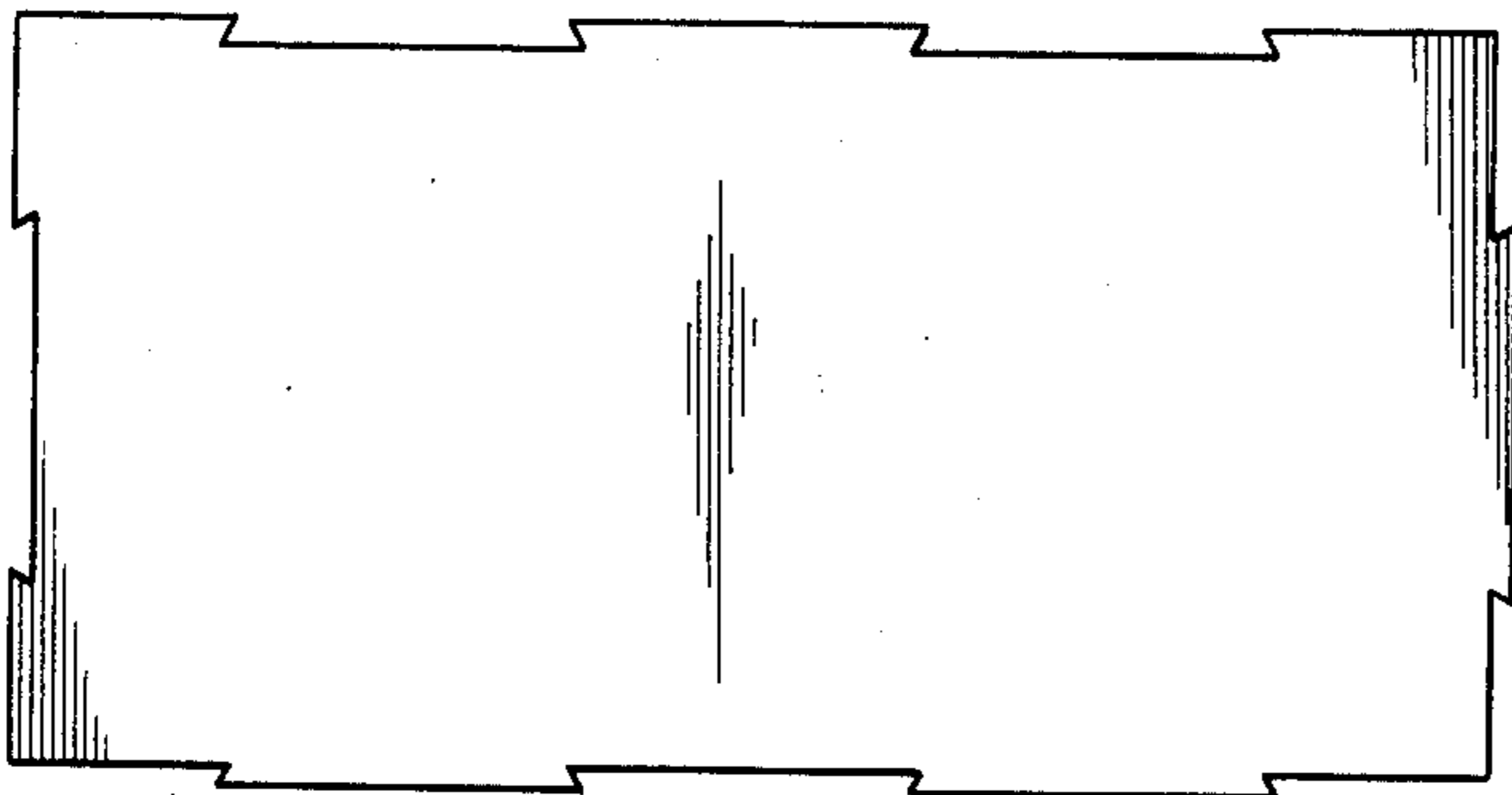


FIG. 4

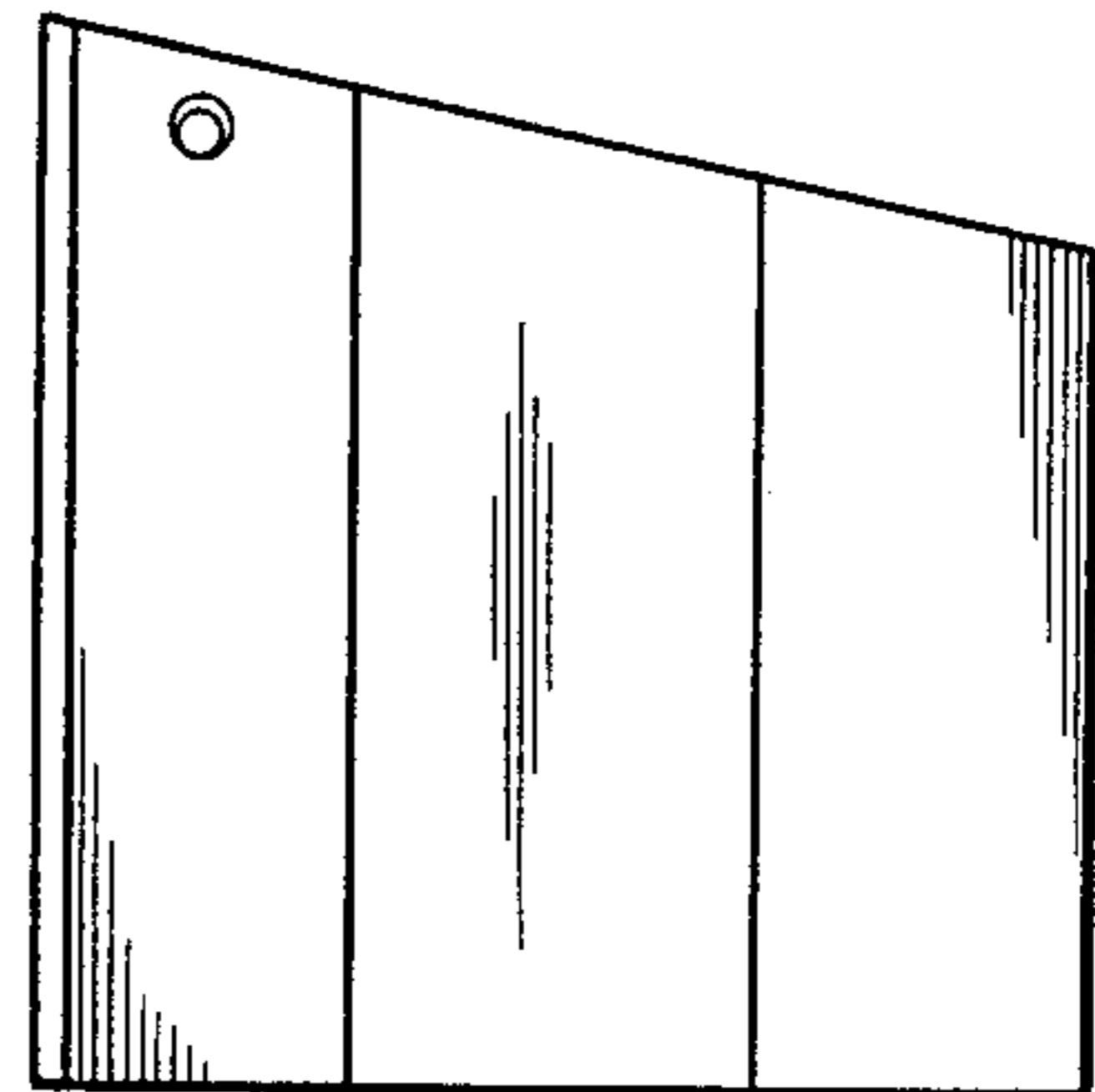


FIG. 7

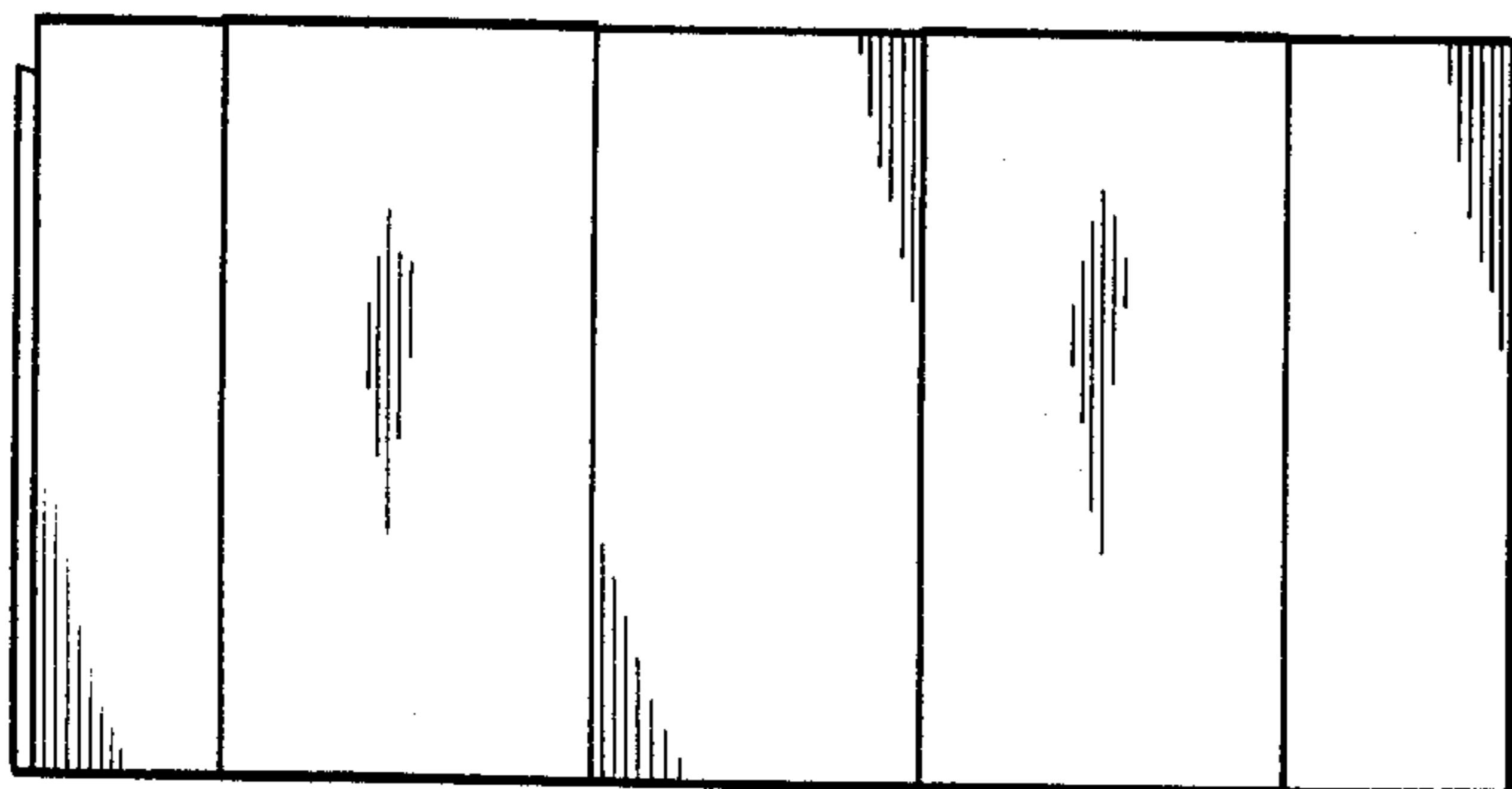


FIG. 5

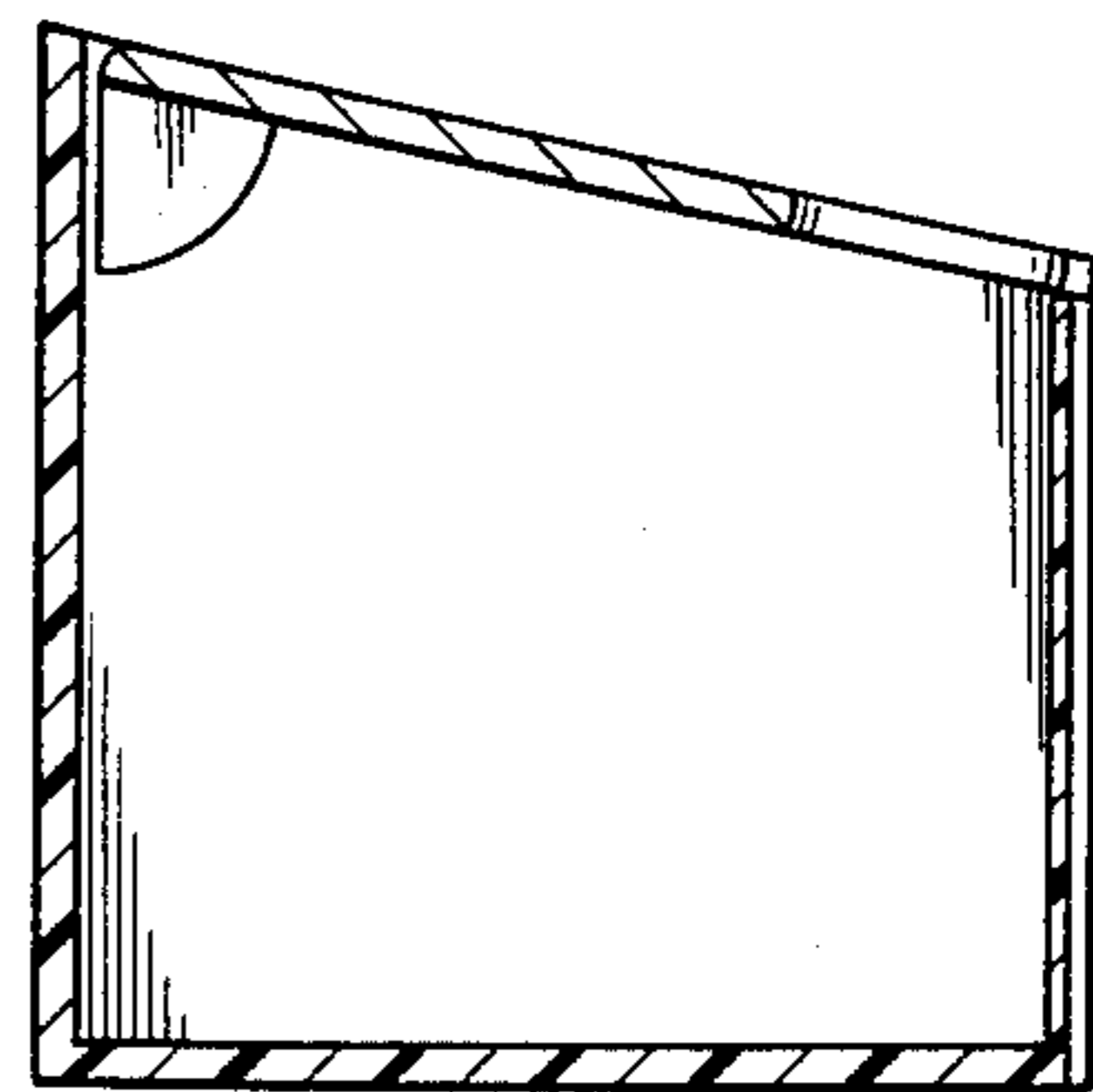


FIG. 8