

[54] **TRUSS**

[76] **Inventor: Otis D. Funk, 3006 E. Washington,
North Little Rock, Ark. 72114**

[**] **Term: 14 Years**

[21] **Appl. No.: 744,400**

[22] **Filed: Jun. 13, 1985**

[52] **U.S. Cl. D25/61**

[58] **Field of Search D25/61, 60, 35; 52/90,
52/33, 642, 731**

[56] **References Cited**

U.S. PATENT DOCUMENTS

D. 184,475	2/1959	Feffer	D25/61
2,904,139	9/1959	Prudhon	D25/61
3,039,152	6/1962	Hillesheim	D25/61

Primary Examiner—A. Hugo Word

[57] **CLAIM**

The ornamental design for a truss, as shown and described.

DESCRIPTION

FIG. 1 is a front end elevational view of a truss showing my new design;
FIG. 2 is a top plan view thereof;
FIG. 3 is a bottom plan view thereof;
FIG. 4 is a side elevational view thereof, the opposite side being a mirror image;
FIG. 5 is a rear elevational view thereof;
FIG. 6 is an enlarged fragmentary perspective view of the apex portion of the truss; and,
FIG. 7 is an enlarged fragmentary perspective view of the corner section of the truss.

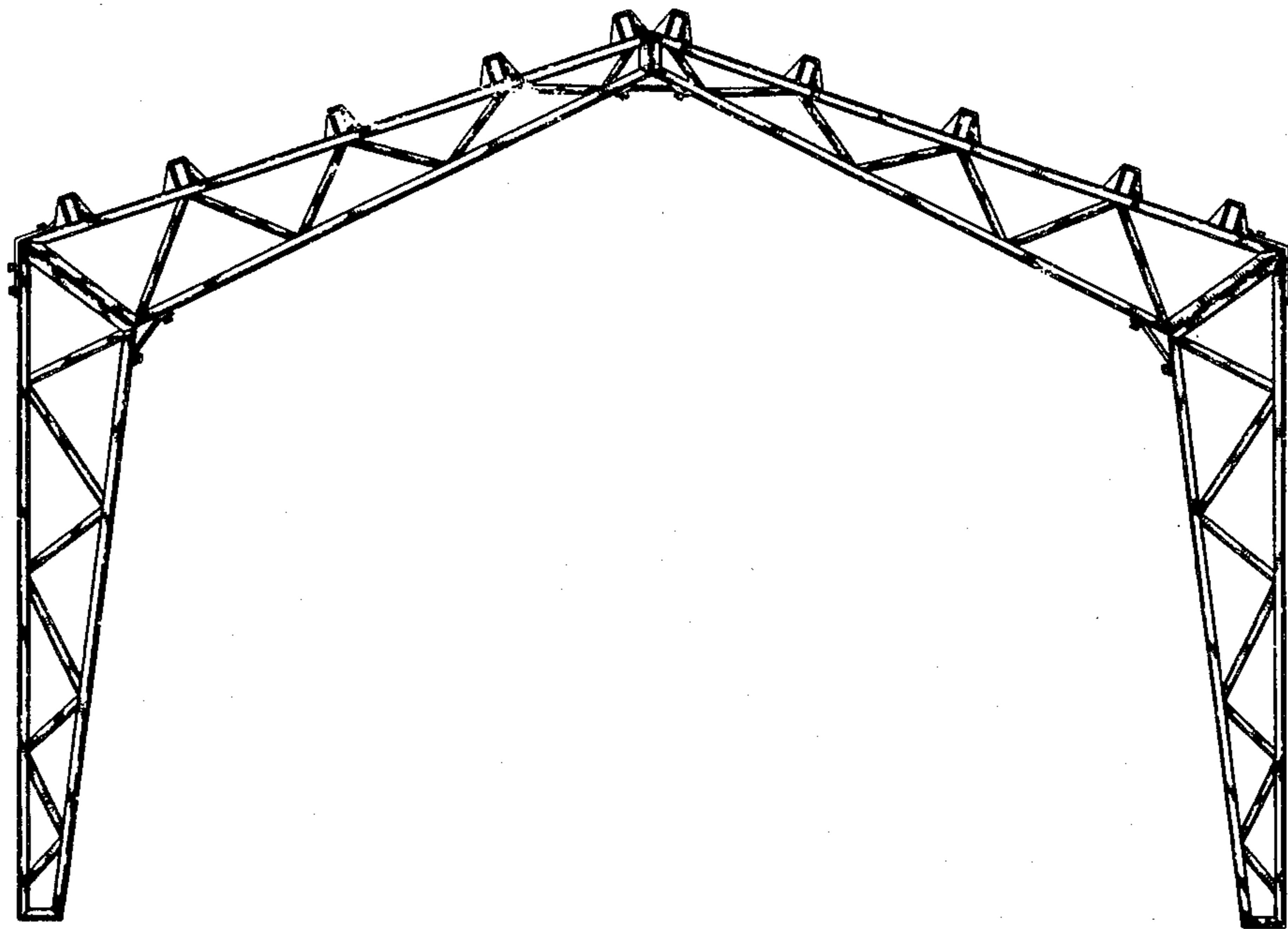




FIG. 2

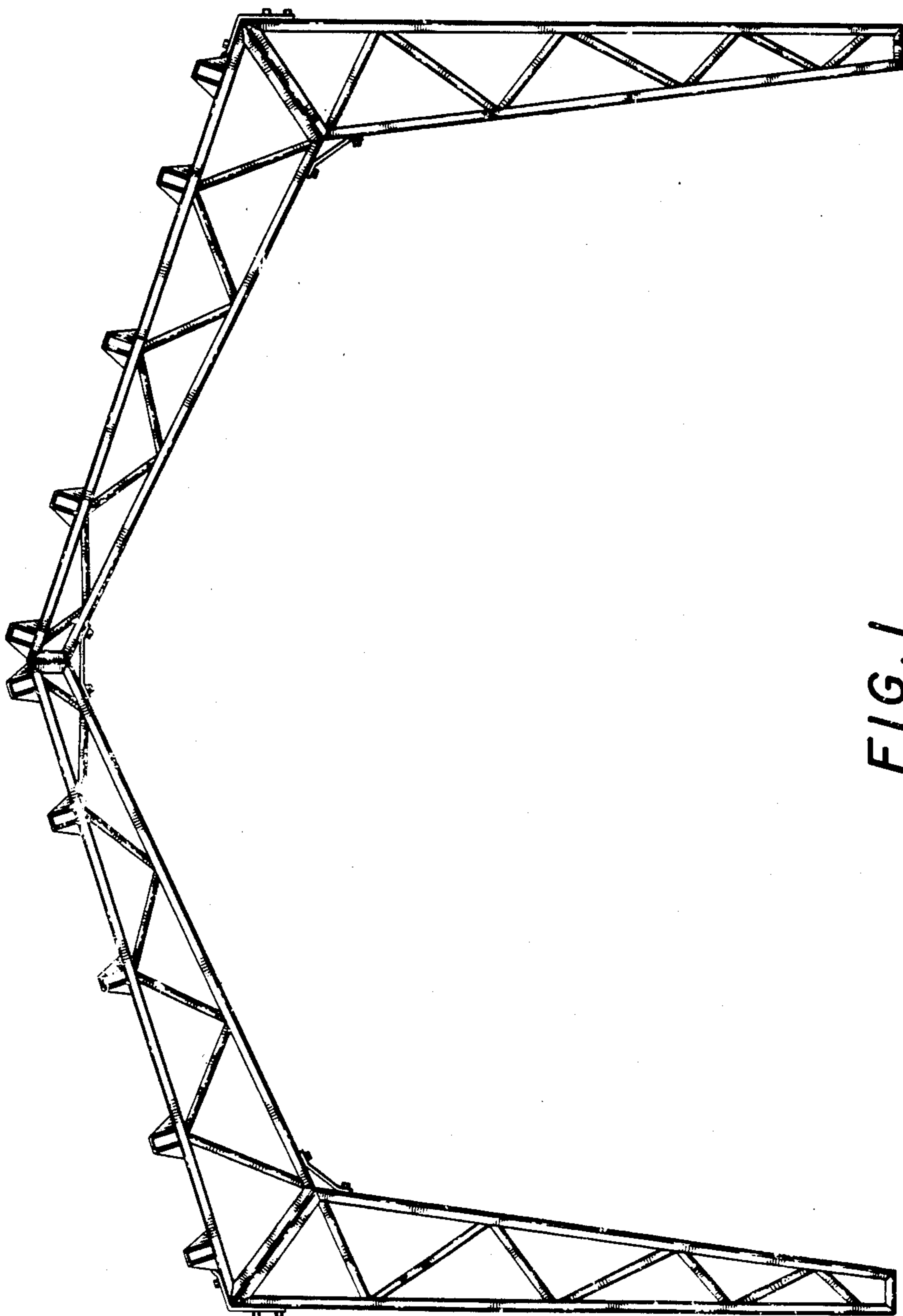


FIG. 1



FIG. 3

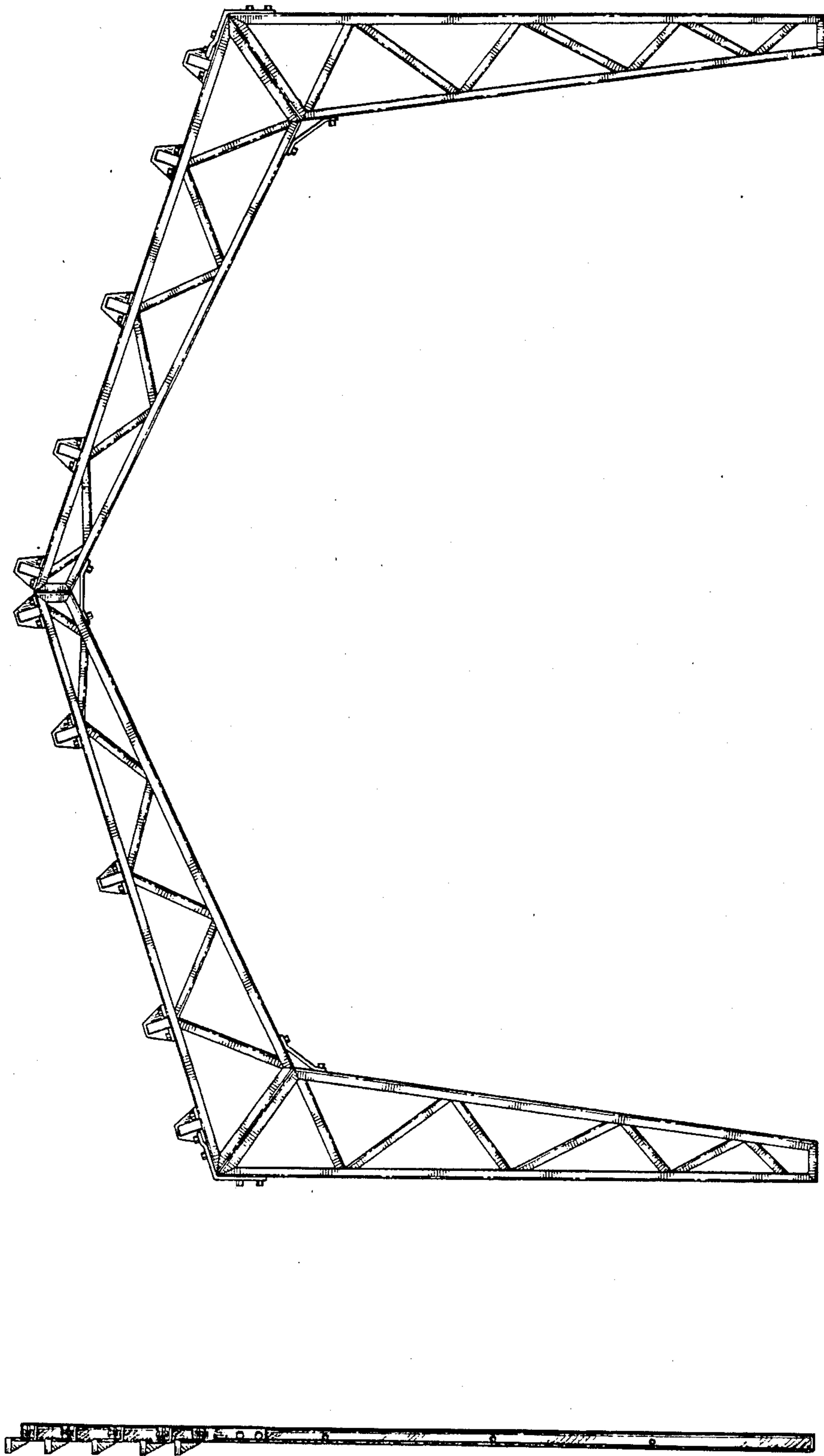


FIG. 5

FIG. 4

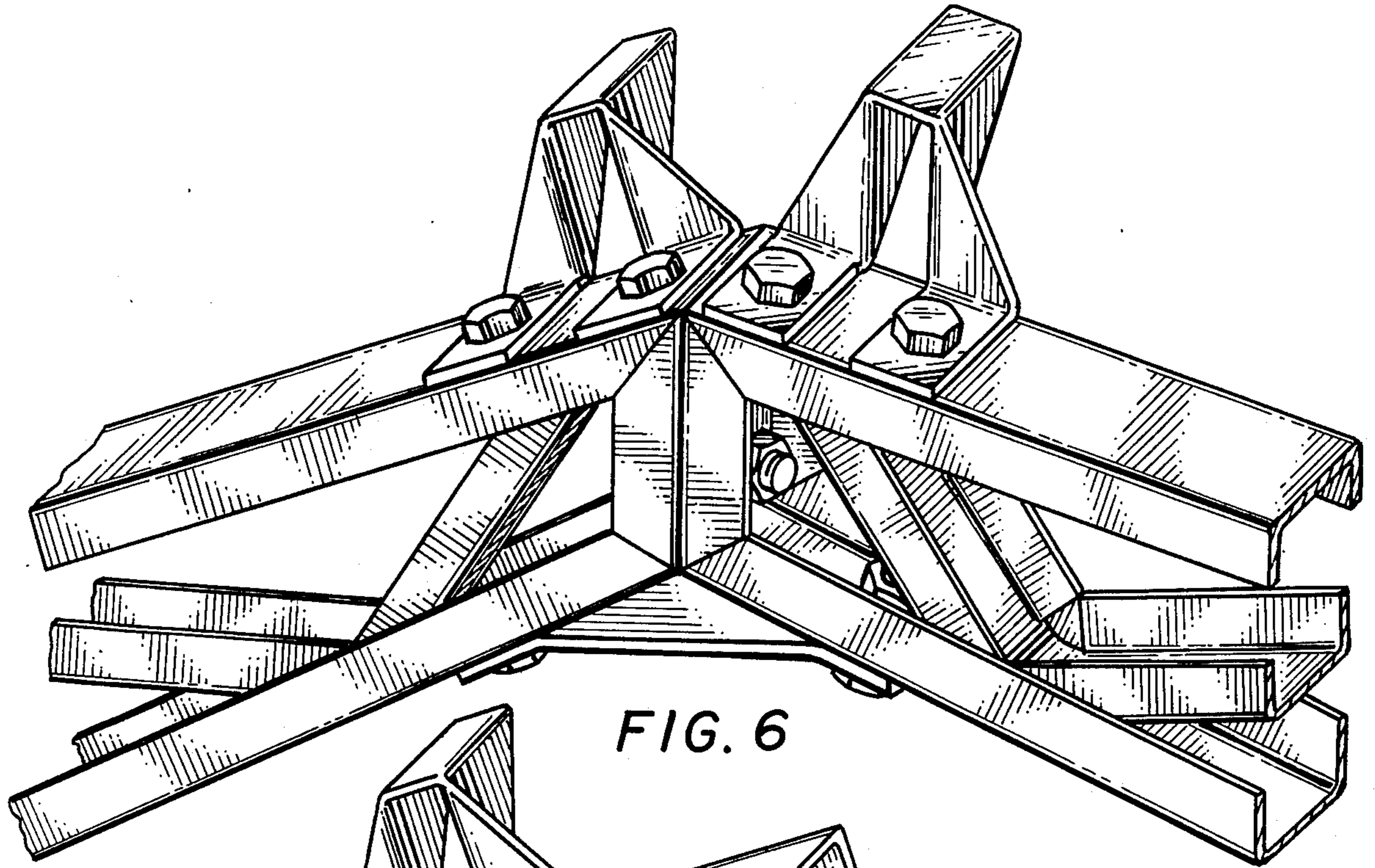


FIG. 6

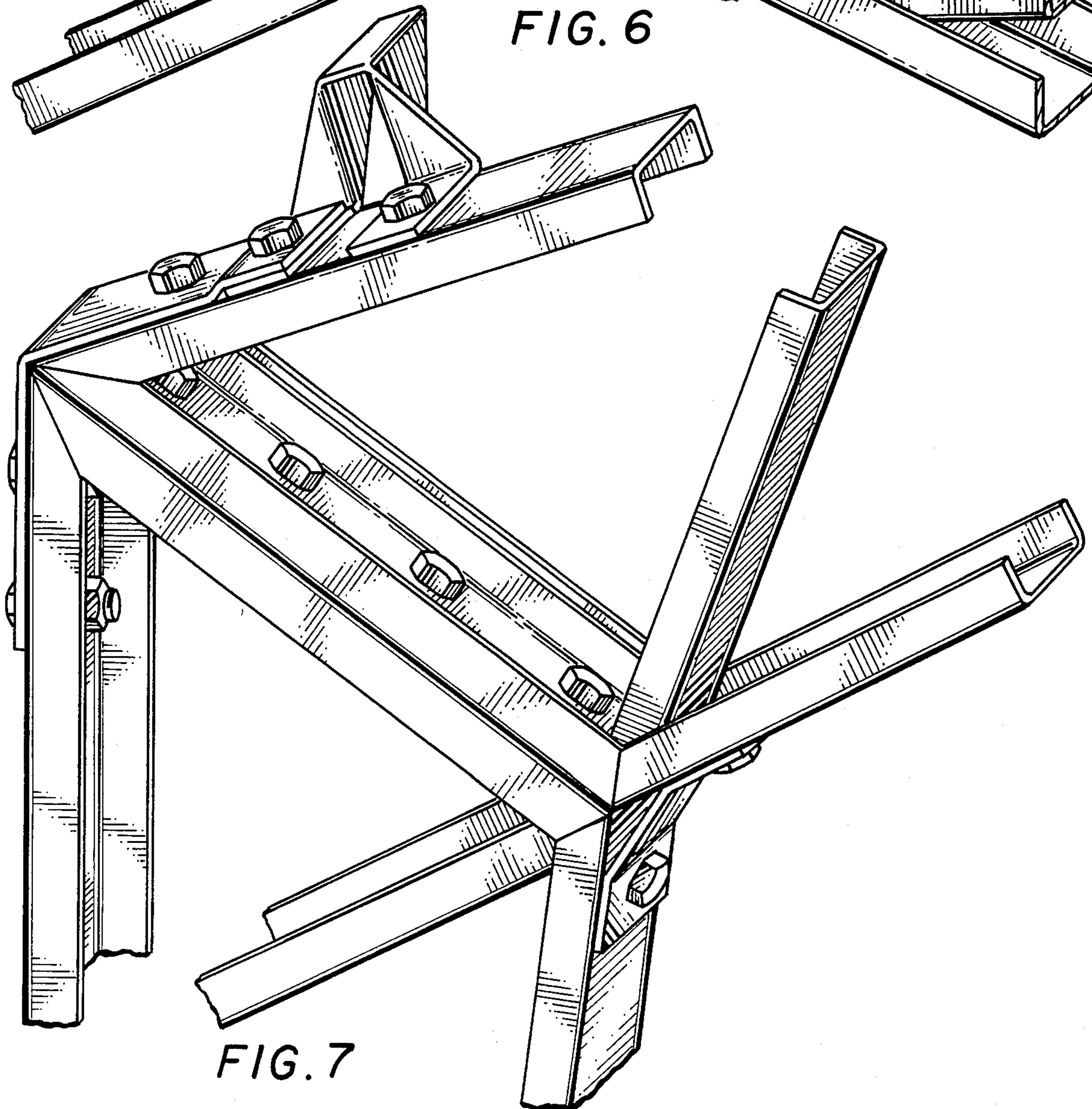


FIG. 7