

[54] SAUNA

[76] Inventors: Laurie S. Hardie, 8 View Ave.,
Surfers Paradise; Leonard J.
Coleman, 5 Seafarer Court, Paradise
Island, both of Queensland,
Australia, 4217

[**] Term: 14 Years

[21] Appl. No.: 827,337

[22] Filed: Feb. 7, 1986

[52] U.S. Cl. D24/37

[58] Field of Search D24/37, 38; 128/367,
128/368, 371, 373, 24.1, 24.2, 33, 36; 4/524,
528, 529, 531

[56] References Cited

U.S. PATENT DOCUMENTS

D. 206,475	12/1966	Gorton	D24/37
D. 207,141	3/1967	Cosper	D24/37
1,358,060	11/1920	Crum	128/367
3,492,678	2/1970	Bennett	D24/37 X
4,565,188	1/1986	Hardie	4/524 X

Primary Examiner—Wallace R. Burke

Assistant Examiner—Stella M. Reid
Attorney, Agent, or Firm—Lackenbach Siegel Marzullo
& Aronson

[57] CLAIM

The ornamental design for a sauna, as shown and de-
scribed.

DESCRIPTION

FIG. 1 is a top, front perspective view of a sauna, show-
ing our new design, in open position;
FIG. 2 is a right side perspective view of FIG. 1 in
closed position;
FIG. 3 is a left side perspective view of FIG. 1 in closed
position;
FIG. 4 is a perspective view of the head end;
FIG. 5 is a perspective view of the hinged end;
FIG. 6 is a top perspective view thereof;
FIG. 7 is a bottom perspective view thereof;
FIG. 8 is a front perspective view thereof with lid open
and with a two-way contoured pillow removed from
the head-end; and
FIG. 9 is a fragmentary elevational view of a second
embodiment of the sauna showing an alternate form of
the panel portion with the remaining portion of the
sauna being omitted for ease of illustration only.

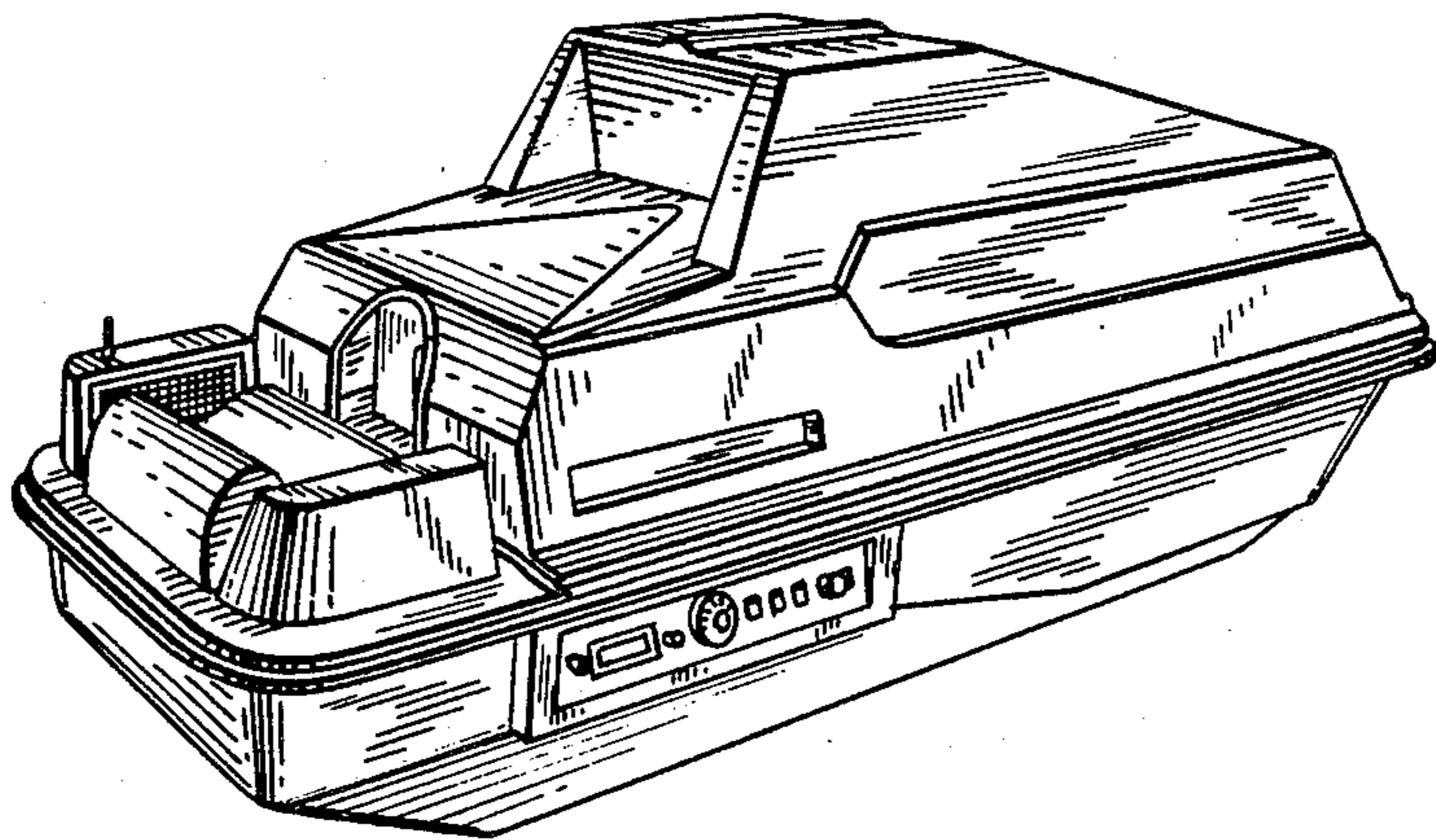


FIG. 1

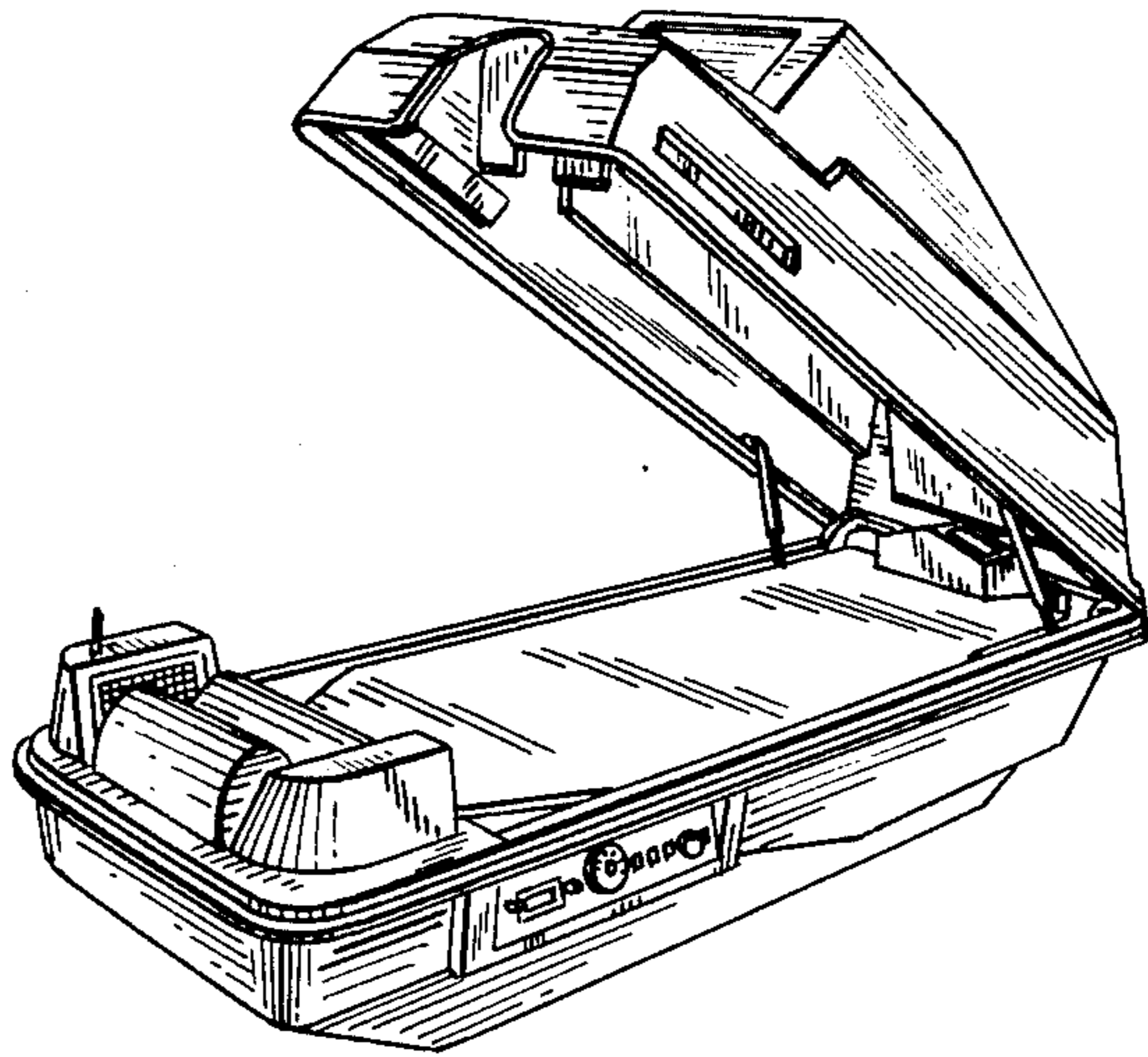


FIG. 2

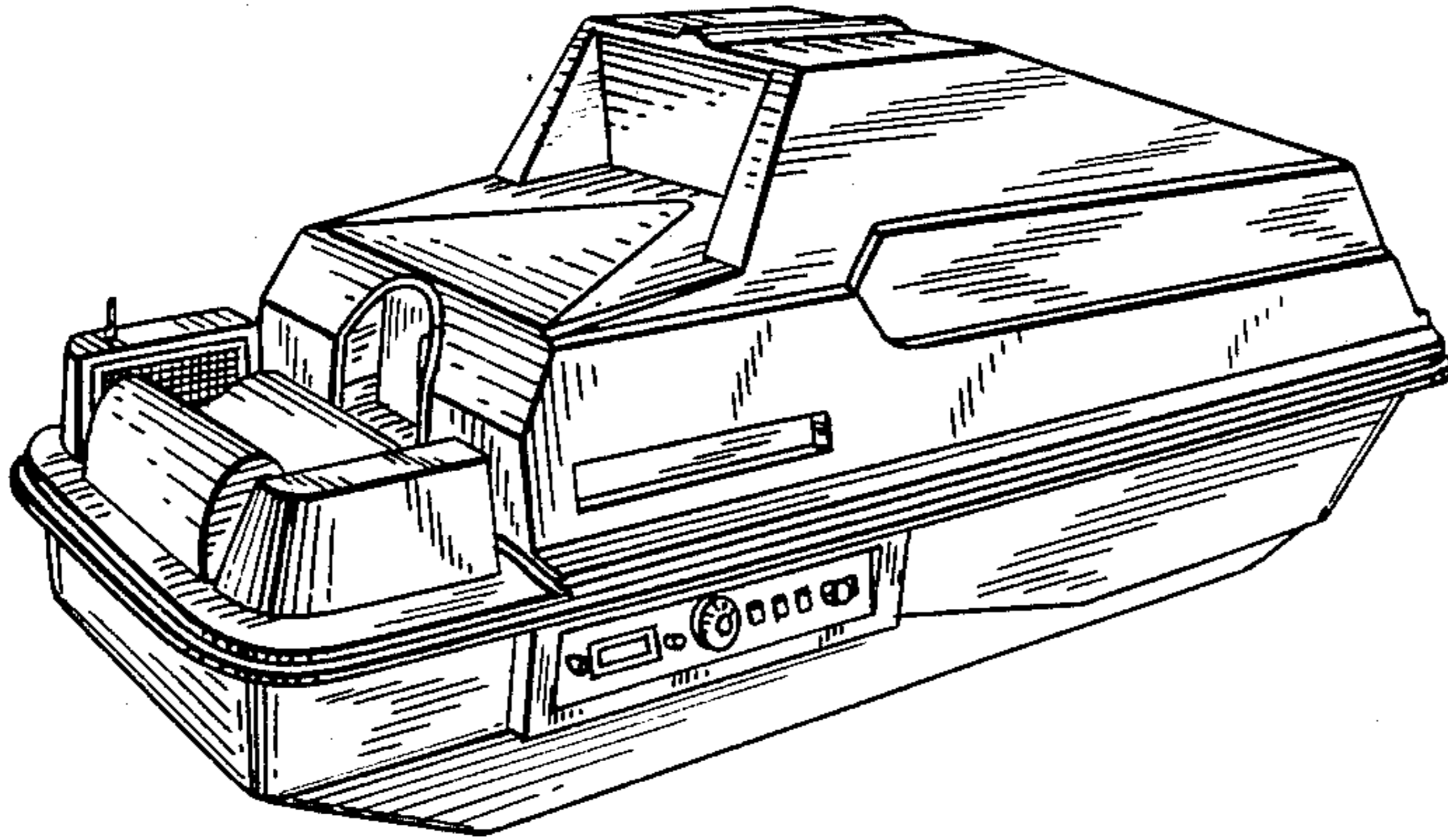


FIG. 3

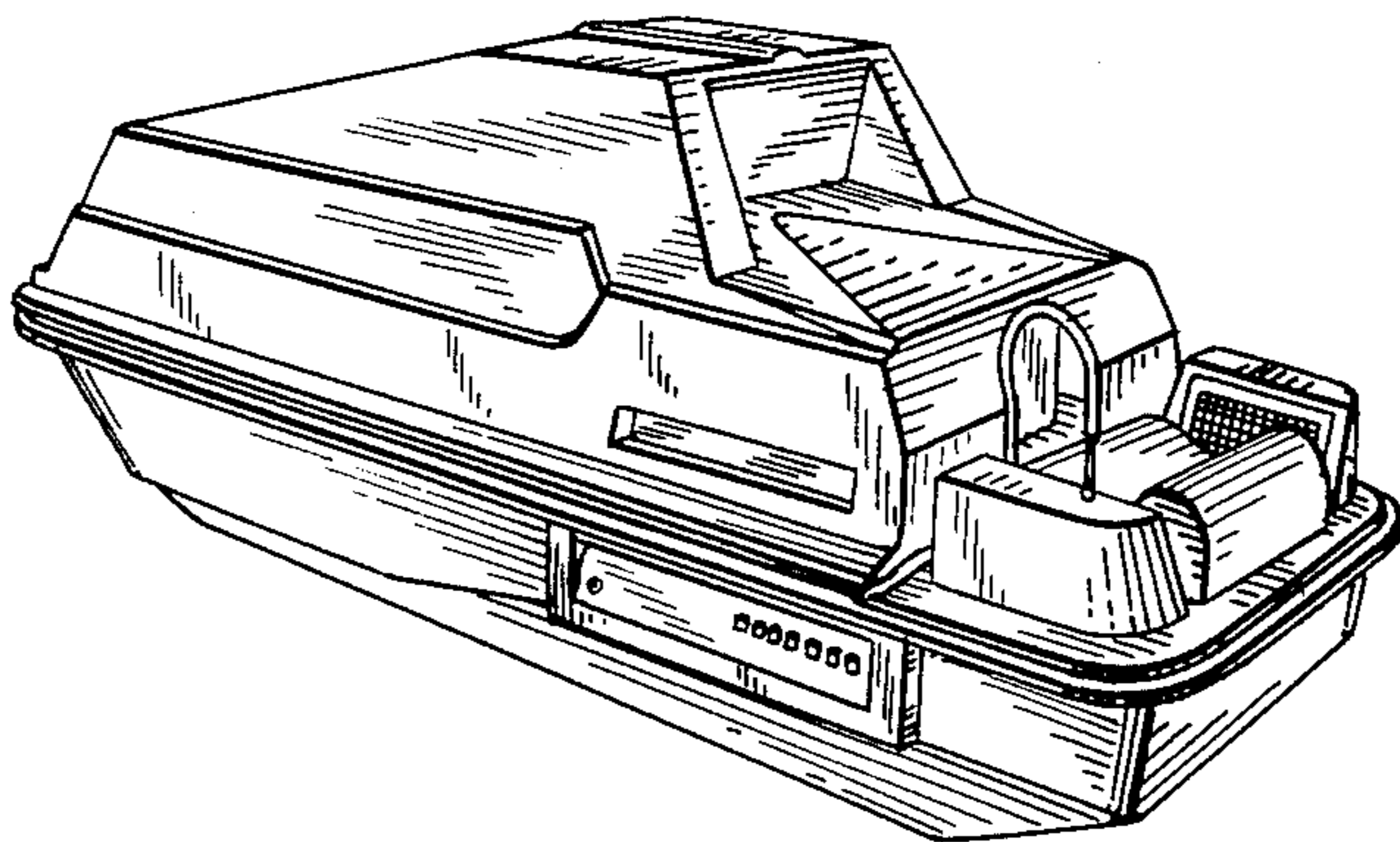


FIG. 4

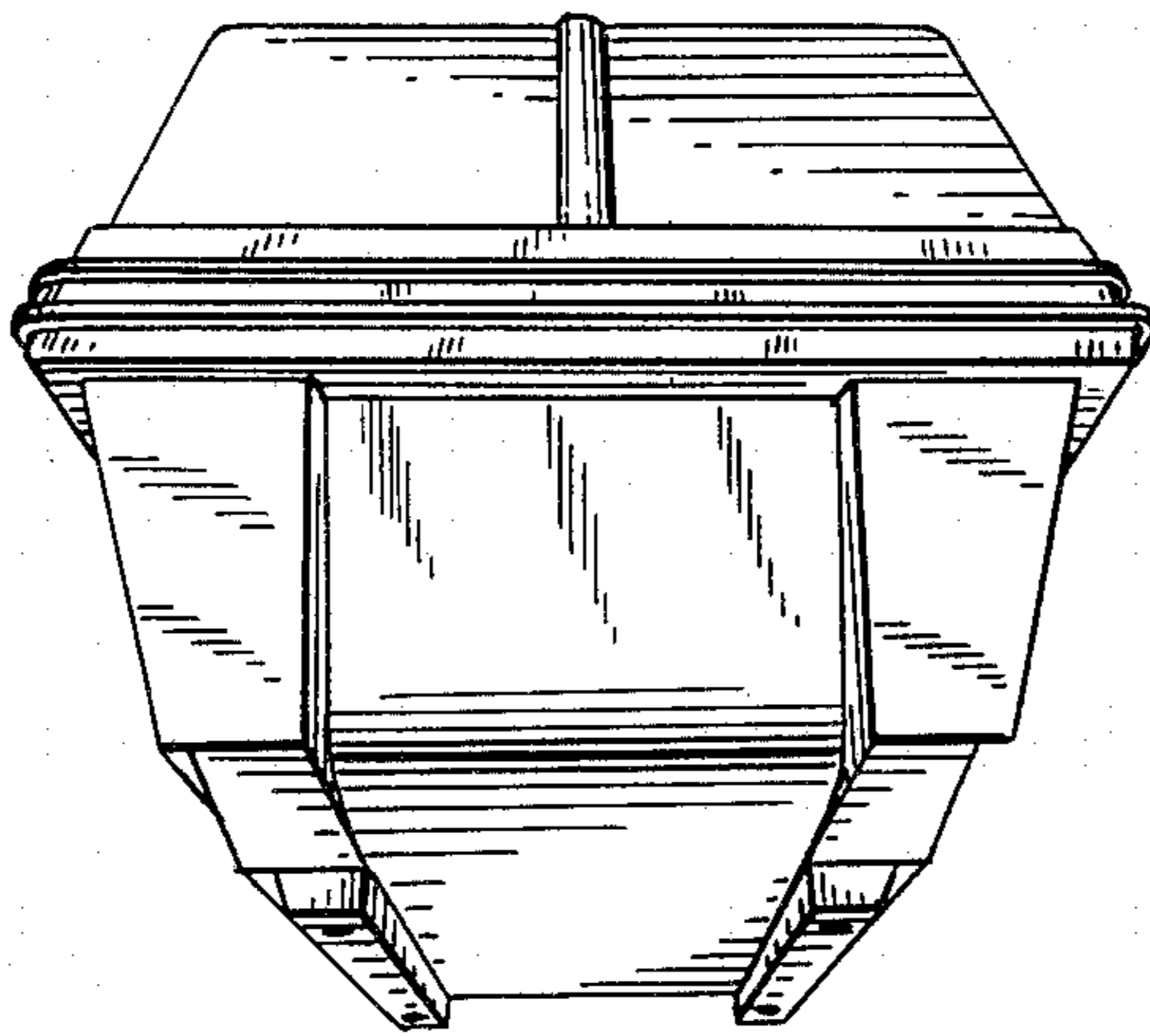
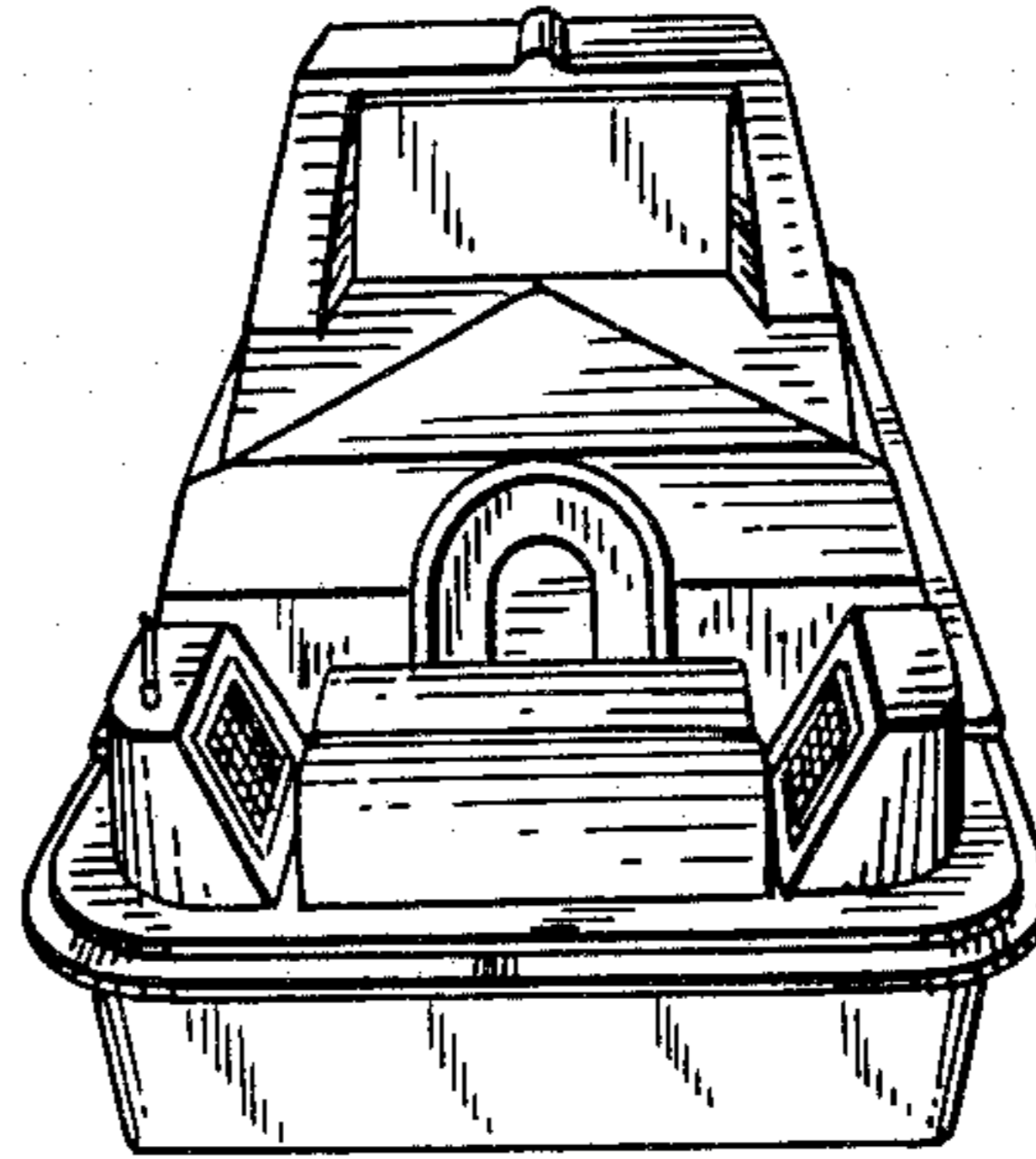


FIG. 5

FIG. 6

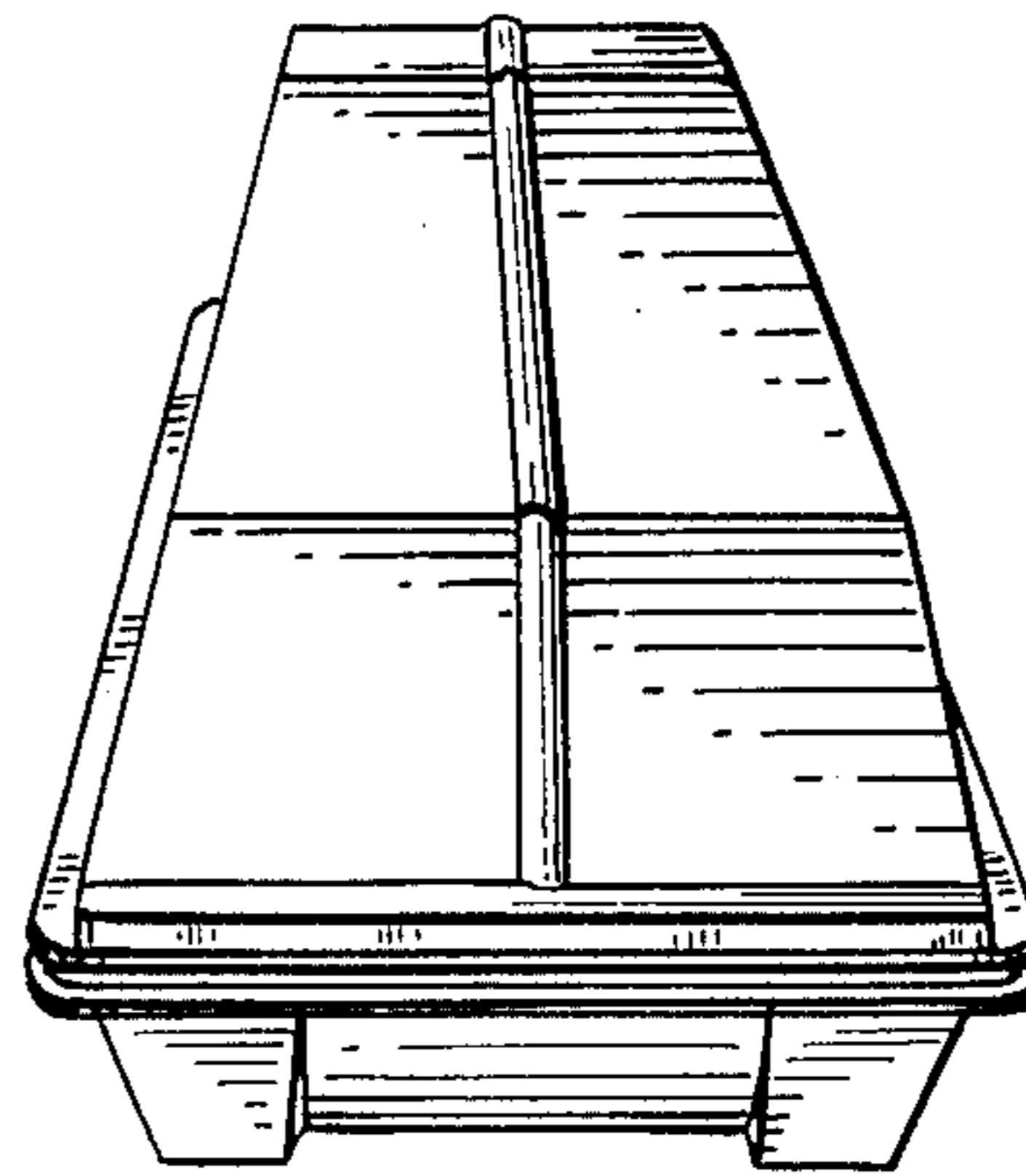


FIG. 7

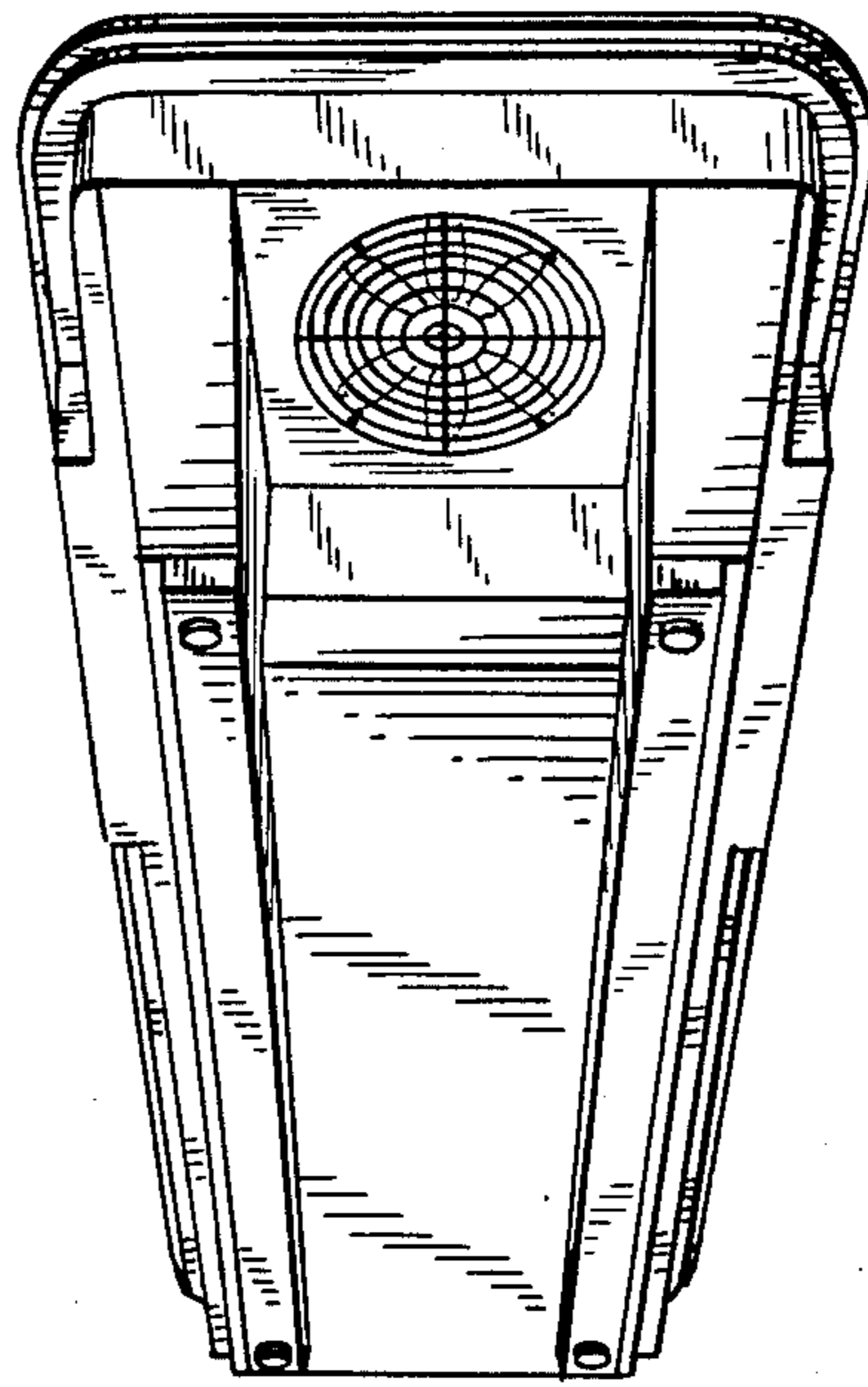


FIG. 8

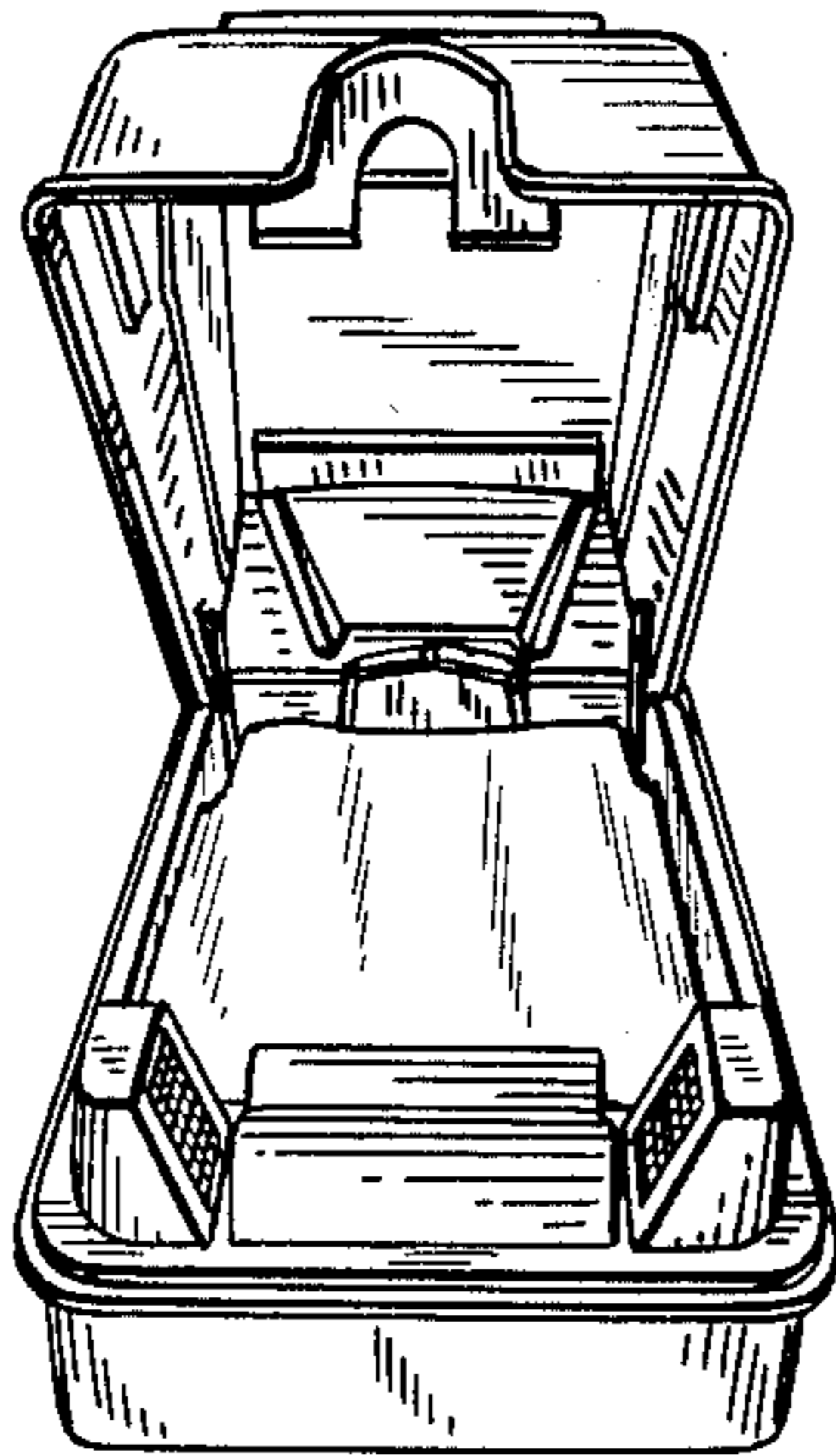


FIG. 9

